

KWC

Professional

Sales Catalogue
East Europe
2025



General Information

Pictures, descriptions and prices correspond to the technical status at the time of printing, but are not binding.

All deliveries are only made in accordance with our General Terms and Conditions of sale.

Prices on request.

Content

Washbasin taps **14**



Stainless steel washbasins **64**



Mineral granite washbasins **86**



Sanitary facilities for the health-care sector **110**



Installation elements for washbasins **134**



Shower taps **138**



AQUA 3000 open **210**



Flush valves **222**



Urinals and WCs **236**



Installation elements for flushing systems **242**



Accessories **250**



Hotel and residential accessories **304**



Hand and hair dryers **316**



Accessible washroom equipment **322**



High-security range **334**



Cleaning basins **366**



Commercial sinks **390**



Emergency showers **400**



Accessories and functional parts **412**



General information **422**





KWC Professional

Experience perfection

KWC Professional is a specialised system and solution provider for sanitary facility equipment and intelligent water management systems for the commercial, public and semi-public sectors. We fulfil the highest requirements in terms of safety, hygiene and durability, and can also offer our customers solutions that are tailored to their needs.

Our main segments include public infrastructure such as healthcare facilities, schools, transport and prisons as well as restaurants, hotels and industrial and office buildings.

KWC Professional encompasses international production and sales locations in Switzerland, Germany, Austria, Great Britain, Finland and the United Arab Emirates.

For over 150 years, KWC Professional has combined tradition and innovation with strong expertise in technology and materials.

We design aesthetically appealing and unmistakable products from high-quality materials, such as 100% recyclable stainless steel or proven mineral granite (MIRANIT).

Our electronics components help to ensure touch-free safety, hygienic usage and energy efficiency.

Elegant and robust: Chrome plated taps

Washroom taps with a polished, chrome-plated surface offer the necessary robustness while simultaneously looking elegant for any type of public, commercial, or semi-public institution. If the wash, shower, and flush taps are properly and gently cleaned and maintained on a regular basis, they will resist high stress in frequently visited facilities for years. The maintenance interval depends on the water quality in the building, the local conditions, and the rules and regulations applicable at the location.

When cleaning taps, you should generally use a suitable cleaning agent that does not harm the surface and use in accordance with the cleaning agent manufacturer's instructions. Only through proper cleaning can the pristine surface finish of the taps be guaranteed. Surface damage caused by improper cleaning is not covered by our warranty. Please follow our cleaning instructions.



Cleaning methods

- Follow the instructions for use from the cleaning agent manufacturers
- Adjust the dose of cleaner and exposure time to the product-specific requirements
- After cleaning, rinse well with clear water and completely remove any product residue that may have remained (otherwise small black spots can appear > long-term damage)
- Under no circumstances should encrustation be removed mechanically
- Prevent limescale from building up by cleaning regularly
- For spray cleaners, do not spray the solution on the taps, but rather onto the cleaning cloth, as the spray mist could penetrate openings and gaps in the taps and cause damage
- Liquid soap, shampoo, and shower gel residues can cause damage and should be removed after use

Cleaning agents and tools

- Only use cleaning agents that are designated for this surface finish
- Do not use acidic cleaning agents such as hydrochloric acid, formic acid, acetic acid, phosphoric acid and sodium hypochlorite
- Cleaning agents for ceramic surfaces (e.g. for wall and floor coverings, WCs and urinals) generally contain acidic components, which makes them unsuitable, and they can destroy the shiny surface in the medium term
- Mixing cleaning agents is not recommended
- Cleaning agents and wipes with an abrasive effect such as scouring agents, sponges and microfibre cloths should not be used
- Do not use high-pressure cleaners



High-quality material: Stainless steel

The use of 304 chrome-nickel steel as the material of first choice for equipment in public and semi-public sanitary facilities has become today's standard for good reason. The material is robust, easy to maintain and therefore particularly cost-effective. Anti-vandalism and easy-to-clean sanitary fittings keep maintenance and servicing costs to a minimum. Material number 1.4301 (AISI 304) is used in accordance with DIN EN 10088. The formula 18/10 stands for up to 18% chrome and up to 10% nickel.

This compound gives the material its special material characteristics: it is resistant to moisture and most acids; it also stands out due to its hardness, resilience, hygiene and high tolerance to heat and cold. Dirt and grease can be easily washed from the smooth, pore-free surface. Scratches and nicks on covers soon lose their hard-edged contours and blend into the surface.



High gloss

Surface that meets high quality standards



Satin finish

Unpolished, robust material finish



Surface finish

The nano-particles of the InnoxPlus[®] technology interlock with the molecules of the metal surface during the refinement process, and nestle in to any microscopic imperfections. This results in an extremely fine surface structure, making finger prints almost invisible.

Cleaning and care

The use of steel wool, scouring powder, grinding power, polishing powder, and sandpaper is not recommended. These products can cause scratches and damage the material. Tougher stains can be removed well with:

- Brushes with natural and plastic bristles
- Fabrics made of chemical and natural fibres
- Microfibre wipes, synthetic fleece, natural leather, sponge wipes, sponges
- High-pressure cleaners, steam cleaners
- Toothpaste
- Household and window cleaners
- Natural substances such as vinegar water (20 % vinegar / 80 % water)
- KWC Professional cleaning and care products:
 - RoChromol cleaning and care product, 500 ml (Item number 2000105091)
 - Care set: RoChromol and 2 abrasive sponges (Item number 2000109019)

Stainless steel – the benefits

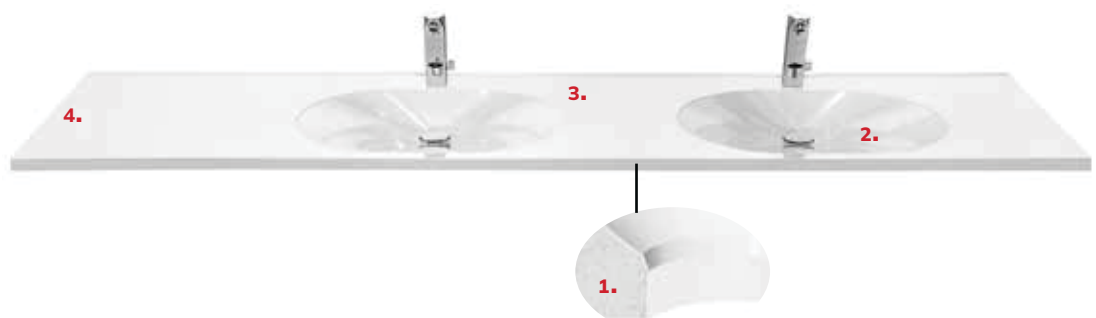
- **Stainless:** Rust only appears as a result of external influences
- **Acid-resistant:** Largely resistant to all commonly available acids used in the household
- **Hygienic:** Outstanding disinfection capability against bacteria and viruses
- **Easy-care:** Easy to clean, even when extremely dirty
- **Impact-resistant and tear-proof:** Resistant to mechanical stress
- **Heat and fire-proof:** Cigarettes or hot items do not cause burn marks
- **100% recyclable:** New stainless steel is made from at least 65% recycled steel



Stable and elegant: MIRANIT

Seamlessly created from a single cast, MIRANIT products cut an impressive figure due to properties such as high stability, an elegant appearance, and – thanks to the smooth, pore-free, hygienic and easy-care gel coat surface – outstanding resistance. MIRANIT stands for the stable compound consisting of approximately 80% natural minerals – such as marble powder, sandstone and quartz sand – and approximately 20% high-quality unsaturated polyester resin.

Due to its excellent fluidity, the resin-bonded mineral material can also be used to create products of almost any shape with a minimal material thickness too. In addition to the Alpine white colour, other colours can be implemented upon request. The broad range of mineral granite products in washrooms, public and semi-public institutions such as sports facilities, hotels, restaurants, schools, kindergartens and even clinics, care facilities as well as industrial and commercial enterprises cut an impressive figure as a standard or customised solution for ideal room utilisation.



Cleaning and care

The gel coat surface is dirt repellent and particularly easy to clean. In most cases, a damp cloth is all you need for cleaning the wash basins, multiple washing facilities and cleaning basins.

Tougher stains can be removed with mild, non-abrasive cleaning agents. This also applies to colour pencil traces, shoe polish, ink, iodine solution and lipstick. Stains that can result from cigarette ash, for example, can be removed with a polishing paste.

For a long-lasting shine, it is advisable to occasionally rub MIRANIT fixture products with a polishing agent from KWC Professional accessory range or with commercially available car polish and then immediately re-polish the treated surfaces.

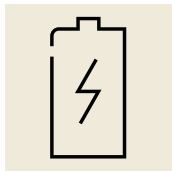
KWC Professional care product:
Polishing agent for MIRANIT products with a gel coat surface (shiny), contents 125 ml
(Item number 2000110575)

Mineral granite - benefits compared to sanitary ceramics

- 1. Impact-resistant and break-proof** material compound for great stability with thin material thickness
- 2. Clear design language** due to very flat surfaces and small radii
- 3. Pore-free, hygienic**, and high-polished gel coat surface in the standard Alpine white colour; temperature-resistant up to 80°C
- 4. The length** of recessed wash basins **can be adapted** with an angle grinder up to a total length of 3.60 m at the customer's premises
 - Gel coating is **resistant to chemical and physical stress**, e.g. when using disinfectants
 - Surface damage **can be mended with special repair sets** and can be machined mechanically

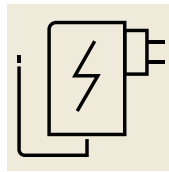


Symbols – Overview and meaning



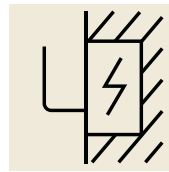
Battery operation

- portable function
- battery included in the scope of delivery



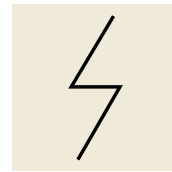
Plug-in power supply unit

- included in the scope of delivery



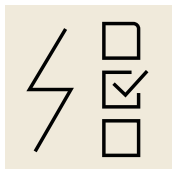
Power supply unit

- included in the scope of delivery
- installed, e.g. in the tap's flush-mounting box or flush-mounting cabinet



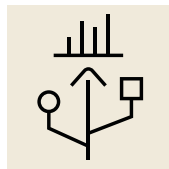
Separate power supply

- power supply unit from the accessory program required
- central power supply, e.g. for several taps



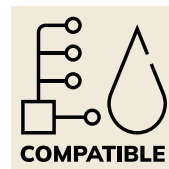
Select power supply

- battery or power supply unit from the accessory range required



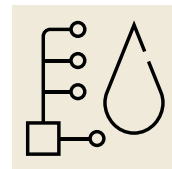
Statistical data storage

- automatic storage of hygiene-related functions in the electronics along with the date, time and frequency of use
- read via a bi-directional remote control from the accessory program



AQUA 3000 open-compatible

- option to combine with a suitable electronics module for connection to the AQUA 3000 open water management system of F5E taps



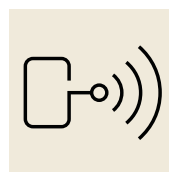
AQUA 3000 open

- network-compatible tap
- the electronic module is included in the scope of delivery
- AQUA 3000 open system accessories must be ordered separately and tailored to a particular premises



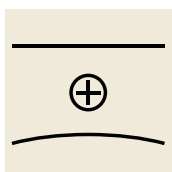
C module compatible

- option to combine with C module for controlling and parameterising compatible taps, also in groups (up to 100) via the associated KWC Smart Connect app

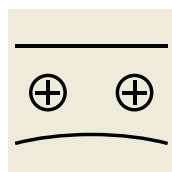


C module

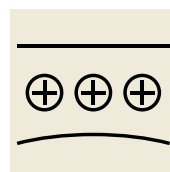
- the C module is included in the scope of delivery
- tap functions can be controlled and parameterised in groups
- wireless networking of up to 100 taps possible via KWC Smart Connect app



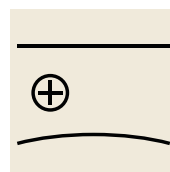
central tap hole is possible



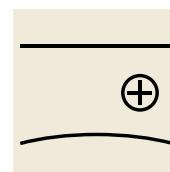
tap hole possible on the right or left



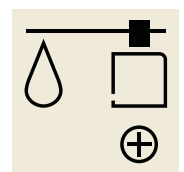
position of tap holes can be freely selected



tap hole only possible on the left



tap hole only possible on the right

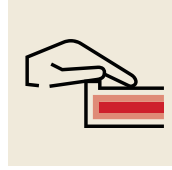


soap dispenser hole possible



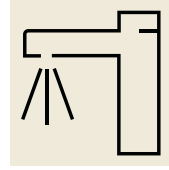
Anti-vandalism

- Special product solutions in relation to installation type and material for facilities at risk of vandalism



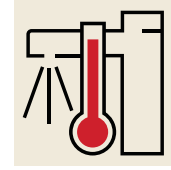
Safe-Touch housing

- protection against scalding if the skin comes into contact with the valve body



Water hygiene flushing

- activated water hygiene flushing, factory-set



Thermal disinfection

- option to perform thermal disinfections
- manual or automatic (depending on the tap version)



FRAMIC inside

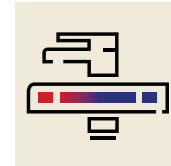
Fitting Range with Modular Innovation Cartridge

- patented, first ceramic self-closing cartridge for F5S hydraulic taps
- stagnation-free, flow pressure-independent functionality



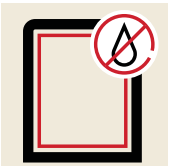
THERM inside

- first ceramic thermostat cartridge for single lever mixers in the F5LT and F4LT-Med lines
- water is dispensed at a constant temperature, regardless of the flow pressure
- intrinsically safe from hot or cold water backflow



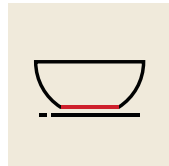
Decoupled water line

- F4LT-Med single lever mixer wall-mounted mixers are fitted with thermally insulating components which reduce the transmission of heat from the tap housing to the cold water pipe
- the smooth water pipes, which are decoupled from the housing, reduced the water volume and are made of low-lead brass (lead content $\leq 0.2\%$) and have no nickel coating



Sliding adhesive flange

- the system box with patented sliding adhesive flange guarantees secure water-proofing in buildings with wall-mounted taps
- continuously adjustable with flexible sealing collar
- watertight, permanently elastic, crack bridging



Integrated seal

- a seal that is integrated into the mounting edge from below enables the countertop washbasin to be installed quickly and cleanly on the frame
- additional sealing with silicone is no longer necessary



InoxPlus surface refinement

- refinement of stainless steel surfaces
- nano-particles intermesh with the molecules of the metal surface and cling tightly to the microscopic irregularities.
- the ultra-fine structure makes fingerprint marks virtually invisible



Self-closing, electronic, single lever mixers

Automatically functioning taps in various styles and designs help to save water and energy in public, semi-public and commercial washrooms which have high traffic and frequently changing users. Reliable technologies ensure convenience and safety.

The product range extends from self-closing and electronic taps, which can be made network-compatible with the aid of accessories, to single lever mixers with additional hygiene options, hybrid fittings and fitting units.

Washbasin taps

F7 electronic valves and mixers	16
F5 self-closing valves and mixers	21
F5 electronic valves and mixers	24
F5 single-lever mixer	36
F5 hybrid kitchen fitting	38
F5 hybrid washbasin tap	41
F3 self-closing valves and mixers	42
F3 electronic valves and mixers	44
Self-closing taps, electronic taps	48
Fitting units for row washbasin systems	51
FX-M wash place units	56
Accessories	60

Our F4LT-Med thermostatic single-lever mixers for use in the health and care sector can be found in the chapter "Sanitary facilities for the healthcare sector".

KWC F7E electronic taps - optionally with C module



Modular system

The so-called connectivity module (C-module) enables the fitting to be controlled and parameterised independently of the power supply via battery or power supply unit.

Direct connection between the fitting and the app

The C module ensures connection between the fitting and the app. It can be connected directly to the armature cable under the washbasin using a clip integrated in the module housing.

KWC Smart Connect App

Up to 100 fittings can be managed securely with the KWC Smart Connect app as they are password-protected. This means that, even at sanitary room level, grouped tap functions are possible without additional investment in higher-level control hardware. Individual settings such as water flow time or sensor range can be parameterised. General information, e.g. on the battery status, is displayed.



KWC Smart Connect App

Product features

- Suitable for external battery, mains or AQUA 3000 open operation
- The components are not visibly installed for the user
- With the option of parametrisation via C module and associated KWC Smart Connect app or via bidirectional remote control
- Preset hygiene flushing after 24 hours of non-use
- Stores statistical data



Option with power supply unit



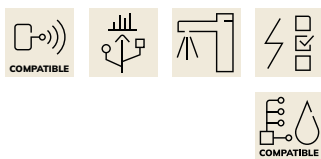
Option with battery



C-module



Type Article Number



F7E electronic pillar tap

F7E pillar tap DN 15 for sanitary facilities, opto-electronically controlled. For connection to pre-mixed hot or cold water via hose and strainer. Control electronics, solenoid valve and sensor in stainless steel housing, brushed surface, **outlet height 115 mm and projection 125 mm**. Angle-adjustable and anti-theft aerator with integrated flow regulator 5.7 l/min. Activated water hygiene flushing 24 hours after last activation, safety switch-off with continuous reflection and saving of statistical data. With option for parameterization and communication via optional bidirectional remote control or C module with the necessary app. Optionally for battery operation with battery compartment including 6 V lithium battery (CR-P2) per fitting, for installation below the washbasin, or for separate power supply via power supply unit 6.75 V/12 V DC or AQUA 3000 open system accessories.



Battery compartment including battery or power supply unit with extension cable must be ordered separately.

F7EV1001 3600001255

Mandatory accessories (optionally)

Battery compartment including 6 V battery

ACEX9023 3600002063

Power supply unit

ACEX9001 2030039477

Extension cable 5 m (per tap)

ACEX9010 2030043814

Plug-in power supply unit

ACEX9022 3600002062

Power supply for installation in the wall with connecting cable 1 m

ACEX9003 2030039825

Optional accessories

C module

ACEX9020 3600001331

Electronic module EM5 with ID 02130

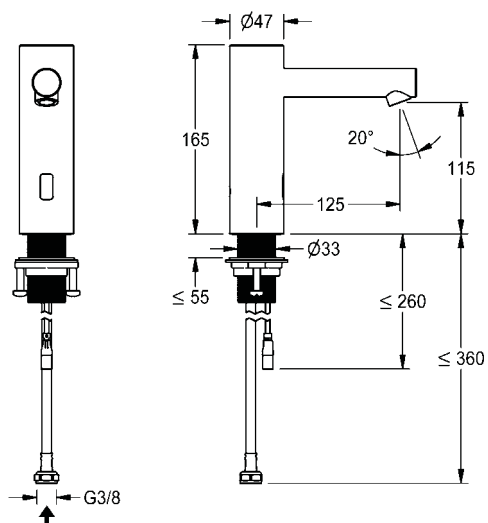
ACEV1004 2030068759

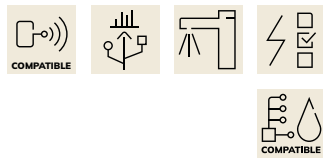
Electronic module EM5 with ID 02130, with flush box

ACEX1007 3600004310

Bidirectional remote control, two-button remote control, see page 63

AQUA 3000 open system accessories, see "AQUA 3000 open" section





F7E electronic pillar tap

F7E pillar tap DN 15 for sanitary facilities, opto-electronically controlled. For connection to pre-mixed hot or cold water via hose and strainer. Control electronics, solenoid valve and sensor in stainless steel housing, brushed surface, **outlet height 245 mm and projection 180 mm**. Angle-adjustable and anti-theft aerator with integrated flow regulator 5.7 l/min. Activated water hygiene flushing 24 hours after last activation, safety switch-off with continuous reflection and saving of statistical data. With option for parameterization and communication via optional bidirectional remote control or C module with the necessary app. Optionally for battery operation with battery compartment including 6 V lithium battery (CR-P2) per fitting, for installation below the washbasin, or for separate power supply via power supply unit 6.75 V/12 V DC or AQUA 3000 open system accessories.



Battery compartment including battery or power supply unit with extension cable must be ordered separately.

F7EV1002	3600001258
-----------------	------------

Mandatory accessories (optionally)

Battery compartment including 6 V battery

ACEX9023	3600002063
-----------------	------------

Power supply unit

ACEX9001	2030039477
-----------------	------------

Extension cable 5 m (per tap)

ACEX9010	2030043814
-----------------	------------

Plug-in power supply unit

ACEX9022	3600002062
-----------------	------------

Power supply for installation in the wall with connecting cable 1 m

ACEX9003	2030039825
-----------------	------------

Optional accessories

C module

ACEX9020	3600001331
-----------------	------------

Electronic module EM5 with ID 02140

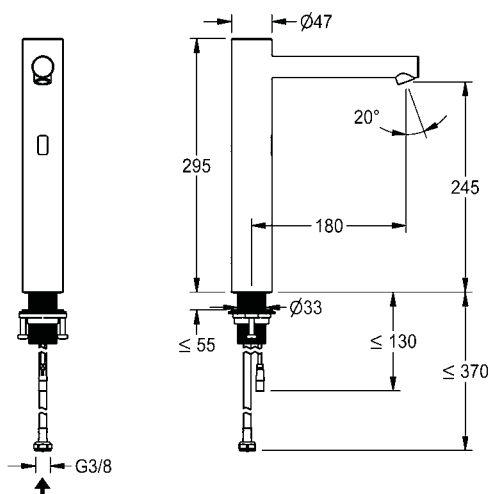
ACEX1008	3600004311
-----------------	------------

Electronic module EM5 with ID 02140, with flush box

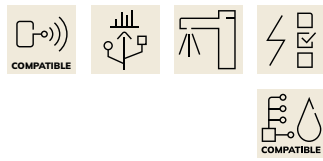
ACEX1009	3600004313
-----------------	------------

Bidirectional remote control, two-button remote control, see page 63

AQUA 3000 open system accessories, see "AQUA 3000 open" section



Type	Article Number
------	----------------



F7E electronic pillar mixer

F7E-Mix pillar mixer DN 15 for sanitary facilities, opto-electronically controlled. For connection to hot and cold water via hoses with integrated backflow preventers and strainers. Control electronics, solenoid valve and sensor in stainless steel housing, brushed surface, **outlet height 115 mm and projection 125 mm**. Stainless steel temperature lever with adjustable, turn-proof temperature stop. Angle-adjustable and anti-theft aerator with integrated flow regulator 5.7 l/min. Activated water hygiene flushing 24 hours after last activation, safety switch-off with continuous reflection and saving of statistical data. With option for parameterization and communication via optional bidirectional remote control or C module with the necessary app. Optionally for battery operation with battery compartment including 6 V lithium battery (CR-P2) per fitting, for installation below the washbasin, or for separate power supply via power supply unit 6.75 V/12 V DC or AQUA 3000 open system accessories.

Battery compartment including battery or power supply unit with extension cable must be ordered separately.

F7EM1001	3600001257
-----------------	------------

Mandatory accessories (optionally)

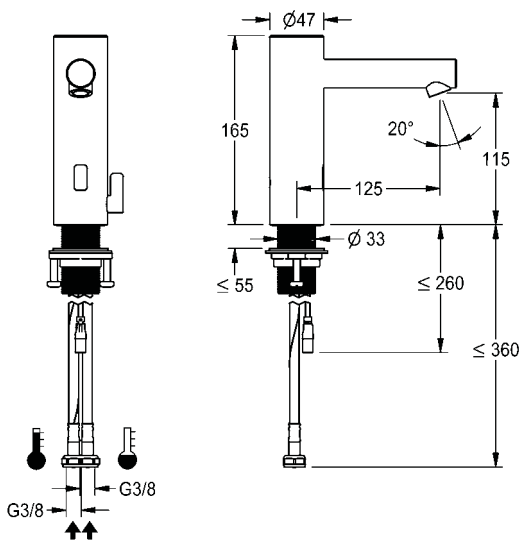
Battery compartment including 6 V battery	ACEX9023	3600002063
Power supply unit	ACEX9001	2030039477
Extension cable 5 m (per tap)	ACEX9010	2030043814
Plug-in power supply unit	ACEX9022	3600002062
Power supply for installation in the wall with connecting cable 1 m	ACEX9003	2030039825

Optional accessories

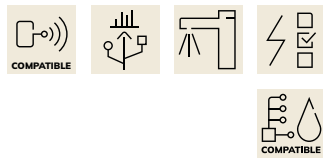
C module	ACEX9020	3600001331
Electronic module EM5 with ID 02130	ACEV1004	2030068759
Electronic module EM5 with ID 02130, with flush box	ACEX1007	3600004310

Bidirectional remote control, two-button remote control, see page 63

AQUA 3000 open system accessories, see "AQUA 3000 open" section



Type	Article Number
------	----------------



F7E electronic pillar mixer

F7E-Mix pillar mixer DN 15 for sanitary facilities, opto-electronically controlled. For connection to hot and cold water via hoses with integrated backflow preventers and strainers. Control electronics, solenoid valve and sensor in stainless steel housing, brushed surface, **outlet height 245 mm and projection 180 mm**. Stainless steel temperature lever with adjustable, turn-proof temperature stop. Angle-adjustable and anti-theft aerator with integrated flow regulator 5.7 l/min. Activated water hygiene flushing 24 hours after last activation, safety switch-off with continuous reflection and saving of statistical data. With option for parameterization and communication via optional bidirectional remote control or C module with the necessary app. Optionally for battery operation with battery compartment including 6 V lithium battery (CR-P2) per fitting, for installation below the washbasin, or for separate power supply via power supply unit 6.75 V/12 V DC or AQUA 3000 open system accessories.

Battery compartment including battery or power supply unit with extension cable must be ordered separately.

F7EM1002	3600001259
-----------------	------------

Mandatory accessories (optionally)

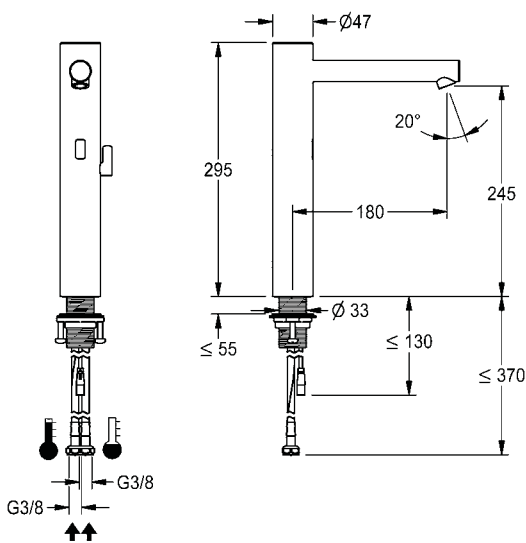
Battery compartment including 6 V battery	
ACEX9023	3600002063
Power supply unit	
ACEX9001	2030039477
Extension cable 5 m (per tap)	
ACEX9010	2030043814
Plug-in power supply unit	
ACEX9022	3600002062
Power supply for installation in the wall with connecting cable 1 m	
ACEX9003	2030039825

Optional accessories

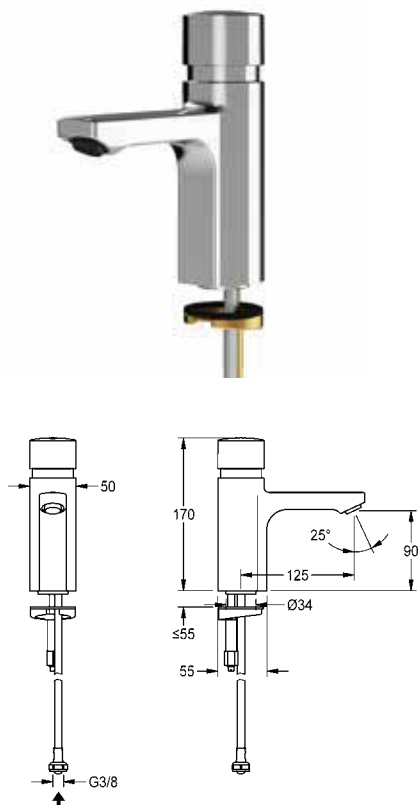
C module	
ACEX9020	3600001331
Electronic module EM5 with ID 02140	
ACEX1008	3600004311
Electronic module EM5 with ID 02140, with flush box	
ACEX1009	3600004313

Bidirectional remote control, two-button remote control, see page 63

AQUA 3000 open system accessories, see "AQUA 3000 open" section



KWC F5 self-closing valves and mixers

**F5S self-closing pillar tap**

F5S self-closing pillar tap DN 15 for sanitary facilities. FRAMIC self-closing cartridge, hydraulically controlled, low-maintenance and stagnation-free, with ceramic disc technology, self-closing, flow pressure-independent due to medium-separated design. Stepless adjustment of flow duration. For connection to pre-mixed hot water or cold water via hose including strainer seal. All-metal construction, high-polished chromium-plated brass. Anti-theft aerator, SLIM design, with integrated flow regulator 5.0 l/min.

F5SV1001 2030036165

with flow regulator 3.0 l/min

F5SV1002 2030039426

Optional accessories

Socket for F5S self-closing pillar taps and pillar mixer

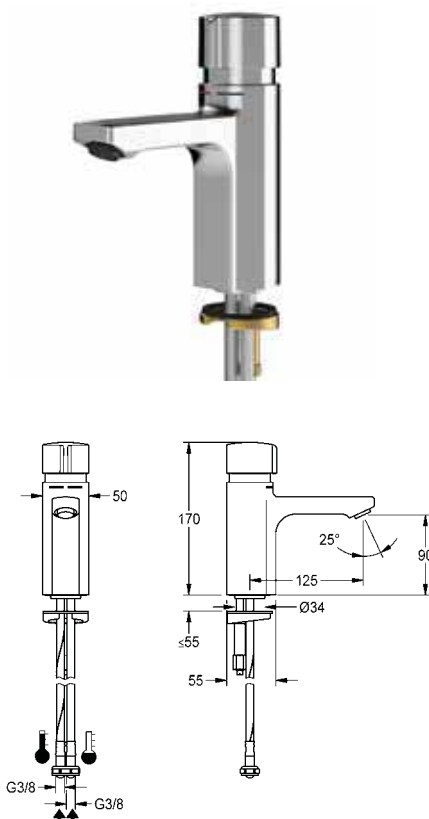
ACSX1001 2030041519

Anti-twist protection

ACXX1001 2030035383

Under-table thermostat, additional aerators, see "Washbasin tap accessories", page 61 onwards

Note: Version with connecting pipes available on request.

**F5S-Mix self-closing pillar mixer**

F5S-Mix self-closing pillar mixer DN 15 as single-mixer tap for sanitary facilities. FRAMIC self-closing mixing cartridge, hydraulically controlled, low-maintenance and stagnation-free, with ceramic disc technology, self-closing, flow pressure-independent due to medium-separated design. Stepless adjustment of flow duration. With adjustable, turn-proof temperature stop. For connection to hot water and cold water via hoses with integrated backflow preventer and strainers. All-metal construction, high-polished chromium-plated brass. Anti-theft aerator, SLIM design, with integrated flow regulator 5.0 l/min.

F5SM1001 2030036163

with flow regulator 3.0 l/min

F5SM1006 2030039396

Optional accessories

Socket for F5S self-closing pillar taps and pillar mixer

ACSX1001 2030041519

Anti-twist protection

ACXX1001 2030035383

Under-table thermostat, additional aerators, see "Washbasin tap accessories", page 61 onwards

Note: Version with connecting pipes available on request.

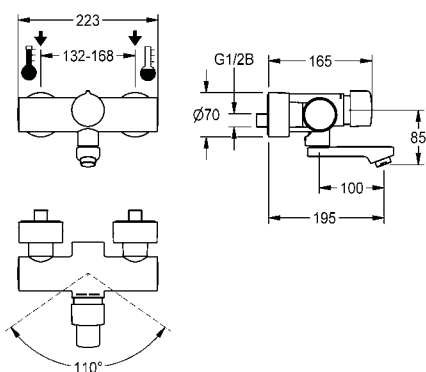
KWC F5 self-closing mixers

Type Article Number



F5S-Mix self-closing wall-mounted mixer

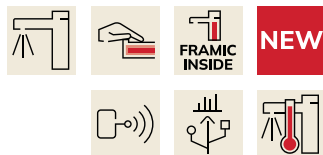
F5S-Mix self-closing wall-mounted mixer DN 15 as single-mixer tap for wall mounting with lockable swivelling spout, for sanitary facilities. FRAMIC self-closing mixing cartridge, hydraulically controlled, low-maintenance and stagnation-free, with ceramic disc technology, self-closing, flow pressure-independent due to medium-separated design. Stepless adjustment of flow duration. With adjustable, turn-proof temperature stop. Connects to hot and cold water. All-metal construction, high-polished chromium-plated brass. Laminar jet controller with integrated flow regulator 6.0 l/min. With adjustable and lockable connections with backflow preventer and strainers, completely covered with depth-adjustable screw rosettes.



Projection 195 mm	
F5SM1004	2030032992
Projection 135 mm	
F5SM1003	2030032991
Projection 255 mm	
F5SM1005	2030032993
with projection 135 mm and aerator with flow regulator 3.0 l/min	
F5SM1008	2030040314
with projection 195 mm and aerator with flow regulator 3.0 l/min	
F5SM1009	2030040316
with projection 255 mm and aerator with flow regulator 3.0 l/min	
F5SM1010	2030040317

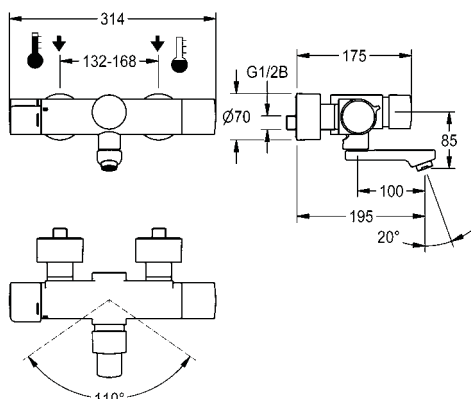
Optional accessories
 Theft-proof housing for aerator
ZTAPS0005 2000104778

Additional aerators, see "Washbasin tap accessories", page 61 onwards



F5S Therm self-closing thermostatic wall-mounted mixer with pre-fitted hygiene unit

F5S-Therm self-closing thermostatic mixer DN 15 for wall mounting with lockable swivelling outlet, for sanitary facilities. Hydraulically controlled, connects to hot water and cold water. Pre-fitted hygiene unit with C-module including control electronics, 6 V lithium battery (CR-P2) and solenoid valve cartridge for automatic hygiene flushing and saving of statistical data. FRAMIC self-closing cartridge, hydraulically controlled, low maintenance and stagnation free, with ceramic disc technology, self closing, flow pressure independent due to medium-independent design. Fully adjustable flow time, thermostat with metal handle with adjustable and turn-proof temperature stop, with option for performing manual thermal disinfection. Scald-protected, safe-touch housing, all-metal construction, polished chromium-plated brass. Laminar jet controller with integrated flow rate controller 6.0 l/min. With adjustable and lockable connections with backflow preventers and strainers, fully covered by depth-adjustable screw rosettes. 195 mm projection. Activated hygiene flushing, fixed interval of 24 hours. With option for radio-controlled parameterisation, read-out of statistical data, realisation of predefined calendar functions as well as grouping of taps to perform predefined control functions via the necessary app.

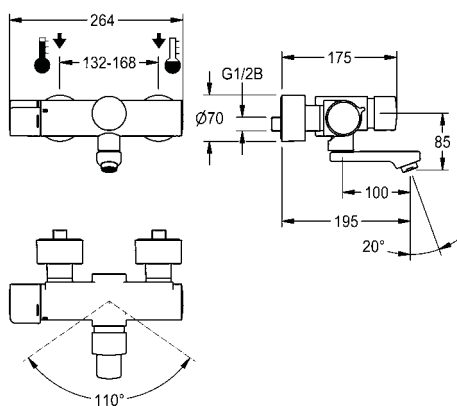
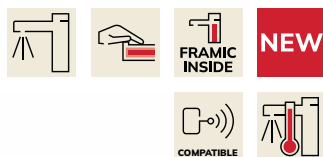


Projection 195 mm	
F5ST1105	3600008420
Projection 135 mm	
F5ST1104	3600008409
Projection 255 mm	
F5ST1106	3600008421

Optional accessories
 Theft-proof housing for aerator
ZTAPS0005 2000104778

KWC F5 self-closing mixers

Type	Article Number
------	----------------

**F5S-Therm self-closing thermostat wall-mounted mixer**

F5S-Therm self-closing thermostatic mixer DN 15 for wall mounting with lockable swivelling outlet, for sanitary facilities. Hydraulically controlled, connects to hot water and cold water. With mechanism for optional hygiene unit with C-module for automatic hygiene flushing and readout of statistical data. FRAMIC self-closing cartridge, hydraulically controlled, low maintenance and stagnation free, with ceramic disc technology, self closing, flow pressure independent due to medium-independent design. Fully adjustable flow duration. Thermostat with metal handle with adjustable and turn-proof temperature stop, with option for performance of manual thermal disinfection. Scald-protected, safe-touch housing, all-metal construction, polished chromium-plated brass. Laminar jet controller with integrated flow rate controller 6.0 l/min. With adjustable and lockable connections with backflow preventers and strainers, fully covered by depth-adjustable screw rosettes.

Projection 195 mm

F5ST1102 3600008676

Projection 135 mm

F5ST1101 3600008675

Projection 255 mm

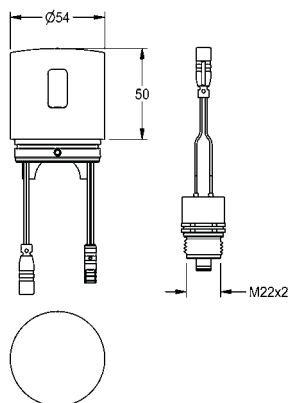
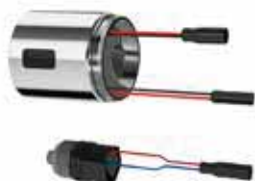
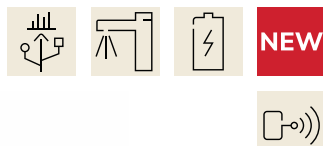
F5ST1103 3600008677

Optional accessories

Theft-proof housing for aerator

ZTAPS0005 2000104778

Hygiene unit for compatible KWC self-closing thermostatic wall-mounted mixers

ACST9002 3600008376**Hygiene unit for compatible KWC self-closing thermostatic wall-mounted mixers**

Hygiene unit for compatible KWC self-closing thermostatic wall-mounted mixers for sanitary facilities and shower facilities, for carrying out automatic hygiene flushing and for saving statistical data. C-module including control electronics and 6 V lithium battery (CR-P2) as well as solenoid valve cartridge. Activated water hygiene flushing (30 seconds), fixed interval of 24 hours and saving of statistical data. With option for radio-controlled parameterisation, read-out of statistical data, realisation of predefined calendar functions as well as grouping of taps to perform predefined control functions via the necessary app. With polished chromium-plated brass housing adapter.

ACST9002 3600008376

Type	Article Number
------	----------------



F5E electronic pillar tap with battery operation

F5E pillar tap DN 15 for sanitary facilities, opto-electronically controlled. For connection to pre-mixed hot or cold water via hose and strainer. Control electronics, solenoid valve cartridge, 6 V lithium battery (CR-P2) and sensor in all-metal housing, high-polished chromium-plated brass. Anti-theft aerator, design SLIM, with integrated flow regulator 5.0 l/min. Activated water hygiene flushing 24 hours after last activation, safety switch-off with continuous reflection and saving of statistical data. With option for parameterization and communication via optional, bidirectional remote control.

F5EV1001	2030027922
-----------------	------------

with flow regulator 3.0 l/min

F5EV1005	2030039435
-----------------	------------

Optional accessories

Socket for increasing the tap body by 140 mm

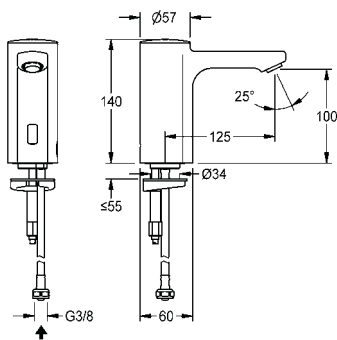
ACEX1001	2030040334
-----------------	------------

Anti-twist protection

ACXX1001	2030035383
-----------------	------------

Bidirectional remote control, two-button remote control, under-table thermostat, additional aerators, see "Washbasin tap accessories", page 61 onwards

Note: Version with connecting pipes available on request.



F5E electronic pillar tap with plug-in power supply unit

F5E pillar tap DN 15 for sanitary facilities, opto-electronically controlled. For connection to pre-mixed hot or cold water via hose and strainer. Control electronics, solenoid valve cartridge and sensor in all-metal housing, high-polished chromium-plated brass. Anti-theft aerator, design SLIM, with integrated flow regulator 5.0 l/min. Activated water hygiene flushing 24 hours after last activation, safety switch-off with continuous reflection and saving of statistical data. With option for parameterization and communication via optional, bidirectional remote control. With 100 - 240 V AC plug-in power supply unit.

F5EV1002	2030035330
-----------------	------------

with flow regulator 3.0 l/min

F5EV1006	2030039436
-----------------	------------

Optional accessories

Socket for increasing the tap body by 140 mm

ACEX1001	2030040334
-----------------	------------

Anti-twist protection

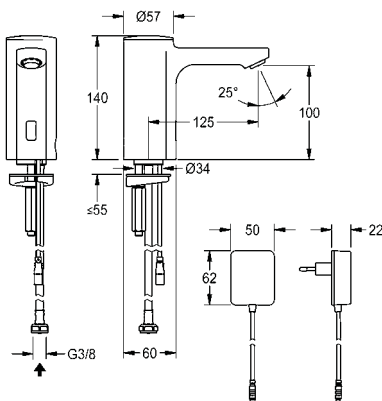
ACXX1001	2030035383
-----------------	------------

Extension cable 5 m

ACEX9010	2030043814
-----------------	------------

Bidirectional remote control, two-button remote control, under-table thermostat, additional aerators, see "Washbasin tap accessories", page 61 onwards

Note: Version with connecting pipes available on request.

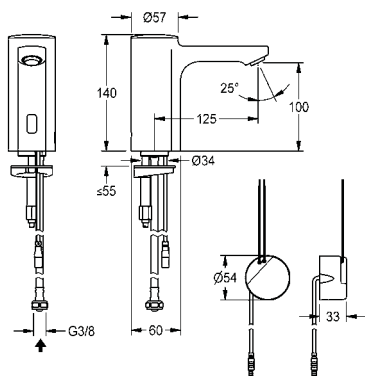


Type	Article Number
------	----------------



F5E electronic pillar tap with in-wall power supply

F5E pillar tap DN 15 for sanitary facilities, opto-electronically controlled. For connection to pre-mixed hot or cold water via hose and strainer. Control electronics, solenoid valve cartridge and sensor in all-metal housing, high-polished chromium-plated brass. Anti-theft aerator, design SLIM, with integrated flow regulator 5.0 l/min. Activated water hygiene flushing 24 hours after last activation, safety switch-off with continuous reflection and saving of statistical data. With option for parameterization and communication via optional, bidirectional remote control. With in-wall power supply 100 - 240 V AC.



F5EV1003	2030035331
with flow regulator 3.0 l/min	
F5EV1007	2030039437

Optional accessories

Socket for increasing the tap body by 140 mm	ACEX1001	2030040334
Anti-twist protection	ACXX1001	2030035383
Extension cable 5 m	ACEX9010	2030043814

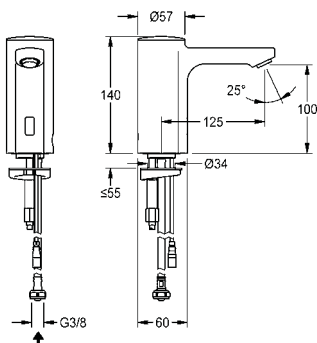
Bidirectional remote control, two-button remote control, under-table thermostat, additional aerators, see "Washbasin tap accessories", page 61 onwards

Note: Version with connecting pipes available on request.



F5E electronic pillar tap for separate power supply

F5E pillar tap DN 15 for sanitary facilities, opto-electronically controlled. For connection to pre-mixed hot or cold water via hose and strainer. Control electronics, solenoid valve cartridge and sensor in all-metal housing, high-polished chromium-plated brass. Anti-theft aerator, design SLIM, with integrated flow regulator 5.0 l/min. Activated water hygiene flushing 24 hours after last activation, safety switch-off with continuous reflection and saving of statistical data. With option for parameterization and communication via optional, bidirectional remote control. Separate power supply via power supply unit 6.75 V / 12 V DC or AQUA 3000 open system accessories.



F5EV1004	2030036158
with flow regulator 3.0 l/min	
F5EV1008	2030039438

Mandatory accessories

Power supply unit	ACEX9001	2030039477
Extension cable 5 m (per tap)	ACEX9010	2030043814

Optional accessories

Socket for increasing the tap body by 140 mm	ACEX1001	2030040334
Anti-twist protection	ACXX1001	2030035383
Electronic module EM5 with ID 02010	ACEX1002	2030041520
Electronic module EM5 with ID 02010, with flush box	ACEX1004	2030059118

Bidirectional remote control, two-button remote control, under-table thermostat, additional aerators, see "Washbasin tap accessories", page 61 onwards

AQUA 3000 open system accessories, see "AQUA 3000 open" section

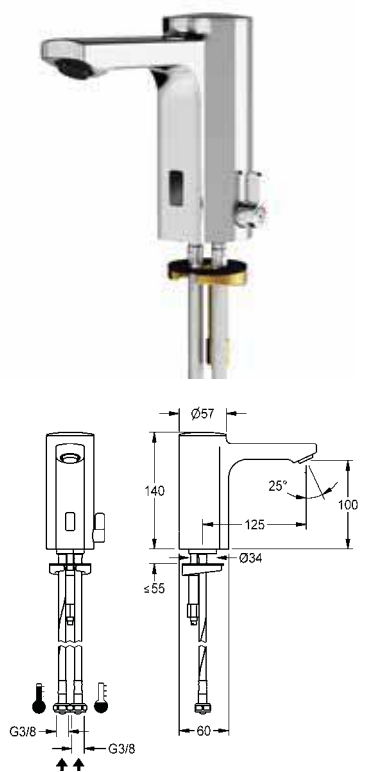
Note: Version with connecting pipes available on request.

Type **Article Number**



F5E-Mix electronic pillar mixer with battery operation

F5E-Mix pillar mixer DN 15 for sanitary facilities, opto-electronically controlled. For connection to hot and cold water via hoses with integrated backflow preventer and strainers. Control electronics, solenoid valve cartridge, 6 V lithium battery (CR-P2) and sensor in all-metal housing, high-polished chromium-plated brass. Temperature lever with adjustable, turn-proof temperature stop as well as conversion set for concealed mixing device. Anti-theft aerator, design SLIM, with integrated flow regulator 5.0 l/min. Activated water hygiene flushing 24 hours after last activation, safety switch-off with continuous reflection and saving of statistical data. With option for parameterization and communication via optional, bidirectional remote control.



F5EM1001 2030027923
with flow regulator 3.0 l/min

F5EM1007 2030039427

Optional accessories

Socket for increasing the tap body by 140 mm

ACEX1001 2030040334

Anti-twist protection

ACXX1001 2030035383

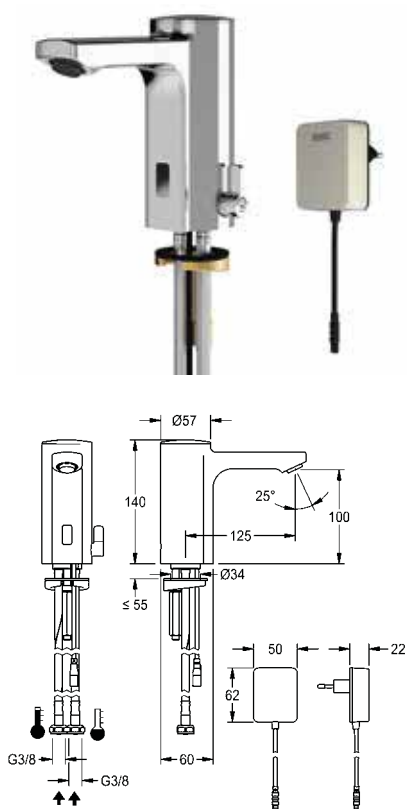
Bidirectional remote control, two-button remote control, under-table thermostat, additional aerators, see "Washbasin tap accessories", page 61 onwards

Note: Version with connecting pipes available on request.



F5E-Mix electronic pillar mixer with plug-in power supply unit

F5E-Mix pillar mixer DN 15 for sanitary facilities, opto-electronically controlled. For connection to hot and cold water via hoses with integrated backflow preventer and strainers. Control electronics, solenoid valve cartridge and sensor in all-metal housing, high-polished chromium-plated brass. Temperature lever with adjustable, turn-proof temperature stop as well as conversion set for concealed mixing device. Anti-theft aerator, design SLIM, with integrated flow regulator 5.0 l/min. Activated water hygiene flushing 24 hours after last activation, safety switch-off with continuous reflection and saving of statistical data. With option for parameterization and communication via optional, bidirectional remote control. With 100 - 240 V AC plug-in power supply unit.



F5EM1002 2030035328

with flow regulator 3.0 l/min

F5EM1008 2030039431

Optional accessories

Socket for increasing the tap body by 140 mm

ACEX1001 2030040334

Anti-twist protection

ACXX1001 2030035383

Extension cable 5 m

ACEX9010 2030043814

Bidirectional remote control, two-button remote control, under-table thermostat, additional aerators, see "Washbasin tap accessories", page 61 onwards

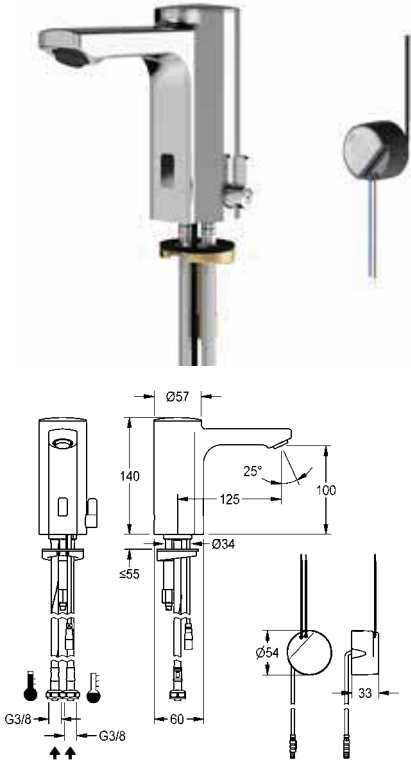
Note: Version with connecting pipes available on request.

Type **Article Number**



F5E-Mix electronic pillar mixer with in-wall power supply

F5E-Mix pillar mixer DN 15 for sanitary facilities, opto-electronically controlled. For connection to hot and cold water via hoses with integrated backflow preventer and strainers. Control electronics, solenoid valve cartridge and sensor in all-metal housing, high-polished chromium-plated brass. Temperature lever with adjustable, turn-proof temperature stop as well as conversion set for concealed mixing device. Anti-theft aerator, design SLIM, with integrated flow regulator 5.0 l/min. Activated water hygiene flushing 24 hours after last activation, safety switch-off with continuous reflection and saving of statistical data. With option for parameterization and communication via optional, bidirectional remote control. With in-wall power supply 100 - 240 V AC.



F5EM1003 2030035329

with flow regulator 3.0 l/min

F5EM1009 2030039432

Optional accessories

Socket for increasing the tap body by 140 mm

ACEX1001 2030040334

Anti-twist protection

ACXX1001 2030035383

Extension cable 5 m

ACEX9010 2030043814

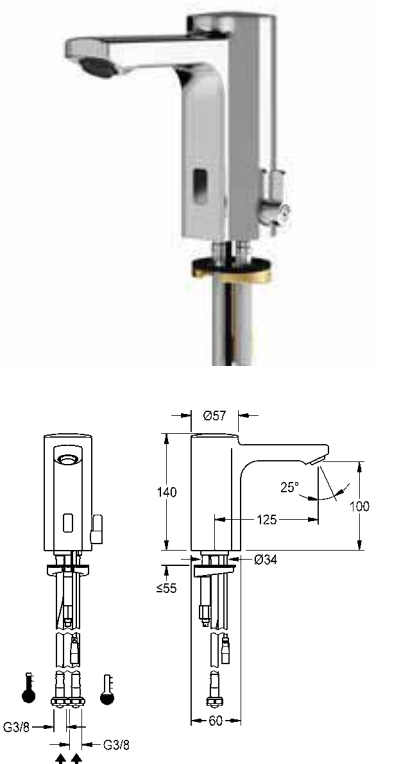
Bidirectional remote control, two-button remote control, under-table thermostat, additional aerators, see "Washbasin tap accessories", page 61 onwards

Note: Version with connecting pipes available on request.



F5E-Mix electronic pillar mixer for separate power supply

F5E-Mix pillar mixer DN 15 for sanitary facilities, opto-electronically controlled. For connection to hot and cold water via hoses with integrated backflow preventer and strainers. Control electronics, solenoid valve cartridge and sensor in all-metal housing, high-polished chromium-plated brass. Temperature lever with adjustable, turn-proof temperature stop as well as conversion set for concealed mixing device. Anti-theft aerator, design SLIM, with integrated flow regulator 5.0 l/min. Activated water hygiene flushing 24 hours after last activation, safety switch-off with continuous reflection and saving of statistical data. With option for parameterization and communication via optional, bidirectional remote control. Separate power supply via power supply unit 6.75 V / 12 V DC or AQUA 3000 open system accessories.



F5EM1004 2030036159

with flow regulator 3.0 l/min

F5EM1010 2030039434

Mandatory accessories

Power supply unit

ACEX9001 2030039477

Extension cable 5 m (per tap)

ACEX9010 2030043814

Optional accessories

Socket for increasing the tap body by 140 mm

ACEX1001 2030040334

Anti-twist protection

ACXX1001 2030035383

Electronic module EM5 with ID 02010

ACEX1002 2030041520

Electronic module EM5 with ID 02010, with flush box

ACEX1004 2030059118

Bidirectional remote control, two-button remote control, under-table thermostat, additional aerators, see "Washbasin tap accessories", page 61 onwards

AQUA 3000 open system accessories, see "AQUA 3000 open" section

Note: Version with connecting pipes available on request.

Type	Article Number
------	----------------



F5E-Mix electronic pillar mixer with battery operation for hot water heaters

F5E-Mix pillar mixer DN 15 for sanitary facilities, opto-electronically controlled. For connection via hoses to open low-level domestic hot water heaters. Control electronics, solenoid valve cartridge, 6 V lithium battery (CR-P2) and sensor in all-metal housing, high-polished chromium-plated brass. Temperature lever with adjustable, turn-proof temperature stop as well as conversion set for concealed mixing device. With jet controller. Activated water hygiene flushing 24 hours after last activation, safety switch-off with continuous reflection and saving of statistical data. With option for parameterization and communication via optional, bidirectional remote control.

F5EM1005	2030031350
-----------------	------------

Optional accessories

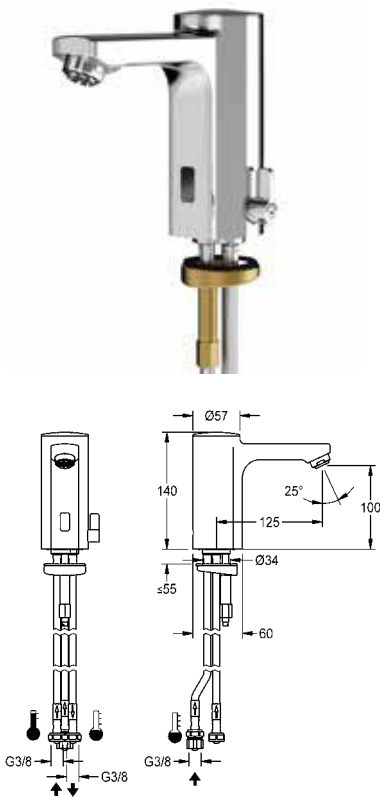
Low-level hot water heater, 5 litre

ACXM1001	2000109145
-----------------	------------

Anti-twist protection

ACXX1001	2030035383
-----------------	------------

Bidirectional remote control, two-button remote control, see page 63



F5E-Mix electronic pillar mixer with plug-in power supply unit for hot water heaters

F5E-Mix pillar mixer DN 15 for sanitary facilities, opto-electronically controlled. For connection via hoses to open low-level domestic hot water heaters. Control electronics, solenoid valve cartridge and sensor in all-metal housing, high-polished chromium-plated brass. Temperature lever with adjustable, turn-proof temperature stop as well as conversion set for concealed mixing device. With jet controller. Activated water hygiene flushing 24 hours after last activation, safety switch-off with continuous reflection and saving of statistical data. With option for parameterization and communication via optional, bidirectional remote control. With 100 - 240 V AC plug-in power supply unit.

F5EM1006	2030035332
-----------------	------------

Optional accessories

Low-level hot water heater, 5 litre

ACXM1001	2000109145
-----------------	------------

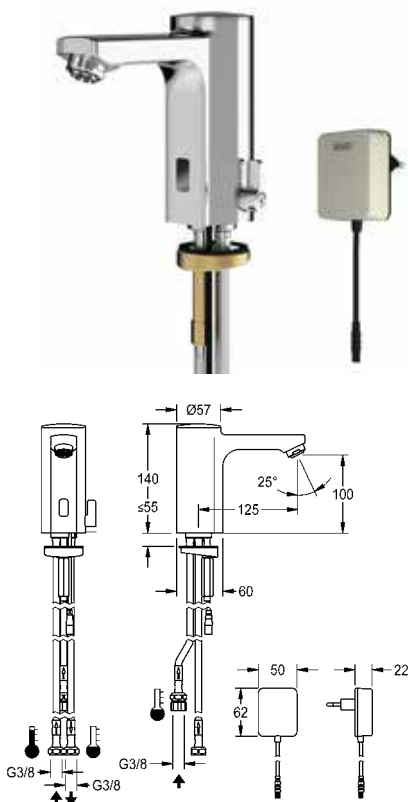
Anti-twist protection

ACXX1001	2030035383
-----------------	------------

Extension cable 5 m

ACEX9010	2030043814
-----------------	------------

Bidirectional remote control, two-button remote control, see page 63



Type Article Number

F5E-Therm electronic thermostatic wall-mounted mixer with battery operation and pre-fitted C-module unit

F5E-Therm thermostatic mixer DN 15 for wall mounting with lockable swivelling outlet, for sanitary facilities. Opto-electronic control, activation on hand reflection. Pre-fitted C-module unit for radio-controlled parameterisation, read-out of statistical data, realisation of predefined calendar functions as well as grouping of taps to perform predefined control functions via the necessary app. Thermostat with metal handle with adjustable, turn-proof temperature stop With the option of manual thermal disinfection. For connection to hot and cold water. Control electronics, solenoid valve cartridge, 6 V lithium battery (CR-P2) and sensor in all-metal housing, polished chromium-plated brass. Laminar jet controller with integrated flow rate controller 6.0 l/min. With adjustable and lockable connections with backflow preventers and strainers, fully covered by depth-adjustable screw rosettes. 200 mm projection. Activated water hygiene flushing 24 hours after last activation, safety switch-off for continuous reflection and saving of statistical data.

Projection 200 mm	F5ET1117	3600008356
Projection 145 mm	F5ET1116	3600008354
Projection 260 mm	F5ET1118	3600008357

Optional accessories
 Theft-proof housing for aerator
ZTAPS0005 2000104778

F5E-Therm electronic thermostatic wall-mounted mixer with battery operation

F5E-Therm thermostatic mixer DN 15 for wall mounting with lockable swivelling outlet, for sanitary facilities. Opto-electronic control, activation on hand reflection. Thermostat with metal handle with adjustable, turn-proof temperature stop With the option of manual thermal disinfection. For connection to hot and cold water. Control electronics, solenoid valve cartridge, 6 V lithium battery (CR-P2) and sensor in all-metal housing, polished chromium-plated brass. Laminar jet controller with integrated flow rate controller 6.0 l/min. With adjustable and lockable connections with backflow preventers and strainers, fully covered by depth-adjustable screw rosettes. 200 mm projection. Activated water hygiene flushing 24 hours after last activation, safety switch-off for continuous reflection and saving of statistical data. With facility for parameterisation and communication via optional bidirectional remote control or C-module unit with the necessary app.

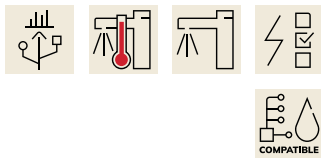
Projection 200 mm	F5ET1102	3600004010
Projection 145 mm	F5ET1101	3600004009
Projection 260 mm	F5ET1103	3600004011

Optional accessories
 Theft-proof housing for aerator
ZTAPS0005 2000104778
 C-module unit for compatible KWC electronic wall-mounted mixers
ACET9003 3600008377

C-module unit for compatible KWC electronic wall-mounted mixers

C-module unit for compatible KWC electronic wall-mounted mixers for sanitary facilities and shower facilities. For radio-controlled parameterisation, read-out of statistical data, realisation of predefined calendar functions as well as grouping of taps to perform predefined control functions via the necessary app. With polished chromium-plated brass housing adapter.

ACET9003	3600008377
-----------------	------------



F5E-Therm electronic thermostatic in-wall mixer for separate power supply

F5E-Therm thermostatic mixer DN 15 as finished installation kit for in-wall installation in basic installation kit, for sanitary facilities. Opto-electronically controlled, for connection to hot water and cold water. Function block with integrated solenoid valve cartridge, thermostat and device for optional bypass solenoid valve cartridge, for program-controlled thermal disinfection. Thermostat with metal handle with adjustable and turn-proof temperature stop and option for manual thermal disinfection. Visible parts made of high-polished chromium-plated brass. Holding frame with profile seal, stainless steel cover plate 190 x 245 mm with covered screw fixing including sensor with control electronics, rosette, backflow preventer and strainers. Spout with laminar jet controller with integrated flow regulator 6.0 l/min. Projection 200 mm, depth adjustability 25 mm. Activated water hygiene flushing 24 hours after last activation, safety switch-off with continuous reflection and saving of statistical data. With option for parameterization and communication via optional, bidirectional remote control. Separate power supply via power supply unit 6.75 V / 12 V DC or AQUA 3000 open system accessories.



Projection 200 mm

F5ET1014 2030038682

Projection 140 mm

F5ET1013 2030038681

Projection 260 mm

F5ET1015 2030038683

Mandatory accessories (power supply optionally)

R5 system box for in-wall mixers

F5BX1001 2030028992

Power supply unit

ACEX9001 2030039477

Extension cable 5 m (per tap)

ACEX9010 2030043814

Power supply for installation in the wall with connecting cable 1 m

ACEX9003 2030039825

Optional accessories

Solenoid valve cartridge DN 5, 6 V DC

ACXX9002 2030045522

Extension set for 25 mm depth compensation

ACET9002 2030044782

Electronic module EM5 with ID 02030 for F5ET1014

ACET1003 2030041916

Electronic module EM5 with ID 02020 for F5ET1013

ACET1002 2030041915

Electronic module EM5 with ID 02040 for F5ET1015

ACET1004 2030041917

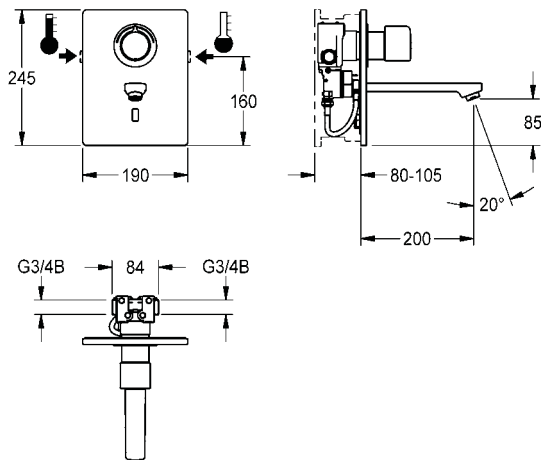
Theft-proof housing for aerator

ZTAPS0005 2000104778

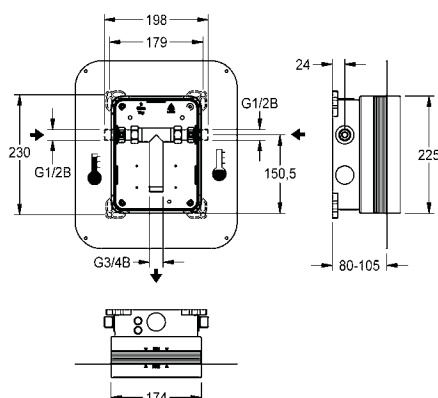
Bidirectional remote control, two-button remote control, additional aerators, see "Washbasin tap accessories", page 61 onwards

AQUA 3000 open system accessories, see "AQUA 3000 open" section

Note: Thermal disinfection performed using key switch with separate power supply on request.



KWC R5 system box, F5 washbasin fitting



Type	Article Number
------	----------------

**R5 system box for in-wall mixers**

R5 basic installation kit with sliding adhesive flange for in-wall mounting of finished installation kits DN 15 with mixing unit, for sanitary facilities. For connection to hot and cold water. KWC system box made of plastic, 174 x 225 mm, with lockable connection screws, shell protection, flush connector for flushing, and leak test. Continuously-adjustable sliding adhesive flange with form-closed, flexible, 70 mm wide sealing collar. Sealing collar made of water-tight, permanently-elastic, alkali-resistant, and crack-bridging thermoplastic elastomer with polypropylene fleece for connecting to compound seals in dry and wet construction.

F5BX1001	2030028992
-----------------	------------

Optional accessories

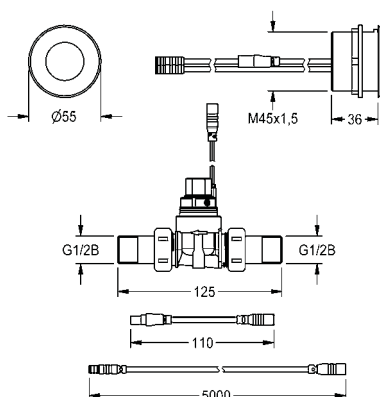
Mounting traverse, depth adjustable, for installing KWC fittings with flush-mounting cabinets in drywall, packaging unit: 2 pieces

ZCMPX006	2000106019
-----------------	------------

**F5E washbasin fitting for concealed mounting**

F5E Washbasin fitting DN 15 for concealed mounting. Opto-electronic control, activation on hand reflection. For connection to pre-mixed hot water or cold water. With round sensor (diameter 55 mm), with integrated control electronics and deactivation of cleaning, high-polished chrome-plated brass, to be screwed in from rear, with anti-twist protection, solenoid valve with screw fixings G 1/2 B, extension cable for solenoid valve, length 5 m. Activated water hygiene flushing 24 hours after last activation and saving of statistical data. With option for parameterization and communication via optional, bidirectional remote control. Optional battery operation with 6 V lithium battery (CR-P2) per fitting or separate power supply via power supply unit 6.75 V/12 V DC or AQUA 3000 open system accessories.

Battery compartment including battery or power supply unit with extension cable must be ordered separately.



F5EV1013	2030062315
-----------------	------------

Mandatory accessories (optionally)

Battery compartment including 6 V battery

ACEX9023	3600002063
-----------------	------------

Power supply unit

ACEX9001	2030039477
-----------------	------------

Extension cable 5 m (per tap)

ACEX9010	2030043814
-----------------	------------

Optional accessories

Electronic module EM5 with ID 02090

ACEV1002	2030065092
-----------------	------------

Stainless steel cover, round, diameter 136 mm, for sensor support

ZAQUA084	2000101054
-----------------	------------

Bidirectional remote control, two-button remote control, wall outlets, see "Washbasin tap accessories", page 61 onwards

AQUA 3000 open system accessories, see "AQUA 3000 open" section

KWC F5 thermostatic single-lever mixer

Type	Article Number
------	----------------



F5L-Therm thermostatic single-lever pillar mixer

F5L-Therm thermostatic single-lever mixer as DN 15 pillar mixer for sanitary facilities. Thermostatically-controlled mixer cartridge with expansion element and active scald protection as well as adjustable and turn-proof temperature stop, and ceramic disc technology. With mechanism for optional hygiene unit for automatic hygiene flushing, program-controlled thermal disinfection and storage of statistical data. For connection to hot water and cold water via hoses, includes strainers. All-metal construction, high-polished chrome-plated brass. Anti-theft aerator, slim design, with integrated flow rate controller 5.0 l/min, projection 100 mm.

F5LT1001	2030066480
-----------------	------------

Optional accessories

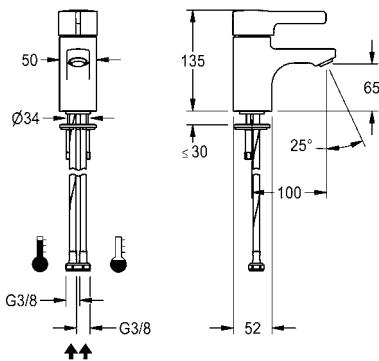
Socket for F5L single-lever pillar mixer

ACLM1010	2030041325
-----------------	------------

Anti-twist protection

ACLM1009	2030041324
-----------------	------------

ACLX1001 surface-mounted hygiene unit and ACLX1005 for in-wall installation, see page 37



F5L-Therm thermostatic single-lever pillar mixer

F5L-Therm thermostatic single-lever mixer as DN 15 pillar mixer for sanitary facilities. Thermostatically-controlled mixer cartridge with expansion element and active scald protection as well as adjustable and turn-proof temperature stop, and ceramic disc technology. With mechanism for optional hygiene unit for automatic hygiene flushing, program-controlled thermal disinfection and storage of statistical data. For connection to hot water and cold water via hoses, includes strainers. All-metal construction, high-polished chrome-plated brass. Anti-theft aerator, SLIM design, with integrated flow rate controller 5.0 l/min, projection 125 mm.

F5LT1002	2030066481
-----------------	------------

Optional accessories

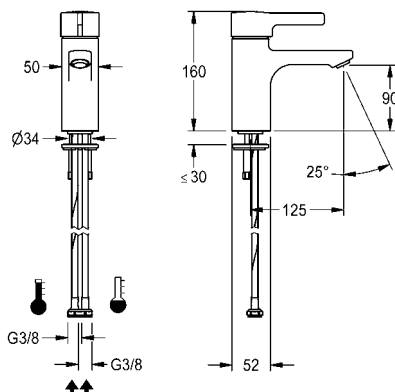
Socket for F5L single-lever pillar mixer

ACLM1010	2030041325
-----------------	------------

Anti-twist protection

ACLM1009	2030041324
-----------------	------------

ACLX1003 surface-mounted hygiene unit and ACLX1007 for in-wall installation, see page 37



KWC F5 thermostatic single-lever mixer

Type	Article Number
------	----------------

**F5L-Therm thermostatic single-lever pillar mixer, barrier-free**

F5L-Therm thermostatic single-lever mixer as DN 15 pillar mixer for accessible sanitary facilities, lever length 150 mm. Thermostatically-controlled mixer cartridge with expansion element and active scald protection as well as adjustable and turn-proof temperature stop, and ceramic disc technology. With mechanism for optional hygiene unit for automatic hygiene flushing and program-controlled thermal disinfection and storage of statistical data. Lever cap in ergonomic bracket design, with slight curvature in the front and basalt-grey coating, in line with two-senses principle (tactile and visual). For connection to hot water and cold water via hoses, includes strainers. All-metal construction, high-polished chrome-plated brass. Laminar jet regulator with integrated flow rate

F5LT1010	2030066301
-----------------	------------

With connection pipes

F5LT1011	2030066489
-----------------	------------

Optional accessories

Socket for F5L single-lever pillar mixer

ACLM1010	2030041325
-----------------	------------

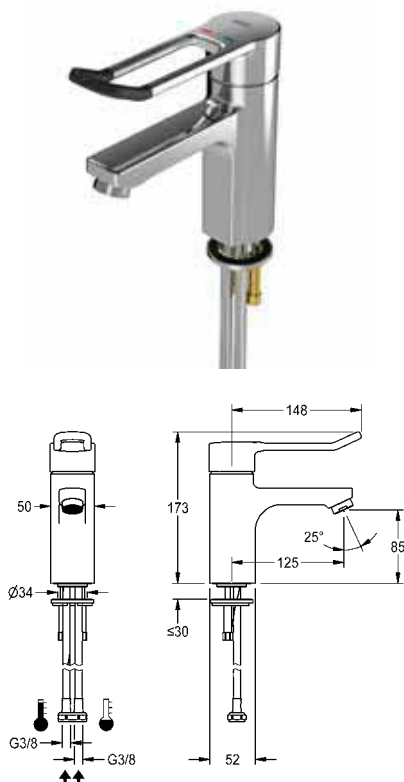
Anti-twist protection

ACLM1009	2030041324
-----------------	------------

Theft-proof housing for aerator

ZTAPS0005	2000104778
------------------	------------

ACLX1003 surface-mounted hygiene unit and ACLX1007 for in-wall installation, see page 37

**F5L-Therm thermostatic single-lever pillar mixer with pop-up waste**

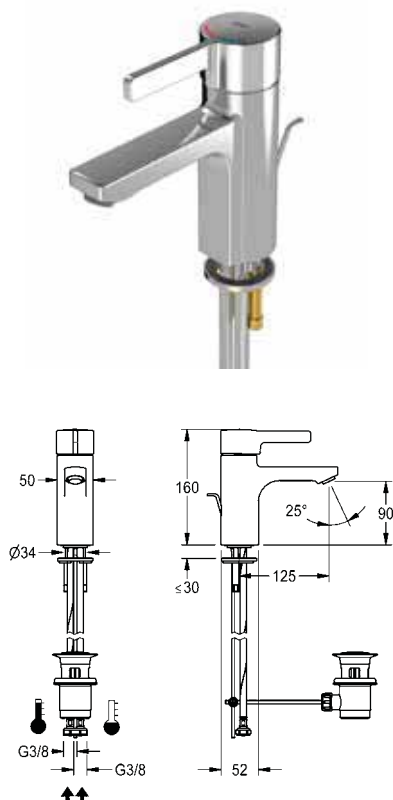
F5L-Therm thermostatic single-lever mixer as DN 15 pillar mixer for sanitary facilities. Thermostatically-controlled mixer cartridge with expansion element and active scald protection as well as adjustable and turn-proof temperature stop, and ceramic disc technology. For connection to hot water and cold water via hoses, includes strainers. All-metal construction, high-polished chrome-plated brass. Anti-theft aerator, SLIM design, with integrated flow rate controller 5.0 l/min, projection 125 mm. With pop-up waste set drain fitting G 1 1/4 mm, chrome-plated.

F5LT1003	2030066482
-----------------	------------

Optional accessories

Anti-twist protection

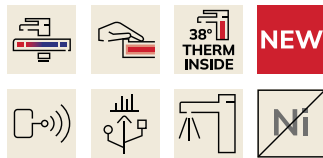
ACLM1009	2030041324
-----------------	------------



KWC F5 thermostatic single-lever mixer

Type

Article Number



F5L-Therm thermostatic single-lever wall-mounted mixer with pre-fitted hygiene unit

F5L-Therm thermostatic single-lever mixer DN 15 as wall-mounted mixer for wall mounting with lockable swivelling spout, for sanitary facilities. Thermostatically controlled mixer cartridge with expansion element and active scald protection as well as adjustable and turn-proof temperature stop and ceramic disc technology. Pre-fitted hygiene unit with C-module including control electronics, 6 V lithium battery (CR-P2) and solenoid valve cartridge for automatic hygiene flushing and saving of statistical data. For connection to hot and cold water. Scald-protected, safe-touch housing, all-metal construction, polished chromium-plated brass. Volume-reduced, smooth water lines made of brass without nickel coating, decoupled from the tap housing. With thermal insulation components to reduce heat transfer from the tap housing to the cold-water line. Laminar jet controller with integrated flow rate controller 6.0 l/min. With adjustable and lockable connections with backflow preventers and strainers, fully covered by depth-adjustable screw rosettes. 195 mm projection. Activated hygiene flushing, fixed interval of 24 hours. With option for radio-controlled parameterisation, read-out of statistical data, realisation of predefined calendar functions as well as grouping of taps to perform predefined control functions via the necessary app.



Projection 195 mm

F5LT1113 3600003807

Projection 135 mm

F5LT1112 3600003809

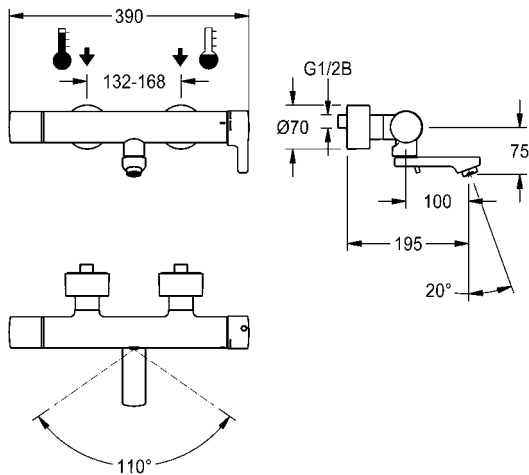
Projection 255 mm

F5LT1114 3600003852

Optional accessories

Theft-proof housing for aerator

ZTAPS0005 2000104778



KWC F5 thermostatic single-lever mixer

Type

Article Number

**F5L-Therm thermostatic single-lever wall-mounted mixer**

F5L-Therm thermostatic single-lever mixer DN 15 as wall-mounted mixer for wall mounting with lockable swivelling spout, for sanitary facilities. Thermostatically controlled mixer cartridge with expansion element and active scald protection as well as adjustable and turn-proof temperature stop and ceramic disc technology. With mechanism for optional water hygiene unit with C-module for automatic hygiene flushing and readout of statistical data. For connection to hot and cold water. Scald-protected, safe-touch housing, all-metal construction, polished chromium-plated brass. Volume-reduced, smooth water lines made of brass without nickel coating, decoupled from the tap housing. With thermal insulation components to reduce heat transfer from the tap housing to the cold-water line. Laminar jet controller with integrated flow rate controller 6.0 l/min. With adjustable and lockable connections with backflow preventers and strainers, fully covered by depth-adjustable screw rosettes.



Projection 195 mm

F5LT1105 3600003854

Projection 135 mm

F5LT1104 3600003855

Projection 255 mm

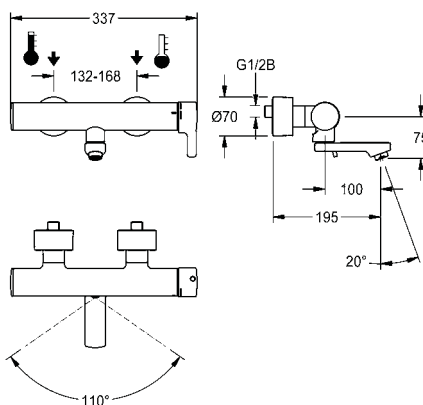
F5LT1106 3600003856

Optional accessories

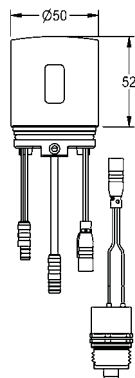
Theft-proof housing for aerator

ZTAPS0005 2000104778

Hygiene unit for compatible KWC thermostatic single-lever wall-mounted mixers

ACLT9001 3600003861**Hygiene unit for compatible KWC thermostatic single-lever wall-mounted mixers**

Hygiene unit for compatible KWC thermostatic single-lever wall-mounted mixers for sanitary facilities and shower facilities, for automatic hygiene flushing and saving statistical data. C-module including control electronics and 6 V lithium battery (CR-P2) as well as solenoid valve cartridge. Activated water hygiene flushing (30 seconds), fixed interval of 24 hours and saving of statistical data. With option for radio-controlled parameterisation, read-out of statistical data, realisation of predefined calendar functions as well as grouping of taps to perform predefined control functions via the necessary app. With polished chromium-plated brass housing adapter.

**ACLT9001** 3600003861

KWC F5 single-lever mixer

Type	Article Number
------	----------------

F5L-Mix single-lever pillar mixer

F5L-Mix single-lever pillar mixer DN 15 for sanitary facilities. Mixer cartridge with ceramic disc technology and adjustable, turn-proof temperature stop. With mechanism for optional hygiene unit for automatic hygiene flushing, program-controlled thermal disinfection and storage of statistical data. For connection to hot water and cold water via hoses, includes strainers. All-metal construction, high-polished chrome-plated brass. Anti-theft aerator, SLIM design, with integrated flow rate controller 5.0 l/min, projection 100 mm.

F5LM1033	2030066466
-----------------	------------

Optional accessories

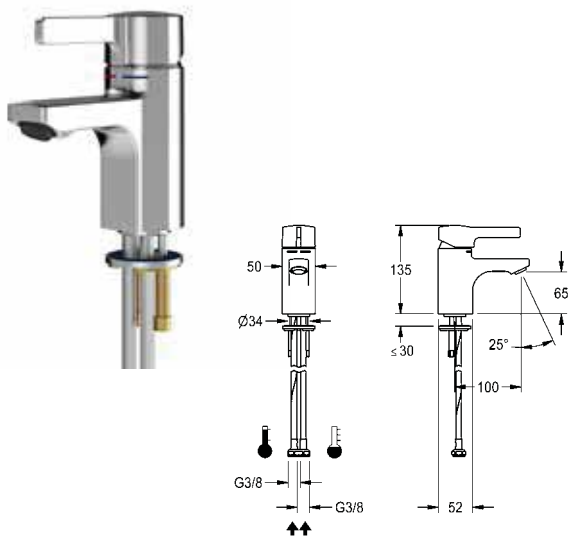
Socket for F5L single-lever pillar mixer

ACLM1010	2030041325
-----------------	------------

Anti-twist protection

ACLM1009	2030041324
-----------------	------------

ACLX1001 surface-mounted hygiene unit and ACLX1005 for in-wall installation, see page 37



F5L-Mix single-lever pillar mixer

F5L-Mix single-lever pillar mixer DN 15 for sanitary facilities. Mixer cartridge with ceramic disc technology and adjustable, turn-proof temperature stop. With mechanism for optional hygiene unit for automatic hygiene flushing, program-controlled thermal disinfection (additional bypass solenoid-operated flush valve cartridge necessary) and storage of statistical data. For connection to hot water and cold water via hoses, includes strainers. All-metal construction, high-polished chrome-plated brass. Anti-theft aerator, SLIM design, with integrated flow rate controller 5.0 l/min, projection 125 mm.

F5LM1034	2030066467
-----------------	------------

Optional accessories

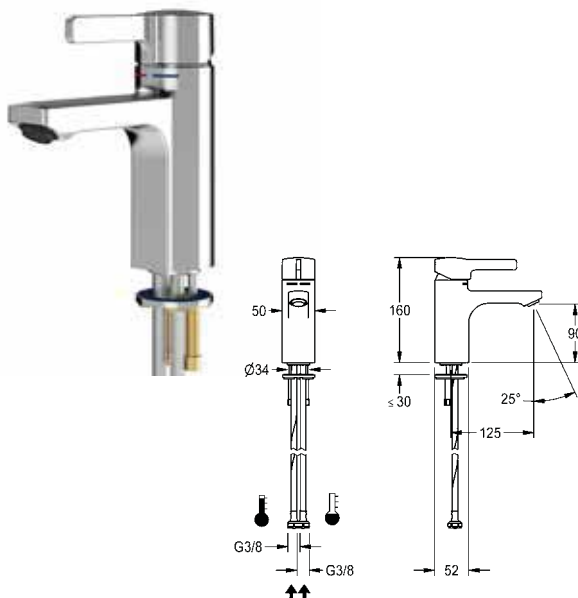
Socket for F5L single-lever pillar mixer

ACLM1010	2030041325
-----------------	------------

Anti-twist protection

ACLM1009	2030041324
-----------------	------------

ACLX1003 surface-mounted hygiene unit and ACLX1007 for in-wall installation, see page 37



F5L-Mix single-lever pillar mixer with pop-up waste

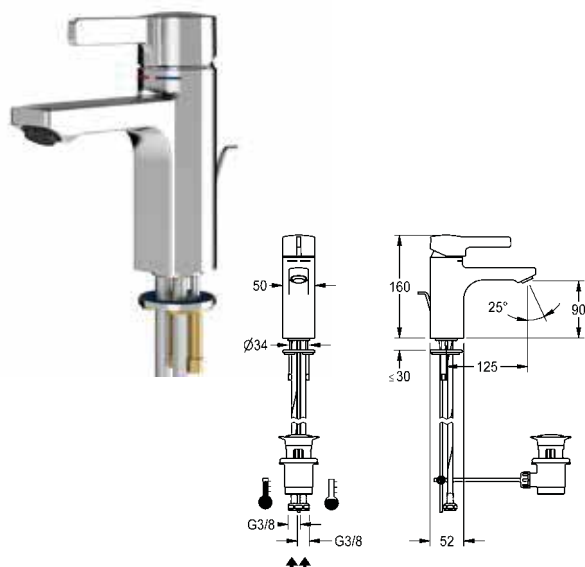
F5L-Mix single-lever pillar mixer DN 15 for sanitary facilities. Mixer cartridge with ceramic disc technology and adjustable, turn-proof temperature stop. For connection to hot water and cold water via hoses, includes strainers. All-metal construction, high-polished chrome-plated brass. Anti-theft aerator, SLIM design, with integrated flow rate controller 5.0 l/min, projection 125 mm. With pop-up waste set drain fitting G 1 1/4, chrome-plated.

F5LM1035	2030066468
-----------------	------------

Optional accessories

Anti-twist protection

ACLM1009	2030041324
-----------------	------------



Type **Article Number**



Hygiene unit for F5L single-lever mixers

Hygiene unit for F5L single lever mixer, projection 100 mm, for performing automatic hygiene flushing and program-controlled thermal disinfection. Function block with 2 solenoid valve cartridges and electronic control unit made of plastic for wall-mounting, for battery or mains operation, 6 V DC. Activated water hygiene flushing, fixed interval of 24 hours and saving of statistical data. With option for parameterization and communication via optional, bidirectional remote control.

Battery compartment including battery or plug-in power supply unit must be ordered separately.



ACLX1001 2030068985
 Hygiene unit for surface-mounting for F5L single-lever mixers with projection 125 mm

ACLX1003 2030068986

Mandatory accessories

Battery compartment including 6 V battery

ACEX9023 3600002063

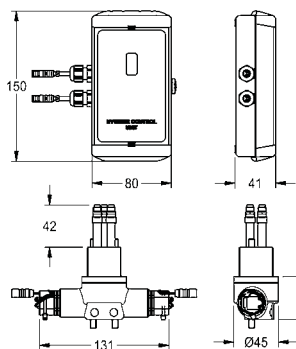
Plug-in power supply unit

ACEX9022 3600002062

Bidirectional remote control, two-button remote control, see page 63

Note:

The F5L single lever mixer must be ordered separately. **Cannot** be combined with base for raising the valve body and with anti-twist protection.



Hygiene unit for in-wall installation for F5L single lever mixers

Hygiene unit for F5L single lever mixer, projection 100 mm, for performing automatic hygiene flushing and program-controlled thermal disinfection. Function block with 2 solenoid valve cartridges and an electronic control unit for installation in walls with flush box and cover made of plastic 150 x 80 mm, for battery or mains operation, 6 V DC. Activated water hygiene flushing, fixed interval of 24 hours and saving of statistical data. With option for parameterization and communication via optional, bidirectional remote control.

Battery compartment incl. battery or wall-mounted power supply unit must be ordererd separately.



ACLX1005 2030068987

Hygiene unit for in-wall installation for single lever mixers with projection 125 mm

ACLX1007 2030068988

Mandatory accessories

Battery compartment including 6 V battery

ACEX9023 3600002063

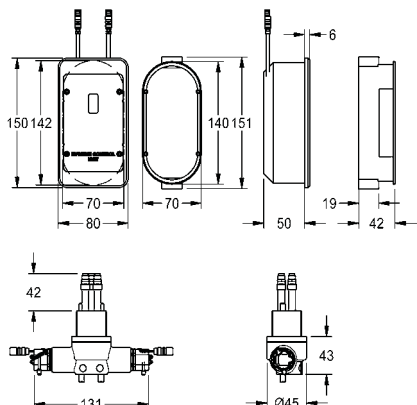
Power supply for installation in the wall with connecting cable 1 m

ACEX9003 2030039825

Bidirectional remote control, two-button remote control, see page 63

Note:

The F5L single lever mixer must be ordered separately. **Cannot** be combined with base for raising the valve body and with anti-twist protection.



KWC F5 hybrid fittings



Most tea and coffee stations on office floors often have conventional lever-operated kitchen mixer taps. The F5 hybrid kitchen mixer tap of KWC Professional combines the benefits of an electronic tap with the ease of use of a lever-operated mixer. The washbasin mixer version completes the hybrid fitting range.

With the F5 hybrid mixer taps and its accessories, it is now optionally possible to integrate these draw-offs into the AQUA 3000 open water management system. In this way, F5 taps enable a regular and automatic hygiene flushing regime in the entire drinking water circuit of the building, from washrooms and lavatories, through to showers and the tea/coffee station.

The solid-metal body in brushed stainless steel makes an additional contribution to hygiene and contains all the important tap components, such as mixer cartridge,

solenoid valve, sensor and control electronics.

At the kitchen basin or washbasin, the tap can be opened, and the desired temperature and flow can be set, in the conventional way by means of the operating lever. Alternatively, a touch-free hand movement in front of the optoelectronic sensor is sufficient to activate the flow of water at the preset mixing temperature. The high spout is swivellable and can be engaged in the centre position.

Type Article Number



F5LME hybrid kitchen fitting

F5LME hybrid kitchen fitting DN 15 as pillar mixer with swivelling spout, can be locked in the centre position. Adjustable swivel ranges of 50°, 120° and 360°. For connection to hot water and cold water via hoses with strainers. Single lever mixer with mixer cartridge with ceramic disc technology and adjustable, turn-proof temperature stop. Alternative activation using hand reflection via an opto-electronic sensor for time-controlled water release with preset mixing water temperature. Mixer cartridge, solenoid valve and sensor with control electronics in all-metal housing, brushed stainless steel. Laminar jet controller with integrated flow rate controller (8.0 l/min). Projection 220 mm. Activated water hygiene flushing 24 hours after last activation, safety switch-off for continuous reflection and saving of statistical data. With option for parametrisation and communication via optional, bidirectional remote control. Optionally for battery operation with battery compartment including 6 V lithium battery (CR-P2) per fitting for installation under the kitchen sink or for separate power supply via 6.75 V/12 V DC power supply unit or AQUA 3000 open system accessories.



Battery compartment including battery or power supply unit with extension cable must be ordered separately.

F5LME001 2030061048

Mandatory accessories (optionally)

Battery compartment including 6 V battery

ACEX9023 3600002063

Power supply unit

ACEX9001 2030039477

Extension cable 5 m (per tap)

ACEX9010 2030043814

Plug-in power supply unit

ACEX9022 3600002062

Power supply for installation in the wall with connecting cable 1 m

ACEX9003 2030039825

Optional accessories

Electronic module EM5 with ID 02160

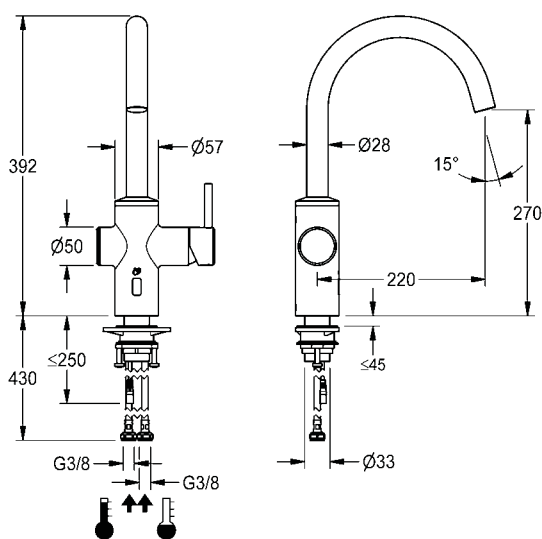
ACEM1001 3600000504

Electronic module EM5 with ID 02160, with flush box

ACEM1002 3600000505

Bidirectional remote control, two-button remote control, see page 63

AQUA 3000 open system accessories, see "AQUA 3000 open" section





F5LME hybrid kitchen fitting for hot water heater

F5LME hybrid kitchen fitting DN 15 as pillar mixer with swivelling spout, can be locked in the centre position. Adjustable swivel ranges of 50°, 120° and 360°. To the connection via hoses in open undercounter boilers. Single lever mixer with mixer cartridge with ceramic disc technology and adjustable, turn-proof temperature stop. Alternative activation using hand reflection via an opto-electronic sensor for time-controlled water release with preset mixing water temperature. Mixer cartridge, solenoid valve and sensor with control electronics in all-metal housing, brushed stainless steel. With beam shaper. Projection 220 mm. Activated water hygiene flushing 24 hours after last activation, safety switch-off for continuous reflection and saving of statistical data. With option for parametrisation and communication via optional, bidirectional remote control. Optionally for battery operation with battery compartment including 6 V lithium battery (CR-P2) per fitting for installation under the kitchen sink or for separate power supply via 6.75 V/12 V DC power supply unit or AQUA 3000 open system accessories.



Battery compartment including battery or power supply unit with extension cable must be ordered separately.

F5LME002 2030061065

Mandatory accessories (optionally)

Battery compartment including 6 V battery

ACEX9023 3600002063

Power supply unit

ACEX9001 2030039477

Extension cable 5 m (per tap)

ACEX9010 2030043814

Plug-in power supply unit

ACEX9022 3600002062

Power supply for installation in the wall with connecting cable 1 m

ACEX9003 2030039825

Optional accessories

Low-level hot water heater, 5 litre

ACXM1001 2000109145

Electronic module EM5 with ID 02160

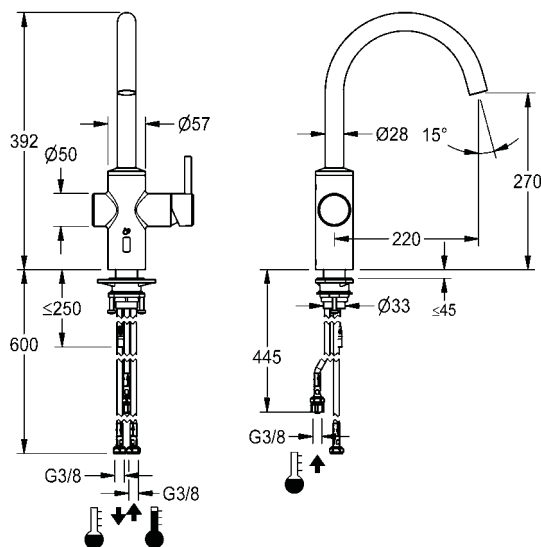
ACEM1001 3600000504

Electronic module EM5 with ID 02160, with flush box

ACEM1002 3600000505

Bidirectional remote control, two-button remote control, see page 63

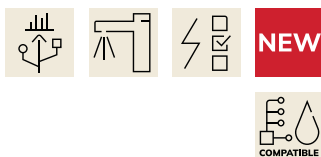
AQUA 3000 open system accessories, see "AQUA 3000 open" section



KWC F5 hybrid washbasin tap

Type

Article Number

**F5LME hybrid washbasin tap**

F5LME hybrid washbasin tap DN 15 as pillar mixer with swivelling spout, can be locked in the centre position. Adjustable swivel ranges of 50°, 120° and 360°. For connection to hot water and cold water via hoses with strainers. Single lever mixer with mixer cartridge with ceramic disc technology and adjustable, turn-proof temperature stop. Alternative activation using hand reflection via an opto-electronic sensor for time-controlled water release with preset mixing water temperature. Mixer cartridge, solenoid valve and sensor with control electronics in all-metal housing, brushed stainless steel. Laminar jet controller with integrated flow rate controller (8.0 l/min). Projection 220 mm. Activated water hygiene flushing 24 hours after last activation, safety switch-off for continuous reflection and saving of statistical data. With option for parametrisation and communication via optional, bidirectional remote control. Optionally for battery operation with battery compartment including 6 V lithium battery (CR-P2) per fitting for installation under the kitchen sink or for separate power supply via 6.75 V/12 V DC power supply unit or AQUA 3000 open system accessories.

Battery compartment including battery or power supply unit with extension cable must be ordered separately.



F5LME005 3600008404

Mandatory accessories (optionally)

Battery compartment including 6 V battery

ACEX9023 3600002063

Power supply unit

ACEX9001 2030039477

Extension cable 5 m (per tap)

ACEX9010 2030043814

Plug-in power supply unit

ACEX9022 3600002062

Power supply for installation in the wall with connecting cable 1 m

ACEX9003 2030039825

Optional accessories

Electronic module EM5 with ID 02160

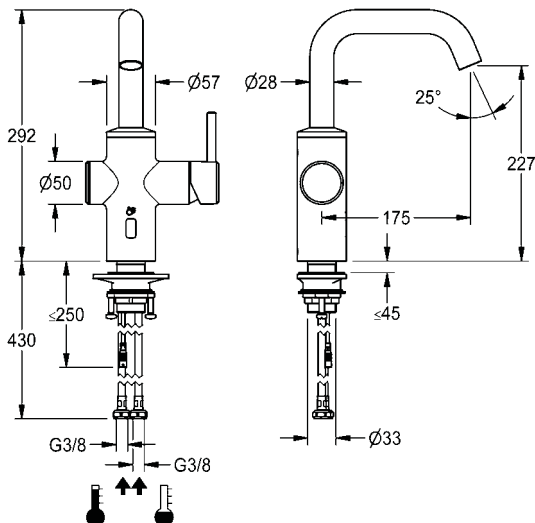
ACEM1001 3600000504

Electronic module EM5 with ID 02160, with flush box

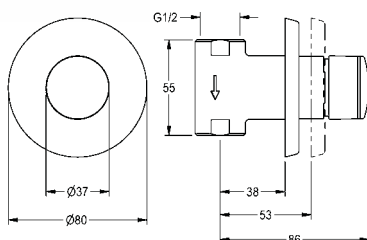
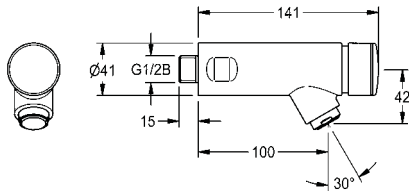
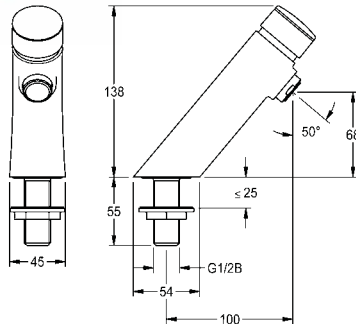
ACEM1002 3600000505

Bidirectional remote control, two-button remote control, under-table thermostat see page 63

AQUA 3000 open system accessories, see "AQUA 3000 open" section"



KWC F3 self-closing valves



Type	Article Number
------	----------------

F3S self-closing pillar tap

F3S Self-closing pillar tap DN 15 for sanitary facilities. Self-closing cartridge, hydraulically controlled, piston-free design, self-closing, stepless adjustment of flow duration. For connection to pre-mixed hot water or cold water. Casing, high-polished chromium-plated brass. Aerator with an integrated flow regulator 3.0 l/min.

F3SV1101	3600001423
with anti-blocking system 2 (ABS2) for safety switch-off when actuated continuously	
F3SV1004	2030049135

Optional accessories

Theft-proof housing for aerator	
ZTAPS0005	2000104778
Anti-twist protection	
ACSV1001	2030041946

Under-table thermostat, additional aerators, see "Washbasin tap accessories", page 61 onwards

F3S self-closing bib tap

F3S self-closing bib tap DN 15 for wall mounting for sanitary facilities. Self-closing cartridge, hydraulically controlled, piston-free design, self-closing, stepless adjustment of flow duration. For connection to pre-mixed hot water or cold water. Casing, high-polished chromium-plated brass. Aerator with an integrated flow regulator 3.0 l/min.

F3SV1102	3600001424
with anti-blocking system 2 (ABS2) for safety switch-off when actuated continuously	
F3SV1005	2030049137

Optional accessories

Theft-proof housing for aerator	
ZTAPS0005	2000104778
Extension adapter, stackable (30 mm)	
ZAQUA002	2000101433
Rosette for compensating length	
ZAQUA003	2000101432

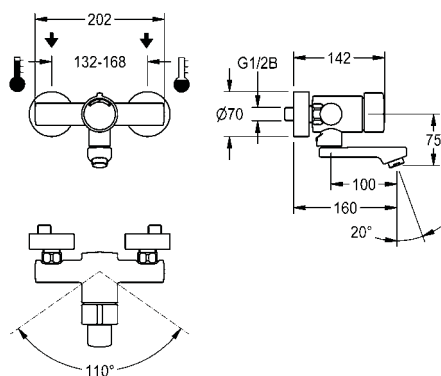
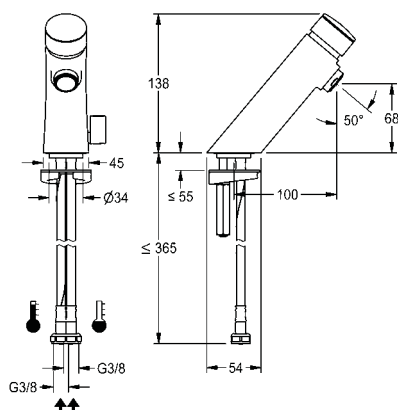
Outlet extension	
AQRM909	2000101463
Additional aerators, see "Washbasin taps accessories", page 61 onwards	

F3S self-closing gate valve

F3S self-closing DN 15 shower valve for wall mounting with noise-reducing styrene cladding. Self-closing hydraulically controlled functional part with a piston-free design, and continuously adjustable flow duration. For connection to pre-mixed hot water or cold water. Housing includes shuttle valve position, with interior thread G 1/2, visible parts made of high-polished chrome-plated brass. With rosette, depth adjustability 15 mm.

F3SV1003	2030048760
-----------------	------------

KWC F3 self-closing mixers



Type	Article Number
------	----------------

F3S-Mix self-closing pillar mixer

F3S-Mix self-closing pillar mixer DN 15 for sanitary facilities. Self-closing cartridge, hydraulically controlled, piston-free design, self-closing, stepless adjustment of flow duration. For connection to hot water and cold water via hoses with integrated backflow preventer and strainers. Temperature lever with adjustable, turn-proof temperature stop. Casing, high-polished chromium-plated brass. Aerator with an integrated flow regulator 3.0 l/min.

F3SM1101 3600001425

with anti-blocking system 2 (ABS2) for safety switch-off when actuated continuously

F3SM1008 2030049136

Optional accessories

Anti-twist protection

ACXX1001 2030035383

Theft-proof housing for aerator

ZTAPS0005 2000104778

Under-table thermostat, additional aerators, see "Washbasin tap accessories", page 61 onwards

F3S-Mix self-closing wall-mounted mixer

F3S-Mix self-closing wall-mounted mixer DN 15 as single-mixer tap for wall mounting with lockable swivelling spout, for sanitary facilities. Self-closing mixing cartridge, hydraulically controlled, piston-free design, self-closing, stepless adjustment of flow duration. With adjustable, turn-proof temperature stop. Connects to hot and cold water. Casing, high-polished chromium-plated brass. Laminar jet controller with integrated flow regulator 6.0 l/min. With adjustable connections, backflow preventer, strainers and screw rosettes.

Projection 160 mm

F3SM1003 2030036196

Projection 100 mm

F3SM1002 2030036195

Projection 220 mm

F3SM1004 2030036197

with projection 100 mm and aerator with **flow regulator 3.0 l/min**

F3SM1005 2030039562

with projection 160 mm and aerator with **flow regulator 3.0 l/min**

F3SM1006 2030040037

with projection 220 mm and aerator with **flow regulator 3.0 l/min**

F3SM1007 2030040038

Optional accessories

Theft-proof housing for aerator

ZTAPS0005 2000104778

Adjustable and lockable screw connection, packing unit 2 pieces

ACXX9001 2030041416

Additional aerators, see "Washbasin tap accessories", page 61 onwards



F3E electronic pillar tap with battery compartment



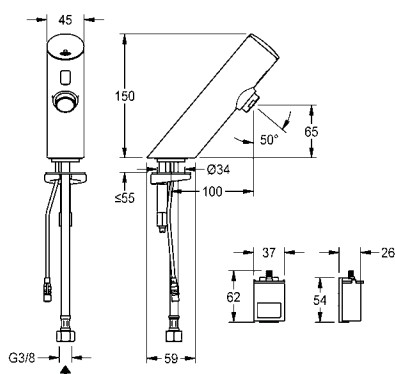
F3E pillar tap DN 15 for sanitary facilities, opto-electronically controlled. For connection to pre-mixed hot or cold water via hose and strainer. Control electronics, solenoid valve cartridge and sensor in all-metal housing, high-polished chromium-plated brass. Aerator with integrated flow regulator 6.0 l/min. Activated water hygiene flushing 24 hours after last activation, safety switch-off with continuous reflection and saving of statistical data. With option for parameterization and communication via optional, bidirectional remote control. With battery compartment including 6 V lithium battery (CR-P2) for installation under the washbasin.

F3EV1001	2030033385
-----------------	------------

with flow regulator 3.0 l/min

F3EV1006	2030039462
-----------------	------------

Bidirectional remote control, two-button remote control, under-table thermostat, additional aerators, see "Washbasin tap accessories", page 61 onwards



F3E electronic pillar tap with plug-in power supply unit



F3E pillar tap DN 15 for sanitary facilities, opto-electronically controlled. For connection to pre-mixed hot or cold water via hose and strainer. Control electronics, solenoid valve cartridge and sensor in all-metal housing, high-polished chromium-plated brass. Aerator with integrated flow regulator 6.0 l/min. Activated water hygiene flushing 24 hours after last activation, safety switch-off with continuous reflection and saving of statistical data. With option for parameterization and communication via optional, bidirectional remote control. With 100 - 240 V AC plug-in power supply unit.

F3EV1002	2030033387
-----------------	------------

with flow regulator 3.0 l/min

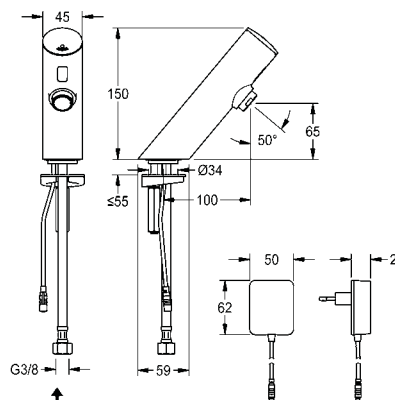
F3EV1007	2030039463
-----------------	------------

Optional accessories

Extension cable 5 m

ACEX9010	2030043814
-----------------	------------

Bidirectional remote control, two-button remote control, under-table thermostat, additional aerators, see "Washbasin tap accessories", page 61 onwards

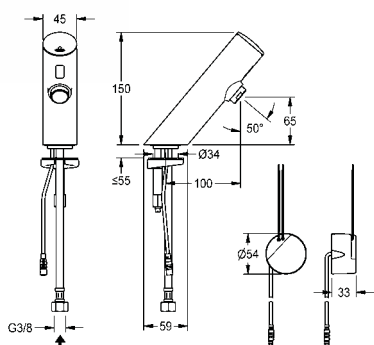


KWC F3 electronic valves

Type	Article Number
------	----------------

**F3E electronic pillar tap with in-wall power supply**

F3E pillar tap DN 15 for sanitary facilities, opto-electronically controlled. For connection to pre-mixed hot or cold water via hose and strainer. Control electronics, solenoid valve cartridge and sensor in all-metal housing, high-polished chromium-plated brass. Aerator with integrated flow regulator 6.0 l/min. Activated water hygiene flushing 24 hours after last activation, safety switch-off with continuous reflection and saving of statistical data. With option for parameterization and communication via optional, bidirectional remote control. With in-wall power supply 100 - 240 V AC.



F3EV1003	2030033544
-----------------	------------

with flow regulator 3.0 l/min

F3EV1008	2030039464
-----------------	------------

Optional accessories

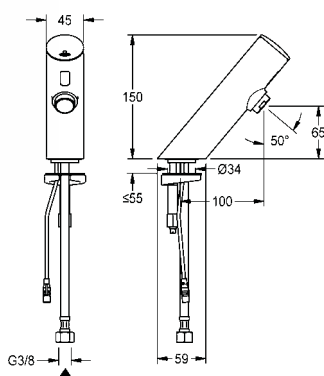
Extension cable 5 m

ACEX9010	2030043814
-----------------	------------

Bidirectional remote control, two-button remote control, under-table thermostat, additional aerators, see "Washbasin tap accessories", page 61 onwards

**F3E electronic pillar tap for separate power supply**

F3E pillar tap DN 15 for sanitary facilities, opto-electronically controlled. For connection to pre-mixed hot or cold water via hose and strainer. Control electronics, solenoid valve cartridge and sensor in all-metal housing, high-polished chromium-plated brass. Aerator with integrated flow regulator 6.0 l/min. Activated water hygiene flushing 24 hours after last activation, safety switch-off with continuous reflection and saving of statistical data. With option for parameterization and communication via optional, bidirectional remote control. Separate power supply via power supply unit 6.75 V / 12 V DC.



F3EV1005	2030039459
-----------------	------------

with flow regulator 3.0 l/min

F3EV1009	2030039465
-----------------	------------

Mandatory accessories

Power supply unit

ACEX9001	2030039477
-----------------	------------

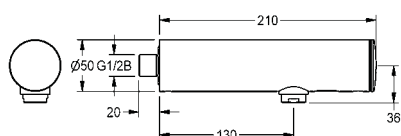
Extension cable 5 m

ACEX9010	2030043814
-----------------	------------

Bidirectional remote control, two-button remote control, under-table thermostat, additional aerators, see "Washbasin tap accessories", page 61 onwards

**F3E electronic bib tap with battery operation**

F3E bib tap DN 15 for wall mounting for sanitary facilities, opto-electronically controlled. For connection to pre-mixed hot or cold water. Control electronics, solenoid valve cartridge, 6 V lithium battery (CR-P2) and sensor in all-metal housing, high-polished chromium-plated brass. Aerator with integrated flow regulator 6.0 l/min. Activated water hygiene flushing 24 hours after last activation, safety switch-off with continuous reflection and saving of statistical data. With option for parameterization and communication via optional, bidirectional remote control.



F3EV1004	2030036177
-----------------	------------

with flow regulator 3.0 l/min

F3EV1022	2030040224
-----------------	------------

Optional accessories

Extension adapter, 30 mm, 1-times stackable, polished chromium-plated brass

ACEV1001	2030043823
-----------------	------------

Bidirectional remote control, two-button remote control, additional aerators, see "Washbasin tap accessories", page 61 onwards

Type **Article Number**



F3E-Mix electronic pillar mixer with battery compartment

F3E-Mix pillar mixer DN 15 for sanitary facilities, opto-electronically controlled. For connection to hot and cold water via hoses with integrated backflow preventer and strainers. Control electronics, solenoid valve cartridge and sensor in all-metal housing, high-polished chromium-plated brass, with temperature lever and adjustable, turn-proof temperature stop. Aerator with integrated flow regulator 6.0 l/min. Activated water hygiene flushing 24 hours after last activation, safety switch-off with continuous reflection and saving of statistical data. With option for parameterization and communication via optional, bidirectional remote control. With battery compartment including 6 V lithium battery (CR-P2) for installation under the washbasin.

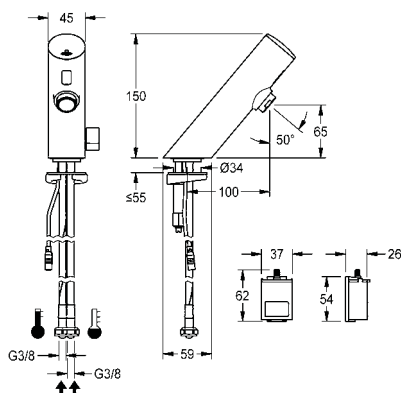


F3EM1001 2030033388

with flow regulator 3.0 l/min

F3EM1006 2030039470

Bidirectional remote control, two-button remote control, under-table thermostat, additional aerators, see "Washbasin tap accessories", page 61 onwards



F3E-Mix electronic pillar mixer with plug-in power supply unit

F3E-Mix pillar mixer DN 15 for sanitary facilities, opto-electronically controlled. For connection to hot and cold water via hoses with integrated backflow preventer and strainers. Control electronics, solenoid valve cartridge and sensor in all-metal housing, high-polished chromium-plated brass, with temperature lever and adjustable, turn-proof temperature stop. Aerator with integrated flow regulator 6.0 l/min. Activated water hygiene flushing 24 hours after last activation, safety switch-off with continuous reflection and saving of statistical data. With option for parameterization and communication via optional, bidirectional remote control. With 100 - 240 V AC plug-in power supply unit.



F3EM1002 2030033389

with flow regulator 3.0 l/min

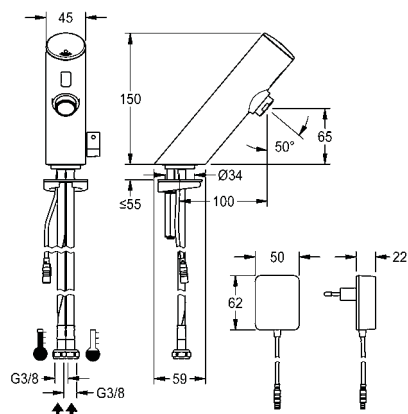
F3EM1007 2030039471

Optional accessories

Extension cable 5 m

ACEX9010 2030043814

Bidirectional remote control, two-button remote control, under-table thermostat, additional aerators, see "Washbasin tap accessories", page 61 onwards



Type **Article Number**



F3E-Mix electronic pillar mixer with in-wall power supply

F3E-Mix pillar mixer DN 15 for sanitary facilities, opto-electronically controlled. For connection to hot and cold water via hoses with integrated backflow preventer and strainers. Control electronics, solenoid valve cartridge and sensor in all-metal housing, high-polished chromium-plated brass, with temperature lever and adjustable, turn-proof temperature stop. Aerator with integrated flow regulator 6.0 l/min. Activated water hygiene flushing 24 hours after last activation, safety switch-off with continuous reflection and saving of statistical data. With option for parameterization and communication via optional, bidirectional remote control. With in-wall power supply 100 - 240 V AC.



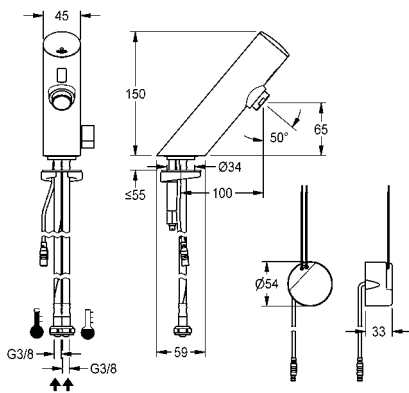
F3EM1003	2030033545
with flow regulator 3.0 l/min	
F3EM1008	2030039472

Optional accessories

Extension cable 5 m

ACEX9010	2030043814
-----------------	------------

Bidirectional remote control, two-button remote control, under-table thermostat, additional aerators, see "Washbasin tap accessories", page 61 onwards



F3E-Mix electronic pillar mixer for separate power supply

F3E-Mix pillar mixer DN 15 for sanitary facilities, opto-electronically controlled. For connection to hot and cold water via hoses with integrated backflow preventer and strainers. Control electronics, solenoid valve cartridge and sensor in all-metal housing, high-polished chromium-plated brass, with temperature lever and adjustable, turn-proof temperature stop. Aerator with integrated flow regulator 6.0 l/min. Activated water hygiene flushing 24 hours after last activation, safety switch-off with continuous reflection and saving of statistical data. With option for parameterization and communication via optional, bidirectional remote control. Separate power supply via power supply unit 6.75 V / 12 V DC.



F3EM1005	2030039469
with flow regulator 3.0 l/min	
F3EM1009	2030039473

Mandatory accessories

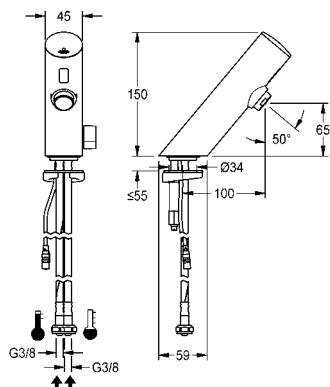
Power supply unit

ACEX9001	2030039477
-----------------	------------

Extension cable 5 m

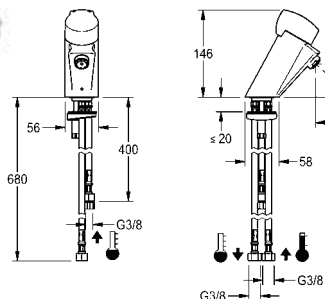
ACEX9010	2030043814
-----------------	------------

Bidirectional remote control, two-button remote control, under-table thermostat, additional aerators, see "Washbasin tap accessories", page 61 onwards



KWC Self-closing tap, electronic taps

Type	Article Number
------	----------------



AQUAMIX ZERO self-closing pillar mixer for hot water heaters

AQUAMIX ZERO self-closing single mixer DN 15 as pillar mixer, with open low-level domestic hot water heaters, for open low-level domestic hot water heaters, flow time adjustable, polished chromium-plated brass, with grip cap or lever cap in metal construction.

With grip cap

AQRM176	2000101062
----------------	------------

Optional accessories

Low-level hot water heater, 5 litre	
ACXM1001	2000109145



PROTRONIC-S electronic pillar tap with battery operation

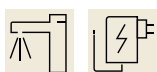
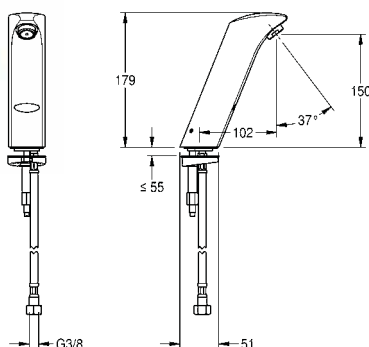
PROTRONIC-S battery-supplied washbasin tap with touch-free operation, DN 15 with aerator and integrated flow control, for connection to pre-mixed warm or cold water supply, polished chromium-plated brass, 6 V battery.

AQUA131	2000067774
----------------	------------

Optional accessories

Remote control for setting the function parameters	
ZAQUA091	2000101087

Under-table thermostat, additional aerators, see "Washbasin tap accessories", page 61 onwards



PROTRONIC-S electronic pillar tap with plug-in power supply unit

PROTRONIC-S mains-supplied washbasin tap with touch-free operation, DN 15 with aerator and integrated flow control, for connection to pre-mixed warm or cold water supply, polished chromium-plated brass and plug-in power supply with EU male connector, 230 V AC.

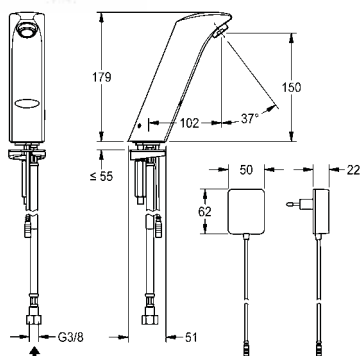
PRTRS0011	2030025088
------------------	------------

Optional accessories

Remote control for setting the function parameters	
ZAQUA091	2000101087

Extension cable 5 m	
ACEX9010	2030043814

Under-table thermostat, additional aerators, see "Washbasin tap accessories", page 61 onwards



Type	Article Number
------	----------------



PROTRONIC-S electronic pillar tap with in-wall power supply

PROTRONIC-S mains-supplied washbasin tap with touch-free operation, DN 15 with aerator and integrated flow control, for connection to pre-mixed warm or cold water, polished chromium-plated brass. With power supply for installation in the wall, 230 V AC.

AQUA135	2000102697
----------------	------------

Optional accessories

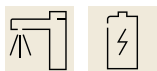
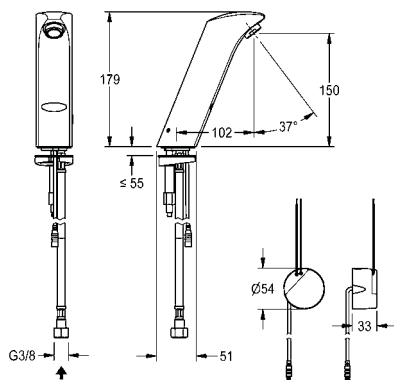
Remote control for setting the function parameters

ZAQUA091	2000101087
-----------------	------------

Extension cable 5 m

ACEX9010	2030043814
-----------------	------------

Under-table thermostat, additional aerators, see "Washbasin tap accessories", page 61 onwards



PROTRONIC-S electronic pillar mixer with battery operation

PROTRONIC-S battery-supplied washbasin mixer with touch-free operation, DN 15 with aerator and integrated flow control, for connection to hot and cold water supply, polished chromium-plated brass. With temperature selection lever and conversion set for concealed mixing device, 6 V battery.

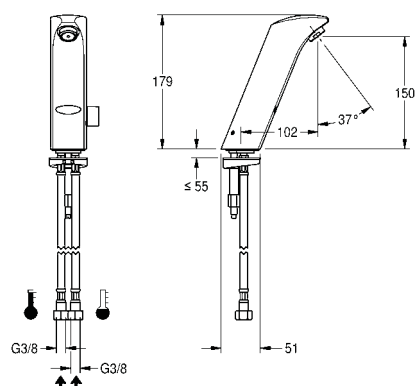
AQUA130	2000067773
----------------	------------

Optional accessories

Remote control for setting the function parameters

ZAQUA091	2000101087
-----------------	------------

Under-table thermostat, additional aerators, see "Washbasin tap accessories", page 61 onwards



Type	Article Number
------	----------------



PROTRONIC-S electronic pillar mixer with plug-in power supply unit

PROTRONIC-S mains-supplied washbasin mixer with touch-free operation, DN 15 with aerator and integrated flow control, for connection to hot and cold water supply, polished chromium-plated brass. With temperature selection lever, conversion set for concealed mixing device and plug-in power supply with EU male connector, 230 V AC.

PRTRS0009	2030025078
------------------	------------

Optional accessories

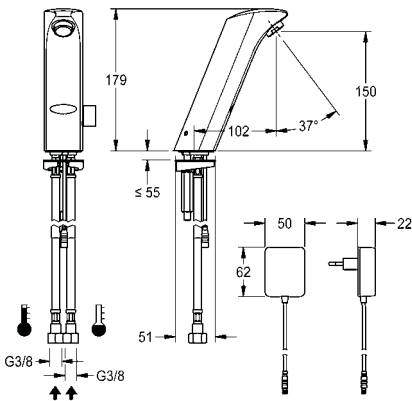
Remote control for setting the function parameters

ZAQUA091	2000101087
-----------------	------------

Extension cable 5 m

ACEX9010	2030043814
-----------------	------------

Under-table thermostat, additional aerators, see "Washbasin tap accessories", page 61 onwards



PROTRONIC-S electronic pillar mixer with in-wall power supply

PROTRONIC-S mains-supplied washbasin mixer with touch-free operation, DN 15 with aerator and integrated flow control, for connection to hot and cold water supply, polished chromium-plated brass. With temperature selection lever, conversion set for concealed mixing device and with power supply for installation in the wall, 230 V AC.

AQUA134	2000102693
----------------	------------

Optional accessories

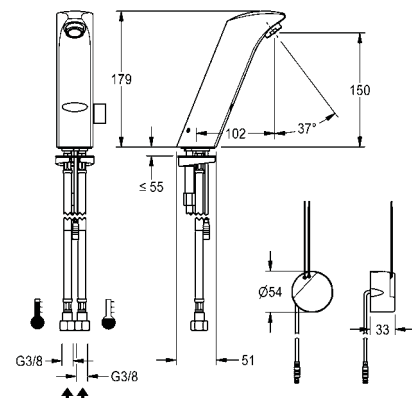
Remote control for setting the function parameters

ZAQUA091	2000101087
-----------------	------------

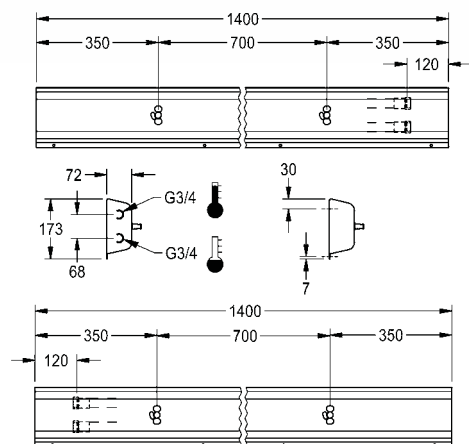
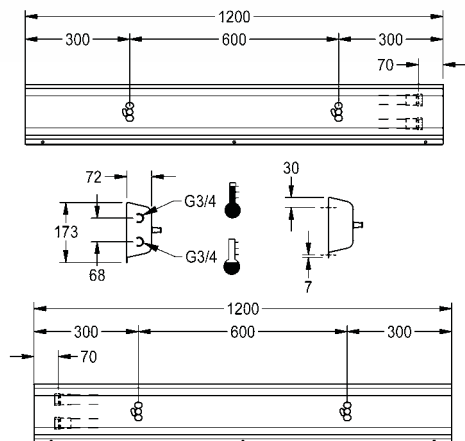
Extension cable 5 m

ACEX9010	2030043814
-----------------	------------

Under-table thermostat, additional aerators, see "Washbasin tap accessories", page 61 onwards



KWC Fitting units



Type	Article Number
------	----------------

Fitting unit for wall mounting

Fitting unit ready for connection with 2 wash places, for wall mounting, for connection to hot and cold water from right or left at rear. Housing made of stainless steel, satin finished with pre-assembled fitting connection blocks and connection options for power supply to electronic fittings, stainless steel piping, hanging rail and mounting materials.

Dimensions of housing 1200 x 173 x 72 mm (W x H x D)

Wash place width 600 mm

AQFU0216	2030064892
-----------------	------------

with 3 wash places, housing width 1800 mm	
---	--

AQFU0217	2030064895
-----------------	------------

with 4 wash places, housing width 2400 mm	
---	--

AQFU0218	2030064897
-----------------	------------

with 5 wash places, housing width 3000 mm	
---	--

AQFU0219	2030064898
-----------------	------------

with 6 wash places, housing width 3600 mm	
---	--

AQFU0220	2030064899
-----------------	------------

Mandatory accessories (optionally)

F5S-Mix Self-closing single-mixer

F5SM1011	2030058991
-----------------	------------

F5L-Therm single-lever thermostatic mixer

F5LT1033	2030065268
-----------------	------------

F5E-Mix Electronic washbasin mixer

F5EM1015	2030058995
-----------------	------------

Fitting unit for wall mounting

Fitting unit ready for connection with 2 wash places, for wall mounting, for connection to hot and cold water from right or left at rear. Housing made of stainless steel, satin finished with pre-assembled fitting connection blocks and connection options for power supply to electronic fittings, stainless steel piping, hanging rail and mounting materials.

Dimensions of housing 1400 x 173 x 72 mm (W x H x D)

Wash place width 700 mm

AQFU0221	2030064904
-----------------	------------

with 3 wash places, housing width 2100 mm	
---	--

AQFU0222	2030064903
-----------------	------------

with 4 wash places, housing width 2800 mm	
---	--

AQFU0223	2030064907
-----------------	------------

with 5 wash places, housing width 3500 mm	
---	--

AQFU0224	2030064912
-----------------	------------

with 6 wash places, housing width 4200 mm	
---	--

AQFU0225	2030064917
-----------------	------------

Mandatory accessories (optionally)

F5S-Mix Self-closing single-mixer

F5SM1011	2030058991
-----------------	------------

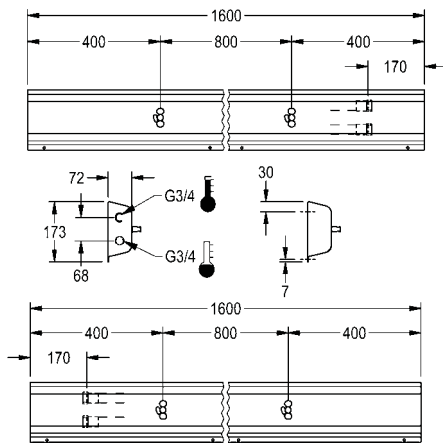
F5L-Therm single-lever thermostatic mixer

F5LT1033	2030065268
-----------------	------------

F5E-Mix Electronic washbasin mixer

F5EM1015	2030058995
-----------------	------------

KWC Fitting units



Type	Article Number
------	----------------

Fitting unit for wall mounting

Fitting unit ready for connection with 2 wash places, for wall mounting, for connection to hot and cold water from right or left at rear. Housing made of stainless steel, satin finished with pre-assembled fitting connection blocks and connection options for power supply to electronic fittings, stainless steel piping, hanging rail and mounting materials.

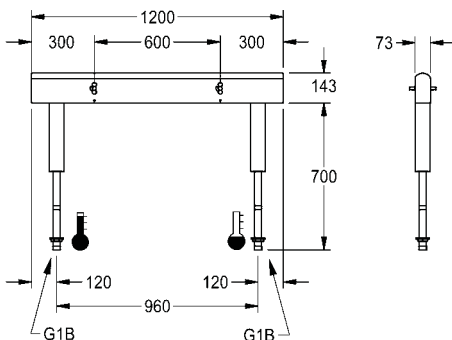
Dimensions of housing 1600 x 173 x 72 mm (W x H x D)

Wash place width 800 mm

AQFU0226	2030064918
with 3 wash places, housing width 2400 mm	
AQFU0227	2030064919
with 4 wash places, housing width 3200 mm	
AQFU0228	2030064920
with 5 wash places, housing width 4000 mm	
AQFU0229	2030064921

Mandatory accessories (optionally)

F5S-Mix Self-closing single-mixer	
F5SM1011	2030058991
F5L-Therm single-lever thermostatic mixer	
F5LT1033	2030065268
F5E-Mix Electronic washbasin mixer	
F5EM1015	2030058995



Fitting unit for double-row sanitary facilities

Fitting unit ready for connection with 4 wash places, for mounting on double-row sanitary facilities, for connection to hot and cold water from below via guide pipe holders. Housing made of stainless steel, satin finished with pre-assembled fitting connection blocks, connection options for power supply to electronic fittings, and stainless steel piping.

Dimensions of housing 1200 x 470 x 73 mm (W x H x D)

Wash place width 600 mm

AQFU0230	2030064965
with 6 wash places, housing width 1800 mm	
AQFU0231	2030064966
with 8 wash places, housing width 2400 mm	
AQFU0232	2030064967
with 10 wash places, housing width 3000 mm	
AQFU0233	2030064969
with 12 wash places, housing width 3600 mm	
AQFU0234	2030064971

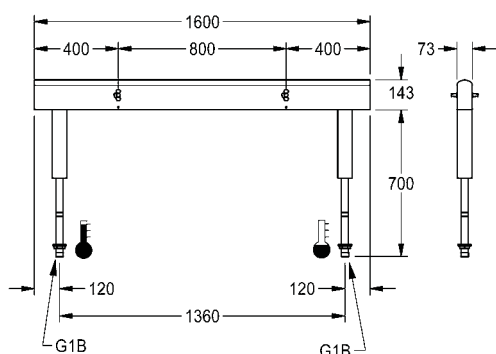
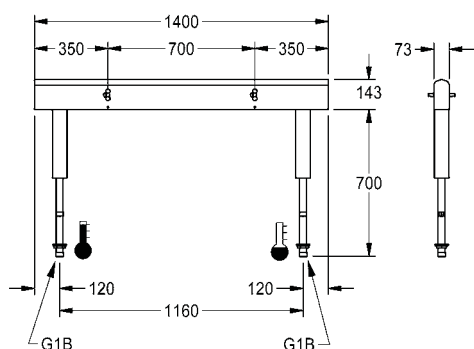
Mandatory accessories (optionally)

F5S-Mix Self-closing single-mixer	
F5SM1011	2030058991
F5E-Mix Electronic washbasin mixer	
F5EM1015	2030058995
F5L-Therm single-lever thermostatic mixer	
F5LT1033	2030065268

Optional accessories

Spacer sleeve, packaging unit: 2 pieces	
ZAQFU0002	2030021234
Installation adapter for central support column, high-polished chrome-plated brass, for PRESTIGE series with 8 or more washbasins	
ZAQFU0001	2030021225

KWC Fitting units



Type	Article Number
------	----------------

Fitting unit for double-row sanitary facilities

Fitting unit ready for connection with 4 wash places, for mounting on double-row sanitary facilities, for connection to hot and cold water from below via guide pipe holders. Housing made of stainless steel, satin finished with pre-assembled fitting connection blocks, connection options for power supply to electronic fittings, and stainless steel piping.

Dimensions of housing 1400 x 470 x 73 mm (W x H x D)

Wash place width 700 mm

AQFU0235	2030064973
-----------------	------------

with 6 wash places, housing width 2100 mm	
---	--

AQFU0236	2030064974
-----------------	------------

with 8 wash places, housing width 2800 mm	
---	--

AQFU0237	2030064977
-----------------	------------

with 10 wash places, housing width 3500 mm	
--	--

AQFU0238	2030064979
-----------------	------------

with 12 wash places, housing width 4200 mm	
--	--

AQFU0239	2030064984
-----------------	------------

Mandatory accessories (optionally)

F5S-Mix Self-closing single-mixer

F5SM1011	2030058991
-----------------	------------

F5L-Therm single-lever thermostatic mixer

F5LT1033	2030065268
-----------------	------------

F5E-Mix Electronic washbasin mixer

F5EM1015	2030058995
-----------------	------------

Optional accessories

Spacer sleeve, packaging unit: 2 pieces

ZAQFU0002	2030021234
------------------	------------

Installation adapter for central support column, high-polished chrome-plated brass, for PRESTIGE series with 8 or more washbasins

ZAQFU0001	2030021225
------------------	------------

Fitting unit for double-row sanitary facilities

Fitting unit ready for connection with 4 wash places, for mounting on double-row sanitary facilities, for connection to hot and cold water from below via guide pipe holders. Housing made of stainless steel, satin finished with pre-assembled fitting connection blocks, connection options for power supply to electronic fittings, and stainless steel piping.

Dimensions of housing 1600 x 470 x 73 mm (W x H x D)

Wash place width 800 mm

AQFU0240	2030064986
-----------------	------------

with 6 wash places, housing width 2400 mm	
---	--

AQFU0241	2030064987
-----------------	------------

with 8 wash places, housing width 3200 mm	
---	--

AQFU0242	2030064988
-----------------	------------

with 10 wash places, housing width 4000 mm	
--	--

AQFU0243	2030064992
-----------------	------------

Mandatory accessories (optionally)

F5S-Mix Self-closing single-mixer

F5SM1011	2030058991
-----------------	------------

F5L-Therm single-lever thermostatic mixer

F5LT1033	2030065268
-----------------	------------

F5E-Mix Electronic washbasin mixer

F5EM1015	2030058995
-----------------	------------

Optional accessories

Spacer sleeve, packaging unit: 2 pieces

ZAQFU0002	2030021234
------------------	------------

Installation adapter for central support column, high-polished chrome-plated brass, for PRESTIGE series with 8 or more washbasins

ZAQFU0001	2030021225
------------------	------------

KWC Taps for tap units or as wall mixer with wall flange

Type **Article Number**



F5S-Mix self-closing single-mixer for fitting unit or wall flange

F5S-Mix Self-closing single-mixer DN 15 with angled outlet for installation on fitting units or separate wall flanges, for sanitary facilities. FRAMIC self-closing mixing cartridge, hydraulically controlled, low-maintenance and stagnation-free, with ceramic disc technology, automatic closing, flow pressure independent due to medium-independent design. Continuously adjustable flow duration. With adjustable, turn-proof temperature stop. For connection to hot and cold water. All-metal construction, high-polished chrome-plated brass. Anti-theft aerator, SLIM design, with integrated flow regulator 5.0 l/min. Connections positioned above one another with backflow preventers.



F5SM1011 2030058991

Mandatory accessories (optionally)

Wall flange

ACXM1002 2030058762

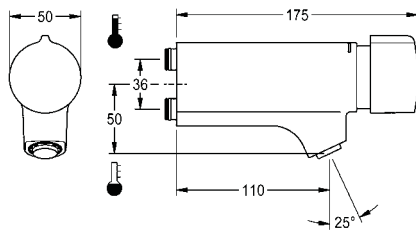
Single clamping bridge for installation on distribution lines positioned above one another

ACXM1003 2030058826

Double clamping bridge for installation on distribution lines positioned next to one another

ACXM1004 2030059971

Additional aerators, see "Washbasin tap accessories", page 61 onwards



F5E-Mix electronic washbasin mixer for fitting unit or wall flange

F5E-Mix Washbasin mixer DN 15 with angled outlet for installation on fitting units or separate wall flanges, for sanitary facilities. Opto-electronic control, activation on hand reflection. For connection to hot and cold water. Control electronics, solenoid valve cartridge, 6 V lithium battery (CR-P2) and sensor in all-metal housing, high-polished chrome-plated brass. Temperature lever with adjustable, turn-proof temperature stop. Anti-theft aerator, SLIM design, with integrated flow regulator 5.0 l/min. Connections positioned above one another with backflow preventers. Activated water hygiene flushing 24 hours after last activation, safety switch-off for continuous reflexion and saving of statistical data. With option for parameterization and communication via optional, bidirectional remote control.



F5EM1015 2030058995

Mandatory accessories (optionally)

Wall flange

ACXM1002 2030058762

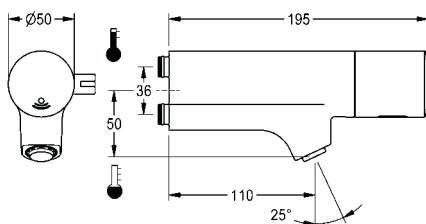
Single clamping bridge for installation on distribution lines positioned above one another

ACXM1003 2030058826

Double clamping bridge for installation on distribution lines positioned next to one another

ACXM1004 2030059971

Bidirectional remote control, two-button remote control, additional aerators, see "Washbasin tap accessories", page 61 onwards



KWC Taps for tap units or as wall mixer with wall flange

Type	Article Number
------	----------------



F5L-Therm single-lever thermostatic mixer for tap unit or wall flange

F5L-Therm single-lever thermostatic mixer DN 15 with slanted drain for mounting on tap unit or separate wall flange, for sanitary facilities. Thermostatically-controlled mixer cartridge with expansion element and active scald protection as well as adjustable and turn-proof temperature stop, and ceramic disc technology. For connection to hot and cold water. All-metal construction, high-polished chrome-plated brass. Anti-theft aerator, SLIM design, with integrated flow regulator 5.0 l/min. Connections positioned above one another with backflow preventers.



F5LT1033	2030065268
-----------------	------------

Mandatory accessories (optionally)

Wall flange

ACXM1002	2030058762
-----------------	------------

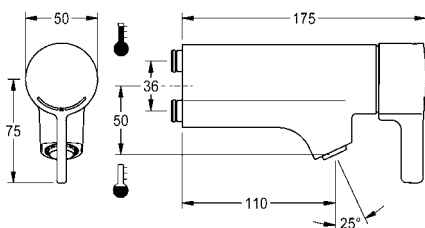
Single clamping bridge for installation on distribution lines positioned above one another

ACXM1003	2030058826
-----------------	------------

Double clamping bridge for installation on distribution lines positioned next to one another

ACXM1004	2030059971
-----------------	------------

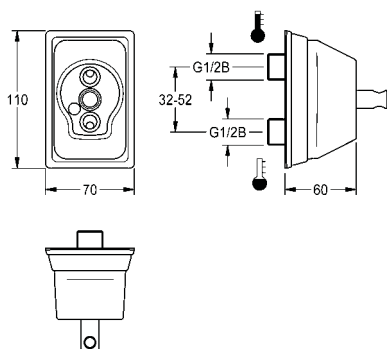
Additional aerators, see "Washbasin tap accessories", page 61 onwards



Wall flange

Wall flange for washbasin mixers with water connections positioned above one another. All-metal construction, high-polished chrome-plated brass, adjustable water connections.

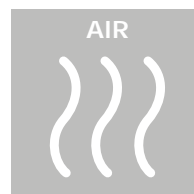
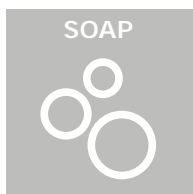
ACXM1002	2030058762
-----------------	------------



KWC FX-M wash place units



By operating the symbols for soap, water and hand drying (air or paper towel) which are illuminated discreetly the user interacts with FX-M easily.



KWC FX-M wash place units

FX-M is a compact and modular designed wash place unit for public and semi-public sanitary rooms of the future. The smart, lighted operation of the wash place unit is absolutely intuitive and touch-free for the user.



FX-Modular Wash place unit + QUADRO-FX single washbasin

All technical components are integrated in the modern housing.

Seamless Design

Integrative shape and reduced complexity improve cleaning and hygiene

Touch-Free Interaction

Hygienic and intuitive operation

Welcome Light Function

A light bar starts glowing while the front sensor detects the approaching user

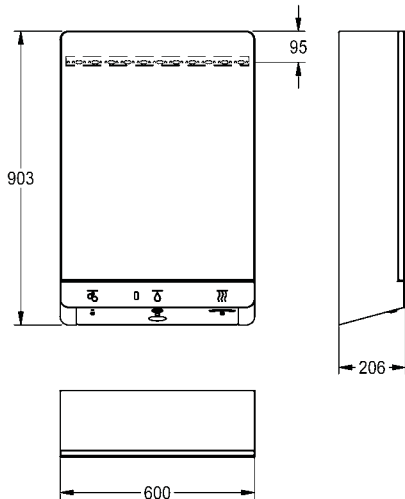
Reactive Light Bar

Invites and guides the user and optimizes the usage process

Wash Spotlight

A spotlight on the hands improves user experience while hand washing

KWC FX-M wash place units



Type	Article Number
------	----------------

FX-M wash place unit Water-Soap-Air

FX-M wash place unit Water-Soap-Air for wall mounting, touch free opto-electronically controlled. For hot and cold water connectivity. Thermostat for mounting onto angle valve with installation set for preset delivery of premixed hot water, soap pump for liquid soap and hand dryer. Lighting up of pictograms above the respective sensor position as well as start of wash place lighting indicate user detection. The pictogram of the active function is illuminated maximally. Cabinet housing made of powder coated stainless steel, white, mirrored door, door hinge left and cylinder lock.

Minimum flow pressure 1.0 bar
 Volume of water flow 6 l/min at 3 bar flow pressure
 Supply voltage 230 V AC, 50/60 Hz
 Overall power 1000 W
 Protection Degree IPX1
 Hand Dryer Air Volume 80 m³/h = 22 l/s
 Hand Dryer Air Velocity 95-115 m/s
 Dimensions 600 x 903 x 206 mm (W x H x D)

FXCD1001M	2030063219
------------------	------------

Optional accessories

QUADRO-FX single washbasin

ANMW0036	2030058091
-----------------	------------

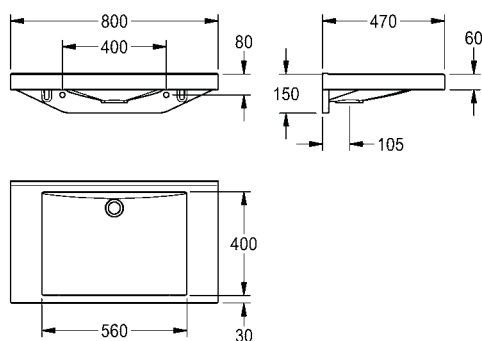
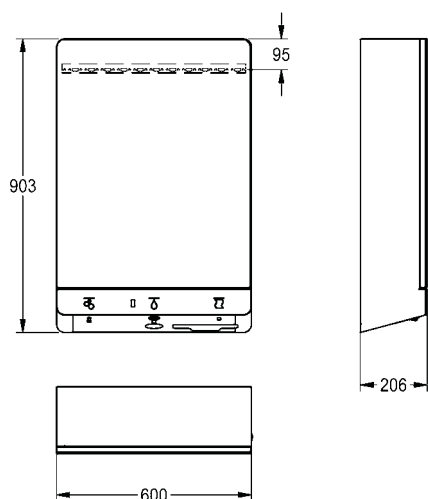
Bidirectional remote control

ACEX9005	2030036654
-----------------	------------

2-button remote control

ACEX9004	2030036849
-----------------	------------

KWC FX-M wash place units



Type	Article Number
------	----------------

FX-M wash place unit Water-Soap-Paper towel dispenser

FX-M wash place unit Water-Soap-Paper towel dispenser for wall mounting, touch free opto-electronically controlled. For hot and cold water connectivity. Thermostat for mounting onto angle valve with installation set for preset delivery of premixed hot water, soap pump for liquid soap and paper towel dispenser. Lighting up of pictograms above the respective sensor position as well as start of wash place lighting indicate user detection. The pictogram of the active function is illuminated maximally. Cabinet housing made of powder coated stainless steel, white, mirrored door, door hinge left and cylinder lock.

Minimum flow pressure 1.0 bar
 Volume of water flow 6 l/min at 3 bar flow pressure
 Supply voltage 230 V AC, 50/60 Hz
 Overall power 100 W
 Protection Degree IPX1
 Fill Volume of Paper Towel Dispenser 300 - 400 pieces
 (H2 - format with Z - folding)
 Dimensions 600 x 903 x 206 mm (W x H x D)

FXCT1001M	2030065018
------------------	------------

Optional accessories

QUADRO-FX single washbasin

ANMW0036	2030058091
-----------------	------------

Bidirectional remote control

ACEX9005	2030036654
-----------------	------------

2-button remote control

ACEX9004	2030036849
-----------------	------------

Consumables

Folded paper towels

ZACCS0001	2030067925
------------------	------------

QUADRO-FX single washbasin

QUADRO-FX single washbasin, made of MIRANIT resin-bonded mineral material, with pore-free, smooth surface (temperature-resistant up to 80 °C), Colour Alpine white. With seamless, rectangular bowl, without overflow and without tap ledge. Mounted on washbasin back panel. Three-sided apron 60 mm (H). Rear surge edge, including mounting material.

Dimensions 800 x 150 x 470 mm (W x H x D)
 Bowl dimensions 560 x 90 x 400 mm (W x H x D)

ANMW0036	2030058091
-----------------	------------

Optional accessories

Dome waste valve, chrome-plated

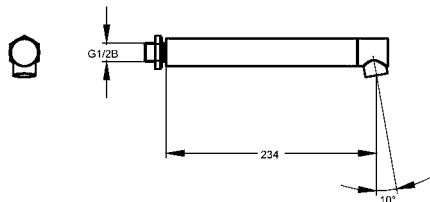
ZANMW0030	2030057337
------------------	------------

Dome waste valve, white (RAL 9003) powder-coated

ZANMW0031	2030057339
------------------	------------

Trap „Clic“

XINX140	2000057417
----------------	------------

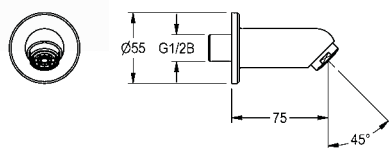


Type	Article Number
------	----------------

Wall outlet

Wall outlet, DN 15, with theft-proof aerator, polished chromium-plated brass, projection 234 mm.

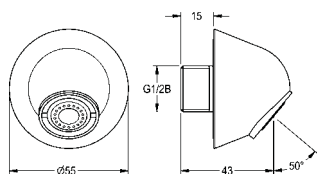
AQRM905	2000100805
Projection 165 mm	
AQRM906	2000100806
Projection 78 mm	
AQRM907	2000100809



Wall outlet

Wall outlet, DN 15, with aerator and rosette, polished chromium-plated brass, projection 75 mm.

AQRM908	2000101048
----------------	------------



Wall outlet

Wall outlet, DN 15, polished chromium-plated brass, suicide-inhibiting design, with theft-proof aerator and integrated flow control 0.063 l/s, tilt angle 50°, projection 28 mm.

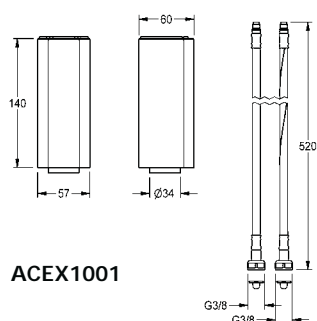
ZTAPS0004	2000107291
------------------	------------



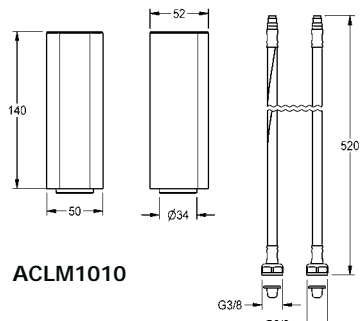
Socket

Socket for heightening of fitting housing at 140 mm, for F5E electronic pillar taps and pillar mixer. Polished chromium-plated brass.

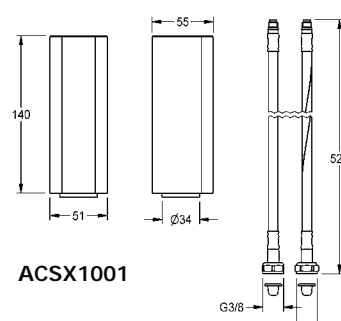
ACEX1001	2030040334
Socket for F5L single-lever pillar mixer	
ACLM1010	2030041325
Socket for F5S self-closing pillar taps and pillar mixer	
ACSX1001	2030041519



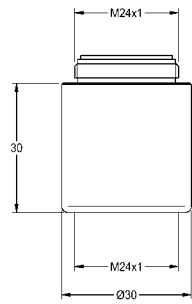
ACEX1001



ACLM1010



ACSX1001

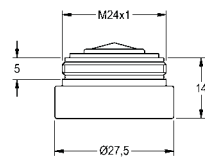
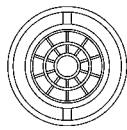


Type _____ **Article Number** _____

Outlet extension

Spout extension M 24 x 1, stackable, for taps, length 30 mm, polished chromium-plated brass.

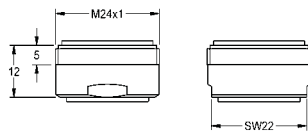
AQRM909 _____ 2000101463 _____



Aerator

Theft-proof aerator with integrated flow regulator 6.0 l/min, with male thread M 24 x 1, special key included.

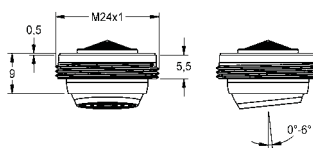
ZAQUA087 _____ 2000101160 _____



3.0 l/min. aerator

Aerator M 24 x 1, with integrated flow rate regulator 3.0 l/min. Packing unit 10 pieces

ASXX1008 _____ 2030041424 _____



5.0 l/min aerator, angle-adjustable

Theft-proof aerator, angle-adjustable +/- 6° in all directions, SLIM design, with integrated flow regulator 5.0 l/min, with male thread M 24 x 1, with mounting key.

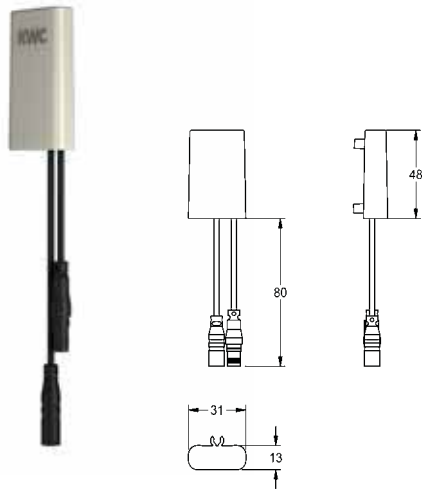
ACXX1002 _____ 2030041326 _____

Type	Article Number
------	----------------

C module

C module for compatible KWC electronic fittings for radio-controlled parameterization, read-out of statistical data, realisation of predefined calendar functions as well as grouping of fittings to perform predefined control functions via necessary app.

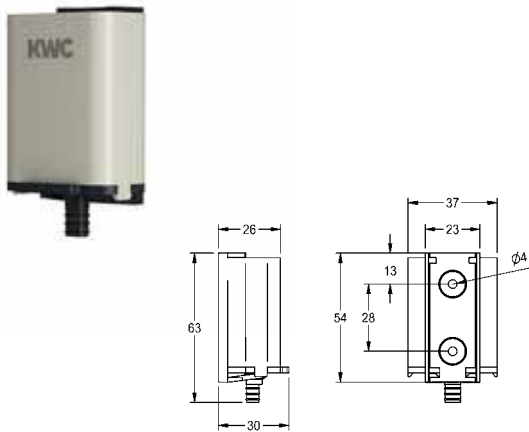
ACEX9020	3600001331
-----------------	------------



Battery compartment

Battery compartment with holder and 6 V lithium battery (CR-P2).

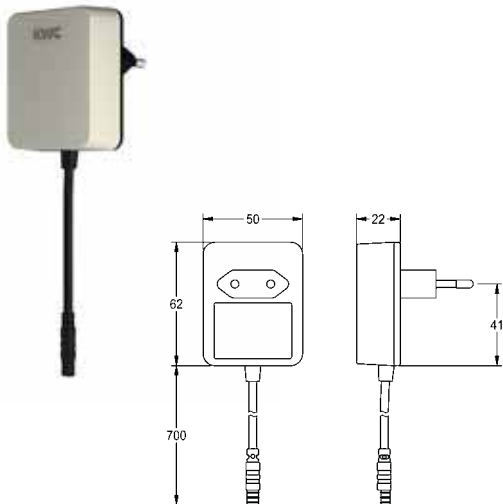
ACEX9023	3600002063
-----------------	------------



Plug-in power supply unit

Plug-in power supply unit with EU connection, 100-240 V AC - 6.75 V DC, with energy buffer for safety shutdown of connected tap technology in the event of a mains voltage failure.

ACEX9022	3600002062
-----------------	------------



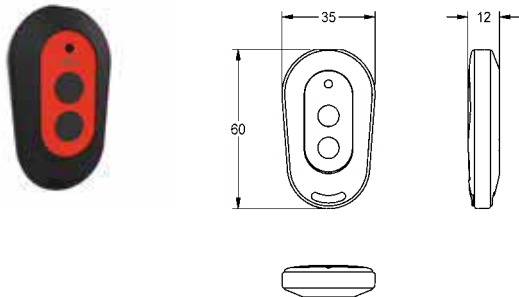
Type	Article Number
------	----------------



Bidirectional remote control for electronic fittings F3 and F5

Bidirectional remote control for setting function parameters, storage fitting profiles and statistical data for electronic fittings F3 and F5 as well as hygiene units. Parameter display on menu-driven color screen. With internal rechargeable battery, USB port for transfer of fitting specific statistical data as CSV file to PC. With possibility to import firmware files. Including protective bag and USB connecting cable.

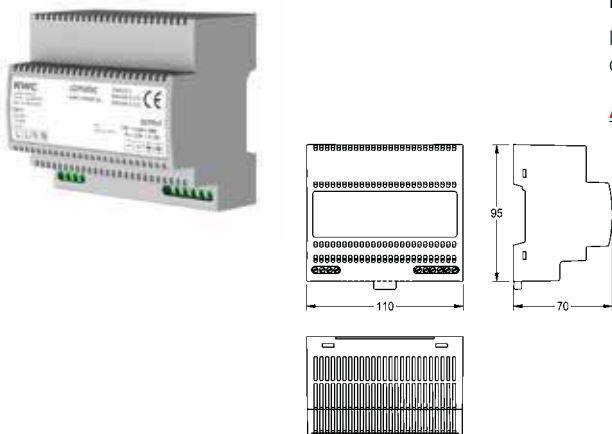
ACEX9005	2030036654
-----------------	------------



2-button remote control for fittings F3 and F5

2 buttons remote control for fittings F3 and F5 for activation cleaning switch-off for 1 minute and deactivation/activation of hygiene flush.

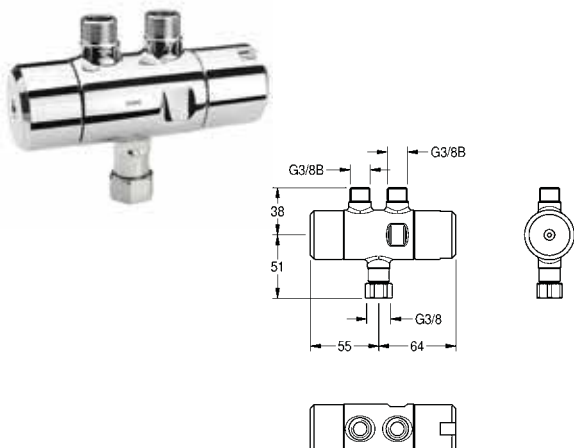
ACEX9004	2030036849
-----------------	------------



Power supply unit

Mains unit, for central power supply, operating voltage 100-240 V AC, output voltage switchable between 7 V DC, 31.5 W or 12 V DC, 50 W.

ACEX9001	2030039477
-----------------	------------



PURETHERM under-table thermostat

PURETHERM thermostatic mixing valve, DN 10 to be used as anti-scalding protection safety device for washbasin taps in case cold water supply fails. Outlets G 3/8 B and union nut G 3/8 for connection to the elbow valve underneath washbasins. With facilities for performing manual thermal disinfection.

Important note:
Installation kit for PURETHERM thermostatic mixing valve has to be ordered separately.

PURE0031	2030012758
-----------------	------------

Mandatory accessories

Connection set for PURETHERM thermostatic mixing valve

ZPURE0003	2030021893
------------------	------------



Washbasins, drinking fountains, multiple washtroughs

The use of 304 chrome-nickel steel as the material of choice for equipment in public and commercial sanitary facilities has become today's standard. The material is robust, easy to clean, 100 % recyclable and therefore particularly cost-effective. Thanks to their hygienic properties, single washbasins, washbasin units, drinking fountains and multiple washtroughs made of 304 chrome-nickel steel enable safe and clean sanitary equipment.

Stainless steel washbasins

ANIMA single washbasins	66
Accessories	74
ANIMA drinking fountain	75
ANIMA drinking fountain taps	78
PLANOX washbasin units	79
PLANOX washtroughs	81
PLANOX accessories	82
PRESTIGE washtrough	84

KWC ANIMA single washbasins

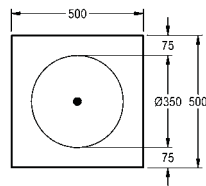
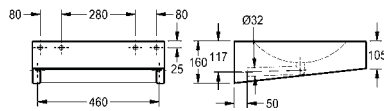
Type **Article Number**



ANIMA washbasin

Wash basin for disabled for wall mounting, stainless steel, surface satin finished, material thickness 1.2 mm, seamless welded round bowl with diameter 350 mm, rectangular shape, 75 mm tap ledge, without overflow, seamless welded waste with 32 mm drain pipe, drainage centric, prewelded mouting brackets, for recessed trap mounting - trap not included, mounting conform to EN 31, disabled accessible mounting possible, includes stainless steel screws and dowels.

Width 500 mm, without taphole
Dimensions 500 x 105/160 x 500 mm (W x H x D)



ANMX500 2000056724

With 35 mm diameter tap hole, centered

ANMX501 2000056774

Width 600 mm, without taphole

ANMX600 2000100022

Width 600 mm, with 35 mm diameter tap hole, centered

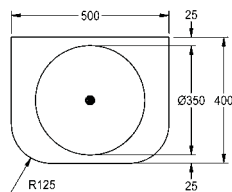
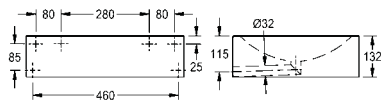
ANMX601 2000100023



ANIMA single washbasin

Single wash stand for wall-mounting, chrome-nickel steel, surface silk matt, material thickness 1.5 mm, barrier-free wash stand in acc. with SIA 500, seamlessly welded round basin, basin diameter of 350 mm, rectangular wash stand shape with front corners rounded, no bank of fittings, seamlessly integrated plug strainer and drainpipe DN 32, siphon mounted under plaster, not included, integrated and reinforced assembly panel measuring 280 mm, includes stainless steel screws and rawl plugs.

Dimensions 500 x 132 x 400 mm (W x H x D)



ANMX502 2030029755



ANIMA single washbasin

Single wash basin for wall-mounting, made of stainless steel, surface satin finished, material thickness 1.2 mm. Seamless wash basin in one piece with rounded edges, tap landing without tap hole, strainer waste valve, DN 40/50 siphon included, without overflow. Mounting from the front, fixing material included. Wash basin suitable for areas exposed to vandalism and wheelchair users.

Dimensions of wash basin 460 x 170 x 490 mm (W x H x D)

Dimensions of bowl 420 x 140 x 360 mm (W x H x D)

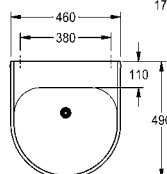
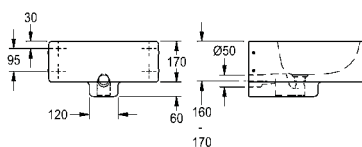
ANMX460 2000102710

With 35 mm diameter tap hole, centered

ANMX461 2000102711

Version without tap ledge, dimensions 460 x 170/230 x 410 mm

ANMX462 2000102712



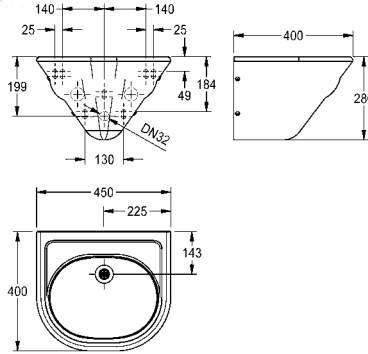
KWC ANIMA single washbasins

Type	Article Number
------	----------------



ANIMA washbasin

Wash basin for wall mounting, stainless steel, surface satin finished, material thickness 1.2 mm, seamless welded bowl with dimension 360 x 272 x 135 mm, made of one piece, for high risk vandalism areas due to seamless closed trap cover and semicircular shape, rounded edges, bowl with revolving channel, 40 mm tap ledge, without overflow, 1 1/2" flat perforated waste, drainage centric, incl. trap DN 32, with pressed soap dish, inclusive mounting plate conform to EN 31, includes stainless steel screws and dowels.



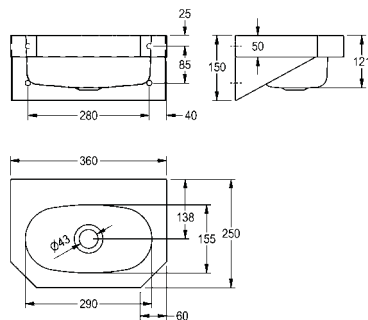
Dimensions 450 x 280 x 400 mm (W x H x D)
 Dimensions of bowl 360 x 150 x 270 mm (W x H x D)

ANMX450 2000071857



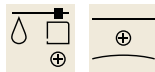
ANIMA single washbasin

Single wash basin for wall mounting, stainless steel, surface satin finished, material thickness 1 mm, seamless welded bowl with diameter 290 x 155 x 121 mm, rectangular shape, tap ledge, without overflow, 1 1/4" waste, drainage centric, front panel with 45° corner edges, prewelded mounting brackets, mounting conform EN 31, includes screws and dowels.



Dimensions 360 x 150 x 250 mm (W x H x D)
 Dimensions of bowl 290 x 121 x 155 mm (W x H x D)

WT360C 203.0500.578

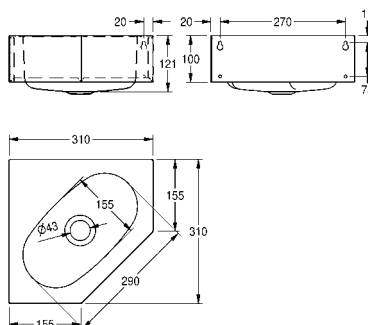


ANIMA single washbasin

Single wash basin for wall-corner mounting, stainless steel, surface satin finished, material thickness 1 mm, seamless welded bowl with diameter 290 x 155 x 100 mm, rectangular shape, with tap ledge, without overflow, 1 1/4" flat perforated waste, drainage centric, front panel with 45° corner edges, includes screws and dowels.

Dimensions 310 x 121 x 310 mm (W x H x D)
 Bowl dimensions 290 x 121 x 155 mm (W x H x D)

WT310E 203.0499.146



KWC ANIMA single washbasins

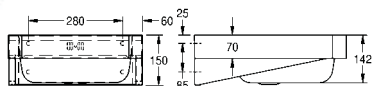
Type **Article Number**



ANIMA single washbasin

Single wash basin for wall mounting, stainless steel, surface satin finished, material thickness 1 mm, seamless welded bowl with diameter 340 x 300 x 140 mm, rectangular shape, 120 mm tap ledge, with overflow, 1 1/4" plug waste, drainage rewards centric, front panel with 45° corner edges, prewelded mounting brackets, mounting conform EN 31, includes screws and dowels.

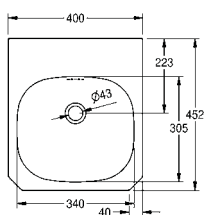
Dimensions 400 x 150 x 452 mm (W x H x D)



WT400C 203.0499.147

With 35 mm diameter tap hole, centered

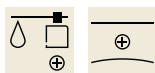
WT400C-M 2000103763



Optional accessories

Rear wall made of chromium nickel steel, dimensions 400 x 200 mm (W x H)

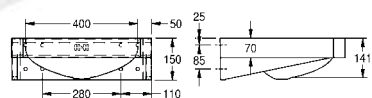
SB400 2000100065



ANIMA single washbasin

Single wash basin for wall mounting, stainless steel, surface satin finished, material thickness 1 mm, seamless welded bowl with diameter 400 x 300 x 135 mm, rectangular shape, 105 mm tap ledge, with overflow, 1 1/4" plug waste, drainage rewards centric, front panel with 45° corner edges, prewelded mounting brackets, mounting conform EN 31, includes screws and dowels.

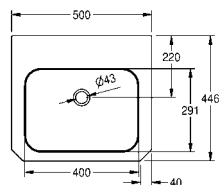
Dimensions 500 x 150 x 446 mm (W x H x D)



WT500C 203.0499.148

With 35 mm diameter tap hole, centered

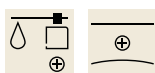
WT500C-M 2000103094



Optional accessories

Rear wall made of chromium nickel steel, suitable for WT500A and WT500C, dimensions 500 x 200 mm (W x H)

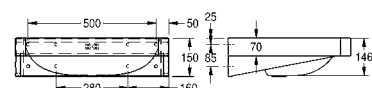
SB500 2000100066



ANIMA single washbasin

Single wash basin for wall mounting, stainless steel, surface satin finished, material thickness 1 mm, seamless welded bowl with diameter 550 x 350 x 145 mm, rectangular shape, 90 mm tap ledge, with overflow, 1 1/4" plug waste, drainage rewards centric, front panel with 45° corner edges, prewelded mounting brackets, distance between the centre lines of the fixing holes conform to EN 31, includes screws and dowels.

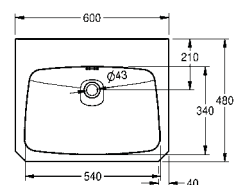
Dimensions 600 x 150 x 480 mm (W x H x D)



WT600C 203.0500.572

With 35 mm diameter tap hole, centered

WT600C-M 2000103766



Optional accessories

Cover, dimensions 160 x 401 x 322 mm (W x H x D)

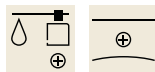
ANMX210 2000056723

Rear wall made of chromium nickel steel, suitable for WT600A and WT600C, dimensions 600 x 250 mm (W x H)

SB600 2000100067

KWC ANIMA single washbasins

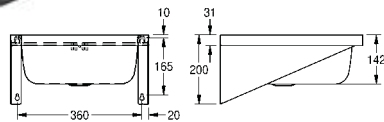
Type **Article Number**



ANIMA single washbasin

Single wash basin for wall mounting, stainless steel, surface satin finished, material thickness 1 mm, seamless welded bowl with diameter 340 x 305 x 142 mm, rectangular shape, 80 mm tap ledge, with overflow, 1 1/4" plug waste, drainage rewards centric, prewelded mounting brackets, includes screws and dowels.

Dimensions 400 x 200 x 412 mm (W x H x D)



WT400A 203.0500.577

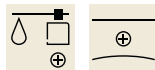
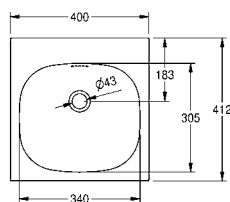
With 35 mm diameter tap hole, centered

WT400A-M 2000103762

Optional accessories

Rear wall made of chromium nickel steel, dimensions 400 x 200 mm (W x H)

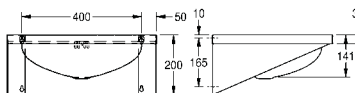
SB400 2000100065



ANIMA single washbasin

Single wash basin for wall mounting, stainless steel, surface satin finished, material thickness 1 mm, seamless welded bowl with diameter 400 x 291 x 141 mm, rectangular shape, 70 mm tap ledge, with overflow, 1 1/4" plug waste, drainage rewards centric, prewelded mounting brackets, includes screws and dowels.

Dimensions 500 x 200 x 402 mm (W x H x D)



WT500A 203.0000.154

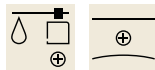
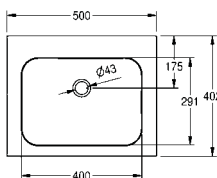
With 35 mm diameter tap hole, centered

WT500A-M 2000103764

Optional accessories

Rear wall made of chromium nickel steel, suitable for WT500A and WT500C, dimensions 500 x 200 mm (W x H)

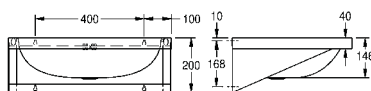
SB500 2000100066



ANIMA single washbasin

Single wash basin for wall mounting, stainless steel, surface satin finished, material thickness 1 mm, seamless welded bowl with diameter 550 x 350 x 140 mm, rectangular shape, 75 mm tap ledge, with overflow, 1 1/4" plug waste, drainage rewards centric, prewelded mounting brackets, includes screws and dowels.

Dimensions 600 x 200 x 440 mm (W x H x D)



WT600A 203.0000.155

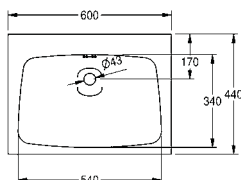
With 35 mm diameter tap hole, centered

WT600A-M 2000103765

Optional accessories

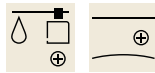
Rear wall made of chromium nickel steel, suitable for WT600A and WT600C, dimensions 600 x 250 mm (W x H)

SB600 2000100067



KWC ANIMA single washbasins

Type **Article Number**



ANIMA single washbasin

Single wash basin, stainless steel, material thickness 0.9 mm, surface satin finished, circular bowl with diameter 380 mm, rear upstand, single tap hole, 32 mm waste/overflow fitting, includes screws and dowels.

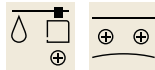
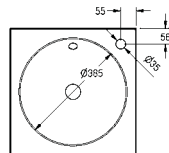
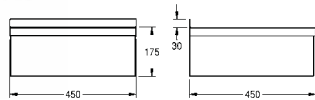
Tap hole right
Dimensions 450 x 175 x 450 mm (W x H x D)

WT450 2000100365

Optional accessories

Splash back, Suitable to WT450, LP20 and LP21, dimensions 450 x 210 mm (W x H)

SB450 2000100338

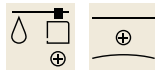
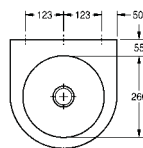
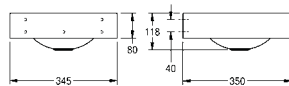


ANIMA single washbasin

ANIMA single washbasin, for wall-mounting, stainless steel, satin finished surface, material thickness 1.0 mm, semicircular washbasin shape, seamlessly welded-in round inset vanity basin, with surrounding apron, without overflow, with 55 mm tap ledge (T), G 1 1/4 B strainer waste, centre waste, including mounting material.

Dimensions 345 x 118 x 350 mm (W x H x D)
Bowl dimensions 260 x 118 mm (D x H)

WB260WM 2030072330



ANIMA single washbasin

Single wash basin for wall mounting, stainless steel, surface satin finished, material thickness 1 mm, seamless welded bowl with diameter 500 x 155 x 335 mm, oval shape, 90 mm tap ledge, prewelded mounting brackets, with soap dish, includes screws and dowels.

Without overflow, 1 1/4" flat perforated waste
Dimensions 550 x 155 x 450 mm (W x H x D)

BS204 2000090016

Without overflow, with 35 mm diameter tap hole, centered, 1 1/4 flat perforated waste

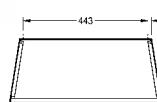
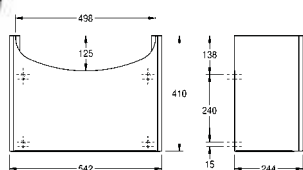
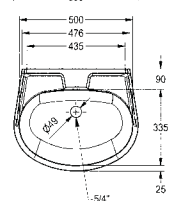
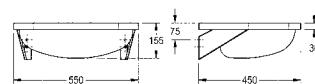
BS204-M 2000103078

With overflow, without tap hole, 1 1/4 stopper valve

BS205 2000090017

With overflow, with 35 mm diameter tap hole, centered, 1 1/4 stopper valve

BS205-M 2000103080



ANIMA trap cover

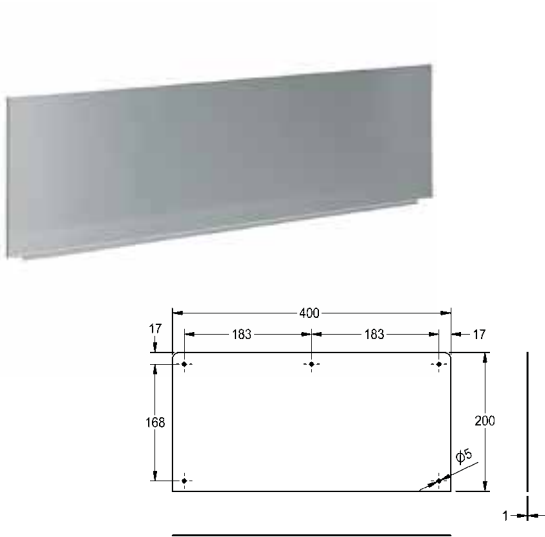
Wall mounted trap cover for wash basin BS204 and BS205, stainless steel, surface high polished, material thickness 1 mm, not closed at bottom, includes screws and dowels.

Dimensions 542 x 410 x 244 mm (W x H x D)

BS206 2000058442

KWC ANIMA accessories for single washbasins

Type	Article Number
------	----------------



ANIMA splash back

Splash back for wall mounting, stainless steel, surface satin finished, material thickness 1 mm, inclusive stainless steel screws and dowels.

Suitable for washbasins WT400A and WT400C
Dimensions 400 x 200 x 1 mm (W x H x D)

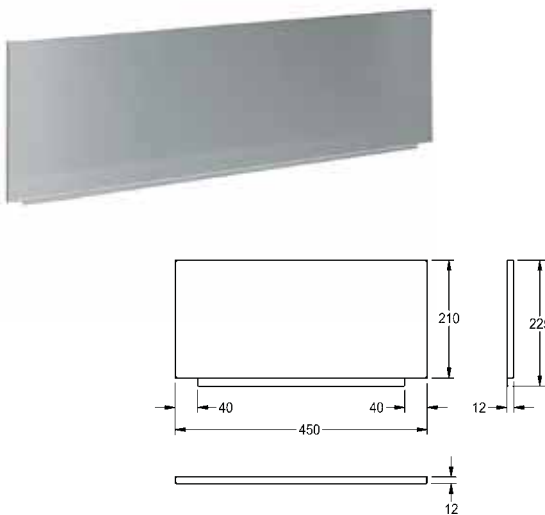
SB400	2000100065
--------------	------------

Rear wall made of chromium nickel steel, suitable for WT500A and WT500C, dimensions 500 x 200 mm (W x H)

SB500	2000100066
--------------	------------

Rear wall made of chromium nickel steel, suitable for WT600A and WT600C, dimensions 600 x 250 mm (W x H)

SB600	2000100067
--------------	------------

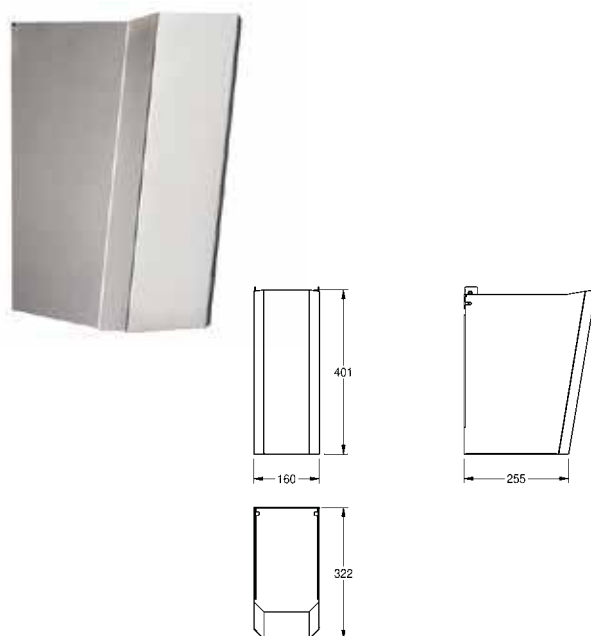


ANIMA splash back

Splash back for wall mounting, stainless steel, surface satin finished, material thickness 1 mm, includes stainless steel screws and dowels.

Suitable to WT450, LP20 and LP21
Dimensions 450 x 210 x 12 mm (W x H x D)

SB450	2000100338
--------------	------------



ANIMA trap cover

Wall mounted trap cover for wash basin WT600C, stainless steel, surface satin finished, material thickness 1 mm, not closed at bottom, includes screws, dowels and brackets.

Dimensions 160 x 401 x 322 mm (W x H x D)

ANMX210	2000056723
----------------	------------

KWC ANIMA single washbasins

Type	Article Number
------	----------------

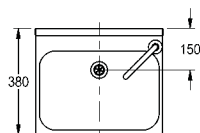
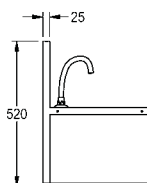
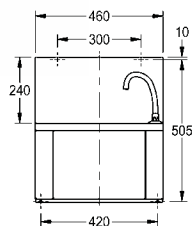


ANIMA washbasin with knee actuation

Knee operated wash hand basin is manufactured from stainless steel-satin polish finish, material thickness 0.9 mm. Supplied complete with water spout positioned in rear right hand corner and 32 mm waste outlet. Note: The pre-mixing valve and the pipework linking the water spout to the knee operated front panel is all supplied with the washbasin. Wall mounted by fitting a top joggle strip under the upstand return and by screw fixing through the integral rear brackets. Screws and plugs are not supplied.

Dimensions 420 x 520 x 380 mm (W x H x D)
Bowl dimensions 410 x 265 mm (W x D)

ANMX206	2000101025
----------------	------------

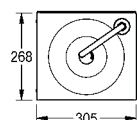
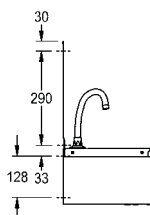
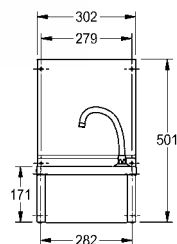


ANIMA washbasin with knee actuation

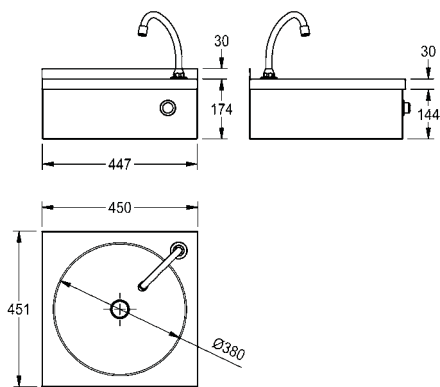
Knee operated wash hand basin is manufactured from stainless steel - satin polish finish, material thickness 0.9 mm. Supplied complete with water spout positioned in rear right hand corner and 32 mm waste outlet. Note: The pre-mixing valve and the pipework linking the water spout to the knee operated front panel is all supplied with the washbasin. Wall mounted by fitting a top joggle strip under the upstand return and by screw fixing through the integral rear brackets. Screws and plugs are not supplied.

Dimensions 305 x 501 x 268 mm (W x H x D)
Bowl Dimensions 240 x 125 mm (W x D)

ANMX216	2000101028
----------------	------------



KWC ANIMA single washbasins



Type	Article Number
------	----------------

ANIMA single washbasin with knee or hip actuation

Single wash basin for wall mounting, stainless steel, surface satin finished, material thickness 1 mm, seamless welded round sink with diameter 380 mm, 35 mm tap ledge, without overflow, 1 1/4" plug waste, waste centric, incl. preassembled water spout, 200 mm high front panel with included self-closing valve for knee- or hip operations, watertemperature adjustable, includes screws and dowels.

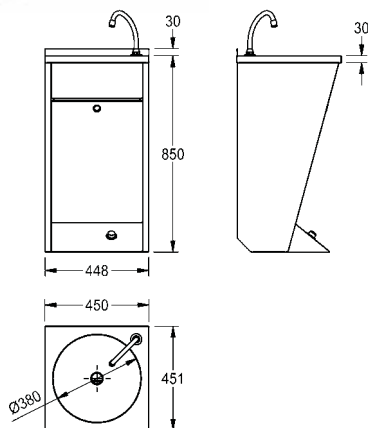
Dimensions 450 x 204 x 451 mm (W x H x D)
Bowl Dimensions 380 x 150 mm (W x H)

LP20	2000100059
-------------	------------

Optional accessories

Splash back, Suitable to WT450, LP20 and LP21, dimensions 450 x 210 mm (W x H)

SB450	2000100338
--------------	------------



ANIMA washbasin with foot operation

Single wash basin, floorstanding, wall mounting, stainless steel, surface satin finished, material thickness 1 mm, seamless welded round bowl with diameter 380 mm, rectangular shape, 35 mm tap ledge, without overflow, 1 1/4" plug waste, drainage centric, incl. premounted spout, floor standing trap cover with premounted self-closing valve for foot operation, water temperature adjustable with valve, front cover can be removed, includes screws and dowels.

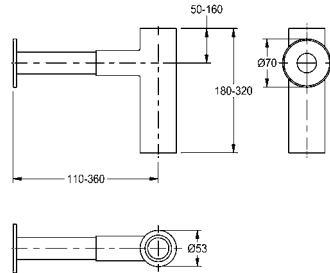
Dimensions 450 x 880 x 451 mm (W x H x D)
Bowl Dimensions 380 x 150 mm (W x H)

LP21	2000057084
-------------	------------

Optional accessories

Splash back, Suitable to WT450, LP20 and LP21, dimensions 450 x 210 mm (W x H)

SB450	2000100338
--------------	------------



Type

Article Number

Trap

Trap „Clic“, chromated brass trap, surface high polished, extendable (max. 360 mm) and height adjustable (max. 320 mm).

XINX140

2000057417



Trap

for RONDO washbasins, Siphon 5/4", chrome plated brass, diameter 32 mm.

E-RNDX-SIPHON

2000101371



Outlet valve

Waste valve DN 32

E-XINH-VALVE-SS

2000101361

Outlet valve DN 32, with round high-polished click-in cover, lockable. Can only be used for washbasins with overflow.

E-XINH VALVE

2000101365

Mandatory accessories

Waste kit for washbasin

ERNDX003

2000103551

Optional accessories

Transition piece, chrome-plated, from G 1 1/2 to G 1 1/4 B

E-REDUKTION

2000101362



Waste kit

Waste kit G 1 1/4 B for wash basins.

Plug waste, body synthetic, grey, cover stainless steel, incl. seal and synthetic black plug.

EANMX002

2000103407

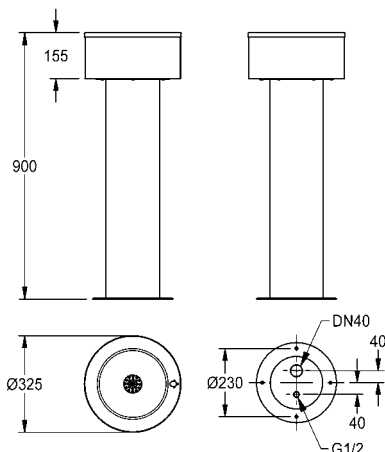
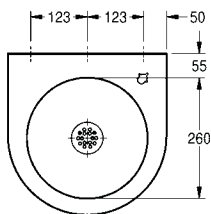
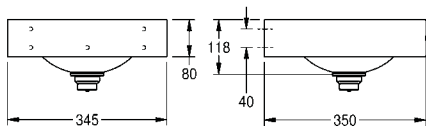
Optional accessories

Waste kit for washbasin

ERNDX003

2000103551

KWC ANIMA drinking fountain



Type	Article Number
------	----------------

ANIMA wall-mounted drinking fountain

ANIMA wall-mounted drinking fountain, stainless steel, satin finished surface, material thickness 1 mm, seamlessly integrated round bowl without overflow, with circumferential apron, 55 mm tap ledge with tap hole, strainer waste G 1 1/4 B, including mounting material. Dimensions 345 x 118 x 350 mm (W x H x D) Bowl dimensions 260 x 118 mm (D x H)

Drinking fountain tap or bottle filler tap must be ordered separately.

ANMX35L	2030072219
----------------	------------

Mandatory accessories (optionally)

Drinking fountain tap with push button

ANMX-BU	213.0654.085
----------------	--------------

Self-closing drinking bubbler

AQRM304	2000101118
----------------	------------

Bottle filler tap

ANMX-BT	213.0654.086
----------------	--------------

ANIMA drinking fountain

ANIMA drinking fountain, for free-standing installation on finished floors, stainless steel, satin finished surface, material thickness 1.2 mm, seamlessly integrated round bowl without overflow, with tap hole, circular apron, height 155 mm, with round stand column, strainer waste G 1 1/2 B with siphon DN 40, including mounting material.

Dimensions 325 x 900 mm (D x H)

Bowl dimensions 235 x 62 mm (D x H)

Floor flange 270 mm (D)

Drinking fountain tap or bottle filler tap must be ordered separately.

ANMX32L	213.0651.857
----------------	--------------

Mandatory accessories (optionally)

Drinking fountain tap with push button

ANMX-BU	213.0654.085
----------------	--------------

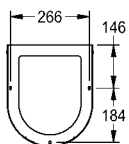
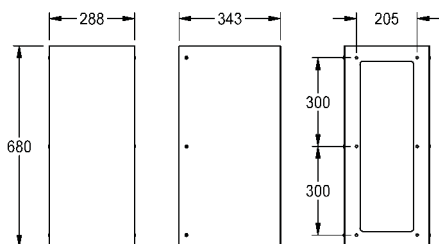
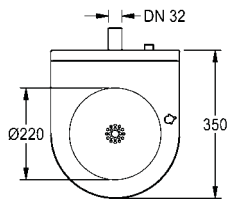
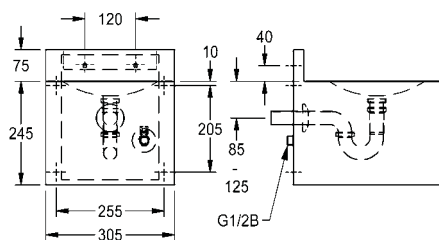
Self-closing drinking bubbler

AQRM304	2000101118
----------------	------------

Bottle filler tap

ANMX-BT	213.0654.086
----------------	--------------

KWC ANIMA drinking fountain



Type	Article Number
------	----------------

ANIMA wall-mounted drinking fountain

ANIMA wall-mounted drinking fountain, stainless steel, satin finished surface, material thickness 1.2 mm, seamlessly integrated round bowl without overflow, with tap hole, enclosed design with screwed-on inspection cover and circumferential apron, strainer waste G 1 1/4 B with siphon DN 32, including mounting material.

Dimensions 305 x 320 x 350 mm (W x H x D)
Bowl dimensions 220 x 33 mm (D x H)

Drinking fountain tap or bottle filler tap must be ordered separately.

ANMX33L	213.0649.011
----------------	--------------

Mandatory accessories (optionally)

Drinking fountain tap with push button

ANMX-BU	213.0654.085
----------------	--------------

Self-closing drinking bubbler

AQRM304	2000101118
----------------	------------

Bottle filler tap

ANMX-BT	213.0654.086
----------------	--------------

Optional accessories

Apron for ANMX33L wall-mounted drinking fountain

ANMX-S2	213.0651.922
----------------	--------------

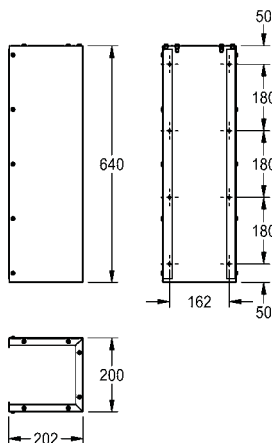
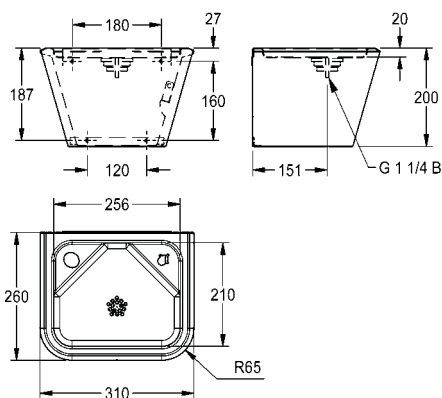
ANIMA apron

ANIMA apron for ANMX33L wall-mounted drinking fountain, for wall mounting, stainless steel, satin finished surface, material thickness 1.2 mm, floor-length.

Dimensions 288 x 680 x 343 mm (W x H x D)

ANMX-S2	213.0651.922
----------------	--------------

KWC ANIMA drinking fountain



Type	Article Number
------	----------------

ANIMA wall-mounted drinking fountain

ANIMA wall-mounted drinking fountain, stainless steel, satin finished surface, material thickness 1.2 mm, seamlessly integrated flat bowl without overflow, rectangular drinking fountain shape with rounded edges, two tap holes including cover, strainer waste G 1 1/4 B, including mounting material.

Dimensions 310 x 200 x 260 mm (W x H x D)
Bowl dimensions 256 x 20 x 210 mm (W x H x D)

Drinking fountain tap and/or bottle filler tap must be ordered separately.

ANMX30U	213.0648.990
----------------	--------------

Mandatory accessories (optionally)

Drinking fountain tap with push button

ANMX-BU	213.0654.085
----------------	--------------

Self-closing drinking bubbler

AQRM304	2000101118
----------------	------------

Bottle filler tap

ANMX-BT	213.0654.086
----------------	--------------

Optional accessories

Apron for ANMX30U wall-mounted drinking fountain

ANMX-S1	213.0651.921
----------------	--------------

ANIMA apron

ANIMA apron for ANMX30U wall-mounted drinking fountain, for wall mounting, stainless steel, satin finished surface, material thickness 1.2 mm, floor-length.

Dimensions 200 x 640 x 202 mm (W x H x D)

ANMX-S1	213.0651.921
----------------	--------------

KWC ANIMA drinking fountain taps

Type	Article Number
------	----------------

Self-closing drinking bubbler

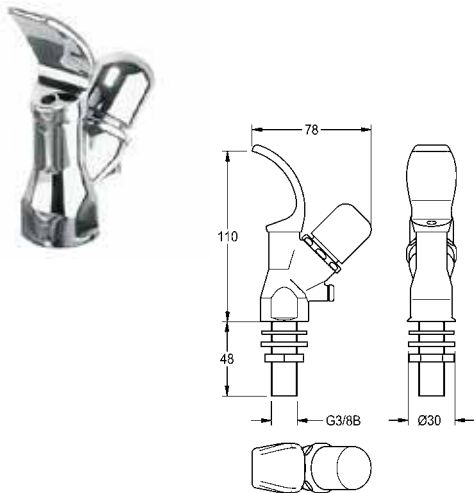
Drinking bubbler DN 15, with push cap and anti-twist protection, polished chromium-plated brass. Connection G 3/8 B.

AQRM304	2000101118
----------------	------------

Optional accessories

Chrome-plated rosette for drinking fountain tap

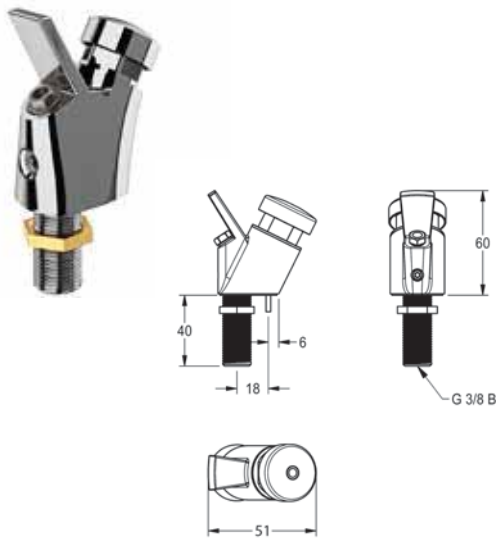
AQRM940	2000101429
----------------	------------



ANIMA drinking fountain tap

ANIMA drinking fountain tap for drinking fountains made of stainless steel or resin-bonded mineral MIRANIT, with push button, adjustable water jet, chrome-plated brass housing with anti-twist protection, G 3/8 B connection.

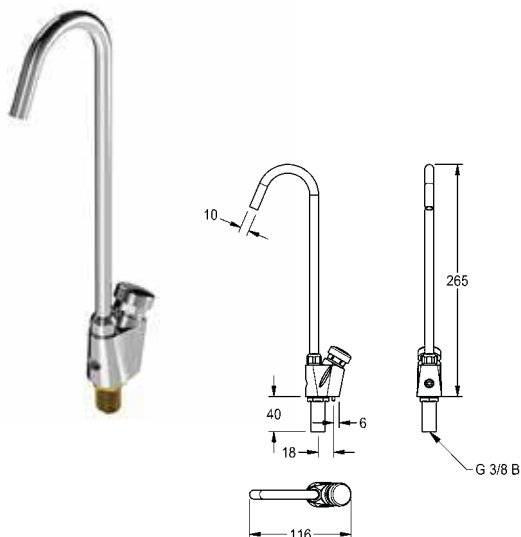
ANMX-BU	213.0654.085
----------------	--------------



ANIMA bottle filler tap

ANIMA bottle filler tap for drinking fountains made of stainless steel or resin-bonded mineral MIRANIT, with push button, chrome-plated brass housing with anti-twist protection, G 3/8 B connection.

ANMX-BT	213.0654.086
----------------	--------------



KWC PLANOX washbasin units

Type	Article Number
------	----------------

NEW

PLANOX washbasin unit with self-closing bib taps

PLANOX washbasin unit with seamless welded trough, with two wash places, suitable for wall mounting, for connection to premixed hot water or cold water from the rear right or left. Stainless steel housing, satin finish, material thickness 1.5 mm. Centre waste, G 1 1/2 B flat perforated waste, including mounting material. Ready for connection, with mounted F3S self-closing bib taps, hydraulically controlled, piston-free design, self-closing, fully adjustable flow time, polished chromium-plated brass housing. Aerator with integrated flow rate controller 3.0 l/min.

Dimensions 1200 x 530 x 440 mm (W x H x D)
Wash place width 600 mm

PL12USV 3600004024

with one wash place
Dimensions 600 x 530 x 440 mm (W x H x D)

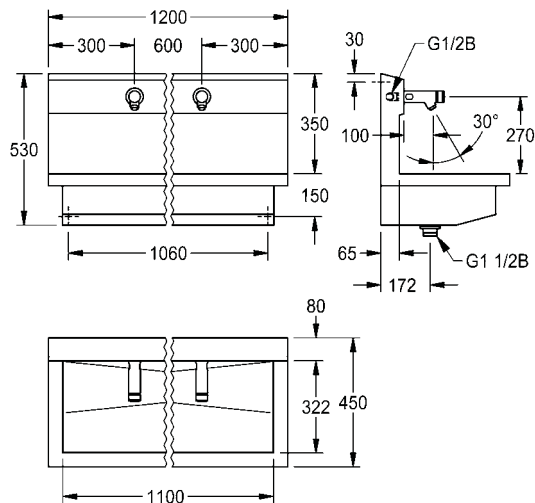
PL6USV 3600004023

with three wash places
Dimensions 1800 x 530 x 440 mm (W x H x D)

PL18USV 3600004025

with four wash places
Dimensions 2400 x 530 x 440 mm (W x H x D)

PL24USV 3600004026

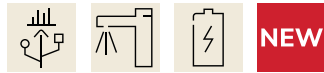


Stainless steel washbasins



KWC PLANOX washbasin units

Type Article Number

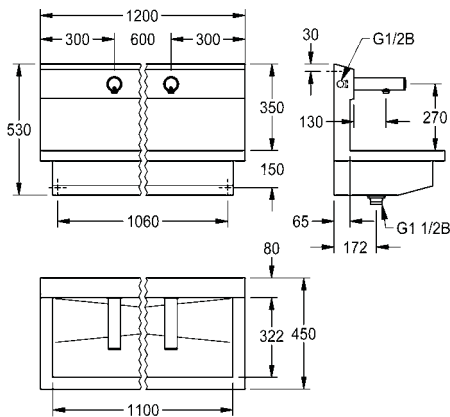


PLANOX washbasin unit with electronic bib taps

PLANOX washbasin unit with seamless welded trough, with two wash places, suitable for wall mounting, for connection to premixed hot water or cold water from the rear right or left. Stainless steel housing, satin finish, material thickness 1.5 mm. Centre waste, G 1 1/2 B flat perforated waste, including mounting material. Ready for connection, with mounted F3E bib taps, opto-electronically controlled, control electronics, solenoid valve cartridge, 6 V lithium battery (CR-P2) and sensor in all-metal housing, polished chromium-plated brass. Aerator with integrated flow rate controller 6.0 l/min. Activated hygiene flushing 24 hours after last activation, safety switch-off for continuous reflection and saving of statistical data. Parameterisation and communication possible via optional bidirectional remote control.

Dimensions 1200 x 530 x 440 mm (W x H x D)

Wash place width 600 mm



PL12UEV 3600004028

with one wash place

Dimensions 600 x 530 x 440 mm (W x H x D)

PL6UEV 3600004027

with three wash places

Dimensions 1800 x 530 x 440 mm (W x H x D)

PL18UEV 3600004029

with four wash places

Dimensions 2400 x 530 x 440 mm (W x H x D)

PL24UEV 3600004040

Optional accessories

Bidirectional remote control

ACEX9005 2030036654

2-button remote control

ACEX9004 2030036849

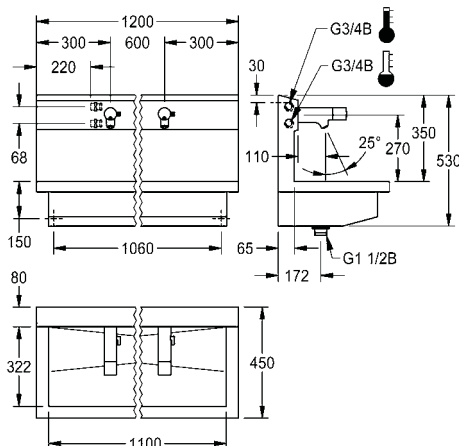


PLANOX washbasin unit with electronic washbasin mixers

PLANOX washbasin unit with seamless welded trough, with two wash places, suitable for wall mounting, for connection to hot or cold water from the rear right or left. Stainless steel housing, satin finish, material thickness 1.5 mm. Centre waste, G 1 1/2 B flat perforated waste, including mounting material. Ready for connection, with fitted F5E-Mix electronic washbasin mixers, opto-electronically controlled, activated by hand movement. Control electronics, solenoid valve cartridge, 6 V lithium battery (CR-P2) and sensor in all-metal housing, polished chromium-plated brass. Temperature lever with adjustable, turn-proof temperature stop. Anti-theft aerator, SLIM design, with integrated flow rate controller 5.0 l/min. Activated hygiene flushing 24 hours after last activation, safety switch-off for continuous reflection and saving of statistical data. Parameterisation and communication possible via optional bidirectional remote control.

Dimensions 1200 x 530 x 440 mm (W x H x D)

Wash place width 600 mm



PL12UEM 3600004043

with one wash place

Dimensions 600 x 530 x 440 mm (W x H x D)

PL6UEM 3600004041

with three wash places

Dimensions 1800 x 530 x 440 mm (W x H x D)

PL18UEM 3600004044

with four wash places

Dimensions 2400 x 530 x 440 mm (W x H x D)

PL24UEM 3600004045

Optional accessories

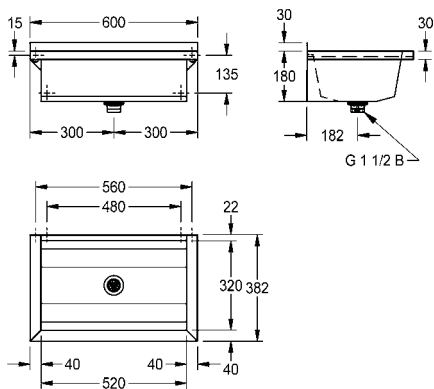
Bidirectional remote control

ACEX9005 2030036654

2-button remote control

ACEX9004 2030036849

KWC PLANOX washtroughs



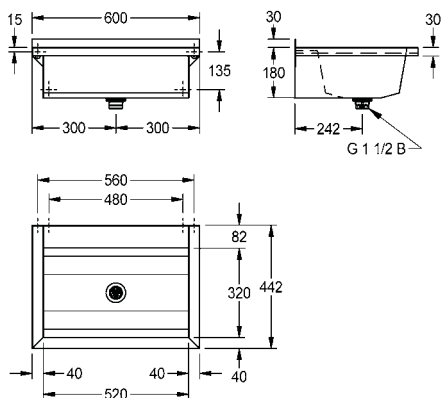
Type	Article Number
------	----------------

PLANOX washtrough

PLANOX seamless welded washtrough for wall mounting, chromium nickel steel, satin finished surface, material thickness of washtrough 0.8 mm / side panels 1.2 mm, side panels with integrated wall brackets, without tap ledge or overflow, 40 mm rear upstand, central waste, G 1 1/2 B strainer waste, includes mounting materials. For a length of 1800 mm or more, an additional bracket is supplied. Special lengths are available on request.

Dimensions 600 x 210 x 382 mm (W x H x D)

PL6	2030043777
Length 800 mm	
PL8	2030043778
Length 1000 mm	
PL10	2030046721
Length 1200 mm	
PL12	2030043779
Length 1400 mm	
PL14	2030046728
Length 1600 mm	
PL16	2030043780
Length 1800 mm	
PL18	2030043781
Length 2100 mm	
PL21	2030046734
Length 2400 mm	
PL24	2030043782
Length 2800 mm	
PL28	2030046736
Length 3000 mm	
PL30	2030043783



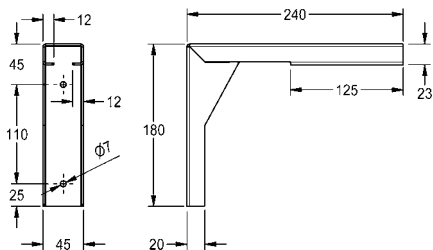
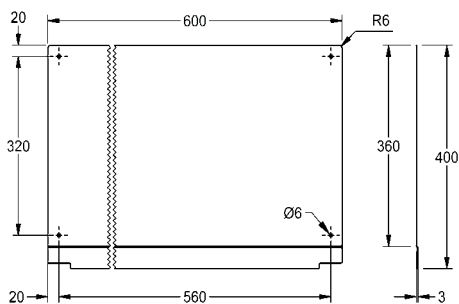
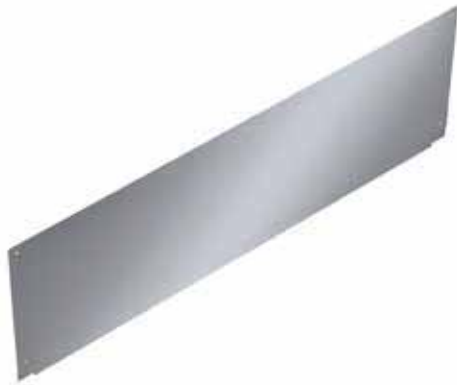
PLANOX washtrough with tap ledge

PLANOX seamless welded washtrough for wall mounting, chromium nickel steel, satin finished surface, material thickness of washtrough 0.8 mm / side panels 1.2 mm, side panels with integrated wall brackets, lowered tap ledge 80 mm, without tap holes or overflow, 40 mm rear upstand, central waste, G 1 1/2 B strainer waste, includes mounting materials. For a length of 1800 mm or more, an additional bracket is supplied. Special lengths are available on request.

Dimensions 600 x 210 x 442 mm (W x H x D)

PL6T	2030043784
Length 800 mm	
PL8T	2030043785
Length 1000 mm	
PL10T	2030052439
Length 1200 mm	
PL12T	2030043786
Length 1400 mm	
PL14T	2030046737
Length 1600 mm	
PL16T	2030043787
Length 1800 mm	
PL18T	2030043788
Length 2100 mm	
PL21T	2030046739
Length 2400 mm	
PL24T	2030043789
Length 2800 mm	
PL28T	2030054627
Length 3000 mm	
PL30T	2030043790

KWC PLANOX accessories



Type

Article Number

PLANOX splash back

Splashback for PLANOX washtroughs, chromium nickel steel, satin finish, material thickness 0.8 mm, includes mounting material.

Dimensions 600 x 400 x 3 mm (W x H x D)

PL6SB 2030043805

Length 800 mm

PL8SB 2030043806

Length 1000 mm

PL10SB 2030053706

Length 1200 mm

PL12SB 2030043807

Length 1400 mm

PL14SB 2030049941

Length 1600 mm

PL16SB 2030043808

Length 1800 mm

PL18SB 2030043809

Length 2100 mm

PL21SB 2030054630

Length 2400 mm

PL24SB 2030043810

Length 2800 mm

PL28SB 2030053391

Length 3000 mm

PL30SB 2030043811

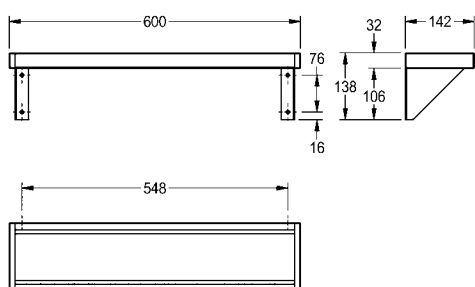
Bracket for PLANOX washtroughs

Bracket for PLANOX washtroughs, wall-mounted, chromium nickel steel, material thickness 2 mm, includes mounting material.

Dimensions 45 x 180 x 240 mm (W x H x D)

PL18SU 2030043812

KWC PLANOX accessories



Type	Article Number
------	----------------

SATURN shelf

Shelf for wall mounting, stainless steel, surface satin finished, material thickness 1 mm, brackets welded into shelf, side ends with grey plastic cover, for lengths over 1800 mm an additional bracket is scope of delivery.

Dimensions 600 x 138 x 142 mm (W x H x D)

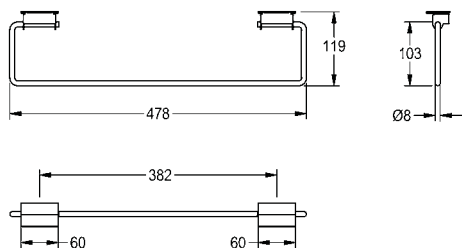
BXSV6	2000056952
Length 1000 mm	
BXSV10	2000056944
Width 1200 mm	
BXSV12	2000056946
Width 1600 mm	
BXSV16	2030046197
Width 1800 mm	
BXSV18	2000056950
Length 2100 mm	
BXSV21	2000056951
Width 2400 mm	
BXSV24	2000100088
Width 3000 mm	
BXSV30	2030046195

SATURN set of towel rails

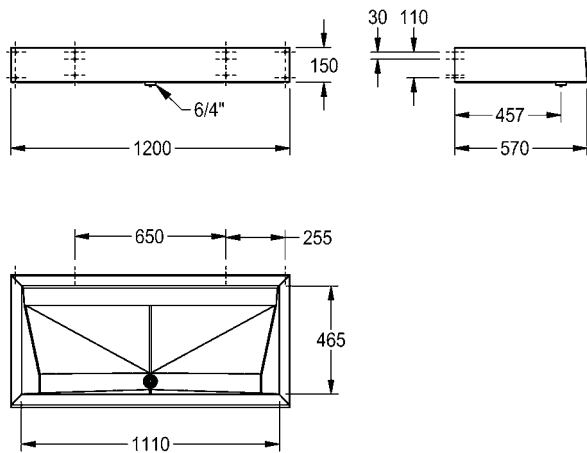
Towel rail for KWC washtroughs, stainless steel, surface satin finished, material thickness 8 mm (d), for mounting underneath front edge, rail is flexible and retrofittable, one set per wash place necessary, including mounting material.

Dimensions 478 x 119 mm (W x H)

TB60	2000101452
Width 728 mm	
TB80	2030046200



KWC PRESTIGE washtrough



Type	Article Number
------	----------------

PRESTIGE washtrough

Wash trough PRESTIGE, for wall mounting in single-row, stainless steel, surface satin finished, material thickness 1.2 mm, with 1 1/2" flat perforated waste, with bracket, includes stainless steel screws and dowels.

Dimensions 1200 x 150 x 570 mm (W x H x D), with 2 wash places **with width 600 mm**

PRES212	2000100790
----------------	------------

Width 1800 mm

PRES318	2000100791
----------------	------------

wash places **with width 700 mm**

Width 1400 mm

PREL214	2000100787
----------------	------------

Width 2100 mm

PREL321	2000100789
----------------	------------

wash places **with width 800 mm**

Width 1600 mm

PRES216	2030017823
----------------	------------

Width 2400 mm

PRES324	2030022472
----------------	------------

Note:
Fitting units for wall mounting for water supply, see "Washbasin taps" section.



Stainless steel
washbasins



Single, multiple and children's washbasins

Elegant single and row washbasins (including custom-made or barrier-free versions), countertop washbasins, multiple washbasin systems, children's washbasins, and drinking fountains made of MIRANIT bring flexibility and versatility to modern sanitary facilities.

MIRANIT is a stable and breakproof, synthetic resin bonded mineral granite material which has a smooth, pore-free, high-polished and easy-to-clean gel coat layer. Hand washbasins made of MIRANIT help maintain a clean washroom environment that is ideal in heavily used sanitary facilities.

Mineral granite washbasins

QUADROtop and RONDAtop countertop washbasins	88
EXOS. single and multiple washbasins, also barrier-free	90
QUADRO, RONDA single and multiple washbasins	92
VARIUS washbasin range/bowl overview and washbasins variants	96
VARIUScare washbasins, wheelchair accessible	102
Drinking fountain	103
WASHINO children's wash-and-play troughs	104
FUTURA exklusiv multiple washbasins	106

KWC QUADROtop and RONDAtop countertop washbasins

Type Article Number



QUADROtop countertop washbasin

QUADROtop countertop basin, made of MIRANIT resin-bonded mineral material with pore-free, alpine white smooth surface (temperature-resistant up to 80 °C). Rectangular shape with rounded edges and seamless bowl, without overflow. No silicone sealant is required due to the invisible seal which is integrated in to the mounting edge. Drilling templates and mounting materials included.

Dimensions 550 x 140 x 370 mm (W x H x D)
Bowl dimensions 535 x 100 x 355 mm (W x H x D)

ANMT4001 2030054382

Optional accessories

Dome waste valve, chrome-plated

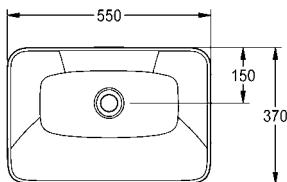
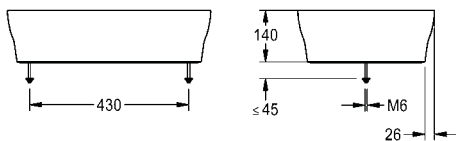
ZANMW0030 2030057337

Dome waste valve, white powder-coated

ZANMW0031 2030057339

Trap „Clic“

XINX140 2000057417



QUADROtop countertop washbasin

QUADROtop countertop basin, made of MIRANIT resin-bonded mineral material with pore-free, alpine white smooth surface (temperature-resistant up to 80 °C). Rectangular shape with rounded edges and seamless bowl, with overflow. No silicone sealant is required due to the invisible seal which is integrated in to the mounting edge. Drilling templates and mounting materials included.

Dimensions 550 x 140 x 380 mm (W x H x D)
Bowl dimensions 535 x 100 x 355 mm (W x H x D)

ANMT4002 2030054383

Optional accessories

Dome waste valve, chrome-plated

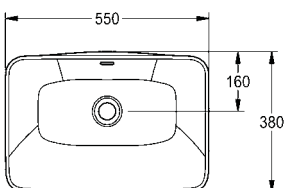
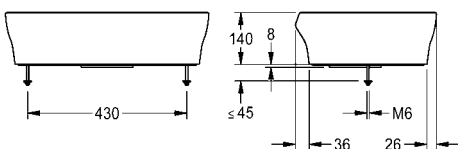
ZANMW0030 2030057337

Dome waste valve, white powder-coated

ZANMW0031 2030057339

Trap „Clic“

XINX140 2000057417



KWC QUADROtop and RONDAtop countertop washbasins

Type Article Number



RONDAtop countertop washbasin

RONDAtop countertop basin, made of MIRANIT resin-bonded mineral material with pore-free, alpine white smooth surface (temperature-resistant up to 80 °C). Round shape with seamless bowl, without overflow. No silicone sealant is required due to the invisible seal which is integrated in to the mounting edge. Drilling templates and mounting materials included.

Dimensions 370 x 140 mm (W x H)
Bowl dimensions 355 x 100 mm (W x H)

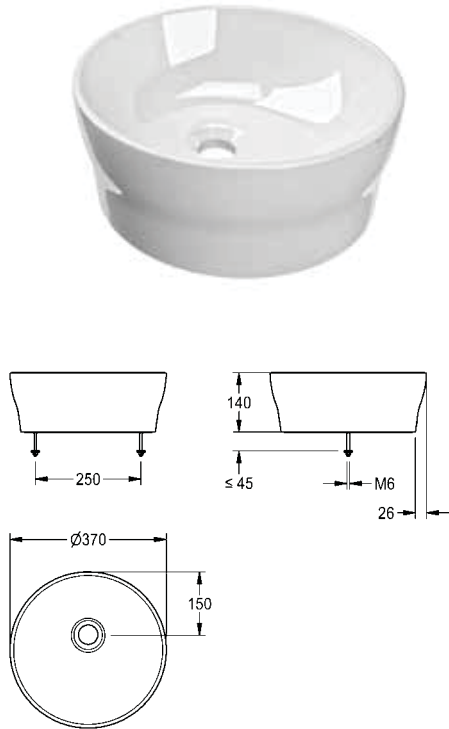
ANMT2001 2030054380

Optional accessories

Dome waste valve, chrome-plated
ZANMW0030 2030057337

Dome waste valve, white powder-coated
ZANMW0031 2030057339

Trap „Clic“
XINX140 2000057417



RONDAtop countertop washbasin

RONDAtop countertop basin, made of MIRANIT resin-bonded mineral material with pore-free, alpine white smooth surface (temperature-resistant up to 80°C). Round shape with seamless bowl, without overflow, with shaped, lowered tap ledge and 35 mm tap hole (D). No silicone sealant is required due to the invisible seal which is integrated in to the mounting edge. Drilling templates and mounting materials included.

Dimensions 370 x 140 x 460 mm (W x H x D)
Bowl dimensions 355 x 100 mm (W x H)

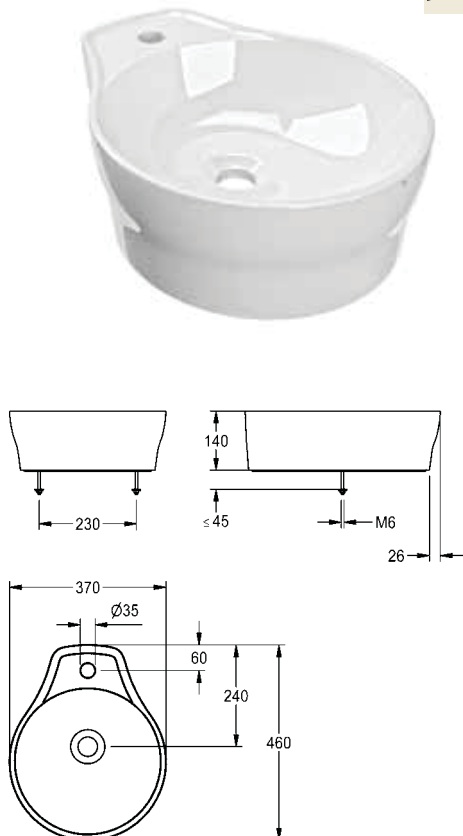
ANMT2002 2030054381

Optional accessories

Dome waste valve, chrome-plated
ZANMW0030 2030057337

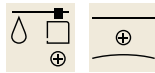
Dome waste valve, white powder-coated
ZANMW0031 2030057339

Trap „Clic“
XINX140 2000057417



KWC EXOS. single washbasin

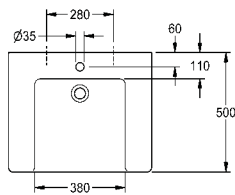
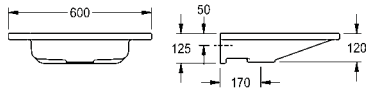
Type **Article Number**



EXOS. single washbasin

EXOS. single washbasin made of MIRANIT resin-bonded mineral material with pore-free, smooth surface (temperature-resistant up to 80 °C), Alpine white colour. Roll-under, with storage areas, seamless moulded bowl, without overflow, with tap hole 35 mm (D). Mounting on washbasin back panel, including mounting material.

Dimensions 600 x 125 x 500 mm (W x H x D)
Bowl dimensions 380 x 98 x 390 mm (W x H x D)



ANMW0010N 2030073251

Optional accessories

Dome waste valve, chrome-plated

ZANMW0030 2030057337

Dome waste valve, white powder-coated

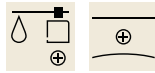
ZANMW0031 2030057339

Trap „Clic“

XINX140 2000057417

Dome waste valve, stainless steel

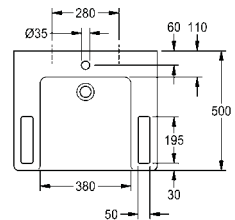
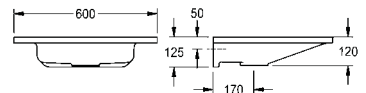
ZANMW0050 3600001266



EXOS. single washbasin, barrier-free

EXOS. single washbasin made of MIRANIT resin-bonded mineral material with pore-free, smooth surface (temperature-resistant up to 80 °C), Alpine white colour. Roll-under, with integrated grab rails, storage areas, seamless moulded bowl, without overflow, with tap hole 35 mm (D). Mounting on washbasin back panel, including mounting material.

Dimensions 600 x 125 x 500 mm (W x H x D)
Bowl dimensions 380 x 98 x 390 mm (W x H x D)



ANMW0001N 2030073252

Optional accessories

Dome waste valve, chrome-plated

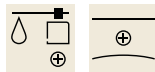
ZANMW0030 2030057337

Dome waste valve, white powder-coated

ZANMW0031 2030057339

Dome waste valve, stainless steel

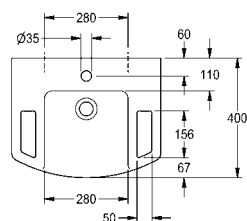
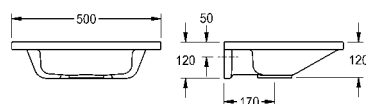
ZANMW0050 3600001266



EXOS. hand washbasin, barrier-free

EXOS. hand washbasin made of MIRANIT resin-bonded mineral material with pore-free smooth surface (temperature-resistant up to 80 °C), Alpine white colour. Roll-under, with integrated grab rails, storage areas, seamless moulded bowl, without overflow, with tap hole 35 mm (D). Mounting on washbasin back panel, including mounting material.

Dimensions 500 x 125 x 400 mm (W x H x D)
Bowl dimensions 280 x 98 x 290 mm (W x H x D)



ANMW0003N 2030073250

Optional accessories

Dome waste valve, chrome-plated

ZANMW0030 2030057337

Dome waste valve, white powder-coated

ZANMW0031 2030057339

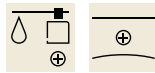
Dome waste valve, stainless steel

ZANMW0050 3600001266

KWC EXOS. multiple washbasins

Type

Article Number



EXOS. multiple washbasin

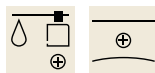
EXOS. multiple washbasin made of MIRANIT resin-bonded mineral material, with pore-free, smooth surface (temperature-resistant up to 80 °C), Alpine white colour. Roll-under, with storage areas, up to six seamlessly moulded bowls, without overflow, with 35 mm tap hole (D). Variable bowl spacing, mounting on washbasin back panel, optionally available with apron and/or upstand or surge edge, including mounting material.

Dimensions 600–3600 x 125 x 500 mm (W x H x D)
Bowl dimensions 380 x 98 x 390 mm (W x H x D)

Detailed specifications, such as the type of installation and bowl spacing, etc., shall be provided via production sheets based on the individual order (to be requested from KWC Professional).



Mineral granite
washbasins



EXOS. multiple washbasin

EXOS. multiple washbasin made of MIRANIT resin-bonded mineral material, with pore-free, smooth surface (temperature-resistant up to 80 °C), Alpine white colour. Roll-under, with integrated grab rails, storage areas, up to four seamlessly moulded bowls, without overflow, with 35 mm tap hole (D). Variable bowl spacing, mounting on washbasin back panel, optionally available with apron and/or upstand or surge edge, including mounting material.

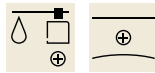
Dimensions 780–3600 x 125 x 500 mm (W x H x D)
Bowl dimensions 380 x 98 x 390 mm (W x H x D)

Detailed specifications, such as the type of installation and bowl spacing, etc., shall be provided via production sheets based on the individual order (to be requested from KWC Professional).



KWC QUADRO washbasins

Type **Article Number**



QUADRO single washbasin

QUADRO single washbasin made of MIRANIT resin-bonded mineral material, with smooth, pore-free surface (temperature-resistant up to 80 °C). Colour Alpine white. With seamless, rectangular bowl without overflow. Mounting on washbasin back panel. Rear contoured edge. Three-sided apron 60 mm (H). With tap hole 35 mm (D). Mounting material included.

Dimensions 600 x 125 x 530 mm (W x H x D)
Bowl dimensions 520 x 40/90 x 375 mm (W x H x D)

ANMW411 2000090011

Without tap hole

ANMW410 2000090010

Optional accessories

Strainer waste G 1 1/4 B

ZANMW901 2000100854

Dome waste valve G 1 1/4 B

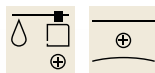
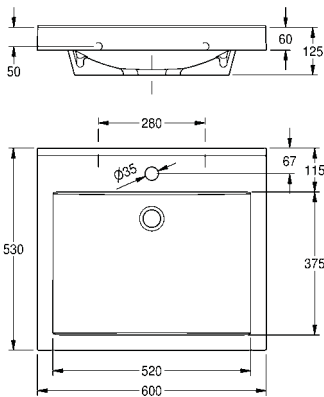
ZANMW900 2000100861

Eccentric drain and overflow G 1 1/4 B

ZANMW902 2000100932

Trap „Clic“

XINX140 2000057417



QUADRO single washbasin

QUADRO single washbasin made of MIRANIT resin-bonded mineral material, with smooth, pore-free surface (temperature-resistant up to 80 °C). Alpine white colour. With seamless, rectangular bowl without overflow, with taphole. Mounting on washbasin back panel. Rear contoured edge. Three-sided apron 60 mm (H). Mounting material included.

Dimensions 1000 x 125 x 530 (W x H x D)
Bowl dimensions 580 x 40/90 x 360 (W x H x D)

ANMW416 2000101159

Without tap hole

ANMW417 2030036243

Optional accessories

Strainer waste G 1 1/4 B

ZANMW901 2000100854

Dome waste valve G 1 1/4 B

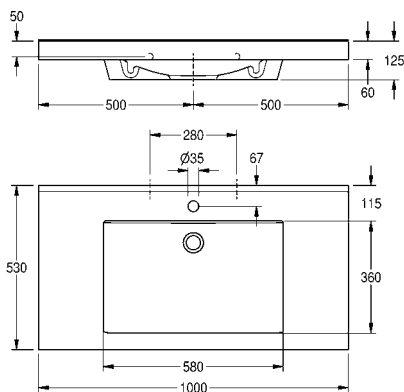
ZANMW900 2000100861

Eccentric drain and overflow G 1 1/4 B

ZANMW902 2000100932

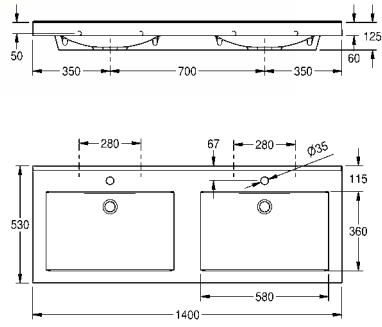
Trap „Clic“

XINX140 2000057417



KWC QUADRO washbasins

Type **Article Number**



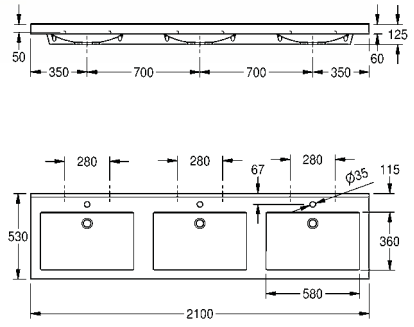
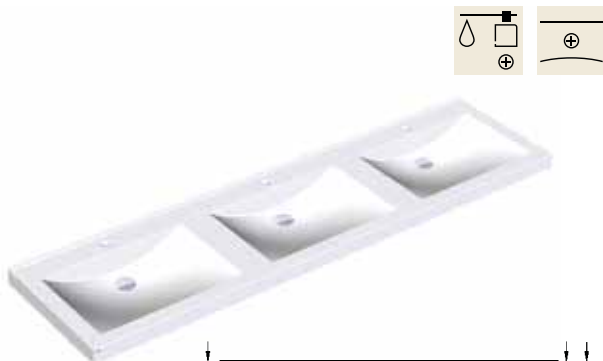
QUADRO double washbasin
 QUADRO double washbasin made of MIRANIT resin-bonded mineral material with smooth, pore-free surface (temperature resistant up to 80°C). Colour Alpine white. With two seamless, rectangular bowls, without overflow. Mounting on washbasin back panel. Rear contoured edge. Three-sided apron 60 mm (H). With tap holes 35 mm (D). Mounting material included.

Dimensions 1400 x 125 x 530 mm (W x H x D)
 Bowl dimensions 580 x 90 x 360 mm (W x H x D)

ANMW421	2000090013
Without tap holes	
ANMW420	2000090012

Optional accessories

Strainer waste G 1 1/4 B	
ZANMW901	2000100854
Dome waste valve G 1 1/4 B	
ZANMW900	2000100861
Eccentric drain and overflow G 1 1/4 B	
ZANMW902	2000100932
Trap „Clic“	
XINX140	2000057417



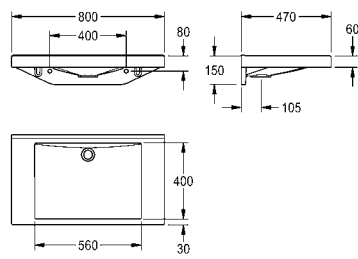
QUADRO triple washbasin
 QUADRO triple washbasin made of MIRANIT resin-bonded mineral material with smooth, pore-free surface (temperature resistant up to 80 °C). Colour Alpine white. With three seamless, rectangular bowls, without overflow. Mounting on washbasin back panel. Rear contoured edge. Three-sided apron 60 mm (H). With tap holes. Mounting material included.

Dimensions 2100 x 125 x 530 mm (W x H x D)
 Bowl dimensions 580 x 90 x 360 mm (W x H x D)

ANMW431	2000090015
Without tap holes	
ANMW430	2000090014

Optional accessories

Strainer waste G 1 1/4 B	
ZANMW901	2000100854
Dome waste valve G 1 1/4 B	
ZANMW900	2000100861
Eccentric drain and overflow G 1 1/4 B	
ZANMW902	2000100932
Trap „Clic“	
XINX140	2000057417



QUADRO-FX single washbasin
 QUADRO-FX single washbasin, made of MIRANIT resin-bonded mineral material, with pore-free, smooth surface (temperature-resistant up to 80 °C), Colour Alpine white. With seamless, rectangular bowl, without overflow and without tap ledge. Mounted on washbasin back panel. Three-sided apron 60 mm (H). Rear surge edge, including mounting material.

Dimensions 800 x 150 x 470 mm (W x H x D)
 Bowl dimensions 560 x 90 x 400 mm (W x H x D)

ANMW0036	2030058091
-----------------	------------

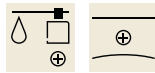
Optional accessories

Dome waste valve, chrome-plated	
ZANMW0030	2030057337
Dome waste valve, white powder-coated	
ZANMW0031	2030057339
Trap „Clic“	
XINX140	2000057417

Mineral granite washbasins

KWC RONDA washbasins

Type **Article Number**



RONDA single washbasin

RONDA single washbasin made of MIRANIT resin-bonded mineral material with smooth and pore-free surface (temperature-resistant up to 80 °C). Colour Alpine white. With seamless round bowl, flattened out at the rear, without overflow. Mounting on washbasin back panel. Rear contoured edge. Three-sided apron 60 mm (H). With tap hole 35 mm (D). Mounting material included.

Dimensions 600 x 125 x 530 mm (W x H x D)
Bowl dimensions 520 x 90 x 380 mm (W x H x D)

ANMW211 2000090005

Without tap holes

ANMW210 2000090004

Optional accessories

Strainer waste G 1 1/4 B

ZANMW901 2000100854

Dome waste valve G 1 1/4 B

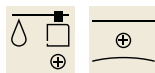
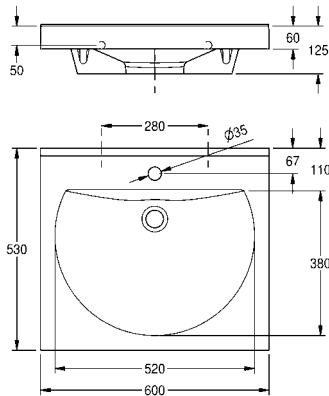
ZANMW900 2000100861

Eccentric drain and overflow G 1 1/4 B

ZANMW902 2000100932

Trap „Clic“

XINX140 2000057417



RONDA double washbasin

RONDA double washbasin made of MIRANIT resin-bonded mineral material with smooth, pore-free surface (temperature-resistant up to 80 °C). Colour Alpine white. With two seamless round bowls, flattened out at the rear, without overflow. Mounting on washbasin back panel. Rear contoured edge. Three-sided apron 60 mm (H). With tap holes 35 mm (D). Mounting material included.

Dimensions 1400 x 125 x 530 mm (W x H x D)
Bowl dimensions 540 x 90 x 380 mm (W x H x D)

ANMW221 2000090007

Without tap holes

ANMW220 2000090006

Optional accessories

Strainer waste G 1 1/4 B

ZANMW901 2000100854

Dome waste valve G 1 1/4 B

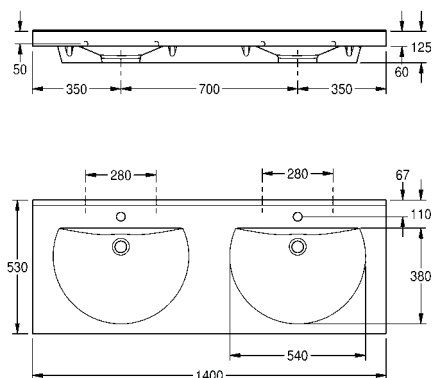
ZANMW900 2000100861

Eccentric drain and overflow G 1 1/4 B

ZANMW902 2000100932

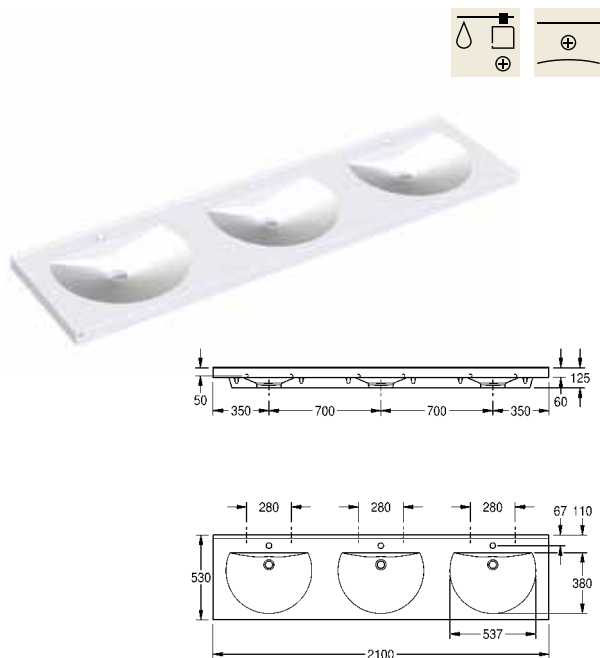
Trap „Clic“

XINX140 2000057417



KWC RONDA washbasins

Type Article Number



RONDA triple washbasin

RONDA triple washbasin made of MIRANIT resin-bonded mineral material with smooth, pore-free surface (temperature-resistant up to 80 °C). Colour Alpine white. With three seamless round bowls, flattened out at the rear, without overflow. Mounting on washbasin back panel. Rear contoured edge. Three-sided apron 60 mm (H). With tap holes 35 mm (D). Mounting material included.

Dimensions 2100 x 125 x 530 mm (W x H x D)
Bowl dimensions 540 x 90 x 380 mm (W x H x D)

ANMW231 2000090009

Without tap holes

ANMW230 2000090008

Optional accessories

Strainer waste G 1 1/4 B

ZANMW901 2000100854

Dome waste valve G 1 1/4 B

ZANMW900 2000100861

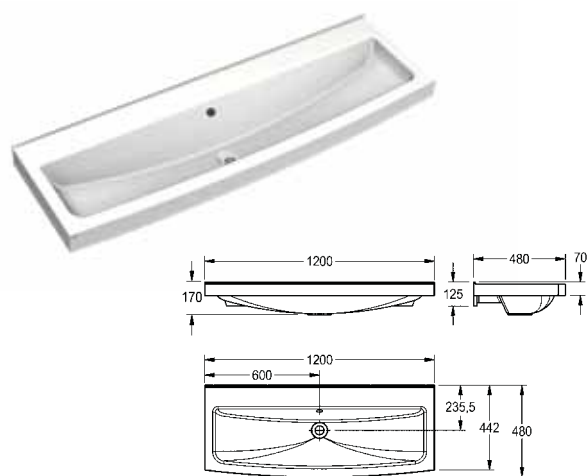
Eccentric drain and overflow G 1 1/4 B

ZANMW902 2000100932

Trap „Clic“

XINX140 2000057417

Mineral granite washbasins



Washtrogh

Washtrogh made of MIRANIT resin-bonded mineral material with smooth, pore-free surface (temperature resistant up to 80 °C). Colour Alpine white. Mounting on washbasin back panel. With tap ledge, without tap holes (tap drill points marked underneath) with overflow. Mounting material, waste kit and mounting template included.

2 wash places

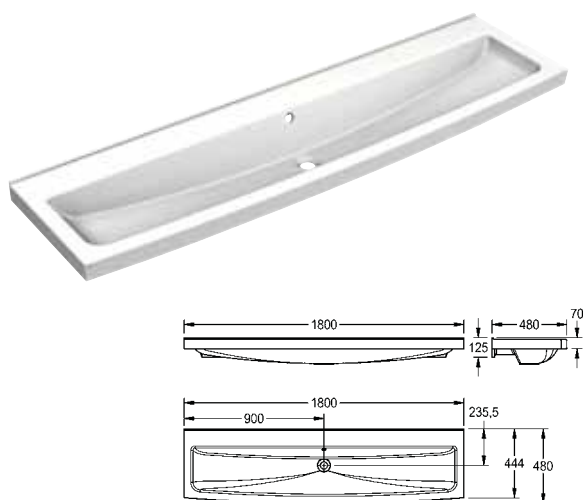
Width of wash place 600 mm

Dimensions 1200 x 480 x 170 mm (W x H x D)

SOLX1200 203.0000.217

With tap holes

SOLX1200T 203.0000.226



Washtrough with 3 wash places

Washtrough made of MIRANIT resin-bonded mineral material with smooth, pore-free surface (temperature resistant up to 80 °C). Colour Alpine white. Mounting on washbasin back panel. With tap ledge, without tap holes (tap drill points marked underneath) with overflow. Mounting material, waste kit and mounting template included.

3 wash places

Width of wash place 600 mm

Dimensions 1800 x 480 x 170 mm (W x H x D)

SOLX1800 2030005465

With Tap holes

SOLX1800T 203.0000.238

KWC VARIUS washbasin range/bowl overview

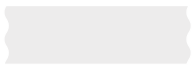
The VARIUS washbasin range represents custom-made sanitary solutions in property construction. A variety of bowl shapes (VARIUSsign) can be seamlessly fitted into the delicate washbasin countertop. Furthermore, a wide range of options offers almost unlimited freedom when it comes to the design:

- Number of bowls and distance between them
- Holes/cut-outs for accessories
- Seamlessly designed apron/upstand
- For a variety of installation methods, e.g. recess installation
- Range of washbasin counter dimensions and corner designs
- With or without tap ledge
- VARIUSsign ETON ROME, OSLO are available with washbasin back panel for mounting

As well as their versatility, VARIUS washbasins offer all the benefits of the MIRANIT resin-bonded mineral material.

Washbasin shapes

straight



D-shaped



L-shaped



Konvex-shaped



Bowls – basic shapes

round



rectangular







oval



VARIUSsign: Selection of bowl shapes - **ROUND**

without overflow

			
① ROME ② 410 x 90 x 410 mm	① COMO ② 540 x 100 x 380 mm	① MUNICH ② 400 x 150 x 400 mm	① LINZ ② 340 x 150 x 340 mm

without overflow

with overflow (OF)

			
① ZURICH ② 585 x 160 x 365 mm	① MUNICH OF ② 400 x 150 x 400 mm	① LINZ OF ② 340 x 150 x 340 mm	① ZURICH OF ② 585 x 160 x 365 mm

① Bowl designation | ② Bowl dimensions B x H x T | * available with back panel for mounting

VARIUSsign: Selection of bowl shapes - **RECTANGULAR**

without overflow





				
①	ETON	MILAN	PISA	BERLIN
②	560 x 90 x 400 mm	500 x 130 x 350 mm	550 x 127 x 380 mm	400 x 80 x 320 mm
				
①	PARIS	LILLE	NICE	BERN
②	530 x 85 x 315 mm	600 x 120 x 300 mm	495 x 120 x 320 mm	540 x 140 x 310 mm
				
①	GRAZ	PALMA		
②	405 x 200 x 355 mm	450 x 140 x 280 mm		

with overflow (OF)

			
①	BERN OF	GRAZ OF	PALMA OF
②	540 x 140 x 310 mm	405 x 200 x 355 mm	450 x 140 x 280 mm

VARIUSsign: Selection of bowl shapes - **OVAL**

without overflow

				
①	OSLO	BILBAO	LONDON	LONDON OF
②	555 x 90 x 395 mm	425 x 120 x 290 mm	520 x 145 x 360 mm	520 x 145 x 360 mm

with overflow (OF)

① Bowl designation | ② Bowl dimensions B x H x T | * available with back panel for mounting

Examples VARIUSsign



VARIUS multiple washbasin – straight design

Washbasin – straight design, made of MIRANIT resin-bonded mineral material, colour Alpine white. Individually designable washbasin with seamlessly moulded bowls..

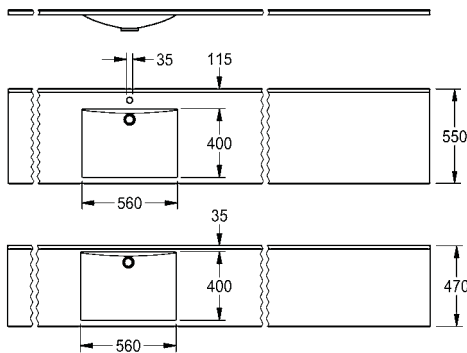
Design options:

- width of washbasin up to max. 3,600 mm
- different bowl shapes from the VARIUSsign range
- number of bowls depends on bowl dimension
- versions with tap hole for pillar taps
- versions without tap hole for wall-mounted taps
- with or without overflow
- with or without rear contoured edge 3 mm
- with apron, height up to 150 mm
- with rear splash back 10 to 100 mm
- mounting options

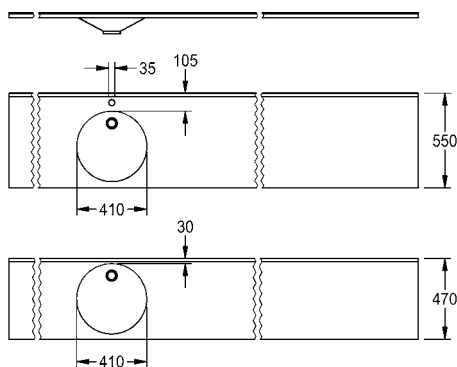
Customized fit to building specifications

Detailed specifications are given on an order basis by means of production sheets (available on request).

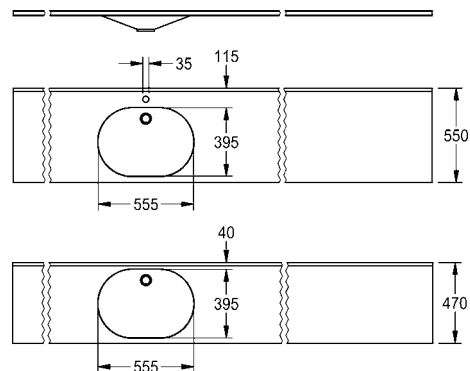
with bowl ETON



with bowl ROME



with bowl OSLO



KWC VARIUS washbasins variants

Type _____ Article Number _____



VARIUS D-shape washbasin

Washbasin VARIUS D-shape with protruding bowl made of MIRANIT resin-bonded mineral material, colour Alpine White. With up to 3 seamlessly integrated, projecting bowls, without overflow. Variable bowl spacing. Individual Washbasin length. With rear contoured edge. Washbasin thickness 25 mm. Mounting material included.

Design options:

- width of washbasin up to max. 3,600 mm
- 2 different bowl shapes (O, R)
- up to 3 bowls per niche washbasin
- depth of washbasin 640 mm, with tap hole for pillar taps
- depth of washbasin 470 mm, for wall-mounted taps
- with apron, height 60 mm
- with rear splash back
- coated on all sides
- mounting with stainless steel brackets

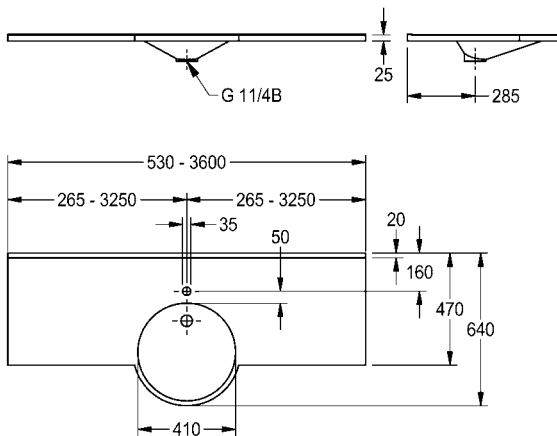
Customized fit to building specifications

Detailed specifications are given on an order basis by means of production sheets (available on request).

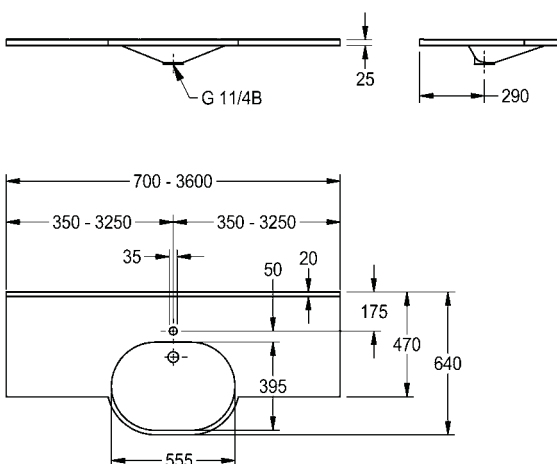


Mineral granite washbasins

VARIUS D-shape with bowl R



VARIUS D-shape with bowl O



KWC VARIUS washbasins variants

Type _____ Article Number _____



VARIUS L-shape corner washbasin

Washbasin VARIUS L-shape made of MIRANIT resin-bonded mineral material, colour Alpine White. With a seamless incorporated bowl, without overflow. With rear contoured edge. Washbasin thickness 25 mm. Mounting material included.

Design options:

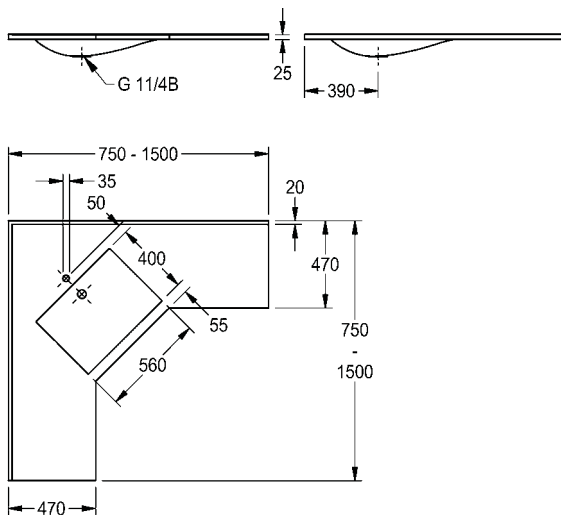
- length of shank of the washbasin left/right side up to max. 1.500 mm
- 3 different bowl shapes (E, O, R)
- depth of washbasin 400 mm with bowl R and O
- depth of washbasin 470 mm with bowl E
- with or without tap hole
- with apron, height 60 mm
- with rear splash back
- coated on all sides
- mounting with stainless steel brackets

Customized fit to building specifications

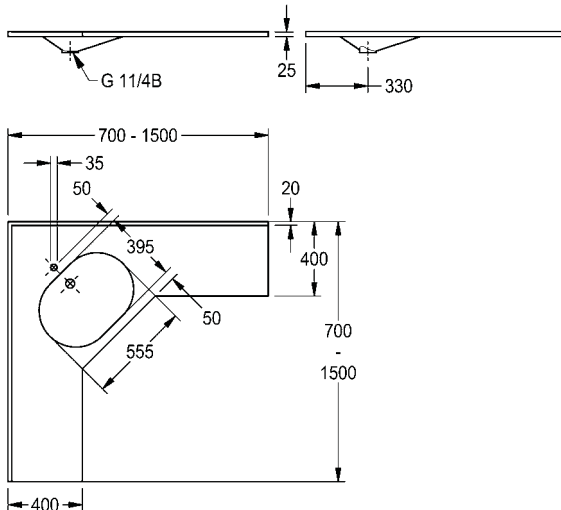
Detailed specifications are given on an order basis by means of production sheets (available on request).



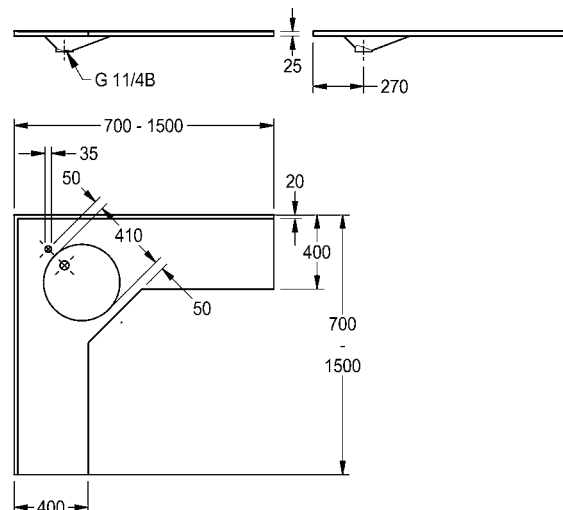
VARIUS L-shape with bowl E



VARIUS L-shape with bowl O



VARIUS L-shape with bowl R



KWC VARIUS washbasins variants

Type Article Number



VARIUS Konvex corner washbasin

VARIUS Convex corner washbasin made of MIRANIT resin-bonded mineral material, colour Alpine White. With a seamless incorporated bowl, without overflow. With rear contoured edge, Washbasin thickness 25 mm. Mounting material included.

Design options:

- depth of washbasin max. 1.000 mm
- 2 different bowl shapes (O, R)
- with or without tap hole
- with apron, height 60 mm
- with rear splash back
- coated on all sides

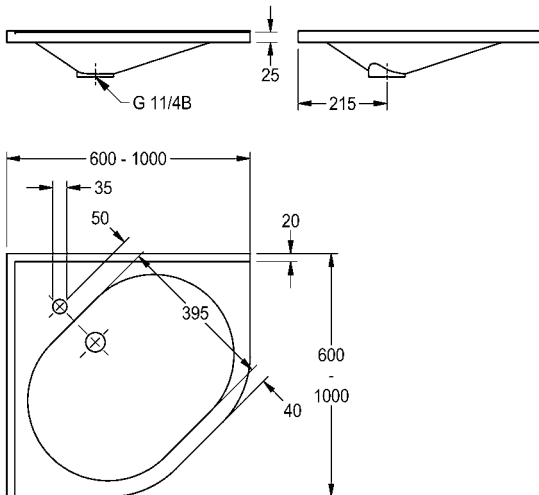
Customized fit to building specifications

Detailed specifications are given on an order basis by means of production sheets (available on request).

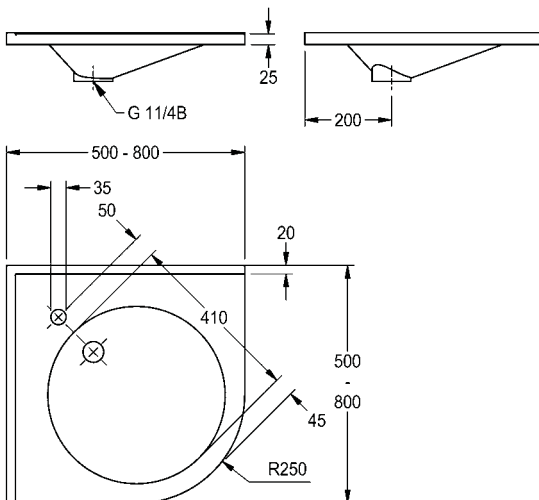
Mineral granite washbasins



VARIUS Konvex with bowl O

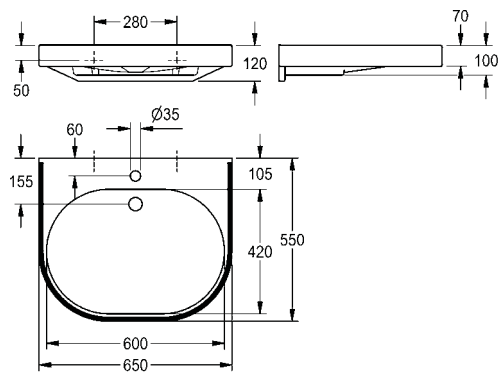


VARIUS Konvex with bowl R



KWC VARIUScare washbasins, wheelchair accessible

Type	Article Number
------	----------------



VARIUScare single washbasin barrier-free

VARIUScare single wash basin made of MIRANIT resin-bonded mineral material. Colour Alpine white with colour strip (RAL 7022). Wheelchair accessible, with integrated gripping edge. Seamless moulded bowl, without overflow. With tap hole. Mounting on washbasin back panel. Rear contoured edge. Mounting material included.

Dimensions 650 x 120 x 550 mm (W x H x D)
Bowl dimensions 600 x 80 x 420 mm (W x H x D)

ANMW500 2030020956

Dimensions 550 x 120 x 450 mm (W x H x D)
Recess dimensions 500 x 80 x 325 mm (W x H x D)

ANMW502 2030020959

Dimensions 450 x 100 x 350 mm (W x H x D)
Recess dimensions 400 x 60 x 230 mm (W x H x D)

ANMW504 2030020962

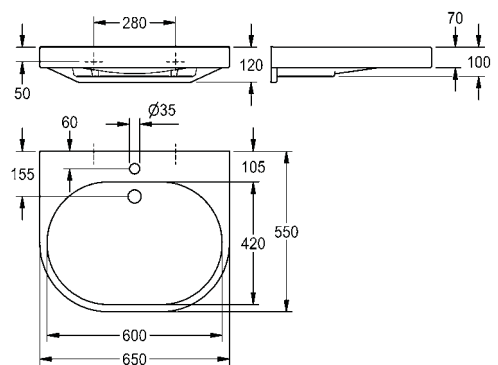
Optional accessories

Strainer waste G 1 1/4 B

ZANMW901 2000100854

Dome waste valve G 1 1/4 B

ZANMW900 2000100861



VARIUScare single washbasin barrier-free

VARIUScare single washbasin made of MIRANIT resin-bonded mineral material. Colour Alpine white. Wheelchair accessible, with integrated gripping edge. Seamless moulded bowl, without overflow. With tap hole. Mounting on washbasin back panel. Rear contoured edge. Mounting material included.

Dimensions 650 x 120 x 550 mm (W x H x D)
Bowl dimensions 600 x 80 x 420 mm (W x H x D)

ANMW501 2030020958

Dimensions 550 x 120 x 450 mm (W x H x D)
Recess dimensions 500 x 80 x 325 mm (W x H x D)

ANMW503 2030020961

Dimensions 450 x 100 x 350 mm (W x H x D)
Recess dimensions 400 x 60 x 230 mm (W x H x D)

ANMW505 2030020963

Optional accessories

Strainer waste G 1 1/4 B

ZANMW901 2000100854

Dome waste valve G 1 1/4 B

ZANMW900 2000100861

KWC Drinking fountain, WASHINO wash-and-play troughs

Type	Article Number
------	----------------



ANIMA wall-mounted drinking fountain

Wall-mounted drinking fountain made of MIRANIT resin-bonded mineral material with pore-free smooth surface (temperature-resistant up to 80 °C), Alpine white colour. With seamlessly moulded round bowl, without overflow, with tap hole 18 mm (D) on the right. Mounted via back panel. Circumference of apron 110 mm (H). With strainer waste G 1 1/4 B, siphon G 1 1/4 B, including mounting materials.

Dimensions 400 x 110 x 400 mm (W x H x D)
Bowl dimensions 290 x 75 mm (D x H)

SIRW24D	2000105177
----------------	------------

Mandatory accessories (optionally)

Self-closing drinking bubbler

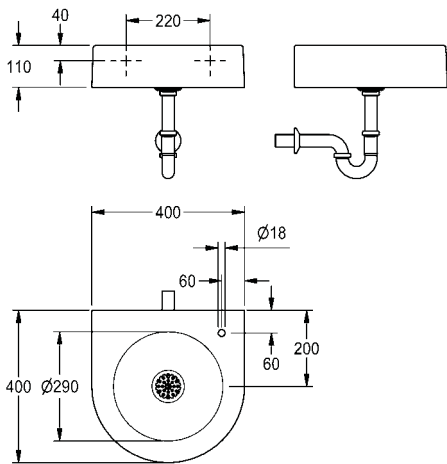
AQRM304	2000101118
----------------	------------

Drinking fountain tap with push button

ANMX-BU	213.0654.085
----------------	--------------

Bottle filler tap

ANMX-BT	213.0654.086
----------------	--------------



Mineral granite washbasins



Perfectly designed to meet children's needs and adapted to their height are the **WASHINO wash-and-play troughs** (see next pages). The range combines ergonomic design, robustness, easy maintenance, excellent hygiene, happiness and fun with water.

KWC WASHINO children's wash-and-play troughs

Type	Article Number
------	----------------

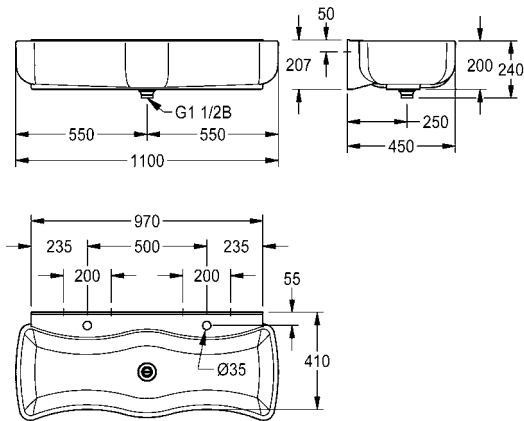


WASHINO-2 children's wash-and-play trough

WASHINO-2 children's wash-and-play trough made of MIRANIT resin-bonded mineral material, Alpine white colour. With 2 wash places. Wave-shaped basin, large inner and outer radii of basins, with integrated surge edge, tap landing with a tap hole for each wash place. Waste and overflow valve as a standpipe. Mounting on washbasin back panel. Mounting material included.

Dimensions 1100 x 240 x 450 mm (W x H x D)

SANW200 2000103056

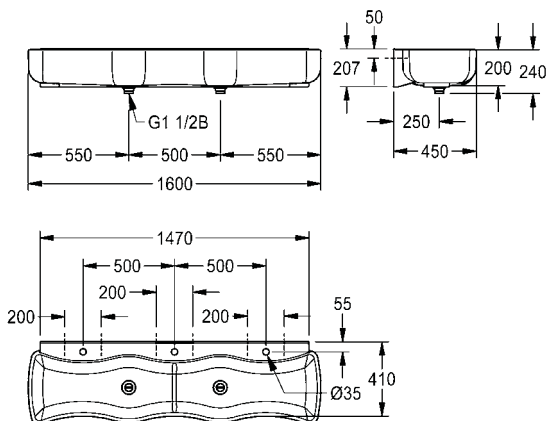


WASHINO-3 children's wash-and-play trough

WASHINO-3 children's wash-and-play trough made of MIRANIT resin-bonded mineral material, Alpine white colour. With 3 wash places. Wave-shaped basin, large inner and outer radii of basins, with integrated surge edge, tap landing with a tap hole for each wash place. Waste and overflow valve as a standpipe. Mounting on washbasin back panel. Mounting material included.

Dimensions 1600 x 240 x 450 mm (W x H x D)

SANW215 2000106654



KWC WASHINO children's wash-and-play troughs

Type	Article Number
------	----------------



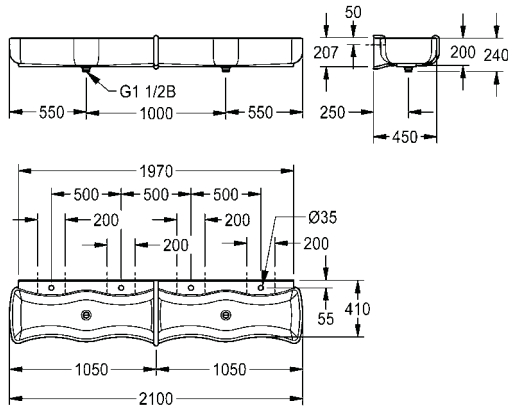
WASHINO-4 children's wash-and-play trough

WASHINO-4 children's wash-and-play trough made of MIRANIT resin-bonded mineral material, Alpine white colour. With 4 wash places. Wave-shaped basins, large inner and outer radii of basins, with integrated surge edge, tap landing with a tap hole for each wash place. Integrated divider with overflow function made of MIRANIT, blue colour (RAL 5002). Waste and overflow valve as a standpipe for 2 wash places each. Each basin with one waste outlet (distance between the outlets 1000 mm). Mounting on washbasin back panel. Mounting material included.

Dimensions 2100 x 240 x 470 mm (W x H x D)

SANW205

2000103057



WASHINO-Step children's wash-and-play trough

WASHINO-Step children's wash-and-play trough made of MIRANIT resin-bonded mineral material, Alpine white colour. Model with basin left top/right bottom. With 4 wash places (2 wash places with a height difference of 100 mm). Wave-shaped basins, large inner and outer radii of basins, with integrated surge edge, tap landing with a tap hole for each wash place. Integrated divider with overflow function made of MIRANIT, blue colour (RAL 5002). Waste and overflow valve as a standpipe for 2 wash places each. Each basin with one waste outlet (distance between the outlets 1000 mm). Mounting on washbasin back panel. Mounting material included.

Dimensions 2100 x 340 x 470 mm (W x H x D)

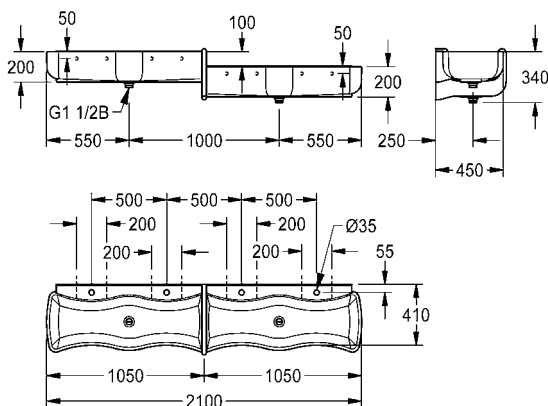
SANW211

2000103058

Version with basin on the top right, bottom left

SANW212

2000103059



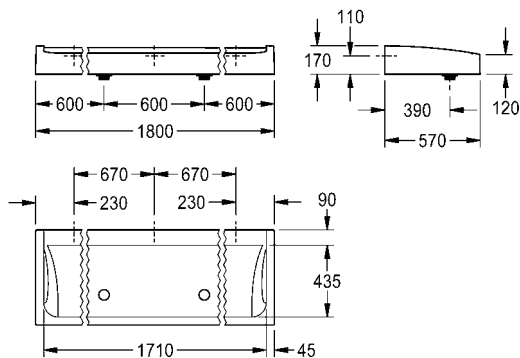
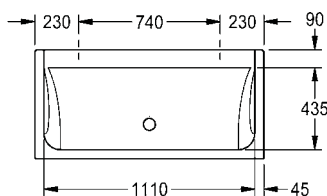
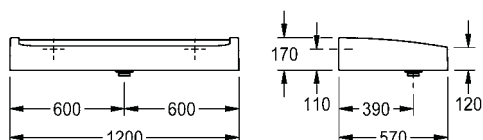
KWC FUTURA exklusiv multiple washbasins



Convenient cleaning of the hands and body is the first objective for employees at an industrial or commercial establishment after performing hard physical labour.

Single-row and double-row sanitary facilities, as well as suitable fitting units for supplying water at every washbasin in the system, give a flexible, safe and friendly sanitary solution.

KWC FUTURA exklusiv multiple washbasins



Type	Article Number
------	----------------

FUTURA exklusiv multiple washbasin

FUTURA exklusiv multiple washbasin for wall mounting or free-standing double-row installation, made of MIRANIT resin-bonded mineral material with a smooth pore-free surface (temperature-resistant up to 80 °C), Alpine white colour. 90 mm tap ledge without tap holes, mounting on back panel, all-round apron. Includes G 2 B dome waste valve and mounting material.

Dimensions 1200 x 170 x 570 mm (W x H x D)

For free-standing double-row installation, the bridge feet must be ordered separately.

SANW1200	2030057405
Width 1400 mm	
SANW1400	2030057406
Width 1600 mm	
SANW1600	2030057407

Optional accessories

Angled leg for multiple washbasin with 700 mm mounting height to the top front edge

SANW0117	2000105049
-----------------	------------

Angled leg for multiple washbasin with 800 mm mounting height to the top front edge

SANW0118	2000104999
-----------------	------------

Bridge leg for multiple washbasin with 700 mm mounting height to the top front edge

SANW0119	2030063270
-----------------	------------

Bridge leg for multiple washbasin with 800 mm mounting height to the top front edge

SANW0120	2030063271
-----------------	------------

FUTURA exklusiv multiple washbasin

FUTURA exklusiv multiple washbasin for wall mounting or free-standing double-row installation, made of MIRANIT resin-bonded mineral material with a smooth pore-free surface (temperature-resistant up to 80 °C), Alpine white colour. 90 mm tap ledge without tap holes, mounting on back panel, all-round apron. Includes G 2 B dome waste valve and mounting material.

Dimensions 1800 x 170 x 570 mm (W x H x D)

For free-standing double-row installation, the bridge feet must be ordered separately.

SANW1800	2030057408
Width 2100 mm	
SANW2100	2030057409
Width 2400 mm	
SANW2400	2030057410

Optional accessories

Angled leg for multiple washbasin with 700 mm mounting height to the top front edge

SANW0117	2000105049
-----------------	------------

Angled leg for multiple washbasin with 800 mm mounting height to the top front edge

SANW0118	2000104999
-----------------	------------

Bridge leg for multiple washbasin with 700 mm mounting height to the top front edge

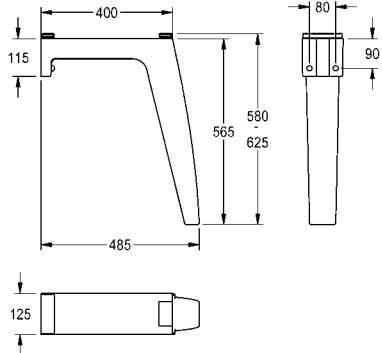
SANW0119	2030063270
-----------------	------------

Bridge leg for multiple washbasin with 800 mm mounting height to the top front edge

SANW0120	2030063271
-----------------	------------

KWC FUTURA exklusiv multiple washbasins

Type	Article Number
------	----------------

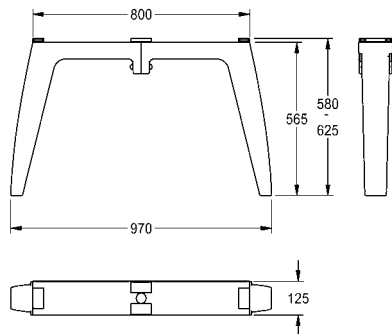


Angled leg

Angled leg for wall mounting, made of resin-bonded mineral material, anthracite colour, for FUTURA exklusiv multiple washbasin with 700 mm mounting height to the top front edge.

Dimensions 125 x 565 x 485 mm (W x H x D)

SANW0117	2000105049
for multiple washbasin with 800 mm mounting height to the top front edge	
SANW0118	2000104999



Bridge leg

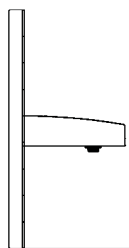
Bridge leg for free-standing double-row installation, made of resin-bonded mineral material, anthracite colour, for FUTURA exklusiv multiple washbasin with 700 mm mounting height to the top front edge.

Dimensions 125 x 565 x 970 mm (W x H x D)

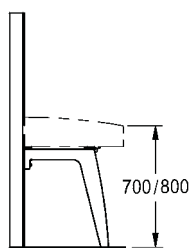
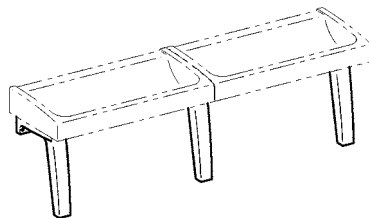
SANW0119	2030063270
for multiple washbasin with 800 mm mounting height to the top front edge	
SANW0120	2030063271

Mounting variants FUTURA exklusiv

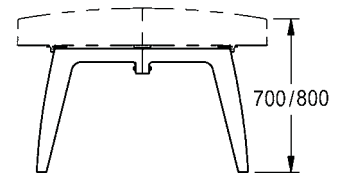
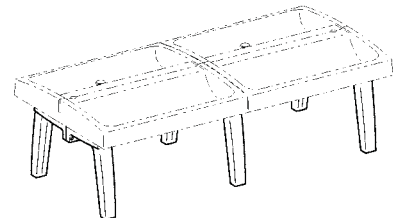
wall mounting



wall mounting with angled legs

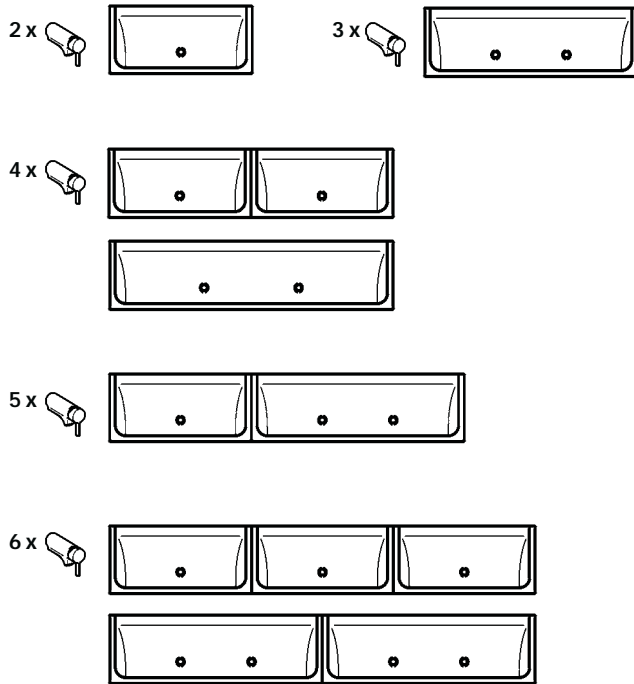


free-standing mounting with bridge legs

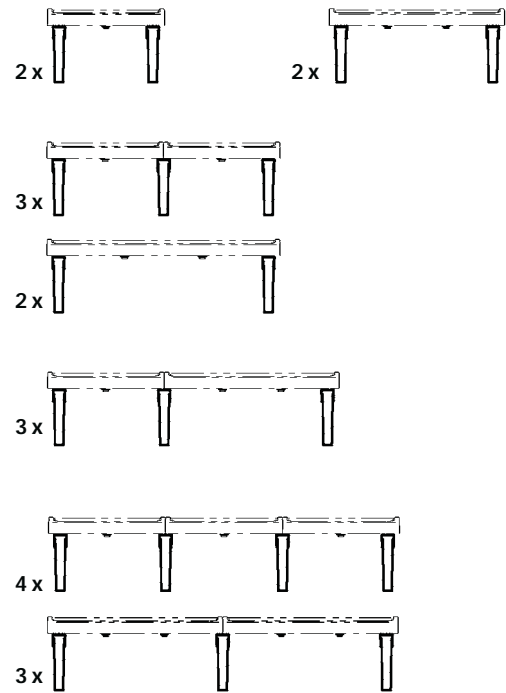


KWC FUTURA exklusiv multiple washbasins

wall mounting /quantity of taps

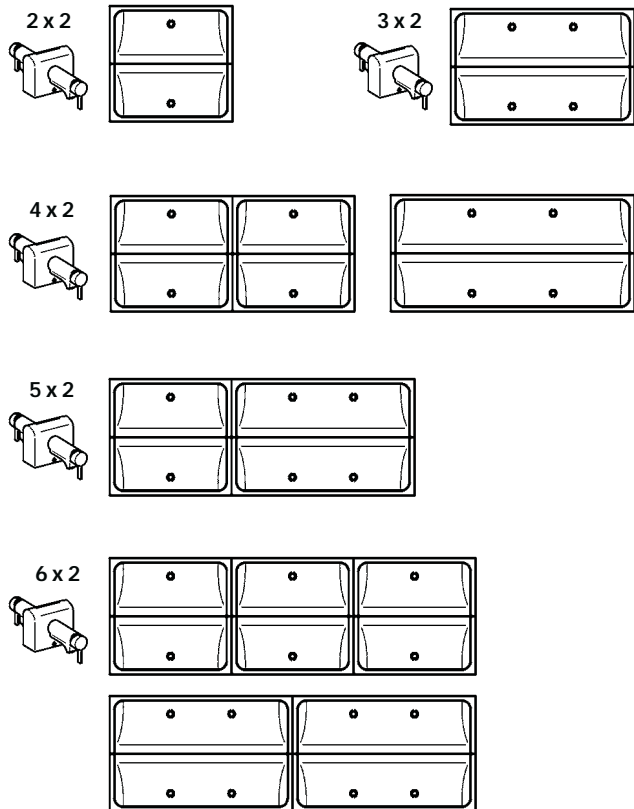


quantity of angled legs

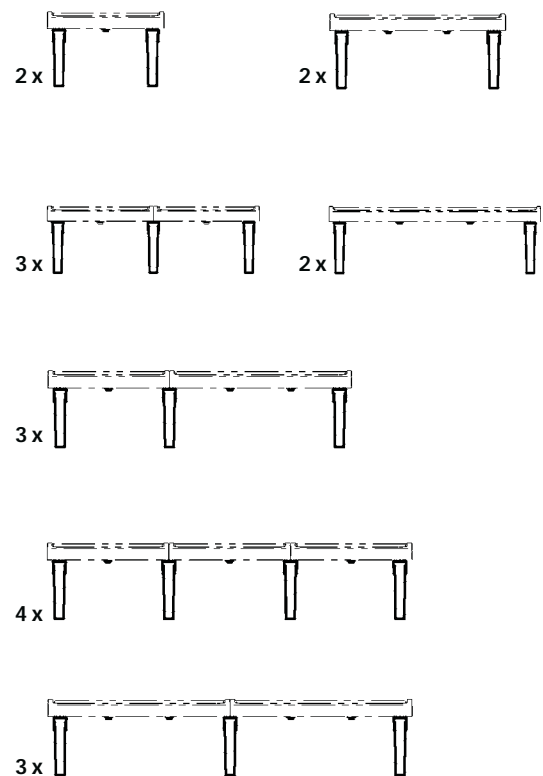


Tap units for wall mounting to water supply for FUTURA exklusiv multiple washbasin see chapter "Washbasin taps".

double-row mounting / quantity of taps



quantity of bridge legs



Tap units for water supply for FUTURA exklusiv multiple washbasin, double-row, see chapter "Washbasin tap".



Sanitary facilities for the healthcare sector

Taps, wash places and additional products that are used in hospitals and healthcare facilities must meet specific requirements. From patients' bathrooms to surgical areas and from clean rooms to visitors' toilets, one thing is clear: Good hygiene saves lives.

State-of-the-art hermostat single lever mixers, which feature bracket-shaped handles that are easy to grasp even for people with impaired mobility or motor skills, can be combined with barrier-free wash places made of mineral granite. Surgical wash places and general purpose utility sinks made of this composite material are ideal for use in the medical sector thanks to their non-porous easy-to-clean gel surface coating. They can be manufactured to customised dimensions and offer excellent versatility with respect to the number of basins and storage surfaces.

Additional stainless steel sanitary fittings are also optimal in terms of their hygienic and cleaning properties.

Fittings, washbasins, equipment elements

F4LT-Med thermostatic single-lever mixer	112
MEDCARE, EXOS., VARIUScare washbasins	118
VARIUSmed multiple washbasin and washbasin for the op area	127
MEDCARE dispensers	129
Removable wall outlets and baby bathtub	130
VARIUSmed multi-purpose basins	131
SIRIUS plaster sink, cleaner sinks	132

Please find our grab rails from the MEDCARE and CONTINA series for equipping barrier-free sanitary facilities in the 'Barrier-free equipment elements' section.

KWC F4LT-Med thermostatic single-lever mixer

Type	Article Number
------	----------------



F4LT-Med thermostatic single lever mixer

F4LT-Med thermostatic single lever mixer as DN 15 pillar mixer for sanitary facilities in the healthcare and nursing sector, lever length 172 mm. Thermostat-controlled mixer cartridge with expansion element and active scald protection, fail-safe against backflow, as well as adjustable and turn-proof temperature stop, and ceramic disc technology. Without backflow preventer for optimised drinking water hygiene. Lever cap ergonomically designed in closed construction for contactless lever actuation. For connection to hot water and cold water via hoses, includes strainers. Tap optimised for cleaning, all-metal construction, polished chromium-plated low-lead brass (lead proportion $\leq 0.2\%$), with volume-reduced water flow without nickel coating. Laminar jet controller with integrated flow rate controller 8.0 l/min, projection 135 mm.

F4LT1010	2030072403
with connection pipes	
F4LT1011	2030072405

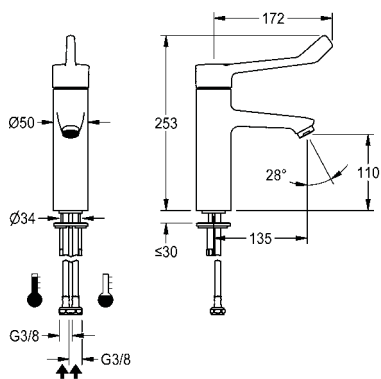
Optional accessories

Anti-twist protection

ACLM1009	2030041324
-----------------	------------

Theft-proof housing for aerator

ZTAPS0005	2000104778
------------------	------------



F4LT-Med thermostatic single lever mixer with pop-up waste set

F4LT-Med thermostatic single lever mixer as DN 15 pillar mixer for sanitary facilities in the healthcare and nursing sector, lever length 172 mm. Thermostat-controlled mixer cartridge with expansion element and active scald protection, fail-safe against backflow, as well as adjustable and turn-proof temperature stop, and ceramic disc technology. Without backflow preventer for optimised drinking water hygiene. Lever cap ergonomically designed in closed construction for contactless lever actuation. For connection to hot water and cold water via hoses, includes strainers. Tap optimised for cleaning, all-metal construction, polished chromium-plated low-lead brass (lead proportion $\leq 0.2\%$), with volume-reduced water flow without nickel coating. Laminar jet controller with integrated flow rate controller 8.0 l/min, projection 135 mm. With chrome-plated pop-up waste set/waste fitting kit G 1 1/4.

F4LT1015	2030072404
with connection pipes	
F4LT1016	2030072406

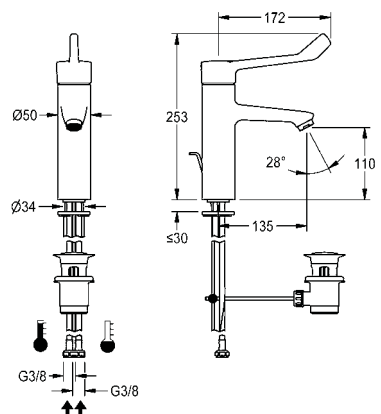
Optional accessories

Anti-twist protection

ACLM1009	2030041324
-----------------	------------

Theft-proof housing for aerator

ZTAPS0005	2000104778
------------------	------------



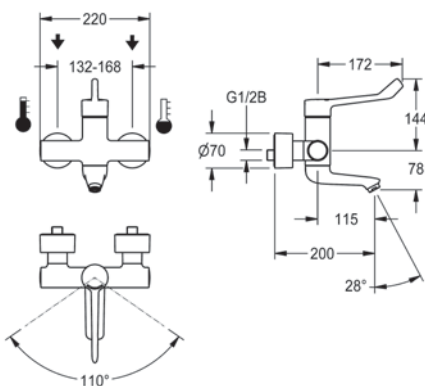
KWC F4LT-Med thermostatic single-lever mixer

Type Article Number



F4LT-Med thermostatic single lever mixer

F4LT-Med thermostatic single lever mixer as DN 15 wall-mounted mixer, for wall mounting with lockable swivelling spout, for sanitary facilities in the healthcare and nursing sector, lever length 172 mm. Thermostat-controlled mixer cartridge with expansion element and active scald protection, fail-safe against backflow as well as adjustable, turn-proof temperature stop, ceramic disc technology and flow rate controller 9.0 l/min. Without backflow preventer for optimised drinking water hygiene. Lever cap ergonomically designed in closed construction for contactless lever actuation. For connecting to hot and cold water. Tap optimised for cleaning, scald-protected, safe-touch housing, all-metal construction, polished chromium-plated brass. Decoupled from the tap housing, volume-reduced, smooth water flow from low-lead brass (lead proportion $\leq 0.2\%$), and without nickel coating. With thermal insulation components to reduce heat transfer from the tap housing to the cold-water line. Self-emptying spout with laminar jet controller. With adjustable and lockable connections with strainers, fully covered by depth-adjustable screw rosettes. 200 mm projection.



F4LT1024 2030072407

Optional accessories

Aerator, packing unit 10 pieces.
(If assembled to F4 wall-mounted mixers the funktion of the self-emptying spout is obsolete.)

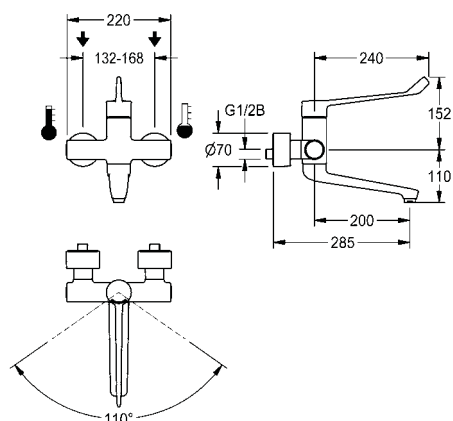
ASXX1042 2030071309

Sanitary facilities for the healthcare sector



F4LT-Med thermostatic single lever mixer

F4LT-Med thermostatic single lever mixer as DN 15 wall-mounted mixer, for wall mounting with lockable swivelling spout, for surgical sanitary facilities and unclean work spaces in the healthcare and nursing sector, lever length 240 mm. Thermostat-controlled mixer cartridge with expansion element and active scald protection, fail-safe against backflow as well as adjustable, turn-proof temperature stop, ceramic disc technology and flow rate controller 9.0 l/min. Without backflow preventer for optimised drinking water hygiene. Lever cap ergonomically designed in closed construction for contactless lever actuation. For connecting to hot and cold water. Tap optimised for cleaning, scald-protected, safe-touch housing, all-metal construction, polished chromium-plated brass. Decoupled from the tap housing, volume-reduced, smooth water flow from low-lead brass (lead proportion $\leq 0.2\%$), and without nickel coating. With thermal insulation components to reduce heat transfer from the tap housing to the cold-water line. Self-emptying spout with laminar jet controller. With adjustable and lockable connections with strainers, fully covered by depth-adjustable screw rosettes. 285 mm projection.



F4LT1025 2030072408

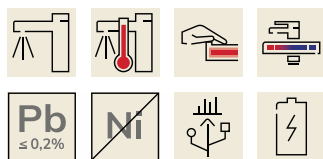
Optional accessories

Aerator, packing unit 10 pieces.
(If assembled to F4 wall-mounted mixers the funktion of the self-emptying spout is obsolete.)

ASXX1042 2030071309

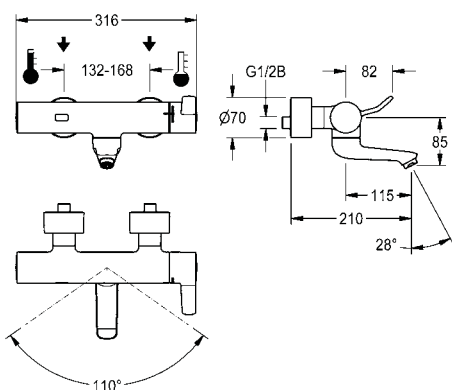
KWC F4ET-Med thermostatic single-lever mixer

Type Article Number



F4ET-Med thermostatic wall-mounted mixer

F4ET-Med thermostatic wall-mounted mixer as DN 15 wall-mounted mixer, for wall mounting with lockable swivelling spout, for sanitary facilities in the healthcare and nursing sector. Opto-electronically controlled, triggered by hand movement with subsequent automatic switching to body detection. Thermostat with metal handle, including lever for reduced-touch operation, and adjustable, turn-proof temperature stop. With the option of manual thermal disinfection. For connecting to hot and cold water. Control electronics, stagnation-free hygiene solenoid valve cartridge, flow rate controller 9.0 l/min, 6 V lithium battery (CR-P2) and sensor in the scald-protected safe-touch housing, polished chromium-plated brass. Decoupled from the tap housing, volume-reduced, smooth water flow from low-lead brass (lead proportion $\leq 0.2\%$), and without nickel coating. With thermal insulation components to reduce heat transfer from the tap housing to the cold-water line. Self-emptying spout with laminar jet controller. With adjustable and lockable connections with backflow preventers and strainers, fully covered by depth-adjustable screw rosettes. 210 mm projection. Activated water hygiene flushing 24 hours after last activation, safety switch-off for continuous reflection and saving of statistical data. With option for parametrisation and communication via optional, bidirectional remote control.



F4ET1001 2030072424

Optional accessories

Bidirectional remote control

ACEX9005 2030036654

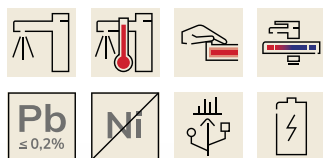
2-button remote control

ACEX9004 2030036849

Aerator, packing unit 10 pieces.

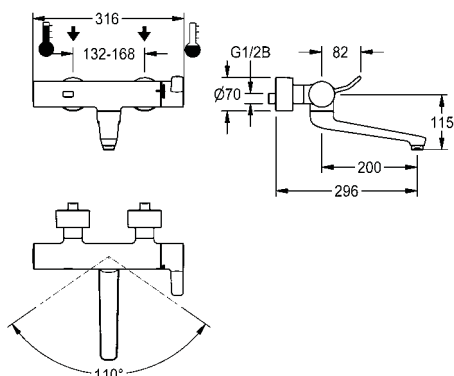
(If assembled to F4 wall-mounted mixers the function of the self-emptying spout is obsolete.)

ASXX1042 2030071309



F4ET-Med thermostatic wall-mounted mixer

F4ET-Med thermostatic wall-mounted mixer as DN 15 wall-mounted mixer, for wall mounting with lockable swivelling spout, for surgical sanitary facilities in the healthcare and nursing sector. Opto-electronically controlled, triggered by hand movement with subsequent automatic switching to body detection. Thermostat with metal handle, including lever for reduced-touch operation, and adjustable, turn-proof temperature stop. With the option of manual thermal disinfection. For connecting to hot and cold water. Control electronics, stagnation-free hygiene solenoid valve cartridge, flow rate controller 9.0 l/min, 6 V lithium battery (CR-P2) and sensor in the scald-protected safe-touch housing, polished chromium-plated brass. Decoupled from the tap housing, volume-reduced, smooth water flow from low-lead brass (lead proportion $\leq 0.2\%$), and without nickel coating. With thermal insulation components to reduce heat transfer from the tap housing to the cold-water line. Self-emptying spout with laminar jet controller. With adjustable and lockable connections with backflow preventers and strainers, fully covered by depth-adjustable screw rosettes. 296 mm projection. Activated water hygiene flushing 24 hours after last activation, safety switch-off for continuous reflection and saving of statistical data. With option for parametrisation and communication via optional, bidirectional remote control.



F4ET1002 2030072425

Optional accessories

Bidirectional remote control

ACEX9005 2030036654

2-button remote control

ACEX9004 2030036849

Aerator, packing unit 10 pieces.

(If assembled to F4 wall-mounted mixers the function of the self-emptying spout is obsolete.)

ASXX1042 2030071309

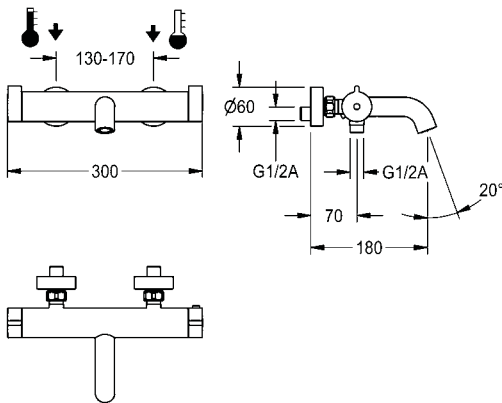
KWC F4MT-Med thermostat bath mixer

Type	Article Number
------	----------------



F4MT-Med thermostat bath mixer

F4MT-Med thermostat bath mixer with fixed spout as a two-handle wall-mounted mixer DN 15, fitting group I, for wall mounting for baths in the healthcare and nursing sector, for connecting to hot and cold water. Ceramic valve cartridge with rotary handle for flow regulation, mixer water shut-off, as well as integrated diverter for bathtub and hand shower. Thermostat-controlled mixer cartridge with expansion element and active scald protection, fail-safe against backflow as well as adjustable, turn-proof temperature stop, preset to 38 °C and option to carry out manual thermal disinfection. Tap optimised for cleaning with ergonomically designed handles, scald-protected safe-touch housing with hand shower connection 13 l/min, G 1/2 B, bath spout with laminar jet controller 20 l/min and backflow preventer. All-metal construction, high-polished chrome-plated. Double-walled tap housing for reducing the heat transfer from the tap housing to the cold water line, with volume-reduced and smooth water lines. With adjustable connections with strainers, fully covered by depth-adjustable screw rosettes. 180 mm bath spout projection.



F4MT2001	3600000189
-----------------	------------

Optional accessories

Hand shower	
-------------	--

ACXX2007	2030051216
-----------------	------------

Shower bracket with shower holder	
-----------------------------------	--

ACXX2008	2030051217
-----------------	------------

KWC F4LT-Med thermostatic single-lever mixer

Type Article Number



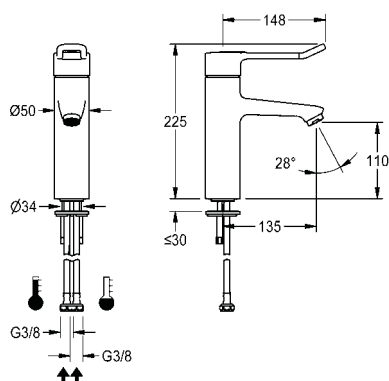
F4LT-Med thermostatic single-lever pillar mixer

F4LT-Med thermostatic single lever mixer as DN 15 pillar mixer for sanitary facilities in the healthcare and nursing sectors, with 148 mm lever. Thermostat-controlled mixer cartridge with expansion element and active scald protection, fail-safe against backflow as well as adjustable and turn-proof temperature stop, and ceramic disc technology. Without additional backflow preventer for optimised drinking water hygiene. Lever cap in ergonomic bracket design, with slight curvature in the front and basalt-grey coating, in line with two-senses principle (tactile and visual). For connection to hot water and cold water via hoses, includes strainers. Tap optimised for cleaning, all-metal construction, polished chromium-plated low-lead brass (lead proportion $\leq 0.2\%$), with volume-reduced water flow without nickel coating. Laminar jet controller with integrated flow rate controller 8.0 l/min, projection 135 mm.

F4LT1002	2030066749
With connection pipes	
F4LT1008	2030068119

Optional accessories

Anti-twist protection	
ACLM1009	2030041324
Theft-proof housing for aerator	
ZTAPS0005	2000104778



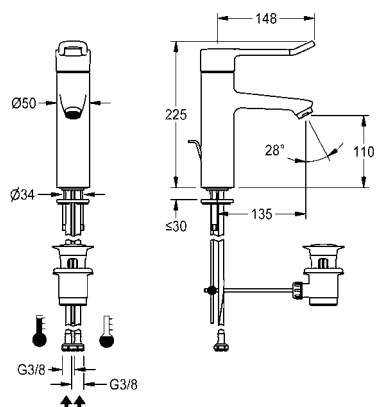
F4LT-Med thermostatic single-lever pillar mixer with pop-up waste set

F4LT-Med thermostatic single lever mixer as DN 15 pillar mixer for sanitary facilities in the healthcare and nursing sectors, with 148 mm lever. Thermostat-controlled mixer cartridge with expansion element and active scald protection, fail-safe against backflow as well as adjustable and turn-proof temperature stop, and ceramic disc technology. Without additional backflow preventer for optimised drinking water hygiene. Lever cap with an ergonomic bracket design and slight curvature in the front with basalt-grey coating, in line with two-senses principle (tactile and visual). For connection to hot water and cold water via hoses, includes strainers. Tap optimised for cleaning, all-metal construction, polished chromium-plated low-lead brass (lead proportion $\leq 0.2\%$), with volume-reduced water flow without nickel coating. Laminar jet controller with integrated flow rate controller 8.0 l/min, projection 135 mm. With chrome-plated pop-up waste set waste fitting kit G 1 1/4.

F4LT1003	2030067801
With connection pipes	
F4LT1009	2030068120

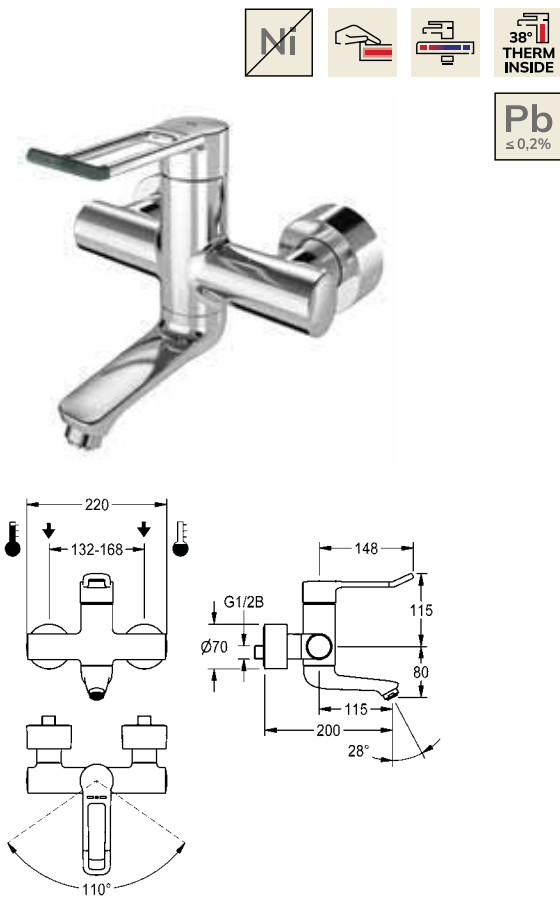
Optional accessories

Anti-twist protection	
ACLM1009	2030041324
Theft-proof housing for aerator	
ZTAPS0005	2000104778



KWC F4LT-Med thermostatic single-lever mixer

Type Article Number



F4LT-Med thermostatic single-lever wall-mounted mixer

F4LT-Med thermostatic single lever mixer as DN 15 wall-mounted mixer for wall mounting with lockable swivelling spout, for sanitary facilities in the healthcare and nursing sectors, with 148 mm lever. Thermostat-controlled mixer cartridge with expansion element and active scald protection, fail-safe against backflow as well as adjustable and turn-proof temperature stop, and ceramic disc technology. Without additional backflow preventer for optimised drinking water hygiene. Lever cap with an ergonomic bracket design and slight curvature in the front with basalt-grey coating, in line with two-senses principle (tactile and visual). For connection to hot and cold water. Tap optimised for cleaning, scald-protected, safe-touch housing, all-metal construction, polished chromium-plated brass. Decoupled from the tap housing, volume-reduced, smooth water flow from low-lead brass (lead proportion $\leq 0.2\%$), and without nickel coating. With thermal insulation components to reduce heat transfer from the tap housing to the cold-water line. Self-emptying spout with flow rate controller 9.0 l/min and laminar jet controller. With adjustable and lockable connections with strainers, fully covered by depth-adjustable screw rosettes. Projection 200 mm.

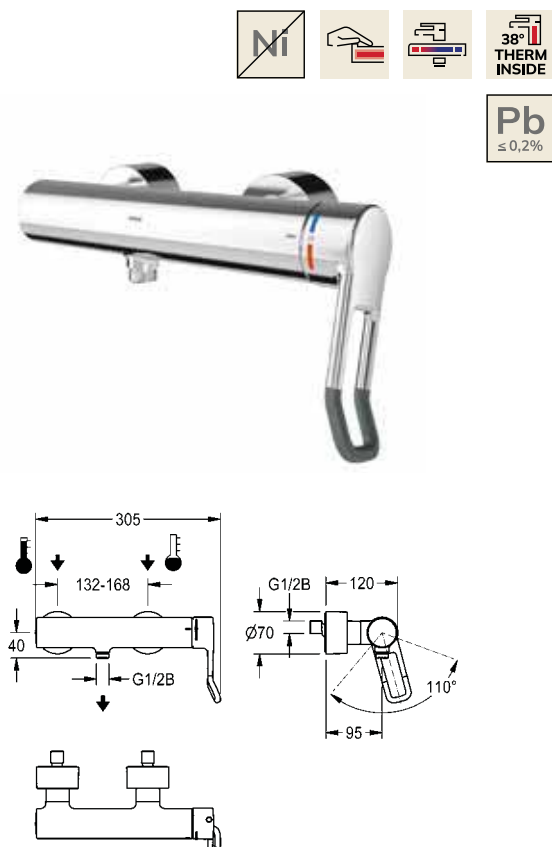
F4LT1005 2030066753

Optional accessories

Aerator, packing unit 10 pieces.

(If assembled to F4 wall-mounted mixers the function of the self-emptying spout is obsolete.)

ASXX1042 2030071309



F4LT-Med thermostatic single-lever wall-mounted mixer with hand shower connection

F4LT-Med thermostatic single lever mixer as DN 15 wall-mounted mixer for wall mounting, for shower facilities in the healthcare and nursing sectors, with 118 mm lever. Thermostat-controlled mixer cartridge with expansion element and active scald protection, fail-safe against backflow as well as adjustable and turn-proof temperature stop, and ceramic disc technology. Without additional backflow preventer for optimised drinking water hygiene. Lever cap with an ergonomic bracket design and slight curvature in the front with basalt-grey coating, in line with two-senses principle (tactile and visual). For connection to hot and cold water. Tap optimised for cleaning, scald-protected, safe-touch housing with hand shower connection, G 1/2 B. All-metal construction, polished chromium-plated brass. Decoupled from the tap housing, volume-reduced, smooth water flow from low-lead brass (lead proportion $\leq 0.2\%$), and without nickel coating. With thermal insulation components to reduce heat transfer from the tap housing to the cold-water line. With adjustable and lockable connections with strainers, fully covered by depth-adjustable screw rosettes.

F4LT2003 2030066757

Optional accessories

Hand shower

ACXX2007 2030051216

Shower bracket with shower holder

ACXX2008 2030051217

Drain valve for automatic shower hose drainage

ACXX2009 2030068123

KWC MEDCARE single washbasins

Type	Article Number
------	----------------



MEDCARE single washbasin, barrier-free

MEDCARE single washbasin made of MIRANIT resin-bonded mineral material with pore-free smooth surface (temperature-resistant up to 80 °C), Alpine white colour. Roll-under, with integrated grab rails, edged with a colour strip in basalt grey. With seamless moulded bowl, overflow and tap hole 35 mm (D). Mounting on washbasin back panel. Rear surge edge, including mounting material.

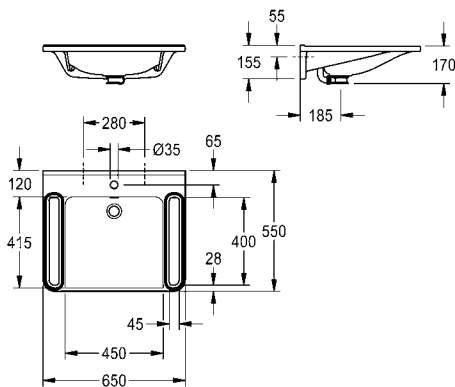
Dimensions 650 x 150 x 550 mm (W x H x D)
Bowl dimensions 450 x 117 x 415 mm (W x H x D)

ANMW0038 2030070763

Optional accessories

Dome waste valve, chrome-plated

ZANMW0030 2030057337



MEDCARE single washbasin, barrier-free

MEDCARE single washbasin made of MIRANIT resin-bonded mineral material with pore-free smooth surface (temperature-resistant up to 80 °C), Alpine white colour. Roll-under, with integrated grab rails, edged with a colour strip in basalt grey. Seamless moulded bowl, without overflow, without tap hole. Mounting on washbasin back panel. Rear surge edge, including mounting material.

Dimensions 650 x 150 x 550 mm (W x H x D)
Bowl dimensions 450 x 117 x 415 mm (W x H x D)

ANMW0042 2030072428

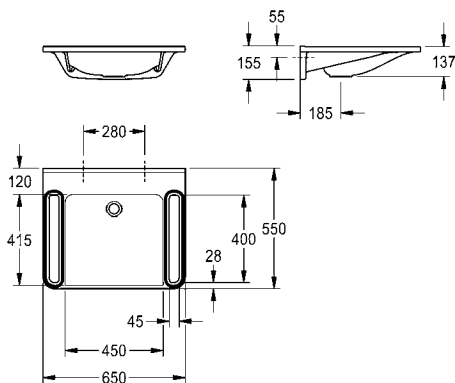
Optional accessories

Dome waste valve, chrome-plated

ZANMW0030 2030057337

Strainer waste G 1 1/4 B

ZANMW901 2000100854



KWC MEDCARE single washbasins

Type	Article Number
------	----------------



MEDCARE single washbasin, barrier-free

MEDCARE single washbasin made of MIRANIT resin-bonded mineral material with pore-free smooth surface (temperature-resistant up to 80 °C), Alpine white colour. Roll-under, with integrated grab rails, seamless moulded bowl, overflow and tap hole 35 mm (D). Mounting on washbasin back panel. Rear surge edge, including mounting material.

Dimensions 650 x 150 x 550 mm (W x H x D)
 Bowl dimensions 450 x 117 x 415 mm (W x H x D)

ANMW0039	2030070764
-----------------	------------

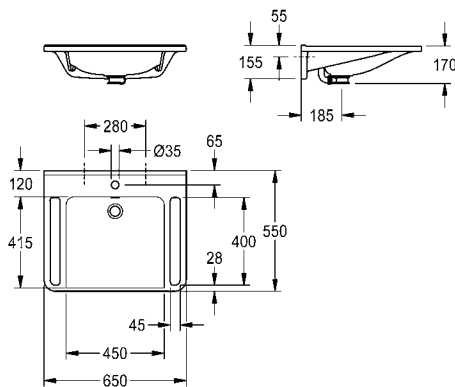
without tap hole

ANMW0040	2030072426
-----------------	------------

Optional accessories

Dome waste valve, chrome-plated

ZANMW0030	2030057337
------------------	------------



MEDCARE single washbasin, barrier-free

MEDCARE single washbasin made of MIRANIT resin-bonded mineral material with pore-free smooth surface (temperature-resistant up to 80 °C), Alpine white colour. Roll-under, with integrated grab rails, seamless moulded bowl, without overflow, with tap hole 35 mm (D). Mounting on washbasin back panel. Rear surge edge, including mounting material.

Dimensions 650 x 150 x 550 mm (W x H x D)
 Bowl dimensions 450 x 117 x 415 mm (W x H x D)

ANMW0041	2030072427
-----------------	------------

without tap hole

ANMW0043	2030072429
-----------------	------------

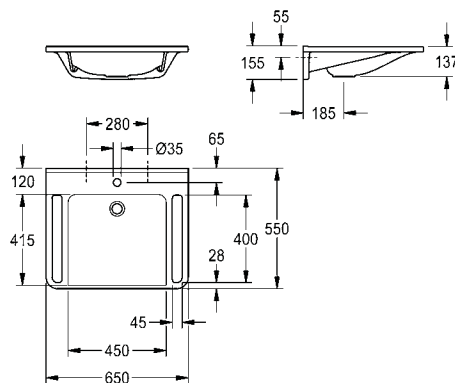
Optional accessories

Dome waste valve, chrome-plated

ZANMW0030	2030057337
------------------	------------

Strainer waste G 1 1/4 B

ZANMW901	2000100854
-----------------	------------



KWC MEDCARE single washbasins

Type	Article Number
------	----------------



MEDCARE single washbasin, barrier-free

MEDCARE single washbasin made of MIRANIT resin-bonded mineral material with pore-free smooth surface (temperature-resistant up to 80 °C), Alpine white colour. Roll-under, with integrated grab rails, edged with a colour strip in basalt grey. With storage areas, seamless moulded bowl, overflow and tap hole 35 mm (D). Mounting on washbasin back panel. Rear surge edge, including mounting material.

Dimensions 850 x 150 x 550 mm (W x H x D)
Bowl dimensions 500 x 117 x 415 mm (W x H x D)

ANMW0046	2030070523
-----------------	------------

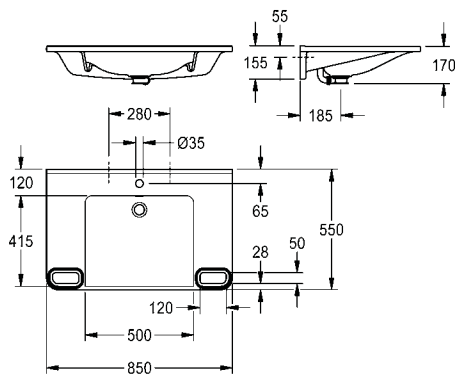
without tap hole

ANMW0048	2030072432
-----------------	------------

Optional accessories

Dome waste valve, chrome-plated

ZANMW0030	2030057337
------------------	------------



MEDCARE single washbasin, barrier-free

MEDCARE single washbasin made of MIRANIT resin-bonded mineral material with pore-free smooth surface (temperature-resistant up to 80 °C), Alpine white colour. Roll-under, with integrated grab rails, edged with a colour strip in basalt grey. With storage areas, seamless moulded bowl, without overflow, with tap hole 35 mm (D). Mounting on washbasin back panel. Rear surge edge, including mounting material.

Dimensions 850 x 150 x 550 mm (W x H x D)
Bowl dimensions 500 x 117 x 415 mm (W x H x D)

ANMW0050	2030072434
-----------------	------------

without tap hole

ANMW0052	2030072436
-----------------	------------

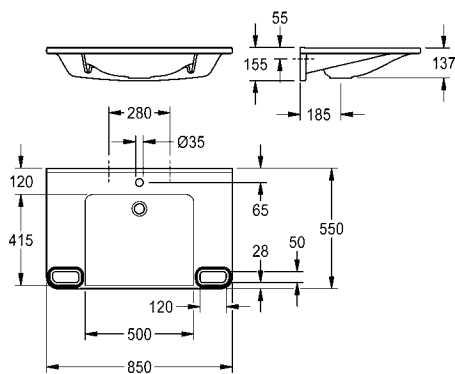
Optional accessories

Dome waste valve, chrome-plated

ZANMW0030	2030057337
------------------	------------

Strainer waste G 1 1/4 B

ZANMW901	2000100854
-----------------	------------



KWC MEDCARE single washbasins

Type	Article Number
------	----------------



MEDCARE single washbasin, barrier-free

MEDCARE single washbasin made of MIRANIT resin-bonded mineral material with pore-free smooth surface (temperature-resistant up to 80 °C), Alpine white colour. Roll-under, with integrated grab rails, storage areas, seamless moulded bowl, overflow and tap hole 35 mm (D). Mounting on washbasin back panel. Rear surge edge, including mounting material.

Dimensions 850 x 150 x 550 mm (W x H x D)
 Bowl dimensions 500 x 117 x 415 mm (W x H x D)

ANMW0047 2030070524

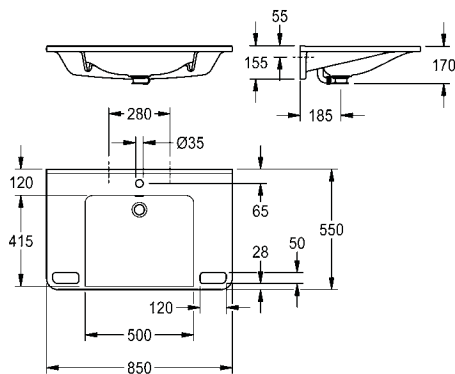
without tap hole

ANMW0049 2030072433

Optional accessories

Dome waste valve, chrome-plated

ZANMW0030 2030057337



MEDCARE single washbasin, barrier-free

MEDCARE single washbasin made of MIRANIT resin-bonded mineral material with pore-free smooth surface (temperature-resistant up to 80 °C), Alpine white colour. Roll-under, with integrated grab rails, storage areas, seamless moulded bowl, without overflow, with tap hole 35 mm (D). Mounting on washbasin back panel. Rear surge edge, including mounting material.

Dimensions 850 x 150 x 550 mm (W x H x D)
 Bowl dimensions 500 x 117 x 415 mm (W x H x D)

ANMW0051 2030072435

without tap hole

ANMW0053 2030072437

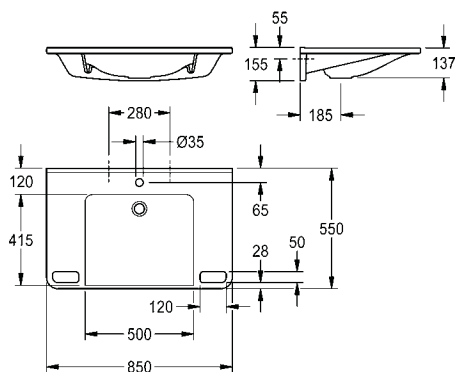
Optional accessories

Dome waste valve, chrome-plated

ZANMW0030 2030057337

Strainer waste G 1 1/4 B

ZANMW901 2000100854



KWC MEDCARE single washbasins

Type	Article Number
------	----------------



MEDCARE single washbasin, barrier-free

MEDCARE single washbasin made of MIRANIT resin-bonded mineral material with pore-free smooth surface (temperature-resistant up to 80 °C), Alpine white colour. Roll-under, with seamless moulded bowl, without overflow, with tap hole 35 mm (D). Mounting on washbasin back panel. Rear surge edge, including mounting material.

Dimensions 650 x 150 x 550 mm (W x H x D)
Bowl dimensions 450 x 117 x 415 mm (W x H x D)

ANMW0044	2030072430
-----------------	------------

without tap hole

ANMW0045	2030072431
-----------------	------------

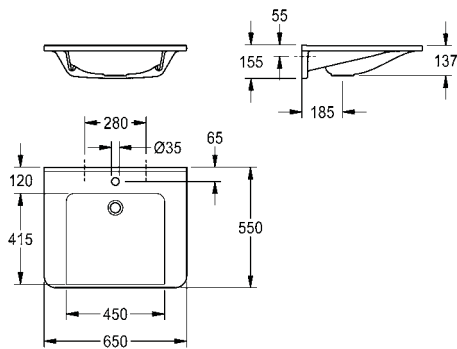
Optional accessories

Dome waste valve, chrome-plated

ZANMW0030	2030057337
------------------	------------

Strainer waste G 1 1/4 B

ZANMW901	2000100854
-----------------	------------



MEDCARE single washbasin, barrier-free

MEDCARE single washbasin made of MIRANIT resin-bonded mineral material with pore-free smooth surface (temperature-resistant up to 80 °C), Alpine white colour. Roll-under, with storage areas, seamless moulded bowl, overflow and tap hole 35 mm (D). Mounting on washbasin back panel. Rear surge edge, including mounting material.

Dimensions 850 x 150 x 550 mm (W x H x D)
Bowl dimensions 500 x 117 x 415 mm (W x H x D)

ANMW0054	2030072438
-----------------	------------

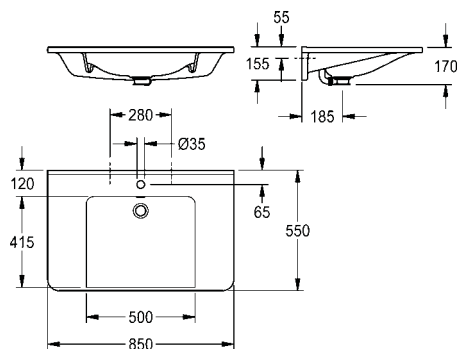
without tap hole

ANMW0055	2030072439
-----------------	------------

Optional accessories

Dome waste valve, chrome-plated

ZANMW0030	2030057337
------------------	------------



KWC MEDCARE single washbasins

Type	Article Number
------	----------------



MEDCARE single washbasin, barrier-free

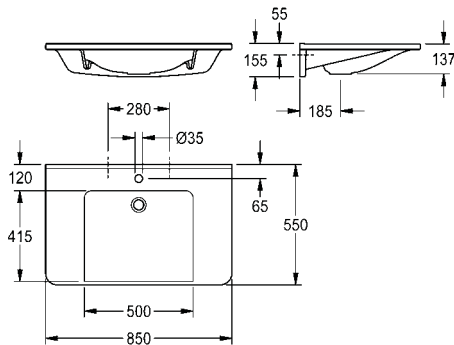
MEDCARE single washbasin made of MIRANIT resin-bonded mineral material with pore-free smooth surface (temperature-resistant up to 80 °C), Alpine white colour. Roll-under, with storage areas, seamless moulded bowl, without overflow, with tap hole 35 mm (D). Mounting on washbasin back panel. Rear surge edge, including mounting material.

Dimensions 850 x 150 x 550 mm (W x H x D)
 Bowl dimensions 500 x 117 x 415 mm (W x H x D)

ANMW0056	2030072440
without tap hole	
ANMW0057	2030072441

Optional accessories

Dome waste valve, chrome-plated	
ZANMW0030	2030057337
Strainer waste G 1 1/4 B	
ZANMW901	2000100854



KWC MEDCARE multiple washbasins

Type Article Number



MEDCARE multiple washbasin

MEDCARE multiple washbasin made of MIRANIT resin-bonded mineral material with pore-free smooth surface (temperature-resistant up to 80 °C), Alpine white colour. Roll-under, with integrated grab rails, edged with colour strips in basalt grey. With storage areas, up to four seamlessly moulded bowls, optionally with/without overflow, with/without tap hole. Variable bowl spacing, mounting on washbasin back panel. Rear surge edge, including mounting material.

Dimensions 900–3000 x 150 x 550 mm (W x H x D)
Bowl dimensions 500 x 117 x 415 mm (W x H x D)

Detailed specifications, such as the type of installation and bowl spacing, etc., shall be provided via production sheets based on the individual order (to be requested from KWC Professional).



MEDCARE multiple washbasin

MEDCARE multiple washbasin made of MIRANIT resin-bonded mineral material with pore-free smooth surface (temperature-resistant up to 80 °C), Alpine white areas. Roll-under, with integrated grab rails, storage areas, up to four seamlessly moulded bowls, optionally with/without overflow, with/without tap hole. Variable bowl spacing, mounting on washbasin back panel. Rear surge edge, including mounting material.

Dimensions 900–3000 x 150 x 550 mm (W x H x D)
Bowl dimensions 500 x 117 x 415 mm (W x H x D)

Detailed specifications, such as the type of installation and bowl spacing, etc., shall be provided via production sheets based on the individual order (to be requested from KWC Professional).



MEDCARE multiple washbasin

MEDCARE multiple washbasin made of MIRANIT resin-bonded mineral material with pore-free smooth surface (temperature-resistant up to 80 °C), Alpine white colour. Roll-under, with storage areas, up to four seamlessly moulded bowls, optionally with/without overflow, with/without tap hole. Variable bowl spacing, mounting on washbasin back panel. Rear surge edge, including mounting material.

Dimensions 900–3000 x 150 x 550 mm (W x H x D)
Bowl dimensions 500 x 117 x 415 mm (W x H x D)

Detailed specifications, such as the type of installation and bowl spacing, etc., shall be provided via production sheets based on the individual order (to be requested from KWC Professional).



KWC EXOS. single and multiple washbasins

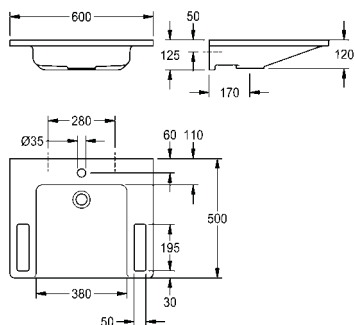
Type Article Number



EXOS. single washbasin, barrier-free

EXOS. single washbasin made of MIRANIT resin-bonded mineral material with pore-free, smooth surface (temperature-resistant up to 80 °C), Alpine white colour. Roll-under, with integrated grab rails, storage areas, seamless moulded bowl, without overflow, with top hole 35 mm (D). Mounting on washbasin back panel, including mounting material.

Dimensions 600 x 125 x 500 mm (W x H x D)
Bowl dimensions 380 x 98 x 390 mm (W x H x D)



ANMW0001N 2030073252

Optional accessories

Dome waste valve, chrome-plated

ZANMW0030 2030057337

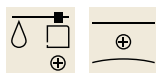
Dome waste valve, white powder-coated

ZANMW0031 2030057339

Dome waste valve, stainless steel

ZANMW0050 3600001266

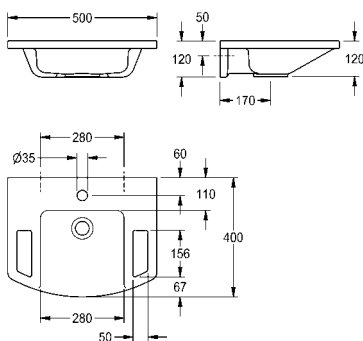
Sanitary facilities for the healthcare sector



EXOS. hand washbasin, barrier-free

EXOS. hand washbasin made of MIRANIT resin-bonded mineral material with pore-free smooth surface (temperature-resistant up to 80 °C), Alpine white colour. Roll-under, with integrated grab rails, storage areas, seamless moulded bowl, without overflow, with tap hole 35 mm (D). Mounting on washbasin back panel, including mounting material.

Dimensions 500 x 125 x 400 mm (W x H x D)
Bowl dimensions 280 x 98 x 290 mm (W x H x D)



ANMW0003N 2030073250

Optional accessories

Dome waste valve, chrome-plated

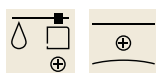
ZANMW0030 2030057337

Dome waste valve, white powder-coated

ZANMW0031 2030057339

Dome waste valve, stainless steel

ZANMW0050 3600001266



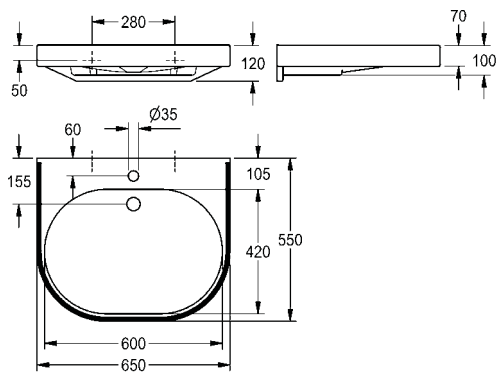
EXOS. multiple washbasin

EXOS. multiple washbasin made of MIRANIT resin-bonded mineral material, with pore-free, smooth surface (temperature-resistant up to 80 °C), Alpine white colour. Roll-under, with integrated grab rails, storage areas, up to four seamlessly moulded bowls, without overflow, with 35 mm tap hole (D). Variable bowl spacing, mounting on washbasin back panel, optionally available with apron and/or upstand or surge edge, including mounting material.

Dimensions 780-3600 x 125 x 500 mm (W x H x D)
Bowl dimensions 380 x 98 x 390 mm (W x H x D)

Detailed specifications, such as the type of installation and bowl spacing, etc., shall be provided via production sheets based on the individual order (to be requested from KWC Professional).

KWC VARIUScare single washbasins



Type	Article Number
------	----------------

VARIUScare single washbasin barrier-free

VARIUScare single wash basin made of MIRANIT resin-bonded mineral material. Colour Alpine white with colour strip (RAL 7022). Wheelchair accessible, with integrated gripping edge. Seamless moulded bowl, without overflow. With tap hole. Mounting on washbasin back panel. Rear contoured edge. Mounting material included.

Dimensions 650 x 120 x 550 mm (W x H x D)
Bowl dimensions 600 x 80 x 420 mm (W x H x D)

ANMW500	2030020956
----------------	------------

Dimensions 550 x 120 x 450 mm (W x H x D)
Recess dimensions 500 x 80 x 325 mm (W x H x D)

ANMW502	2030020959
----------------	------------

Dimensions 450 x 100 x 350 mm (W x H x D)
Recess dimensions 400 x 60 x 230 mm (W x H x D)

ANMW504	2030020962
----------------	------------

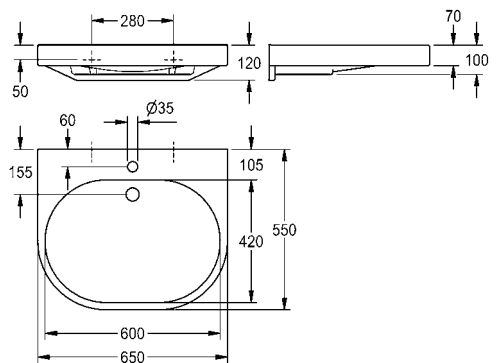
Optional accessories

Strainer waste G 1 1/4 B

ZANMW901	2000100854
-----------------	------------

Dome waste valve G 1 1/4 B

ZANMW900	2000100861
-----------------	------------



VARIUScare single washbasin barrier-free

VARIUScare single washbasin made of MIRANIT resin-bonded mineral material. Colour Alpine white. Wheelchair accessible, with integrated gripping edge. Seamless moulded bowl, without overflow. With tap hole. Mounting on washbasin back panel. Rear contoured edge. Mounting material included.

Dimensions 650 x 120 x 550 mm (W x H x D)
Bowl dimensions 600 x 80 x 420 mm (W x H x D)

ANMW501	2030020958
----------------	------------

Dimensions 550 x 120 x 450 mm (W x H x D)
Recess dimensions 500 x 80 x 325 mm (W x H x D)

ANMW503	2030020961
----------------	------------

Dimensions 450 x 100 x 350 mm (W x H x D)
Recess dimensions 400 x 60 x 230 mm (W x H x D)

ANMW505	2030020963
----------------	------------

Optional accessories

Strainer waste G 1 1/4 B

ZANMW901	2000100854
-----------------	------------

Dome waste valve G 1 1/4 B

ZANMW900	2000100861
-----------------	------------

KWC VARIUSmed multiple washbasins

Type	Article Number
------	----------------

VARIUSmed multiple washbasin

VARIUSmed multiple washbasin made of MIRANIT resin-bonded mineral material, with a non-porous smooth surface (temperature resistant up to 80°C) coated all around. Alpine white colour. With up to 3 seamlessly integrated bowls, without overflow. Variable bowl distance, centre distance of bowls at least 700 mm. Ergonomic bowl shape with large inside radii, with slight rearward slant to prevent dripping water. Mounting on washbasin back panel. Rear contoured edge. Including fastening materials.

Dimensions 700 - 3200 x 230 x 550 mm (W x H x D)
 Bowl dimensions 645 x 205 x 440 mm (W x H x D)
 Plate thickness 25 mm

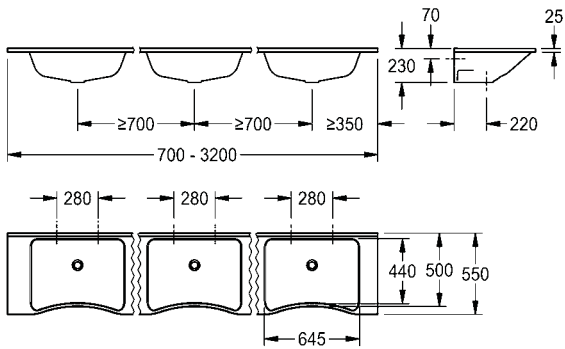
Customized fit to building specifications

Detailed specifications such as installation type and basin spacing, etc. are detailed on planning sheets for each specific project (to be requested from KWC Professional).

Optional accessories

Strainer waste G 1 1/4 B

ZANMW901 2000100854



KWC Washbasins for the op area



Type	Article Number
------	----------------

SATURN hygiene washbasin

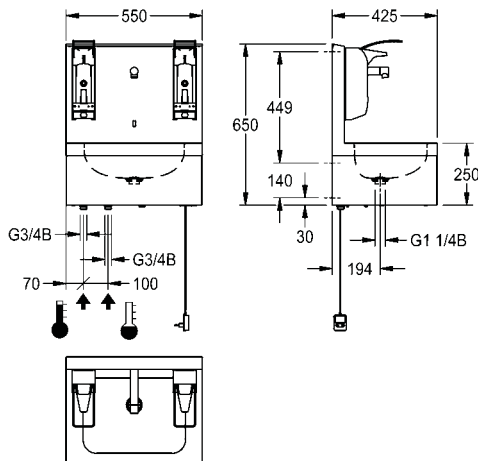
Hygiene washbasin for wall mounting, housing made of 304 chromium-nickel steel, satin finished surface, floor with inspection opening, seamless moulded bowl, without overflow, strainer waste G 1 1/4 B. With touch-free, opto-electronically controlled F5E washbasin tap and wall outlet, high-polished chrome-plated brass. With covered thermostat DN 15, for connection to hot and cold water. Installed arm lever dispenser on left and right, for filling on-site. Water and electronic connection from below, includes mounting materials, with 230 V AC plug-in power supply unit.

Dimensions 550 x 650 x 425 mm (W x H x D)

HWTE0001	2030062338
-----------------	------------

Optional accessories

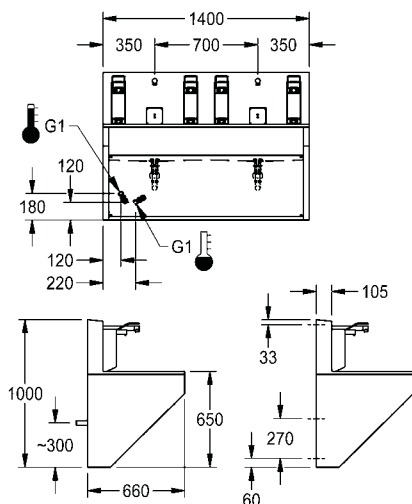
Bidirectional remote control	
ACEX9005	2030036654
2-button remote control	
ACEX9004	2030036849



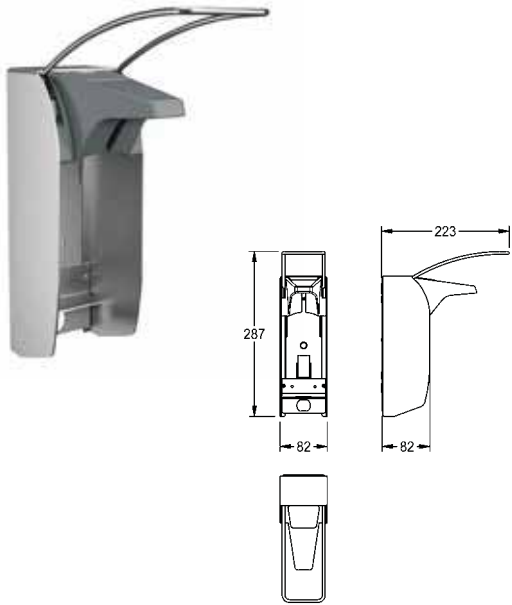
Surgical washing station

Surgical washing station for needs-based equipment in the hospital area. For 1 - 4 washbasins with a width of 700 mm each. Housing made of chrome-nickel steel, polished, with seamless molded basins according to the hygienic requirements in the operating area, with casing closed at the front incl. revision opening and seamlessly raised back cover. With taps, soap and disinfectant dispenser, optionally with arm lever or contactless, opto-electronically controlled, optionally with brush dispenser.

Detailed specification on request.



KWC MEDCARE dispensers



Type	Article Number
------	----------------

MEDCARE dispenser for liquid soaps and disinfectants

MEDCARE dispenser for liquid soaps and disinfectants for wall mounting, stainless steel housing (dishwasher safe up to 60 °C), satin finished surface, material thickness 1.25 mm, grey plastic outlet cover, for 500 ml standard Euro-bottles to be provided by the client, with stainless steel operating lever 223 mm, including wall bracket and mounting material.

Dimension 82 x 287 x 223 mm (W x H x D)

Disposable plastic pump must be ordered separately.

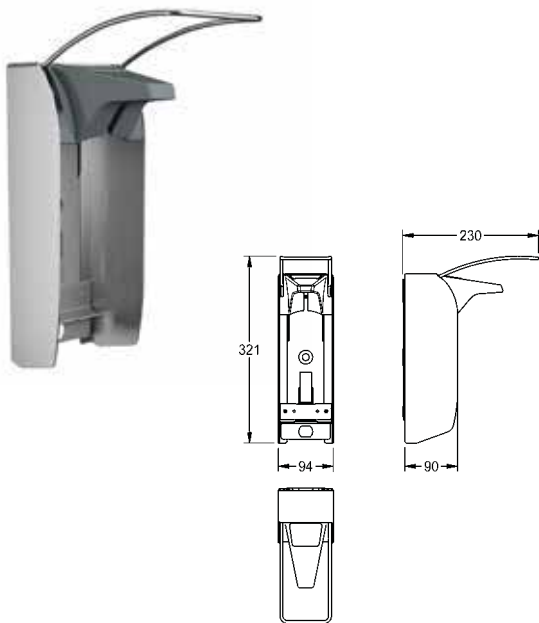
MEDC05L	3600003339
with stainless steel operating lever 169 mm	
MEDC05S	3600003340

Optional accessories

Drip tray for MEDCARE dispenser, 500 ml	
CMEDC05T	3600003362

Consumables

Disposable plastic pump for MEDCARE dispenser, 500 ml.	
Packaging unit 250 pieces.	
CMEDC05P	3600003360



MEDCARE dispenser for liquid soaps and disinfectants

MEDCARE dispenser for liquid soaps and disinfectants, for wall mounting, stainless steel housing (dishwasher safe up to 60 °C), satin finished surface, material thickness 1.25 mm, grey plastic outlet cover, for 1000 ml standard Euro-bottles to be provided by the client, with stainless steel operating lever 230 mm, including wall bracket and mounting material.

Dimensions 94 x 321 x 230 mm (W x H x D)

Disposable pump must be ordered separately.

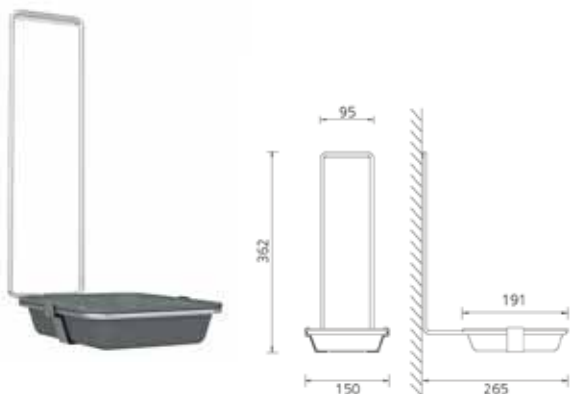
MEDC10L	3600003341
with stainless steel operating lever 170 mm	
MEDC10S	3600003343

Optional accessories

Drip tray for MEDCARE Spender, 1000 ml	
CMEDC10T	3600003363

Consumables

Disposable plastic pump for MEDCARE Spender, 1000 ml.	
Packaging unit 200 pieces.	
CMEDC10P	3600003361



Drip tray for MEDCARE dispenser

Drip tray with holder, to hang over the dispenser housing, removable square plastic tray in grey, for MEDCARE dispenser 500 ml.

Dimensions 150 x 362 x 265 mm (W x H x D)

CMEDC05T	3600003362
Drip tray for MEDCARE Spender, 1000 ml	
CMEDC10T	3600003363

KWC Removable wall outlets and baby bathtub

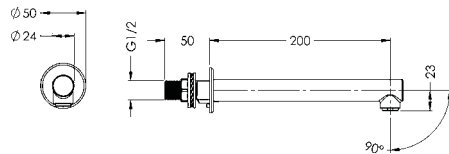
Type	Article Number
------	----------------



Wall outlet

Wall outlet, DN 15 for concealed mounting made of 316 stainless steel. Projection 200 mm and a jet angle of 90°. Equipped with a laminar flow regulator (5 l/min) and removable for disinfection purposes.

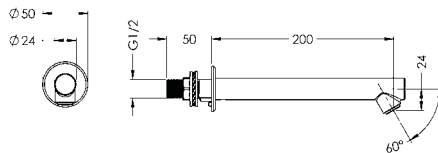
AT99-102	2030039046
-----------------	------------



Wall outlet

Wall outlet, DN 15 for concealed mounting made of 316 stainless steel. Projection 200 mm and a jet angle of 60°. Equipped with a laminar flow regulator (5 l/min) and removable for disinfection purposes.

AT99-103	2030039048
-----------------	------------

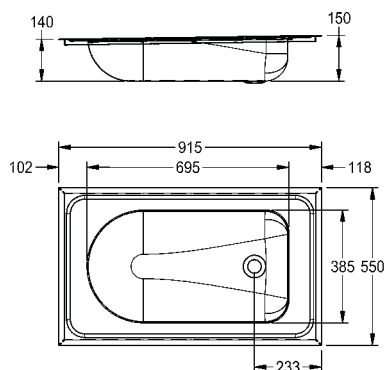


CAMPUS baby bathtub

Baby bath tube for inset mounting, stainless steel, surface satin finished, material thickness 1.2 mm, 10 mm incline on whole length towards waste, waste diameter outside 78 mm inside 50 mm, no overflow, no waste kit included.

Dimensions 915 x 150 x 550 mm (W x H x D)
Bowl dimension 695 x 150 x 385 mm (W x H x D)

CMPX403	2000090029
----------------	------------



KWC VARIUSmed multi-purpose basins

Type	Article Number
------	----------------

VARIUSmed utility sinks

VARIUSmed multi-purpose basin made of MIRANIT resin-bonded mineral material, with a non-porous smooth surface (temperature resistant up to 80°C) coated all around. Alpine white colour. With up to 2 seamlessly integrated bowls with large inner radii, without overflow. Variable bowl spacing. Splash-guard edge front and back. With tube overflow DN 40 x 200 mm. Including fastening material (screws, dowels, wall bracket, consoles).

Bowl dimensions 600 x 350 x 500 mm (W x H x D)

When using stainless steel consoles:

Dimensions 800 - 3200 x 375 x 600 mm (W x H x D)
Center-center spacing of the bowls min. 800 mm

When using MIRANIT consoles:

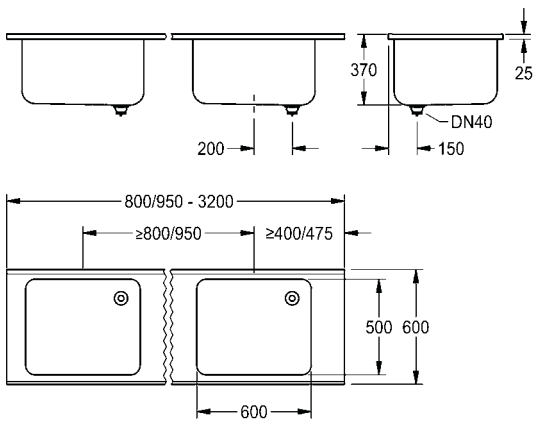
Dimensions 950 - 3200 x 375 x 600 mm (W x H x D)
Center-center spacing of the bowls min. 950 mm

Customized fit to building specifications

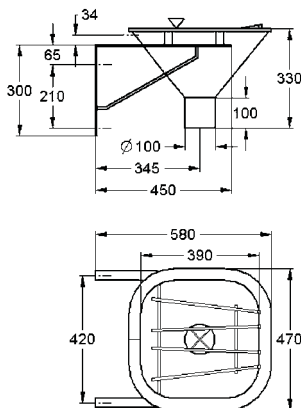
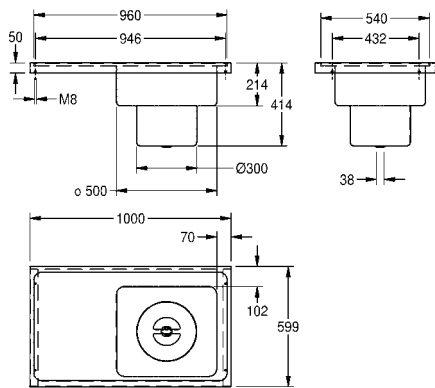
Detailed specifications such as installation type and basin spacing, etc. are detailed on planning sheets for each specific project (to be requested from KWC Professional).



Sanitary facilities for the healthcare sector



KWC SIRIUS plaster sink, cleaner sinks



Type	Article Number
------	----------------

SIRIUS plaster sink

Plaster sink for work top mounting, stainless steel, surface satin finished, material thickness 1.5 mm, seamless welded bowl with diameter 450 x 500 x 150 mm, bowl and drain board with revolving channel, 1 1/2" centric waste hole punch, removable plaster basket with cover.

Dimensions 1000 x 420 x 600 mm (W x H x D)
Drainboard left

SIRX835 2000071901

Drainboard right

SIRX836 2000071902

Optional accessories

Feet for plaster trap, stainless steel 2 pieces

SIRX838 2000103301

Brackets for plaster sink

SIRX837 2000103337

SIRIUS disposal sink

Disposal sink made of nickel-chromium steel 316Ti, surface satin finished, for wall mounting, concealed circular flushing rim, with rinsing tube connector for flush valve provided by customer, flush water volume 6 l. Vertical outlet DN 100, with removable strainer, hinged grating made of nickel-chromium steel for buckets, wall brackets and fixing material.

Dimensions 470 x 360 x 580 mm (B x H x D)

SIRX370 2000101175

Optional accessories

Trap, vertical outlet DN 100

ZCMPX002 2000102733

Trap, horizontal outlet DN 100

ZCMPX003 2000102734

KWC SIRIUS cleaner sinks

Type	Article Number
------	----------------



SIRIUS stand drain

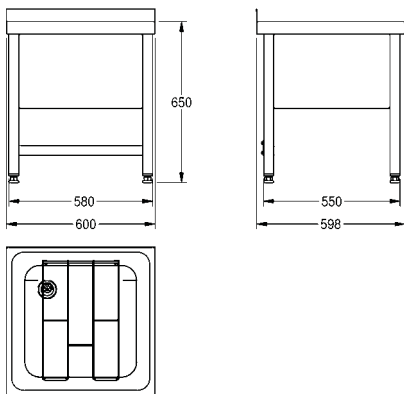
Floor standing cleaners sink, stainless steel, surface satin finished, material thickness 1 mm, seamless welded bowl with diameter 450 x 450 x 250 mm, bowl with revolving channel, without tap ledge and 50 mm rear upstand, 1 1/2" plug waste with stainless steel overflow tube, drainage back left, inclusive stainless steel folding grid with rubber bumps, underframe with 300 mm aprons, cross stud on backside for better stability, 650 mm working height, feet 40 x 40 mm and height adjustable to 25 mm.

Floor standing janitorial unit for screwing.
Dimensions 600 x 650 x 598 mm (W x H x D)

F832V	2000100061
--------------	------------

Stand drain with frame welded together	
--	--

F832V-F	2000057046
----------------	------------

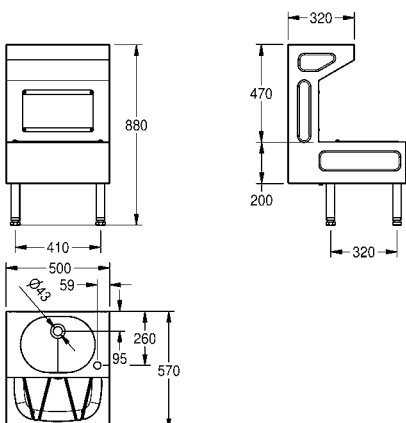


SIRIUS stand drain - washbasin combination

Cleaner sink wash basin combination, free standing or for wall mounting, stainless steel, surface satin finished, material thickness 1.2 mm, seamless welded bowl with diameter 360 x 272 x 135 mm, without overflow, 1 1/4" flat perforated waste, inclusive tap hole top right, sink with diameter 420 x 350 x 180 mm and revolving channel, 1 1/2" domed waste, drainage centric, inclusive stainless steel folding grid with rubber bumps, removable inspection cover, feet height adjustable.

Dimensions 500 x 880 x 570 mm (W x H x D)

SIRX832	2000071907
----------------	------------





Installation elements for washbasins

AQUAFIX: TÜV-tested installation elements for washbasins, barrierfree sanitary facilities or stainless steel washbasins offer optimum installation support.

KWC AQUAFIX installation elements for washbasins

Type	Article Number
------	----------------



AQUAFIX installation frame for stainless steel washbasins

AQUAFIX installation frame for stainless steel wash basins with pillar type fittings, self-supporting, powder coated steel-frame construction, TÜV-tested, for individual mounting for dry-wall lining, with water-resistant, multiply bonded laminated wood panel, height-adjustable fastening for objects as well as fitting connections and outlet mount, sound-insulated wall ducts G 1/2, universal outlet bend DN 50, building protection and fastening material.

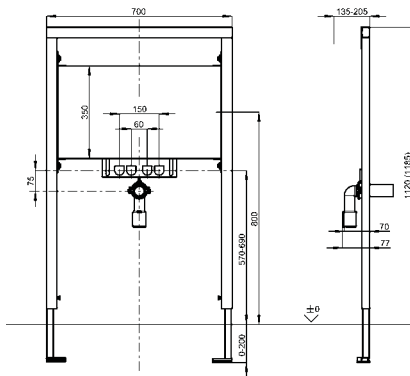
Dimensions 700 x 1120 mm (W x H)

CMPX150 2030020067

Optional accessories

AQUAFIX wall bracket set for pre-wall installation packaging unit: 2 items.

ZCMPX140 2000100867



AQUAFIX installation frame for wash basins

AQUAFIX installation frame for wash basins with pillar type fittings, self-supporting, powder coated steel-frame construction, TÜV tested, for individual mounting for dry-wall lining, height-adjustable fastening as well as fitting connections and outlet mount, sound-insulated wall ducts G 1/2, universal outlet bend DN 50, retaining bolts for washbasin, building protection and fastening material.

Dimensions 525 x 1120 mm (W x H)

CMPX152 2030019897

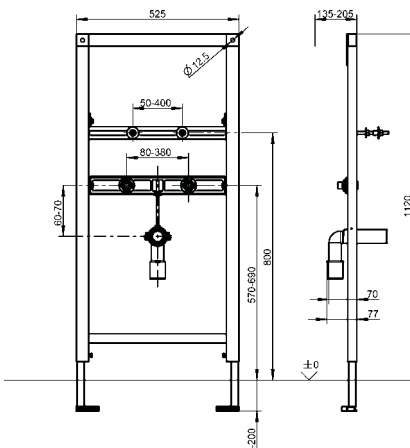
Optional accessories

AQUAFIX wall bracket set for pre-wall installation packaging unit: 2 items.

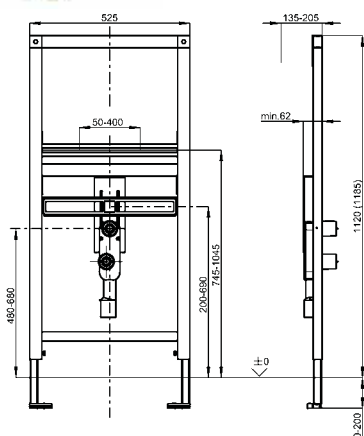
ZCMPX140 2000100867

AQUAFIX fastening module for installing on-wall wall fittings

ZCMPX152-1 2000100941



KWC AQUAFIX installation elements for washbasins



Type	Article Number
------	----------------

AQUAFIX installation frame for washbasins, suitable for disabled access

AQUAFIX installation frame for wash basins, suitable for disabled access, with stand fitting, self-supporting, powder coated steel-frame construction, TÜV tested, for individual mounting for dry-wall lining, height-adjustable fastening as well as fitting connections and outlet mount, sound-insulated wall ducts G 1/2, wall-concealed odour trap DN 50 / DN 40, retaining bolts for washbasin, building protection and fastening material.

Dimensions 525 x 1120 mm (W x H)

CMPX151	2030019961
----------------	------------

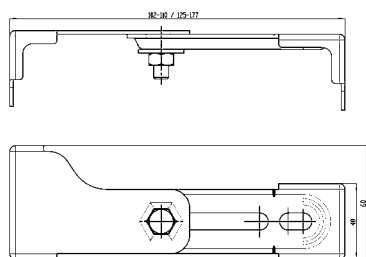
Optional accessories

AQUAFIX wall bracket set for pre-wall installation packaging unit: 2 items.

ZCMPX140	2000100867
-----------------	------------

AQUAFIX fastening module for installing on-wall wall fittings

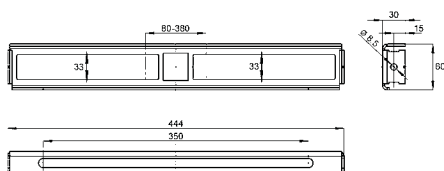
ZCMPX152-1	2000100941
-------------------	------------



AQUAFIX wall bracket

AQUAFIX wall brackets for pre-wall installation, for fastening AQUAFIX installation elements on masonry or in front of the single plank wall, continuously adjustable in depth, for individual mounting, galvanized steel, fixing material included, packing unit 2 pieces.

ZCMPX140	2000100867
-----------------	------------



AQUAFIX fastening module

AQUAFIX fastening module for installing on-wall wall fittings in conjunction with AQUAFIX installation element for washbasins, steel galvanized, without wall duct, inclusive mounting material.

Dimensions 444 x 72 x 30 mm (B x H x T)

ZCMPX152-1	2000100941
-------------------	------------

Installation elements for washbasins



Self-closing, electronic, single lever mixers

The state of the art tap technology supports the economical, hygienic and convenient equipment in professional shower facilities. In addition to the reliability and economic efficiency, the focus is on user convenience, safety while showering and hygiene.

A comprehensive range of shower controls for both wall mounting and recessed mounting is available, in addition to the various shower panel designs, shower trays and shower heads.

Shower taps

F5 self-closing mixers	140
F5 electronic mixers	146
F5 thermostatic single-lever mixer	150
F3 self-closing valves	154
F3 self-closing mixers	156
F3 electronic mixers	158
F5 shower panels made of stainless steel and MIRANIT	160
Free-standing shower	196
AQUAPAY coin-operated controllers	198
Shower heads	200
Shower heads and accessories for F5 shower panels	204
Accessories	206

KWC F5 self-closing mixers

Type **Article Number**



F5S-Mix self-closing wall-mounted mixer

F5S-Mix self-closing wall-mounted mixer DN 15 as single-mixer for wall mounting, for shower facilities. FRAMIC self-closing mixing cartridge, hydraulically controlled, low-maintenance and stagnation-free, with ceramic disc technology, self-closing, flow pressure-independent due to medium-separated design. Stepless adjustment of flow duration. With adjustable, turn-proof temperature stop. Connects to hot and cold water. Housing with outlet on top, G 3/4 B, for installation of bent outlet or surface-mounted shower pipe. All-metal construction, high-polished chromium-plated brass. With adjustable and turn-proof connections with backflow preventer and strainers, completely covered with depth-adjustable screw rosettes.



F5SM2001 2030032998
with automatic shower pipe draining

F5SM2002 2030036685

Optional accessories

Bent outlet 120 x 150 mm, maximum mounting dimension 130 x 134 mm

ACXX2005 2030050434

Bent outlet 120 x 500 mm, maximum mounting dimension 130 x 484 mm

ACXX2006 2030050435

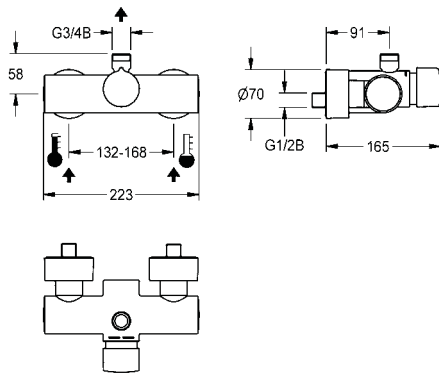
Shower pipe, length 1200 mm, crank 75 mm

ACSX2002 2030041522

Diverter for hand shower

ACXX2004 2030041561

Shower heads, see page 200 onwards



F5S-Mix self-closing wall-mounted mixer with hand shower connection

F5S-Mix self-closing wall-mounted mixer DN 15 as single-mixer for wall mounting, for shower facilities. FRAMIC self-closing mixing cartridge, hydraulically controlled, low-maintenance and stagnation-free, with ceramic disc technology, self-closing, flow pressure-independent due to medium-separated design. Stepless adjustment of flow duration. With adjustable, turn-proof temperature stop. Connects to hot and cold water. Housing with hand shower connection G 1/2 B. All-metal version, high-polished chromium-plated brass. With adjustable and turn-proof connections with backflow preventer and strainers, completely covered with depth-adjustable screw rosettes.



F5SM2003 2030036686

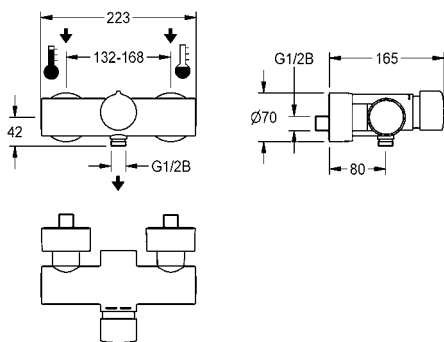
Optional accessories

Hand shower

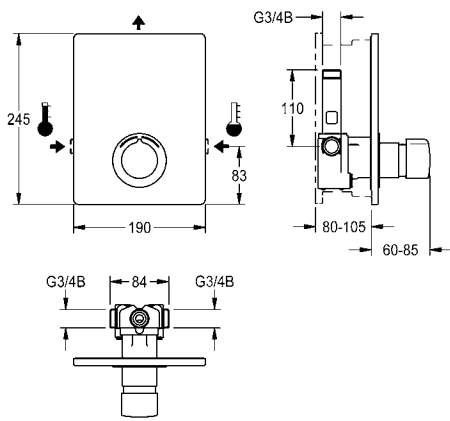
ACXX2007 2030051216

Shower bracket with shower holder

ACXX2008 2030051217



KWC F5 self-closing mixers



F5S-Mix self-closing in-wall mixer

F5S-Mix self-closing single-mixer DN 15 as finished installation kit for installation in basic installation kit, for shower facilities. FRAMIC self-closing mixing cartridge, hydraulically controlled, low-maintenance and stagnation-free, with ceramic disc technology, self-closing, flow pressure-independent due to medium-separated design. Stepless adjustment of flow duration. With adjustable, turn-proof temperature stop. Connects to hot and cold water. All-metal construction, visible parts high-polished, chromium-plated. Holding frame including profile seal, stainless steel cover plate 190 x 245 mm with covered screw fixing, chromium-plated plastic rosettes, backflow preventer and strainers. Depth adjustability 25 mm.

F5SM2004 2030029012

with automatic shower pipe draining

F5SM2005 2030036693

Mandatory accessories

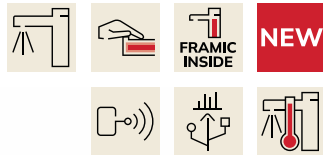
R5 System box for in-wall mixer

F5BX2001 2030028990

Optional accessories

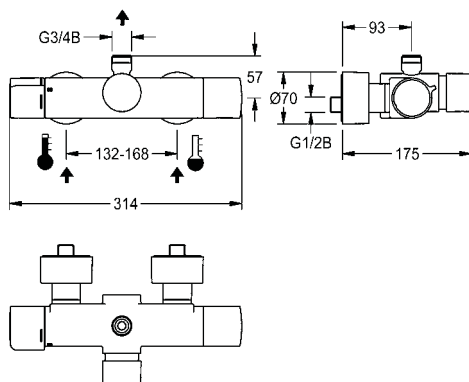
Extension set for 25 mm depth compensation

ACSM2001 2030044781



F5S-Therm self-closing thermostatic wall-mounted mixer with pre-fitted hygiene unit

F5S-Therm self-closing thermostatic mixer DN 15 for wall mounting, for shower facilities. Hydraulically controlled, connects to hot water and cold water. Pre-fitted hygiene unit with C-module including control electronics, 6 V lithium battery (CR-P2) and solenoid valve cartridge for automatic hygiene flushing and saving of statistical data. FRAMIC self-closing cartridge, hydraulically controlled, low maintenance and stagnation free, with ceramic disc technology, self closing, flow pressure independent due to medium-independent design. Fully adjustable flow duration. Thermostat with metal handle with adjustable and turn-proof temperature stop, with option for performance of manual thermal disinfection. Scald-protected, safe-touch housing with outlet on top, G 3/4 B, for installation of outlet bend or wall-mounted shower pipe. All-metal construction, polished chromium-plated brass. With adjustable and lockable connections with backflow preventers and strainers, fully covered by depth-adjustable screw rosettes. Activated hygiene flushing, fixed interval of 24 hours. With option for radio-controlled parameterisation, read-out of statistical data, realisation of predefined calendar functions as well as grouping of taps to perform predefined control functions via the necessary app.



F5ST2109 3600008422

Optional accessories

Bent outlet 120 x 150 mm, maximum mounting dimension 130 x 134 mm

ACXX2005 2030050434

Bent outlet 120 x 500 mm, maximum mounting dimension 130 x 484 mm

ACXX2006 2030050435

Shower pipe, length 1200 mm, crank 75 mm

ACSX2002 2030041522

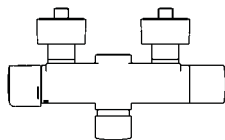
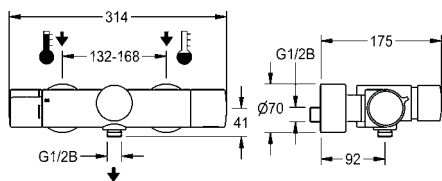
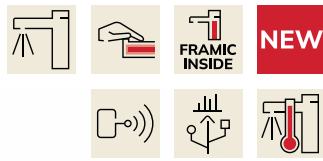
Diverter for hand shower

ACXX2004 2030041561

Shower heads, see page 200 onwards

KWC F5 self-closing mixers

Type Article Number



F5S-Therm self-closing thermostatic wall-mounted mixer with hand shower connection and pre-fitted hygiene unit

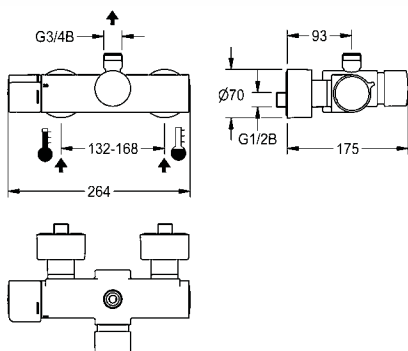
F5S-Therm self-closing thermostatic mixer DN 15 for wall mounting, for shower facilities. Hydraulically controlled, connects to hot water and cold water. Pre-fitted hygiene unit with C-module including control electronics, V lithium battery (CR-P2) and solenoid valve cartridge for automatic hygiene flushing and saving of statistical data. FRAMIC self-closing cartridge, hydraulically controlled, low maintenance and stagnation free, with ceramic disc technology, self closing, flow pressure independent due to medium-independent design. Fully adjustable flow duration. Thermostat with metal handle with adjustable and turn-proof temperature stop, with option for performance of manual thermal disinfection. Scald-protected, safe-touch housing with hand shower connection, G 1/2 B. All-metal construction, polished chromium-plated brass. With adjustable and lockable connections with backflow preventers and strainers, fully covered by depth-adjustable screw rosettes. Activated hygiene flushing, fixed interval of 24 hours. With option for radio-controlled parameterisation, read-out of statistical data, realisation of predefined calendar functions as well as grouping of taps to perform predefined control functions via the necessary app.

F5ST2111 3600008423

Optional accessories

Hand shower
ACXX2007 2030051216

Shower bracket with shower holder
ACXX2008 2030051217



F5S-Therm self-closing thermostat wall-mounted mixer

F5S-Therm self-closing thermostatic mixer DN 15 for wall mounting, for shower facilities. Hydraulically controlled, connects to hot water and cold water. With mechanism for optional hygiene unit with C-module for automatic hygiene flushing and readout of statistical data. FRAMIC self-closing cartridge, hydraulically controlled, low maintenance and stagnation free, with ceramic disc technology, self closing, flow pressure independent due to medium-independent design. Fully adjustable flow duration. Thermostat with metal handle with adjustable and turn-proof temperature stop, with option for performance of manual thermal disinfection. Scald-protected, safe-touch housing with outlet on top, G 3/4 B, for installation of outlet bend or wall-mounted shower pipe. All-metal construction, polished chromium-plated brass. With adjustable and lockable connections with backflow preventers and strainers, fully covered by depth-adjustable screw rosettes.

F5ST2101 3600008672

with automatic shower pipe draining

F5ST2102 3600008673

Optional accessories

Bent outlet 120 x 150 mm, maximum mounting dimension 130 x 134 mm

ACXX2005 2030050434

Bent outlet 120 x 500 mm, maximum mounting dimension 130 x 484 mm

ACXX2006 2030050435

Shower pipe, length 1200 mm, crank 75 mm

ACSX2002 2030041522

Diverter for hand shower

ACXX2004 2030041561

Hygiene unit for compatible KWC self-closing thermostatic wall-mounted mixers

ACST9002 3600008376

Shower heads, see page 200 onwards

KWC F5 self-closing mixers

Type Article Number



NEW

F5S-Therm self-closing thermostatic wall-mounted mixer with hand shower connection



COMPATIBLE

F5S-Therm self-closing thermostatic mixer DN 15 for wall mounting, for shower facilities. Hydraulically controlled, connects to hot water and cold water. With mechanism for optional hygiene unit with C-module for automatic hygiene flushing and readout of statistical data. FRAMIC self-closing cartridge, hydraulically controlled, low maintenance and stagnation free, with ceramic disc technology, self closing, flow pressure independent due to medium-independent design. Fully adjustable flow duration. Thermostat with metal handle with adjustable and turn-proof temperature stop, with option for performance of manual thermal disinfection. Scald-protected, safe-touch housing with hand shower connection, G 1/2 B. All-metal construction, polished chromium-plated brass. With adjustable and lockable connections with backflow preventers and strainers, fully covered by depth-adjustable screw rosettes.



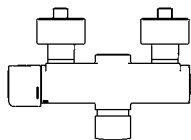
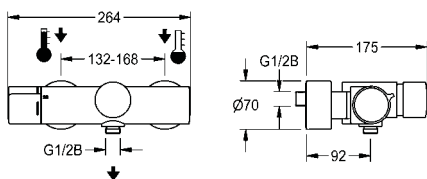
F5ST2103 3600008674

Optional accessories

Hand shower
ACXX2007 2030051216

Shower bracket with shower holder
ACXX2008 2030051217

Hygiene unit for compatible KWC self-closing thermostatic wall-mounted mixers
ACST9002 3600008376



NEW

Hygiene unit for compatible KWC self-closing thermostatic wall-mounted mixers

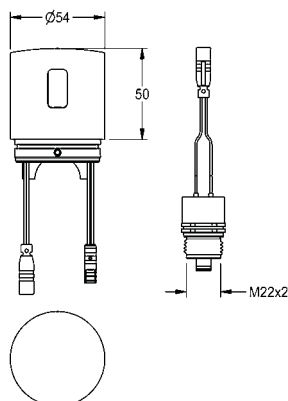


COMPATIBLE

Hygiene unit for compatible KWC self-closing thermostatic wall-mounted mixers for sanitary facilities and shower facilities, for carrying out automatic hygiene flushing and for saving statistical data. C-module including control electronics and 6 V lithium battery (CR-P2) as well as solenoid valve cartridge. Activated water hygiene flushing (30 seconds), fixed interval of 24 hours and saving of statistical data. With option for radio-controlled parameterisation, read-out of statistical data, realisation of predefined calendar functions as well as grouping of taps to perform predefined control functions via the necessary app. With polished chromium-plated brass housing adapter.



ACST9002 3600008376





F5S-Therm self-closing thermostatic in-wall mixer

F5S-Therm self-closing thermostatic mixer DN 15 as finished installation kit for wall mounting in mounting kit, for shower facilities. Hydraulically controlled, connects to hot water and cold water. Function block with integrated FRAMIC self-closing cartridge, thermostat and **pre-assembled hygiene unit** including sensor with control electronics and 6 V lithium battery (CR-P2) to perform automatic water hygiene flushing, program-controlled thermal disinfection (additional bypass solenoid-operated flush valve cartridge necessary) and storage of statistical data. Additional mechanism for second bypass solenoid valve cartridge for separate rinsing of the cold-water line and separate sampling of cold or hot water. FRAMIC self-closing cartridge, low maintenance and stagnation free, with ceramic disc technology, self closing, flow pressure independent due to medium-independent design. Continuously adjustable flow duration. Thermostat with metal handle with adjustable and turn-proof temperature stop and option for manual thermal disinfection. All-metal construction, visible parts high-polished, chrome-plated. Holding frame including profile seal, stainless steel cover 190 x 245 mm with covered screw fixing, chrome-plated plastic rosettes, non-return valve and strainers. Depth adjustability 25 mm.



F5ST2037

2030067164

Mandatory accessories

R5 System box for in-wall mixer

F5BX2001

2030028990

Optional accessories

Extension set for depth adjustment 25 mm

ACXT9001

2030067889

Bypass solenoid valve cartridge, 6 V DC

EAQFU0001

2030003033

Set for flushing the cold-water line

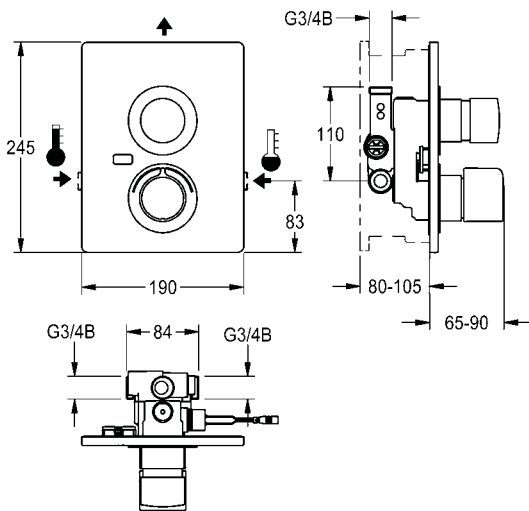
ACXT2005

2030071564

Bidirectional remote control, two-button remote control, see page 209

Note:

Thermal disinfection performed using key switch with separate power supply on request.





F5S-Therm self-closing thermostatic in-wall mixer

F5S-Therm self-closing thermostatic mixer DN 15 as finished installation kit for wall mounting in mounting kit, for shower facilities. Hydraulically controlled, connects to hot water and cold water. Function block with integrated FRAMIC self-closing cartridge, thermostat and mechanism for an optional water hygiene unit for automatic water hygiene flushing, program-controlled thermal disinfection (additional bypass solenoid-operated flush valve cartridge necessary) and storage of statistical data. Additional mechanism for second bypass solenoid valve cartridge for separate rinsing of the cold-water line and separate sampling of cold or hot water. FRAMIC self-closing cartridge, low maintenance and stagnation free, with ceramic disc technology, self closing, flow pressure independent due to medium-independent design. Continuously adjustable flow duration. Thermostat with metal handle with adjustable and turn-proof temperature stop and option for manual thermal disinfection. All-metal construction, visible parts high-polished, chrome-plated. Holding frame including profile seal, stainless steel cover 190 x 245 mm with covered screw fixing, chrome-plated plastic rosettes, non-return valve and strainers. Depth adjustability 25 mm.



F5ST2032	2030067154
-----------------	------------

With automatic shower pipe emptying

F5ST2036	2030067163
-----------------	------------

Version **without option for automatic water hygiene flushing or thermal disinfection**

F5ST2034	2030067158
-----------------	------------

with automatic shower pipe draining

F5ST2039	2030067167
-----------------	------------

Mandatory accessories

R5 System box for in-wall mixer

F5BX2001	2030028990
-----------------	------------

Optional accessories

Extension set for depth adjustment 25 mm

ACXT9001	2030067889
-----------------	------------

Hygiene unit for F5S-Therm

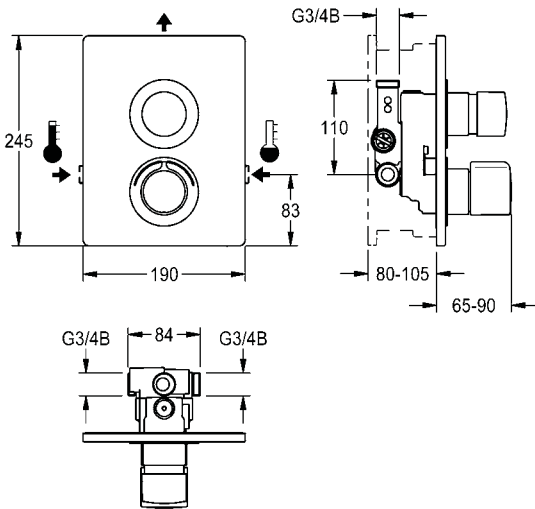
ACST2001	2030041523
-----------------	------------

Set for flushing the cold-water line

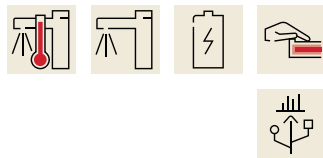
ACXT2005	2030071564
-----------------	------------

Note for F5ST2032 and F5ST2036:

Thermal disinfection performed using key switch with separate power supply on request.



Type	Article Number
------	----------------



F5E-Therm electronic thermostatic wall-mounted mixer with battery operation

F5E-Therm thermostatic mixer DN 15 for wall mounting, for shower facilities. Electronically controlled, for connection to hot water and cold water. Thermostat with metal handle and adjustable, turn-proof temperature stop. With option for thermal disinfection, manually or automatically via optional disinfection unit. Control electronics, solenoid valve cartridge, 6 V lithium battery (CR-P2) and touch sensor in scald-protected safe-touch housing with outlet on top, G 3/4 B, for installation of bent outlet or surface-mounted shower pipe. All-metal construction, high-polished chromium-plated brass. With adjustable and lockable connections with backflow preventer and strainers, completely covered with depth-adjustable screw rosettes. Activated water hygiene flushing 24 hours after last activation and saving of statistical data. With option for parameterization and communication via optional, bidirectional remote control.



F5ET2001	2030032990
Version with pre-assembled thermal disinfection unit	
F5ET2007	2030039547

Optional accessories

Bent outlet 120 x 150 mm, maximum mounting dimension 130 x 134 mm

ACXX2005	2030050434
-----------------	------------

Bent outlet 120 x 500 mm, maximum mounting dimension 130 x 484 mm

ACXX2006	2030050435
-----------------	------------

Shower pipe, length 1200 mm, crank 96 mm

ACXX2003	2030041525
-----------------	------------

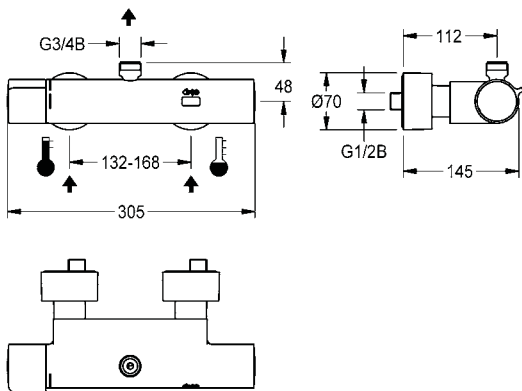
Diverter for hand shower

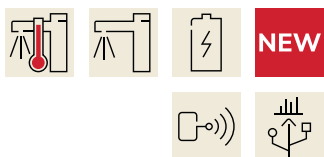
ACXX2004	2030041561
-----------------	------------

Thermal disinfection unit

ACET9001	2030039541
-----------------	------------

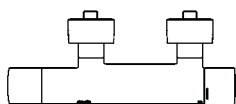
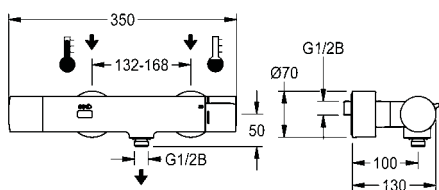
Shower heads, bidirectional remote control, two-button remote control, see page 200 onwards





F5E-Therm electronic thermostatic wall-mounted mixer with battery operation and pre-fitted C-module unit

F5E-Therm thermostatic mixer DN 15 for wall mounting, for shower facilities. Electrically controlled, connects to hot water and cold water. Pre-fitted C-module unit for radio-controlled parameterisation, read-out of statistical data, realisation of predefined calendar functions as well as grouping of taps to perform predefined control functions via the necessary app. Thermostat with metal handle and adjustable, turn-proof temperature stop. With the option of manual thermal disinfection. Control electronics, solenoid valve cartridge, 6 V lithium battery (CR-P2) and touch sensor in all-metal housing with hand shower connection, G 1/2 B, polished chromium-plated brass. With adjustable and lockable connections with backflow preventers and strainers, fully covered by depth-adjustable screw rosettes. Activated water hygiene flushing 24 hours after last activation, safety switch-off for continuous reflexion and saving of statistical data.

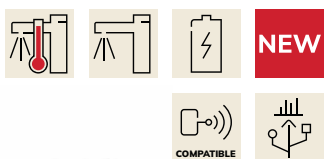


F5ET2108 3600008373

Optional accessories

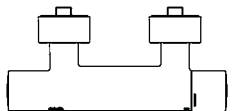
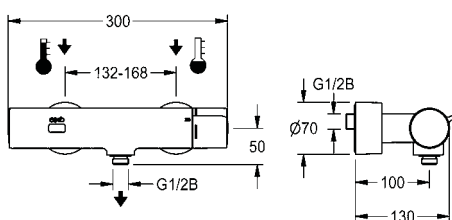
Hand shower
ACXX2007 2030051216

Shower bracket with shower holder
ACXX2008 2030051217



F5E-Therm electronic thermostatic wall-mounted mixer with battery operation

F5E-Therm thermostatic mixer DN 15 for wall mounting, for shower facilities. Electrically controlled, connects to hot water and cold water. Thermostat with metal handle and adjustable, turn-proof temperature stop. With the option of manual thermal disinfection. Control electronics, solenoid valve cartridge, 6 V lithium battery (CR-P2) and touch sensor in all-metal housing with hand shower connection, G 1/2 B, polished chromium-plated brass. With adjustable and lockable connections with backflow preventers and strainers, fully covered by depth-adjustable screw rosettes. Activated water hygiene flushing 24 hours after last activation, safety switch-off for continuous reflexion and saving of statistical data. With facility for parameterisation and communication via optional bidirectional remote control or C-module unit with the necessary app.



F5ET2103 3600004013

Optional accessories

Hand shower
ACXX2007 2030051216

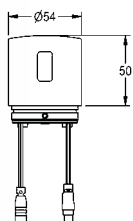
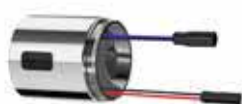
Shower bracket with shower holder
ACXX2008 2030051217

C-module unit for compatible KWC electronic wall-mounted mixers
ACET9003 3600008377



C-module unit for compatible KWC electronic wall-mounted mixers

C-module unit for compatible KWC electronic wall-mounted mixers for sanitary facilities and shower facilities. For radio-controlled parameterisation, read-out of statistical data, realisation of predefined calendar functions as well as grouping of taps to perform predefined control functions via the necessary app. With polished chromium-plated brass housing adapter.



ACET9003 3600008377

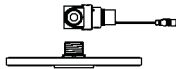
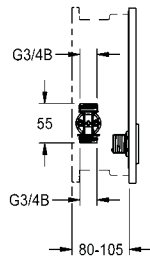
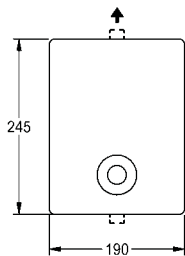
Type	Article Number
------	----------------



F5E electronic in-wall tap

F5E gate valve DN 15 as finished installation kit for in-wall installation in basic installation kit, for shower facilities. Electronically controlled, for connection to pre-mixed hot water or cold water. With solenoid valve, holding frame with profile seal, stainless steel cover plate 190 x 245 mm with covered screw fixing including sensor with control electronics, start/stop function and cleaning deactivation. Depth adjustable by 25 mm. Activated hygiene flushing 24 hours after last activation and saving of statistical data. With option for parametrisation and communication via optional bidirectional remote control. Option for battery operation with 6 V lithium battery (CR-P2) per fitting or separate power supply via power supply unit 6.75 V/12 V DC or AQUA 3000 open system accessories.

Battery compartment including battery or power supply unit with extension cable must be ordered separately.



F5EV2005	2030067748
-----------------	------------

Mandatory accessories (power supply optionally)

R5 System box for in-wall valves

F5BV2002	2030055925
-----------------	------------

Battery compartment including 6 V battery

ACEX9023	3600002063
-----------------	------------

Power supply unit

ACEX9001	2030039477
-----------------	------------

Extension cable 5 m (per tap)

ACEX9010	2030043814
-----------------	------------

Optional accessories

Electronic module EM5 with ID 07120

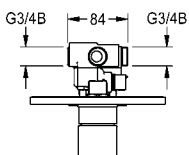
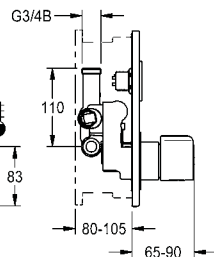
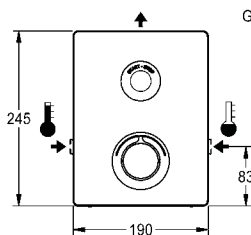
ACEV2004	2030049353
-----------------	------------

Bidirectional remote control, two-button remote control, see page 209
AQUA 3000 open system accessories, see "AQUA 3000 open" section.



F5E-Therm - A3000 open electronic thermostatic in-wall mixer

F5E-Therm - A3000 open thermostatic mixer DN 15 as finished installation kit for in-wall installation in basic installation kit, for shower facilities. Electrically controlled, connects to hot water and cold water. Function block with integrated solenoid valve cartridge, thermostat and two bypass solenoid valve cartridges for separate rinsing of the cold-water line and implementation of program-controlled thermal disinfection as well as for separate sampling of cold or hot water. Thermostat with metal handle with adjustable and turn-proof temperature stop and option for manual thermal disinfection. All-metal construction, visible parts high-polished, chrome-plated. With holding frame with profile seal, 190 x 245 mm stainless steel cover plate with covered screw fixing including touch sensor with control electronics, start/stop function, rosette, watertight electronic module and electric T-junction for connection to system cables, backflow preventers and strainers. Depth adjustability 25 mm. Activated hygiene flushing 24 hours after the last activity. External control unit, like valve setting, cleaning deactivation, storage of statistical data and communication via ECC2 function controller, 24 V DC.



F5ET2040	2030071563
-----------------	------------

Mandatory accessories

R5 System box for in-wall mixer

F5BX2001	2030028990
-----------------	------------

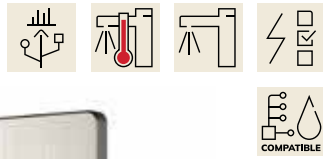
Optional accessories

Extension set for depth adjustment 25 mm

ACXT9001	2030067889
-----------------	------------

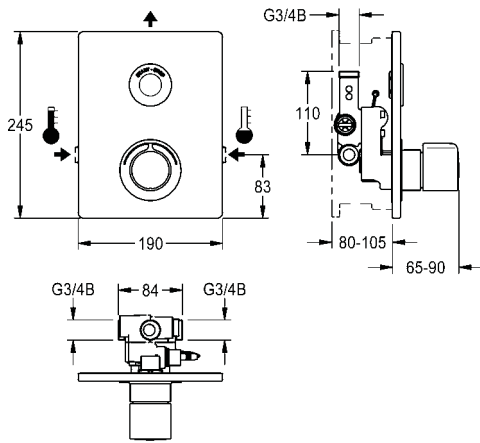
KWC F5 electronic mixers

Type Article Number



F5E-Therm electronic thermostatic in-wall mixer

F5E-Therm thermostatic mixer DN 15 as finished installation kit for wall mounting in mounting material, for shower facilities. Electrically controlled, connects to hot water and cold water. Function block with integrated solenoid valve cartridge, thermostat and mechanism for two optional bypass solenoid valve cartridges for separate rinsing of the cold-water line and implementation of program-controlled thermal disinfection as well as for separate sampling of cold or hot water. Thermostat with metal handle with adjustable and turn-proof temperature stop and option for manual thermal disinfection. All-metal construction, visible parts high-polished, chrome-plated. With holding frame and profile seal, stainless-steel cover plate 190 x 245 mm with covered screw fixing including sensor with control electronics, rosette, backflow preventers and strainers. Depth adjustability 25 mm. Activated hygiene flushing 24 hours after last activation and storage of statistical data. With option for parameterization and communication via optional, bidirectional remote control. Optionally for battery operation with 6 V lithium battery (CR-P2) per fitting or separate power supply via power supply unit 6.75 V/12 V DC or AQUA 3000 open system accessories. Battery compartment including battery or power supply unit with extension cable must be ordered separately.



F5ET2031 2030067151

Mandatory accessories (power supply optionally)

R5 System box for in-wall mixer

F5BX2001 2030028990

Battery compartment including 6 V battery

ACEX9023 3600002063

Power supply unit

ACEX9001 2030039477

Extension cable 5 m (per tap)

ACEX9010 2030043814

Optional accessories

Extension set for depth adjustment 25 mm

ACXT9001 2030067889

Bypass solenoid valve cartridge, 6 V DC

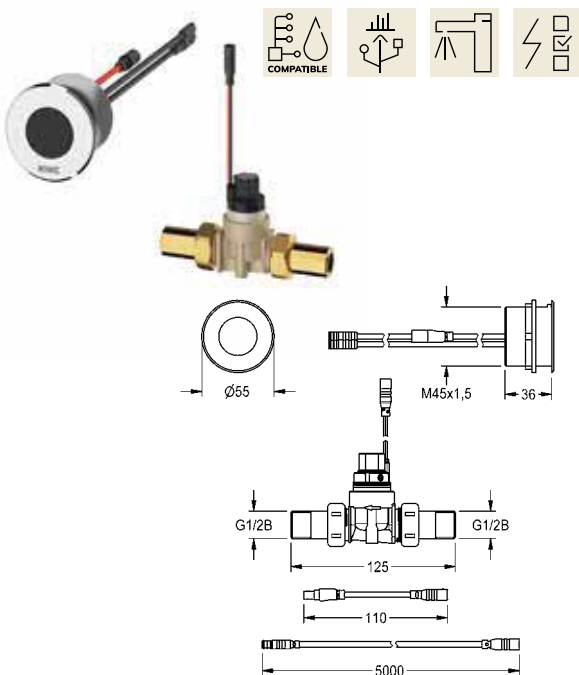
EAQFU0001 2030003033

Electronic module EM5 with ID 07040

ACET2001 2030041918

Set for flushing the cold-water line

ACXT2005 2030071564



F5E shower fitting for concealed mounting

F5E shower fitting DN 15 for concealed mounting. Opto-electronic control, activation on hand reflection. For connection to pre-mixed hot water or cold water. With round sensor (diameter 55 mm), with integrated control electronics and deactivation of cleaning, high-polished chrome-plated brass, to be screwed in from rear, with anti-twist protection, solenoid valve with screw fixings G 1/2 B, extension cable for solenoid valve, length 5 m. Activated water hygiene flushing 24 hours after last activation and saving of statistical data. With the option for parameterization and communication via optional, bidirectional remote control. Optional battery operation with 6 V lithium battery (CR-P2) per fitting or separate power supply via power supply unit 6.75 V/12 V DC or AQUA 3000 open system accessories. Battery compartment including battery or power supply unit with extension cable must be ordered separately.

F5EV2002 2030062328

Mandatory accessories (optionally)

Battery compartment including 6 V battery

ACEX9023 3600002063

Power supply unit

ACEX9001 2030039477

Extension cable 5 m (per tap)

ACEX9010 2030043814

Optional accessories

Electronic module EM5 with ID 07120

ACEV2004 2030049353

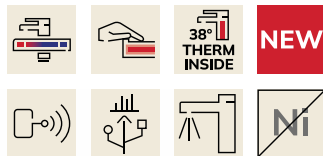
Stainless steel cover, round, diameter 136 mm, for sensor support

ZAQUA084 2000101054

For F5ET2031 and F5EV2002:
Bidirectional remote control, two-button remote control, see page 209
AQUA 3000 open system accessories, see "AQUA 3000 open" section.

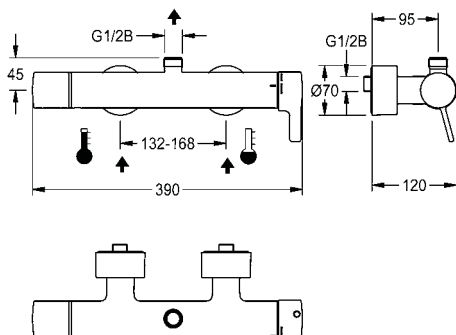
KWC F5 thermostatic single-lever mixer

Type Article Number



F5L-Therm thermostatic single-lever wall-mounted mixer with pre-fitted hygiene unit

F5L-Therm thermostatic single-lever mixer DN 15 as wall-mounted mixer for wall mounting, for shower facilities. Thermostatically controlled mixer cartridge with expansion element and active scald protection as well as adjustable and turn-proof temperature stop and ceramic disc technology. Pre-fitted hygiene unit with C-module including control electronics, 6 V lithium battery (CR-P2) and solenoid valve cartridge for automatic hygiene flushing and saving of statistical data. For connection to hot and cold water. Scald-protected, safe-touch housing with outlet on top, G 3/4 B, for installation of outlet bend or wall-mounted shower pipe. All-metal construction, polished chromium-plated brass. Volume-reduced, smooth water lines made of brass without nickel coating, decoupled from the tap housing. With thermal insulation components to reduce heat transfer from the tap housing to the cold-water line. With adjustable and lockable connections with backflow preventers and strainers, fully covered by depth-adjustable screw rosettes. Activated hygiene flushing, fixed interval of 24 hours. With option for radio-controlled parameterisation, read-out of statistical data, realisation of predefined calendar functions as well as grouping of taps to perform predefined control functions via the necessary app.



F5LT2104 3600003857

Optional accessories

Bent outlet 120 x 150 mm, maximum mounting dimension 130 x 134 mm

ACXX2005 2030050434

Bent outlet 120 x 500 mm, maximum mounting dimension 130 x 484 mm

ACXX2006 2030050435

Shower pipe, length 1200 mm, crank 75 mm

ACSX2002 2030041522

Diverter for hand shower

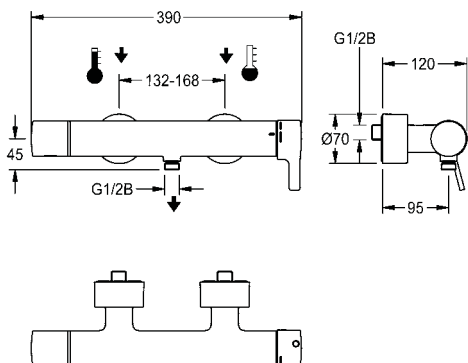
ACXX2004 2030041561

Shower heads, see page 200 onwards



F5L-Therm thermostatic single-lever wall-mounted mixer with hand shower connection and pre-fitted hygiene unit

F5L-Therm thermostatic single-lever mixer DN 15 as wall-mounted mixer for wall mounting, for shower facilities. Thermostatically controlled mixer cartridge with expansion element and active scald protection as well as adjustable and turn-proof temperature stop and ceramic disc technology. Pre-fitted hygiene unit with C-module including control electronics, 6 V lithium battery (CR-P2) and solenoid valve cartridge for automatic hygiene flushing and saving of statistical data. For connection to hot and cold water. Scald-protected, safe-touch housing with hand shower connection, G 1/2 B. All-metal construction, polished chromium-plated brass. Volume-reduced, smooth water lines made of brass without nickel coating, decoupled from the tap housing. With thermal insulation components to reduce heat transfer from the tap housing to the cold-water line. With adjustable and lockable connections with backflow preventers and strainers, fully covered by depth-adjustable screw rosettes. Activated hygiene flushing, fixed interval of 24 hours. With option for radio-controlled parameterisation, read-out of statistical data, realisation of predefined calendar functions as well as grouping of taps to perform predefined control functions via the necessary app.



F5LT2112 3600003858

Optional accessories

Hand shower

ACXX2007 2030051216

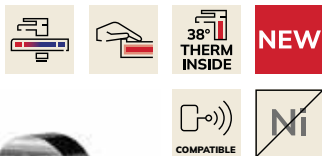
Shower bracket with shower holder

ACXX2008 2030051217

KWC F5 thermostatic single-lever mixer

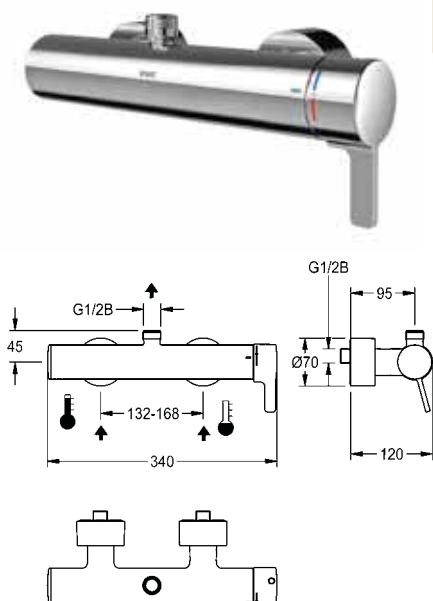
Type

Article Number



F5L-Therm thermostatic single-lever wall-mounted mixer

F5L-Therm thermostatic single-lever mixer DN 15 as wall-mounted mixer for wall mounting, for shower facilities. Thermostatically controlled mixer cartridge with expansion element and active scald protection as well as adjustable and turn-proof temperature stop and ceramic disc technology. With mechanism for optional water hygiene unit with C-module for automatic hygiene flushing and readout of statistical data. For connection to hot and cold water. Scald-protected, safe-touch housing with outlet on top, G 3/4 B, for installation of outlet bend or wall-mounted shower pipe. All-metal construction, polished chromium-plated brass. Volume-reduced, smooth water lines made of brass without nickel coating, decoupled from the tap housing. With thermal insulation components to reduce heat transfer from the tap housing to the cold-water line. With adjustable and lockable connections with backflow preventers and strainers, fully covered by depth-adjustable screw rosettes.



F5LT2101 3600003859

Optional accessories

Bent outlet 120 x 150 mm, maximum mounting dimension 130 x 134 mm

ACXX2005 2030050434

Bent outlet 120 x 500 mm, maximum mounting dimension 130 x 484 mm

ACXX2006 2030050435

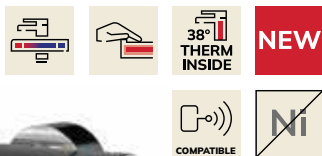
Shower pipe, length 1200 mm, crank 75 mm

ACSX2002 2030041522

Hygiene unit for compatible KWC thermostatic single-lever wall-mounted mixers

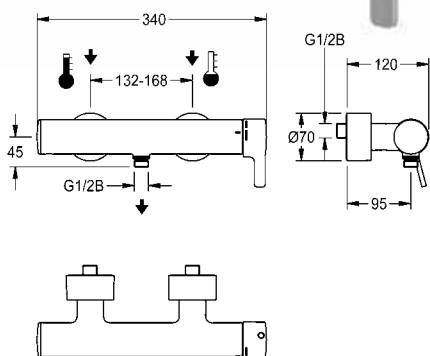
ACL9001 3600003861

Shower heads, see page 200 onwards



F5L-Therm thermostatic single-lever wall-mounted mixer with hand shower connection

F5L-Therm thermostatic single-lever mixer DN 15 as wall-mounted mixer for wall mounting, for shower facilities. Thermostatically controlled mixer cartridge with expansion element and active scald protection as well as adjustable and turn-proof temperature stop and ceramic disc technology. With mechanism for optional water hygiene unit with C-module for automatic hygiene flushing and readout of statistical data. For connection to hot and cold water. Scald-protected, safe-touch housing with hand shower connection, G 1/2 B. All-metal construction, polished chromium-plated brass. Volume-reduced, smooth water lines made of brass without nickel coating, decoupled from the tap housing. With thermal insulation components to reduce heat transfer from the tap housing to the cold-water line. With adjustable and lockable connections with backflow preventers and strainers, fully covered by depth-adjustable screw rosettes.



F5LT2103 3600003860

Optional accessories

Hand shower

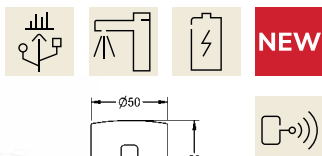
ACXX2007 2030051216

Shower bracket with shower holder

ACXX2008 2030051217

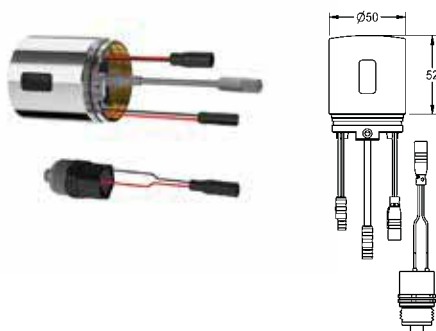
Hygiene unit for compatible KWC thermostatic single-lever wall-mounted mixers

ACL9001 3600003861



Hygiene unit for compatible KWC thermostatic single-lever wall-mounted mixers

Hygiene unit for compatible KWC thermostatic single-lever wall-mounted mixers for sanitary facilities and shower facilities, for automatic hygiene flushing and saving statistical data. C-module including control electronics and 6 V lithium battery (CR-P2) as well as solenoid valve cartridge. Activated water hygiene flushing (30 seconds), fixed interval of 24 hours and saving of statistical data. With option for radio-controlled parameterisation, read-out of statistical data, realisation of predefined calendar functions as well as grouping of taps to perform predefined control functions via the necessary app. With polished chromium-plated brass housing adapter.



ACL9001 3600003861

KWC F5 thermostatic single-lever mixer

Type

Article Number



F5L-Therm thermostatic single-lever in-wall mixer

F5L-Therm thermostatic single-lever mixer DN 15 as finished installation kit for in-wall installation in basic installation kit, for shower facilities. For connection to hot and cold water. Function block with integrated thermostatic cartridge and **pre-assembled hygiene unit** including sensor and 6 V lithium battery (CR P2) for automatic hygiene flushing and program-controlled thermal disinfection (additional bypass solenoid valve cartridge necessary) and storage of statistical data. Thermostatically-controlled mixer cartridge with expansion element and active scald protection as well as adjustable and turn-proof temperature stop, and ceramic disc technology. All-metal construction, visible parts high-polished, chrome-plated. Holding frame including profile seal, stainless-steel cover plate 190 x 245 mm with covered screw fixing, chrome-plated plastic rosette, backflow preventer and strainers. Depth adjustability 25 mm. Activated water hygiene flushing, fixed interval of 24 hours. With option for parameterization and communication via optional, bidirectional remote control.



F5LT2007 2030066501

Mandatory accessories

R5 System box for in-wall mixer

F5BX2001 2030028990

Optional accessories

Extension set for depth compensation up to 25 mm

ACLM2002 2030044779

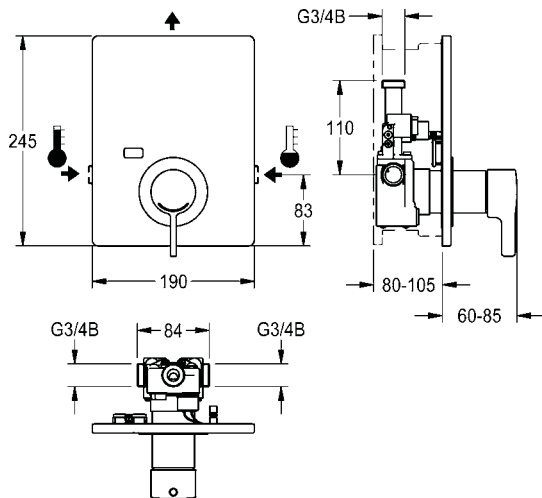
Bypass solenoid valve cartridge, 6 V DC

EAQFU0001 2030003033

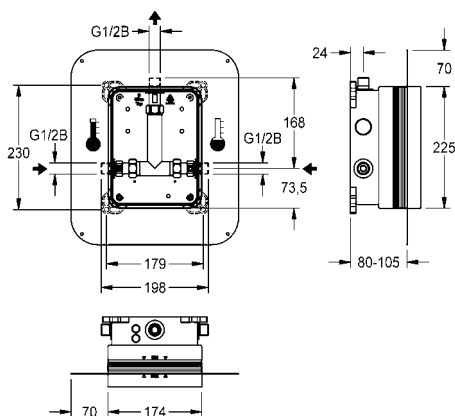
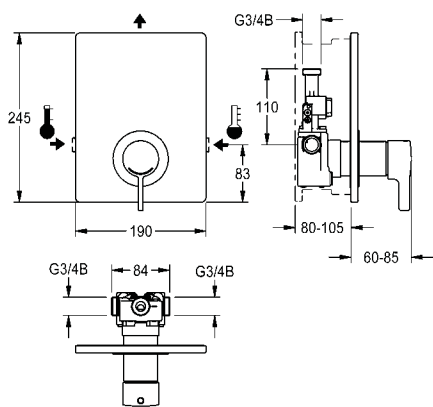
Bidirectional remote control, two-button remote control, see page 209

Note:

Thermal disinfection performed using key switch with separate power supply on request.



KWC F5 thermostatic single-lever mixer



Type	Article Number
------	----------------



F5L-Therm thermostatic single-lever in-wall mixer

F5L-Therm thermostatic single-lever mixer DN 15 as finished installation kit for in-wall installation in basic installation kit, for shower facilities. For connection to hot and cold water. Function block with integrated thermostatic cartridge and mechanism for an optional hygiene unit for automatic hygiene flushing, program-controlled thermal disinfection (additional bypass solenoid valve cartridge necessary) and storage of statistical data. Thermostatically-controlled mixer cartridge with expansion element and active scald protection as well as adjustable and turn-proof temperature stop, and ceramic disc technology. All-metal construction, visible parts high-polished, chrome-plated. Holding frame including profile seal, stainless-steel cover plate 190 x 245 mm with covered screw fixing, chrome-plated plastic rosette, backflow preventer and strainers. Depth adjustability 25 mm.

F5LT2005	2030066500
-----------------	------------

Mandatory accessories

R5 System box for in-wall mixer

F5BX2001	2030028990
-----------------	------------

Optional accessories

Extension set for depth compensation up to 25 mm

ACLM2002	2030044779
-----------------	------------

Hygiene unit including 6 V lithium battery

ACLM2001	2030041526
-----------------	------------

Note:

Thermal disinfection performed using key switch with separate power supply on request.



R5 system box for in-wall mixer

R5 basic installation kit with sliding adhesive flange for in-wall mounting of finished installation kits DN 15 with mixing unit, for shower facilities. For connection to hot and cold water. KWC system box made of plastic, 174 x 225 mm, with lockable connection screws, shell protection, flush connector for flushing and leak test. Continuously-adjustable sliding adhesive flange with form-closed, flexible, 70 mm wide sealing collar. Sealing collar made of water-tight, permanently-elastic, alkali-resistant, and crack-bridging thermoplastic elastomer with polypropylene fleece for connecting to compound seals in dry and wet construction.

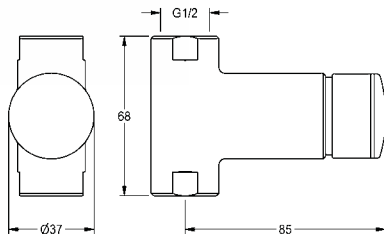
F5BX2001	2030028990
-----------------	------------

Optional accessories

Mounting traverse, depth adjustable, for installing KWC fittings with flush-mounting cabinets in drywall, packaging unit: 2 pieces

ZCMPX006	2000106019
-----------------	------------

KWC F3 self-closing valves



Type

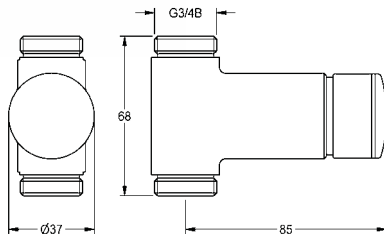
Article Number

F3S self-closing straight-way valve

F3S self-closing straight-way valve DN 15 for surface mounting for shower facilities. Self-closing functional part, hydraulically controlled, piston-free design, self-closing, stepless adjustment of flow duration. For connection to pre-mixed hot water or cold water. Casing including changeable valve seat, with internal thread G 1/2, high-polished chromium-plated brass.

F3SV2004

2030037525



F3S self-closing straight-way valve

F3S self-closing straight-way valve DN 15 for surface mounting for shower facilities. Self-closing functional part, hydraulically controlled, piston-free design, self-closing, stepless adjustment of flow duration. For connection to pre-mixed hot water or cold water. Housing including changeable valve seat, with external thread G 3/4 B, high-polished chromium-plated brass.

F3SV2002

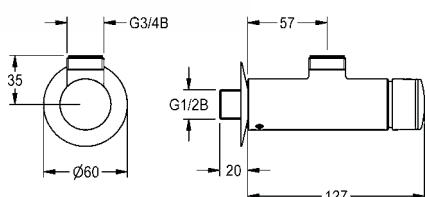
2030034415

Optional accessories

Screw connection

ACSV2001

2000105938



F3S self-closing bib tap

F3S self-closing bib tap DN 15 as wall fitting for wall mounting for shower facilities. Self-closing functional part, hydraulically controlled, piston-free design, self-closing, stepless adjustment of flow duration. For connection to pre-mixed hot water or cold water. Housing including changeable valve seat, with outlet on top, G 3/4 B, for installation of bent outlet or surface-mounted shower pipe, high-polished chromium-plated brass.

F3SV2001

2030034414

Optional accessories

Bent outlet 120 x 150 mm, maximum mounting dimension 130 x 134 mm

ACXX2005

2030050434

Bent outlet 120 x 500 mm, maximum mounting dimension 130 x 484 mm

ACXX2006

2030050435

Shower pipe, length 1200 mm, crank 39 mm

ACSX2001

2030039555

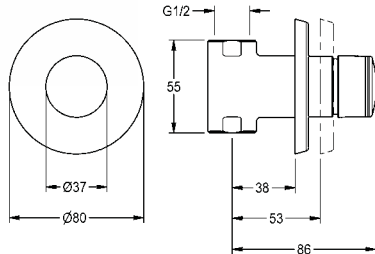
Diverter for hand shower

ACXX2004

2030041561

Shower heads, see page 200 onwards

KWC F3 self-closing valves



Type	Article Number
------	----------------

F3S self-closing straight-way valve

F3S self-closing straight-way valve DN 15 for in-wall mounting with noise-reducing styrene cladding, for shower facilities. Self-closing functional part, hydraulically controlled, piston-free design, self-closing, stepless adjustment of flow duration. For connection to pre-mixed hot water or cold water. Casing including changeable valve seat, with internal thread G 1/2, visible parts high-polished, chromium-plated brass. With rosette, depth adjustability 15 mm.

F3SV2003	2030034416
-----------------	------------

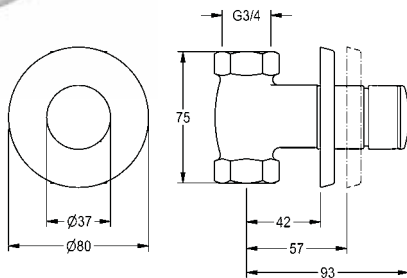
Optional accessories

Extension set for depth compensation until 33 mm

AQRM900	2000101451
----------------	------------

Installation wrench required for installation of the extension set

AQRM967	2000101454
----------------	------------



F3S Self-closing straight-way valve DN 20

F3S Self-closing straight-way valve DN 20 for in-wall mounting, for shower facilities. Self-closing functional part, hydraulically controlled, piston-free design, automatic closing, adjustable flow duration. For connection to pre-mixed hot water or cold water. Housing including replaceable valve seat, with interior thread G 3/4, visible parts made of high-polished chrome-plated brass. With rosette, depth adjustability 15 mm.

F3SV2009	2030053188
-----------------	------------

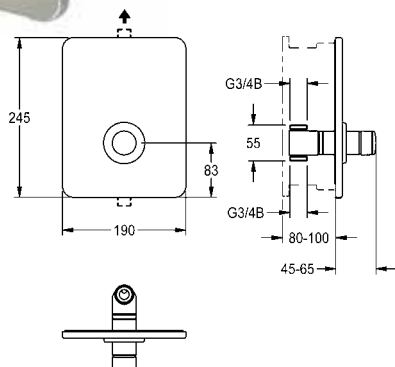
Optional accessories

Extension set for depth compensation until 33 mm

ACSV2002	2030060823
-----------------	------------

Installation wrench DN 20 required for installation of the extension set

AQRM927	2000105638
----------------	------------



F3S self-closing in-wall valve

F3S self-closing straight-way valve DN 15 as finished installation kit for installation in basic installation kit, for shower facilities. Self-closing functional part, hydraulically controlled, piston-free design, self-closing, stepless adjustment of flow duration. For connection to pre-mixed hot water or cold water. Housing including changeable valve seat, visible parts, high-polished chromium-plated brass. Holding frame including profile seal, stainless steel cover plate 190 x 245 mm with covered screw fixing and rosette. Depth adjustability 20 mm.

F3SV2005	2030040072
-----------------	------------

Mandatory accessories (optionally)

R3 system box for in-wall valves

F3BV2001	2030040069
-----------------	------------

R5 system box with lockable screw connections and sliding adhesive flange, for in-wall valves

F5BV2002	2030055925
-----------------	------------

Optional accessories

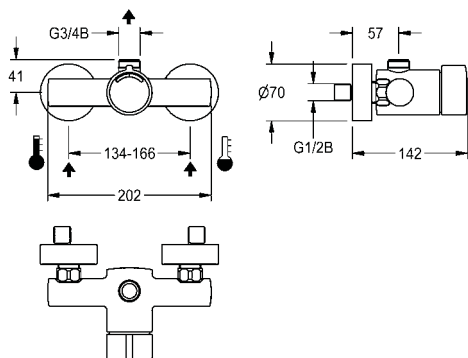
Extension set for depth compensation until 33 mm

AQRM900	2000101451
----------------	------------

Installation wrench required for installation of the extension set

AQRM967	2000101454
----------------	------------

KWC F3 self-closing mixers



Type

Article Number

F3S-Mix self-closing wall-mounted mixer

F3S-Mix self-closing wall-mounted mixer DN 15 as single-mixer for wall mounting, for shower facilities. Self-closing mixing cartridge, hydraulically controlled, piston-free design, self-closing, stepless configuration of flow duration. With adjustable temperature stop. Connects to hot and cold water. Housing with outlet on top, G 3/4 B, for installation of bent outlet or surface-mounted shower pipe, high-polished chromium-plated brass. With adjustable connections, with backflow preventer, strainers and screw rosettes.

F3SM2001

2030036198

Optional accessories

Bent outlet 120 x 150 mm, maximum mounting dimension 130 x 134 mm

ACXX2005 2030050434

Bent outlet 120 x 500 mm, maximum mounting dimension 130 x 484 mm

ACXX2006 2030050435

Shower pipe, length 1200 mm, crank 39 mm

ACSX2001 2030039555

Diverter for hand shower

ACXX2004 2030041561

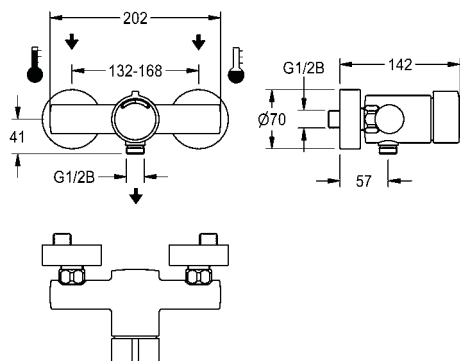
Adjustable and lockable screw connection, packing unit 2 pieces

ACXX9001 2030041416

Shower heads, see page 200 onwards

F3S-Mix self-closing wall-mounted mixer with hand shower connection

F3S-Mix self-closing wall-mounted mixer DN 15 as single-mixer for wall mounting, for shower facilities. Self-closing mixing cartridge, hydraulically controlled, piston-free design, self-closing, stepless configuration of flow duration. With adjustable temperature stop. Connects to hot and cold water. Housing with hand shower connection G 1/2 B, high-polished chromium-plated brass. With adjustable connections, with backflow preventer, strainers and screw rosettes.



F3SM2002

2030036202

Optional accessories

Adjustable and lockable screw connection, packing unit 2 pieces

ACXX9001 2030041416

Hand shower

ACXX2007 2030051216

Shower bracket with shower holder

ACXX2008 2030051217

KWC F3 self-closing mixers



Type	Article Number
------	----------------

F3S-Mix self-closing in-wall mixer

F3S-Mix self-closing single-mixer DN 15 as finished installation kit for installation in basic installation kit, for shower facilities. Self-closing mixing cartridge, hydraulically controlled, piston-free design, self-closing, stepless configuration of flow duration. With adjustable temperature stop. Connects to hot and cold water. All-metal construction, visible parts high-polished, chromium-plated. Holding frame including profile seal, stainless steel cover plate 190 x 245 mm with covered screw fixing, chromium-plated plastic rosettes, backflow preventer and strainers. Depth adjustability 25 mm.

F3SM2004	2030040074
-----------------	------------

Mandatory accessories (optionally)

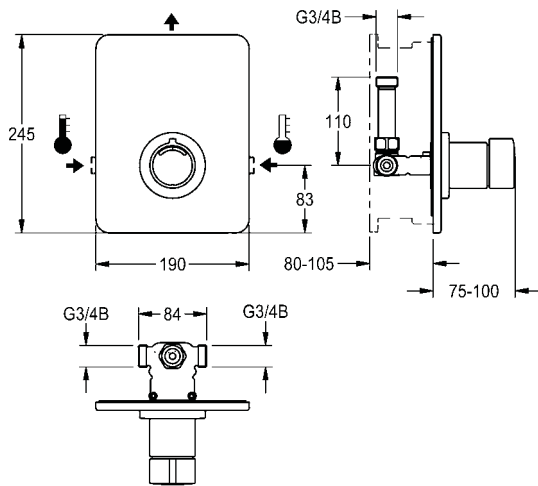
R3 KWC system box for in-wall mixers	
F3BX2001	2030036141

R5 system box with lockable screw connections and sliding adhesive flange, for in-wall mixer

F5BX2001	2030028990
-----------------	------------

Optional accessories

Extension set for 30 mm depth compensation	
ACSM2002	2030046031



Type Article Number



F3E-Therm electronic thermostat mixer

F3E-Therm thermostatic mixer DN 15 as finished installation kit for wall mounting in mounting material, for shower facilities. Electrically controlled, connects to hot water and cold water. Function block with integrated solenoid valve cartridge and thermostat, with metal handle with adjustable and turn-proof temperature stop and option for manual thermal disinfection. All-metal construction, visible parts high-polished, chrome-plated. With holding frame and profile seal, stainless-steel cover plate 190 x 245 mm with covered screw fixing including sensor with control electronics, rosette, backflow preventers and strainers. Depth adjustability 25 mm. Activated hygiene flushing 24 hours after last activation and storage of statistical data. With option for parameterization and communication via optional, bidirectional remote control.

Either for battery operation with 6 V lithium battery (CR-P2) per fitting or separate power supply via power supply unit 6.75 V/12 V DC.

Battery compartment including battery or power supply unit with extension cable must be ordered separately.



F3ET2004 2030067170

Mandatory accessories (optionally)

R3 system box for in-wall mixers

F3BX2001 2030036141

R5 system box with lockable screw connections and sliding adhesive flange, for in-wall mixer

F5BX2001 2030028990

Battery compartment including 6 V battery

ACEX9023 3600002063

Power supply unit

ACEX9001 2030039477

Extension cable 5 m (per tap)

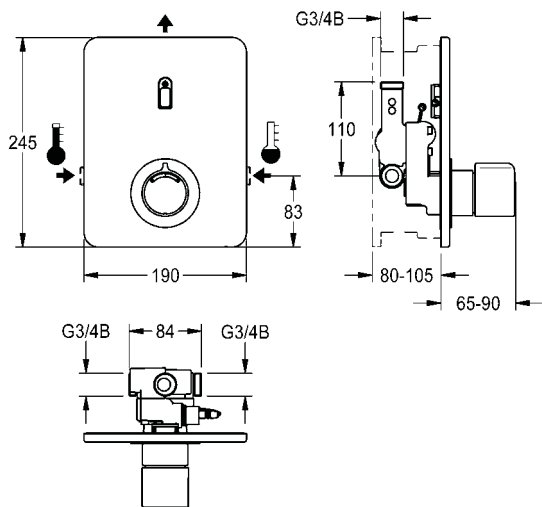
ACEX9010 2030043814

Optional accessories

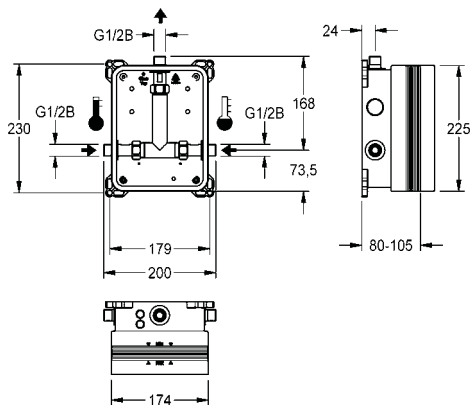
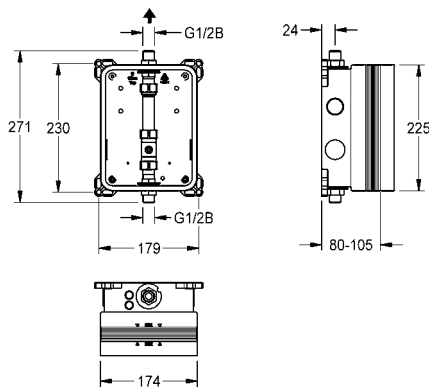
Extension set for depth adjustment 25 mm

ACXT9001 2030067889

Bidirectional remote control, two-button remote control, see page 209



KWC R3 system box



Type	Article Number
------	----------------

R3 system box for in-wall valves

R3 basic installation kit for in-wall mounting of finished installation kits DN 15 without mixing unit, for shower facilities. For connection to pre-mixed hot water or cold water. KWC system box made of plastic, 174 x 225 mm, with connection screws, shell protection, flush connector for flushing, and leak test.

F3BV2001	2030040069
-----------------	------------

Optional accessories

Sliding adhesive flange

ACBX9002	2030041606
-----------------	------------

Mounting traverse, depth adjustable, for installing KWC fittings with flush-mounting cabinets in drywall, packaging unit: 2 pieces

ZCMPX006	2000106019
-----------------	------------

R3 system box for in-wall mixers

R3 basic installation kit for in-wall mounting of finished installation kits DN 15 with mixing unit, for shower facilities. For connection to hot and cold water. KWC system box made of plastic, 174 x 225 mm, with connection screws, shell protection, flush connector for flushing, and leak test.

F3BX2001	2030036141
-----------------	------------

Optional accessories

Sliding adhesive flange

ACBX9002	2030041606
-----------------	------------

Mounting traverse, depth adjustable, for installing KWC fittings with flush-mounting cabinets in drywall, packaging unit: 2 pieces

ZCMPX006	2000106019
-----------------	------------

KWC F5 panels with self-closing mixer

Type **Article Number**



F5S-Mix stainless steel shower panel

F5S Mix shower panel made of stainless steel for wall mounting with DN 15 self-closing single control mixer and connecting nozzles for the shower head. FRAMIC self-closing mixing cartridge, hydraulically controlled, low maintenance and stagnation free, with ceramic disc technology, self-closing, flow pressure independent due to the medium-independent design. Stepless adjustment of flow duration. With adjustable, turn-proof temperature stop. For connection to hot water and cold water. All-metal construction, visible parts high-polished or chrome-plated. Connecting nozzles for the required additional DN 15 KWC shower head with pre-fitted flow regulator 9.0 l/min. Housing made of stainless steel with raised function surface and plastic cover caps. Connecting hoses with lockable water volume control with backflow preventer and strainer.

Dimensions of housing 235 x 1160 x 90 mm (W x H x D)

Shower head to be ordered separately.

F5SM2020	2030054248
with automatic shower pipe draining	
F5SM2014	2030056581

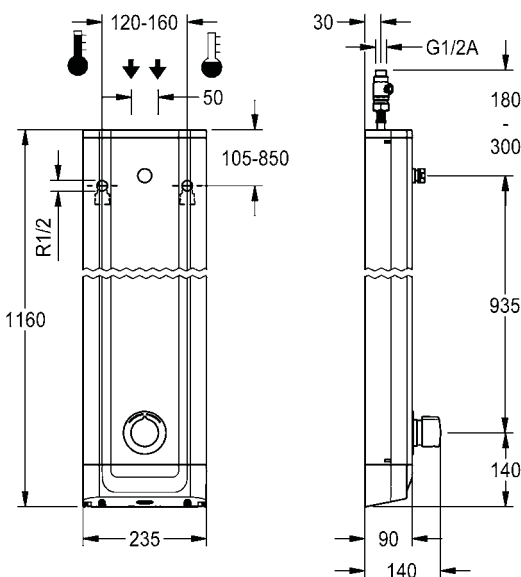
Mandatory accessories (optionally)

AQUAJET-Slimline shower head for F5 shower panels	
SHAS0011	2030054255
AQUAJET-Comfort shower head for F5 shower panels	
SHAC0011	2030054254
MÜNCHEN shower head for F5 shower panels	
SHMU0011	2030054793

Optional accessories

Flow controller 6.0 l/min	
ESHHE0004	2030027586
Flow controller 12.0 l/min	
ESHHE0002	2000104783
Shower gel dish for push-in installation on F5 shower panels made of stainless steel	
ACXX2021	2030057077

Housing extensions, see page 205 onwards



KWC F5 panels with self-closing mixer

Type	Article Number
------	----------------



F5S-Mix stainless steel shower panel with hand shower fitting

F5S Mix shower panel made of stainless steel for wall mounting with DN 15 self-closing single control mixer and connecting nozzles for a hand shower fitting. FRAMIC self-closing mixing cartridge, hydraulically controlled, low maintenance and stagnation free, with ceramic disc technology, self-closing, flow pressure independent due to the medium-independent design. Stepless adjustment of flow duration. With adjustable, turn-proof temperature stop. For connection to hot water and cold water. All-metal construction, visible parts high-polished or chrome-plated. Pre-fitted chrome-plated brass shower pole with height-adjustable hand shower holder and chrome-plated plastic hand shower, shower head with rain jet, diameter 110 mm, shower hose 900 mm. Housing made of stainless steel with raised function surface and plastic cover caps. Connecting hoses with lockable water volume control with backflow preventer and strainer.

Dimensions of housing 235 x 1160 x 90 mm (W x H x D)

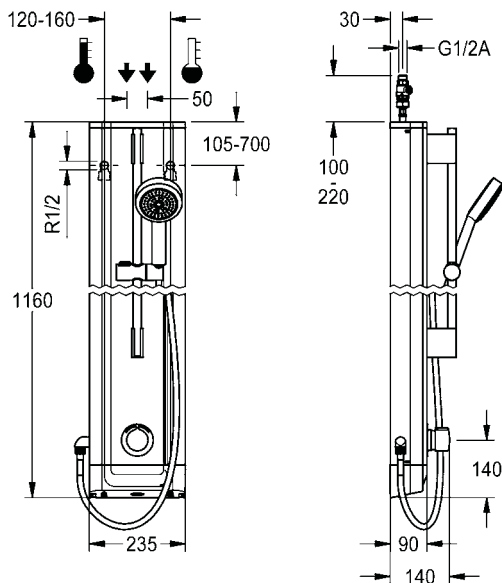
F5SM2021	2030056548
-----------------	------------

Optional accessories

Shower gel dish for push-in installation on F5 shower panels made of stainless steel

ACXX2021	2030057077
-----------------	------------

Housing extensions, see page 205 onwards



Shower taps

KWC F5 panels with self-closing mixer

Type

Article Number



F5S-Mix shower panel made of MIRANIT

F5S Mix shower panel made of mineral material for wall mounting with DN 15 self-closing single control mixer and connecting nozzles for the shower head. FRAMIC self-closing mixing cartridge, hydraulically controlled, low maintenance and stagnation free, with ceramic disc technology, self-closing, flow pressure independent due to the medium-independent design. Stepless adjustment of flow duration. With adjustable, turn-proof temperature stop. For connection to hot water and cold water. All-metal construction, visible parts high-polished or chrome-plated. Connecting nozzles for the required additional DN 15 KWC shower head with pre-fitted flow regulator 9.0 l/min. Housing with raised function surface made of MIRANIT resin-bonded mineral material with pore-free smooth surface (temperature-resistant up to 80 °C), Alpine white colour. Connecting hoses with lockable water volume control with backflow preventer and strainer.

Dimensions of housing 235 x 1160 x 100 mm (W x H x D)

Shower head to be ordered separately.

F5SM2024 2030056549

with automatic shower pipe draining

F5SM2015 2030056584

Mandatory accessories (optionally)

AQUAJET-Slimline shower head for F5 shower panels

SHAS0011 2030054255

AQUAJET-Comfort shower head for F5 shower panels

SHAC0011 2030054254

MÜNCHEN shower head for F5 shower panels

SHMU0011 2030054793

Optional accessories

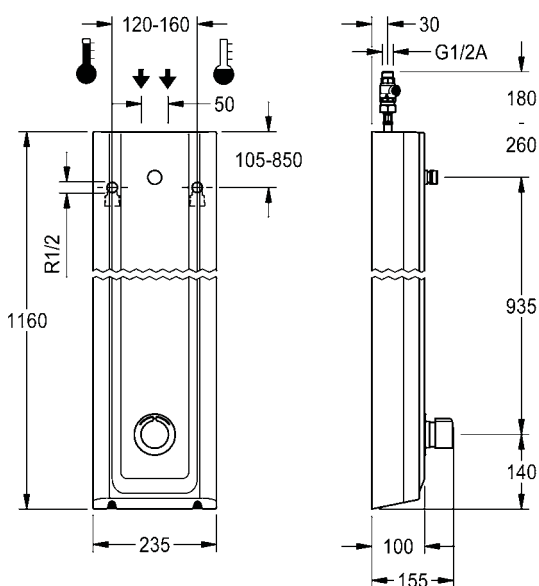
Flow controller 6.0 l/min

ESHHE0004 2030027586

Flow controller 12.0 l/min

ESHHE0002 2000104783

Housing extensions, see page 205 onwards



KWC F5 panels with self-closing mixer

Type Article Number



F5S-Mix shower panel made of MIRANIT with shower gel shelf

F5S Mix shower panel made of mineral material for wall mounting with DN 15 self-closing single control mixer and connecting nozzles for the shower head. FRAMIC self-closing mixing cartridge, hydraulically controlled, low maintenance and stagnation free, with ceramic disc technology, self-closing, flow pressure independent due to the medium-independent design. Stepless adjustment of flow duration. With adjustable, turn-proof temperature stop. For connection to hot water and cold water. All-metal construction, visible parts high-polished or chrome-plated. Connecting nozzles for the required additional DN 15 KWC shower head with pre-fitted flow regulator 9.0 l/min. Housing with raised function surface and seamless moulded shower gel shelf made of MIRANIT resin-bonded mineral material with pore-free smooth surface (temperature-resistant up to 80 °C), Alpine white colour. Connecting hoses with lockable water volume control with backflow preventer and strainer.

Dimensions of housing 235 x 1160 x 100 mm (W x H x D)

Shower head to be ordered separately.

F5SM2026 2030056552

with automatic shower pipe draining

F5SM2016 2030056588

Mandatory accessories (optionally)

AQUAJET-Slimline shower head for F5 shower panels

SHAS0011 2030054255

AQUAJET-Comfort shower head for F5 shower panels

SHAC0011 2030054254

MÜNCHEN shower head for F5 shower panels

SHMU0011 2030054793

Optional accessories

Flow controller 6.0 l/min

ESHHE0004 2030027586

Flow controller 12.0 l/min

ESHHE0002 2000104783

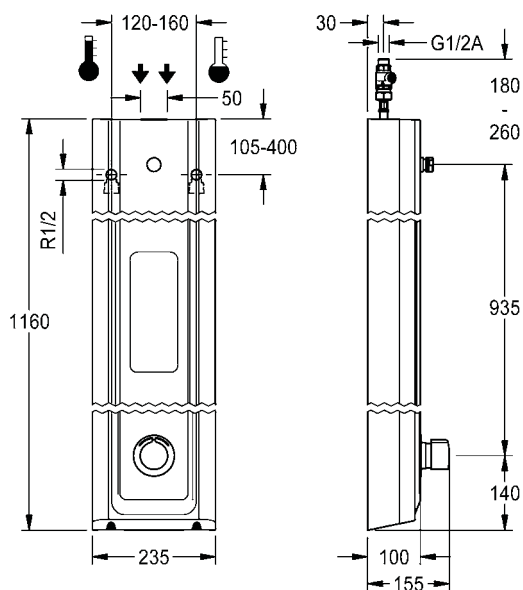
Housing extensions, see page 205 onwards



SHAS0011

SHAC0011

SHMU0011



Shower taps

KWC F5 panels with self-closing mixer

Type

Article Number



F5S-Mix shower panel made of MIRANIT with hand shower fitting

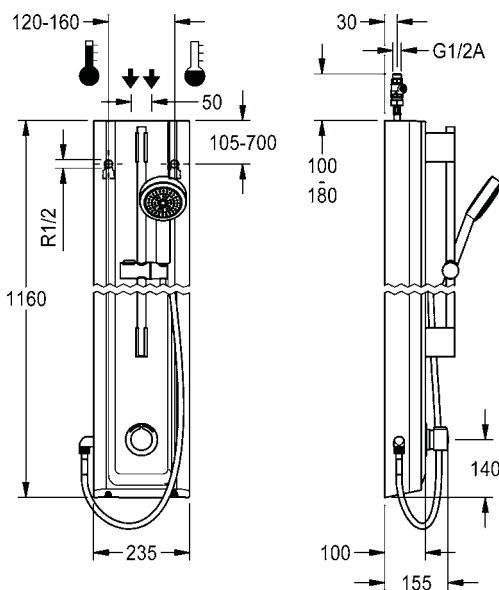
F5S Mix shower panel made of mineral material for wall mounting with DN 15 self-closing single control mixer and connecting nozzles for a hand shower fitting. FRAMIC self-closing mixing cartridge, hydraulically controlled, low maintenance and stagnation free, with ceramic disc technology, self-closing, flow pressure independent due to the medium-independent design. Stepless adjustment of flow duration. With adjustable, turn-proof temperature stop. For connection to hot water and cold water. All-metal construction, visible parts high-polished or chrome-plated. Pre-fitted chrome-plated brass shower pole with height-adjustable hand shower holder and chrome-plated plastic hand shower, shower head with rain jet, diameter 110 mm, shower hose 900 mm. Housing with raised function surface made of MIRANIT resin-bonded mineral material with pore-free smooth surface (temperature-resistant up to 80 °C), Alpine white colour. Connecting hoses with lockable water volume control with backflow preventer and strainer.

Dimensions of housing 235 x 1160 x 100 mm (W x H x D)

F5SM2025

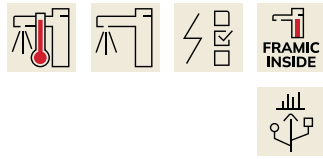
2030056550

Housing extensions, see page 205 onwards



KWC F5 panels with self-closing thermostatic mixer

Type _____ Article Number _____



F5S-Therm stainless steel shower panel

F5S Therm shower panel made of stainless steel for wall mounting with DN 15 self-closing thermostatic mixer and connecting nozzles for the shower head. Hydraulically controlled, for connection to hot water and cold water. Shower valve with integrated FRAMIC self-closing cartridge, thermostat and **pre-assembled hygiene unit** including sensor with control electronics to perform automatic water hygiene flushing, program-controlled thermal disinfection (additional bypass solenoid-operated flush valve cartridge required) and storage of statistical data. FRAMIC self-closing cartridge, low maintenance and stagnation free, with ceramic disc technology, self-closing, flow pressure independent due to the medium-independent design. Stepless adjustment of flow duration. Thermostat with metal handle, an adjustable and turn-proof temperature stop and an option for manual thermal disinfection. All-metal construction, visible parts high-polished or chrome-plated. Connecting nozzles for the required additional DN 15 KWC shower head with pre-fitted flow regulator 9.0 l/min. Housing made of stainless steel with raised function surface and plastic cover caps. Connecting hoses with lockable water volume control with backflow preventer and strainer. Activated water hygiene flushing at fixed intervals of 24 hours. With option for parameterization and communication via the optional bidirectional remote control. Optional hygiene unit for battery operation with 6 V lithium battery (CR-P2) per fitting or separate power supply via plug-in power supply unit 6.75 V/12 V DC.

Dimensions of housing 235 x 1160 x 90 mm (W x H x D)

Shower head and battery compartment including battery or plug-in power supply unit with extension cable to be ordered separately.



SHAS0011

SHAC0011

SHMU0011

F5ST2020 2030055929

Mandatory accessories (optionally)

AQUAJET-Slimline shower head for F5 shower panels

SHAS0011 2030054255

AQUAJET-Comfort shower head for F5 shower panels

SHAC0011 2030054254

MÜNCHEN shower head for F5 shower panels

SHMU0011 2030054793

Battery compartment including 6 V battery

ACEX9023 3600002063

Power supply unit

ACEX9001 2030039477

Extension cable 5 m (per tap)

ACEX9010 2030043814

Optional accessories

Flow controller 6.0 l/min

ESHHE0004 2030027586

Flow controller 12.0 l/min

ESHHE0002 2000104783

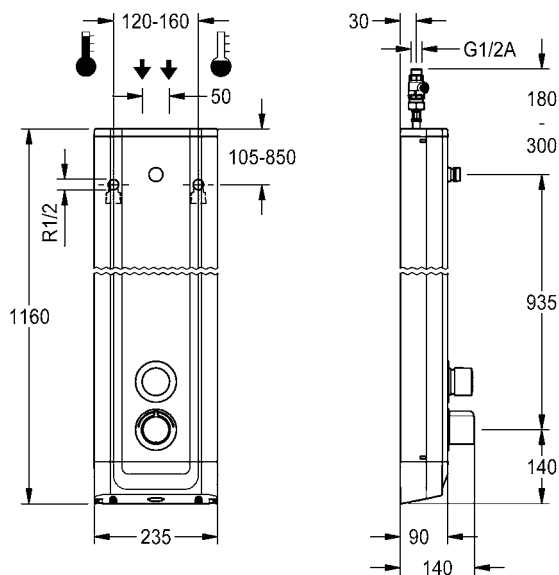
Set for thermal disinfection

ACXT2001 2030057940

Shower gel dish for push-in installation on F5 shower panels made of stainless steel

ACXX2021 2030057077

Housing extensions, bidirectional remote control, two-button remote control, see page 205 onwards



KWC F5 panels with self-closing thermostatic mixer

Type **Article Number**



F5S-Therm stainless steel shower panel

F5S Therm shower panel made of stainless steel for wall mounting with DN 15 self-closing thermostatic mixer and connecting nozzles for the shower head. Hydraulically controlled, for connection to hot water and cold water. Shower valve with integrated FRAMIC self-closing cartridge, thermostat and mechanism for an optional water hygiene unit for automatic water hygiene flushing, program-controlled thermal disinfection (additional bypass solenoid-operated flush valve cartridge required) and storage of statistical data. FRAMIC self-closing cartridge, low maintenance and stagnation free, with ceramic disc technology, self-closing, flow pressure independent due to the medium-independent design. Stepless adjustment of flow duration. Thermostat with metal handle, an adjustable and turn-proof temperature stop and an option for manual thermal disinfection. All-metal construction, visible parts high-polished or chrome-plated. Connecting nozzles for the required additional DN 15 KWC shower head with pre-fitted flow regulator 9.0 l/min. Housing made of stainless steel with raised function surface and plastic cover caps. Connecting hoses with lockable water volume control with backflow preventer and strainer.

Dimensions of housing 235 x 1160 x 90 mm (W x H x D)

Shower head to be ordered separately.

F5ST2022 2030056541

Mandatory accessories (optionally)

AQUAJET-Slimline shower head for F5 shower panels

SHAS0011 2030054255

AQUAJET-Comfort shower head for F5 shower panels

SHAC0011 2030054254

MÜNCHEN shower head for F5 shower panels

SHMU0011 2030054793

Optional accessories

Flow controller 6.0 l/min

ESHHE0004 2030027586

Flow controller 12.0 l/min

ESHHE0002 2000104783

Hygiene unit for F5S Therm shower panel

ACST2004 2030057064

Set for thermal disinfection

ACXT2001 2030057940

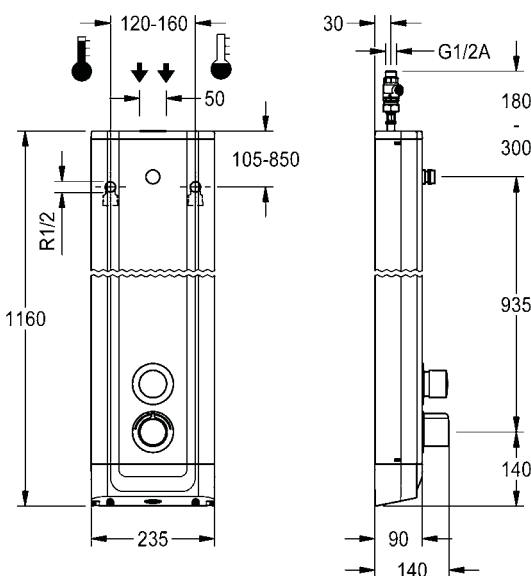
Shower gel dish for push-in installation on F5 shower panels made of stainless steel

ACXX2021 2030057077

Housing extensions see page 205

Note:

When using the ACST2004 hygiene unit, the battery compartment and battery (ACEX9023) or the power supply unit (ACEX9001) and extension cable (ACEX9010) must be ordered separately.



KWC F5 panels with self-closing thermostatic mixer

Type Article Number



F5S-Therm stainless steel shower panel with hand shower fitting

F5S Therm shower panel made of stainless steel for wall mounting with DN 15 self-closing thermostatic mixer and connecting nozzles for a hand shower fitting. Hydraulically controlled, for connection to hot water and cold water. Shower valve with integrated FRAMIC self-closing cartridge, thermostat and **pre-assembled hygiene unit** including sensor with control electronics to perform automatic water hygiene flushing, program-controlled thermal disinfection (additional bypass solenoid-operated flush valve cartridge required) and storage of statistical data. FRAMIC self-closing cartridge, low maintenance and stagnation free, with ceramic disc technology, self-closing, flow pressure independent due to the medium-independent design. Stepless adjustment of flow duration. Thermostat with metal handle, an adjustable and turn-proof temperature stop and an option for manual thermal disinfection. All-metal construction, visible parts high-polished or chrome-plated. Pre-fitted chrome-plated brass shower pole with height-adjustable hand shower holder and chrome-plated plastic hand shower, shower head with rain jet, diameter 110 mm, shower hose 900 mm. Housing made of stainless steel with raised function surface and plastic cover caps. Connecting hoses with lockable water volume control with backflow preventer and strainer. Activated water hygiene flushing at fixed intervals of 24 hours. With option for parameterization and communication via the optional bidirectional remote control. Optional hygiene unit for battery operation with 6 V lithium battery (CR-P2) per fitting or separate power supply via plug-in power supply unit 6.75 V/12 V DC.



Dimensions of housing 235 x 1160 x 90 mm (W x H x D)

Battery compartment including battery or plug-in power supply unit with extension cable to be ordered separately.

F5ST2021 2030056539

Mandatory accessories (optionally)

Battery compartment including 6 V battery

ACEX9023 3600002063

Power supply unit

ACEX9001 2030039477

Extension cable 5 m (per tap)

ACEX9010 2030043814

Optional accessories

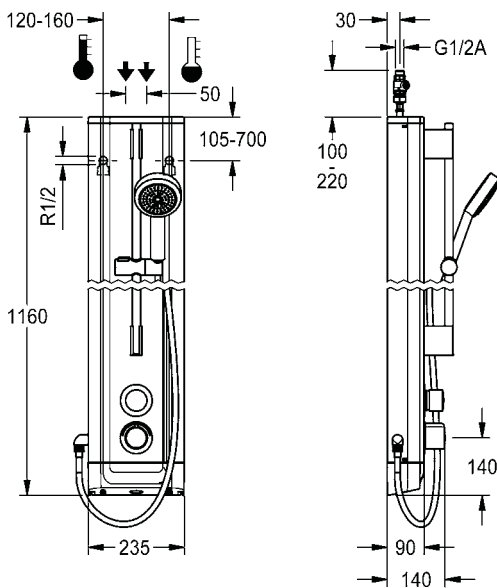
Set for thermal disinfection

ACXT2001 2030057940

Shower gel dish for push-in installation on F5 shower panels made of stainless steel

ACXX2021 2030057077

Housing extensions, bidirectional remote control, two-button remote control, see page 205 onwards



Shower taps

KWC F5 panels with self-closing thermostatic mixer

Type Article Number



F5S-Therm stainless steel shower panel with hand shower fitting

F5S Therm shower panel made of stainless steel for wall mounting with DN 15 self-closing thermostatic mixer and a hand shower fitting. Hydraulically controlled, for connection to hot water and cold water. Shower valve with integrated FRAMIC self-closing cartridge, thermostat and mechanism for an optional water hygiene unit for automatic water hygiene flushing, program-controlled thermal disinfection (additional bypass solenoid-operated flush valve cartridge required) and storage of statistical data. FRAMIC self-closing cartridge, low maintenance and stagnation free, with ceramic disc technology, self-closing, flow pressure independent due to the medium-independent design. Stepless adjustment of flow duration. Thermostat with metal handle, an adjustable and turn-proof temperature stop and an option for manual thermal disinfection. All-metal construction, visible parts high-polished or chrome-plated. Pre-fitted chrome-plated brass shower pole with height-adjustable hand shower holder and chrome-plated plastic hand shower, shower head with rain jet, diameter 110 mm, shower hose 900 mm. Housing made of stainless steel with raised function surface and plastic cover caps. Connecting hoses with lockable water volume control with backflow preventer and strainer.

Dimensions of housing 235 x 1160 x 90 mm (W x H x D)

F5ST2023 2030056542

Optional accessories

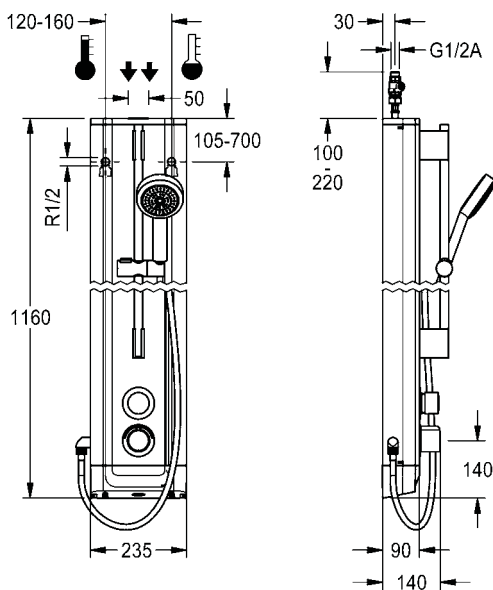
Hygiene unit for F5S Therm shower panel
ACST2004 2030057064

Shower gel dish for push-in installation on F5 shower panels made of stainless steel
ACXX2021 2030057077

Housing extensions see page 205

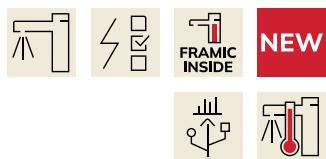
Note:

When using the ACST2004 hygiene unit, the battery compartment with battery (ACEX9023) or the power supply unit (ACEX9001) and extension cable (ACEX9010) must be ordered separately.



KWC F5 panels with self-closing thermostatic mixer

Type Article Number



F5S-Therm shower panel made of stainless steel with diverter between overhead shower and hand shower

F5S-Therm shower panel made of stainless steel for wall mounting with DN 15 self-closing thermostatic mixer and diverter between overhead shower and hand shower. Hydraulically controlled, connects to hot water and cold water. Function block with integrated FRAMIC self-closing cartridge, thermostat and **pre-assembled hygiene unit** including sensor with control electronics to perform automatic water hygiene flushing, program-controlled thermal disinfection (additional bypass solenoid-operated flush valve cartridge necessary) and storage of statistical data. FRAMIC self-closing cartridge, low maintenance and stagnation free, with ceramic disc technology, self closing, flow pressure independent due to medium-independent design. Flow duration can be adjusted by any increment. Thermostat with metal handle with adjustable and turn-proof construction, visible parts polished chrome-plated. Connecting nozzles for separately required DN 15 KWC shower head with pre-fitted flow regulator 9.0 l/min. Stainless steel housing with raised function surface and cover caps made of plastic. Hand shower connection on the left and chrome-plated plastic hand shower holder on the right, both pre-assembled on the side. Connector hoses with lockable water flow control with backflow preventer and strainer. Activated hygiene flushing, fixed interval of 24 hours. With option for parameterization and communication via optional, bidirectional remote control. Optional hygiene unit for battery operation with 6 V lithium battery (CR-P2) per fitting or separate power supply via plug-in power supply unit 6.75 V/12 V DC.



Housing dimensions 235 x 1160 x 90 mm (W x H x D)

Shower head, hand shower with shower hose and battery compartment including battery or power supply unit with extension cable must be ordered separately.



SHAS0011

SHAC0011

SHMU0011

F5ST2046 3600004618

Mandatory accessories (optionally)

AQUAJET-Slimline shower head for F5 shower panels

SHAS0011 2030054255

AQUAJET-Comfort shower head for F5 shower panels

SHAC0011 2030054254

MÜNCHEN shower head for F5 shower panels

SHMU0011 2030054793

Battery compartment including 6 V battery

ACEX9023 3600002063

Power supply unit

ACEX9001 2030039477

Extension cable 5 m (per tap)

ACEX9010 2030043814

Optional accessories

Flow controller 6.0 l/min

ESHHE0004 2030027586

Flow controller 12.0 l/min

ESHHE0002 2000104783

Hand shower

ACXX2007 2030051216

Shower bracket with shower holder

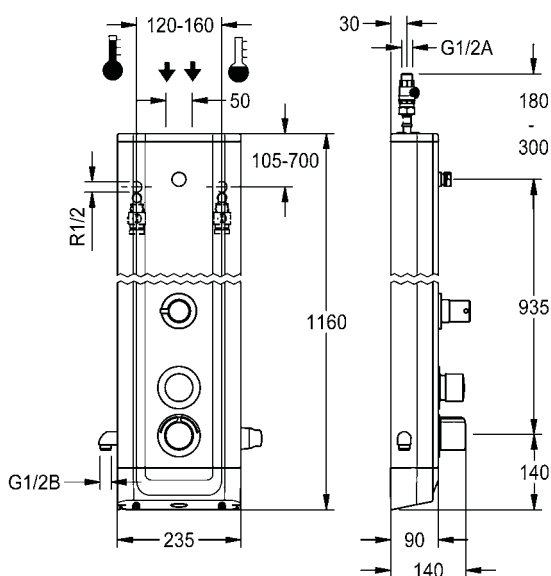
ACXX2008 2030051217

Set for thermal disinfection

ACXT2001 2030057940

Shower gel dish for push-in installation on F5 shower panels made of stainless steel

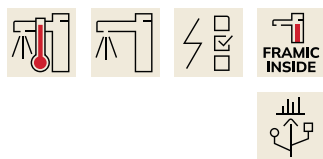
ACXX2021 2030057077



Housing extensions, bidirectional remote control, two-button remote control, see page 205 onwards

KWC F5 panels with self-closing thermostatic mixer

Type Article Number



F5S-Therm shower panel made of MIRANIT

F5S Therm shower panel made of mineral material for wall mounting with DN 15 self-closing thermostatic mixer and connecting nozzles for the shower head. Hydraulically controlled, for connection to hot water and cold water. Shower valve with integrated FRAMIC self-closing cartridge, thermostat and **pre-assembled hygiene unit** including sensor with control electronics to perform automatic water hygiene flushing, program-controlled thermal disinfection (additional bypass solenoid-operated flush valve cartridge required) and storage of statistical data. FRAMIC self-closing cartridge, low maintenance and stagnation free, with ceramic disc technology, self-closing, flow pressure independent due to the medium-independent design. Stepless adjustment of flow duration. Thermostat with metal handle, an adjustable and turn-proof temperature stop and an option for manual thermal disinfection. All-metal construction, visible parts high-polished or chrome-plated. Connecting nozzles for the required additional DN 15 KWC shower head with pre-fitted flow regulator 9.0 l/min. Housing with raised function surface made of MIRANIT resin-bonded mineral material with pore-free smooth surface (temperature-resistant up to 80 °C), Alpine white colour. Connecting hoses with lockable water volume control with backflow preventer and strainer. Activated water hygiene flushing at fixed intervals of 24 hours. With option for parameterization and communication via the optional bidirectional remote control. Optional hygiene unit for battery operation with 6 V lithium battery (CR-P2) per fitting or separate power supply via plug-in power supply unit 6.75 V/12 V DC.



Dimensions of housing 235 x 1160 x 100 mm (W x H x D)

Shower head and battery compartment including battery or plug-in power supply unit with extension cable to be ordered separately.



SHAS0011

SHAC0011

SHMU0011

F5ST2024 2030056543

Mandatory accessories (optionally)

AQUAJET-Slimline shower head for F5 shower panels

SHAS0011 2030054255

AQUAJET-Comfort shower head for F5 shower panels

SHAC0011 2030054254

MÜNCHEN shower head for F5 shower panels

SHMU0011 2030054793

Battery compartment including 6 V battery

ACEX9023 3600002063

Power supply unit

ACEX9001 2030039477

Extension cable 5 m (per tap)

ACEX9010 2030043814

Optional accessories

Flow controller 6.0 l/min

ESHHE0004 2030027586

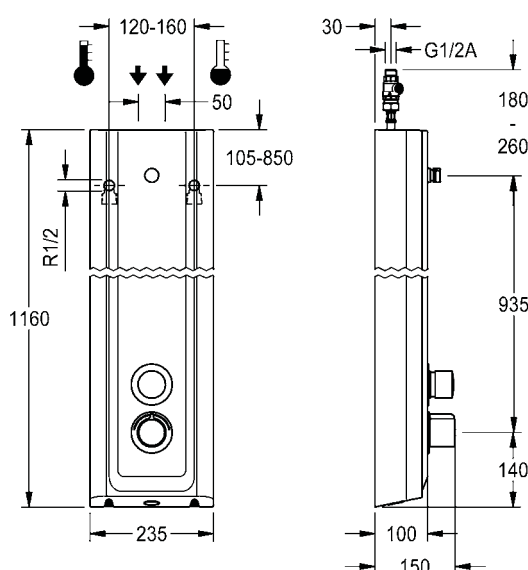
Flow controller 12.0 l/min

ESHHE0002 2000104783

Set for thermal disinfection

ACXT2001 2030057940

Housing extensions, bidirectional remote control, two-button remote control, see page 205 onwards



KWC F5 panels with self-closing thermostatic mixer

Type Article Number



F5S-Therm shower panel made of MIRANIT

F5S Therm shower panel made of mineral material for wall mounting with DN 15 self-closing thermostatic mixer and connecting nozzles for the shower head. Hydraulically controlled, for connection to hot water and cold water. Shower valve with integrated FRAMIC self-closing cartridge, thermostat and mechanism for an optional water hygiene unit for automatic water hygiene flushing, program-controlled thermal disinfection (additional bypass solenoid-operated flush valve cartridge required) and storage of statistical data. FRAMIC self-closing cartridge, low maintenance and stagnation free, with ceramic disc technology, self-closing, flow pressure independent due to the medium-independent design. Stepless adjustment of flow duration. Thermostat with metal handle, an adjustable and turn-proof temperature stop and an option for manual thermal disinfection. All-metal construction, visible parts high-polished or chrome-plated. Connecting nozzles for the required additional DN 15 KWC shower head with pre-fitted flow regulator 9.0 l/min. Housing with raised function surface made of MIRANIT resin-bonded mineral material with pore-free smooth surface (temperature-resistant up to 80 °C), Alpine white colour. Connecting hoses with lockable water volume control with backflow preventer and strainer.

Dimensions of housing 235 x 1160 x 100 mm (W x H x D)

Shower head to be ordered separately.

F5ST2027 2030056545

Mandatory accessories (optionally)

AQUAJET-Slimline shower head for F5 shower panels

SHAS0011 2030054255

AQUAJET-Comfort shower head for F5 shower panels

SHAC0011 2030054254

MÜNCHEN shower head for F5 shower panels

SHMU0011 2030054793

Optional accessories

Flow controller 6.0 l/min

ESHHE0004 2030027586

Flow controller 12.0 l/min

ESHHE0002 2000104783

Hygiene unit for F5S Therm shower panel

ACST2004 2030057064

Housing extensions see page 205

Note:

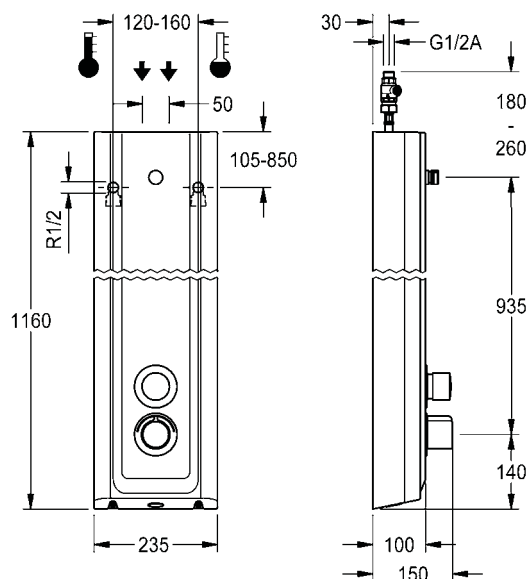
When using the ACST2004 hygiene unit, the battery compartment and battery (ACEX9023) or the power supply unit (ACEX9001) and extension cable (ACEX9010) must be ordered separately.



SHAS0011

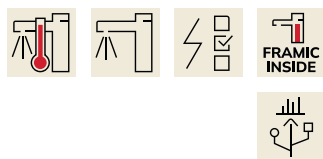
SHAC0011

SHMU0011



KWC F5 panels with self-closing thermostatic mixer

Type Article Number



F5S-Therm shower panel made of MIRANIT with shower gel shelf

F5S Therm shower panel made of mineral material for wall mounting with DN 15 self-closing thermostatic mixer and connecting nozzles for the shower head. Hydraulically controlled, for connection to hot water and cold water. Shower valve with integrated FRAMIC self-closing cartridge, thermostat and **pre-assembled hygiene unit** including sensor with control electronics to perform automatic water hygiene flushing, program-controlled thermal disinfection (additional bypass solenoid-operated flush valve cartridge required) and storage of statistical data. FRAMIC self-closing cartridge, low maintenance and stagnation free, with ceramic disc technology, self-closing, flow pressure independent due to the medium-independent design. Stepless adjustment of flow duration. Thermostat with metal handle, an adjustable and turn-proof temperature stop and an option for manual thermal disinfection. All-metal construction, visible parts high-polished or chrome-plated. Connecting nozzles for the required additional DN 15 KWC shower head with pre-fitted flow regulator 9.0 l/min. Housing with raised function surface and seamless moulded shower gel shelf made of MIRANIT resin-bonded mineral material with pore-free smooth surface (temperature-resistant up to 80 °C), Alpine white colour. Connecting hoses with lockable water volume control with backflow preventer and strainer. Activated water hygiene flushing at fixed intervals of 24 hours. With option for parameterization and communication via the optional bidirectional remote control. Optional hygiene unit for battery operation with 6 V lithium battery (CR-P2) per fitting or separate power supply via plug-in power supply unit 6.75 V/12 V DC.



Dimensions of housing 235 x 1160 x 100 mm (W x H x D)

Battery compartment including battery or plug-in power supply unit with extension cable to be ordered separately.



SHAS0011

SHAC0011

SHMU0011

F5ST2026

2030054253

Mandatory accessories (optionally)

AQUAJET-Slimline shower head for F5 shower panels

SHAS0011 2030054255

AQUAJET-Comfort shower head for F5 shower panels

SHAC0011 2030054254

MÜNCHEN shower head for F5 shower panels

SHMU0011 2030054793

Battery compartment including 6 V battery

ACEX9023 3600002063

Power supply unit

ACEX9001 2030039477

Extension cable 5 m (per tap)

ACEX9010 2030043814

Optional accessories

Flow controller 6.0 l/min

ESHHE0004 2030027586

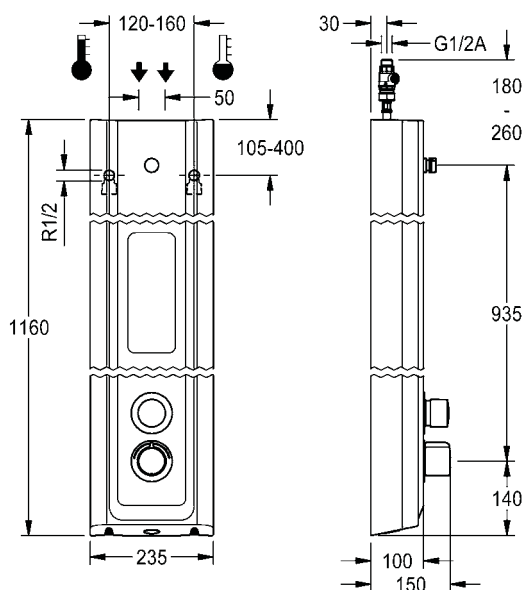
Flow controller 12.0 l/min

ESHHE0002 2000104783

Set for thermal disinfection

ACXT2001 2030057940

Housing extensions, bidirectional remote control, two-button remote control, see page 205 onwards



KWC F5 panels with self-closing thermostatic mixer

Type Article Number



F5S-Therm shower panel made of MIRANIT with shower gel shelf

F5S Therm shower panel made of mineral material for wall mounting with DN 15 self-closing thermostatic mixer and connecting nozzles for the shower head. Hydraulically controlled, for connection to hot water and cold water. Shower valve with integrated FRAMIC self-closing cartridge, thermostat and mechanism for an optional water hygiene unit for automatic water hygiene flushing, program-controlled thermal disinfection (additional bypass solenoid-operated flush valve cartridge required) and storage of statistical data. FRAMIC self-closing cartridge, low maintenance and stagnation free, with ceramic disc technology, self-closing, flow pressure independent due to the medium-independent design. Stepless adjustment of flow duration. Thermostat with metal handle, an adjustable and turn-proof temperature stop and an option for manual thermal disinfection. All-metal construction, visible parts high-polished or chrome-plated. Connecting nozzles for the required additional DN 15 KWC shower head with pre-fitted flow regulator 9.0 l/min. Housing with raised function surface and seamless moulded shower gel shelf made of MIRANIT resin-bonded mineral material with pore-free smooth surface (temperature-resistant up to 80 °C), Alpine white colour. Connecting hoses with lockable water volume control with backflow preventer and strainer.

Dimensions of housing 235 x 1160 x 100 mm (W x H x D)

Shower head must be ordered separately.

F5ST2029 2030056547

Mandatory accessories (optionally)

AQUAJET-Slimline shower head for F5 shower panels

SHAS0011 2030054255

AQUAJET-Comfort shower head for F5 shower panels

SHAC0011 2030054254

MÜNCHEN shower head for F5 shower panels

SHMU0011 2030054793

Optional accessories

Flow controller 6.0 l/min

ESHHE0004 2030027586

Flow controller 12.0 l/min

ESHHE0002 2000104783

Hygiene unit for F5S Therm shower panel

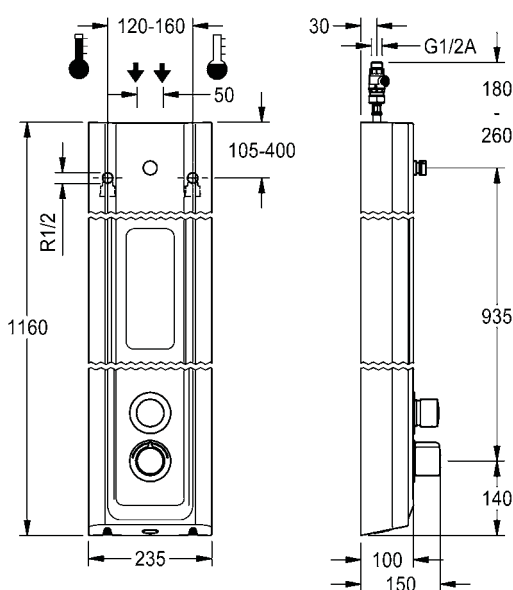
ACST2004 2030057064

Housing extensions see page 205

Note: When using the ACST2004 hygiene unit, the battery compartment and battery (ACEX9023) or the power supply unit (ACEX9001) and extension cable (ACEX9010) must be ordered separately.

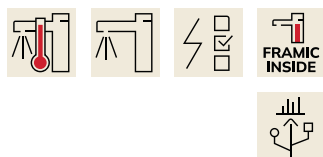


Shower taps



KWC F5 panels with self-closing thermostatic mixer

Type Article Number



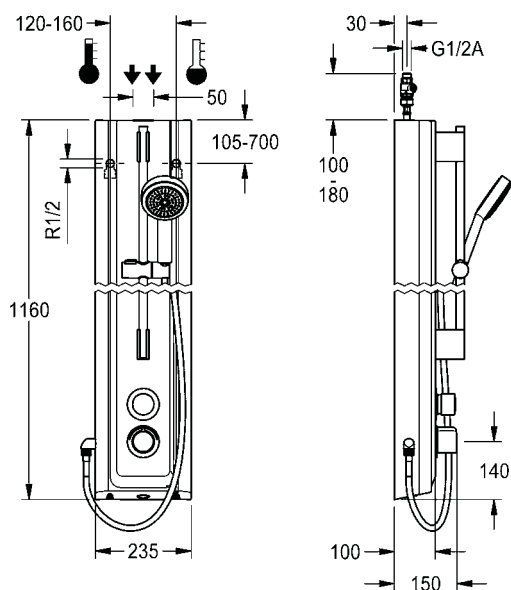
F5S-Therm shower panel made of MIRANIT with hand shower fitting

F5S Therm shower panel made of mineral material for wall mounting with DN 15 self-closing thermostatic mixer and a hand shower fitting. Hydraulically controlled, for connection to hot water and cold water. Shower valve with integrated FRAMIC self-closing cartridge, thermostat and **pre-assembled hygiene unit** including sensor with control electronics to perform automatic water hygiene flushing, program-controlled thermal disinfection (additional bypass solenoid-operated flush valve cartridge required) and storage of statistical data. FRAMIC self-closing cartridge, low maintenance and stagnation free, with ceramic disc technology, self-closing, flow pressure independent due to the medium-independent design. Stepless adjustment of flow duration. Thermostat with metal handle, an adjustable and turn-proof temperature stop and an option for manual thermal disinfection. All-metal construction, visible parts high-polished or chrome-plated. Pre-fitted chrome-plated brass shower pole with height-adjustable hand shower holder and chrome-plated plastic hand shower, shower head with rain jet, diameter 110 mm, shower hose 900 mm. Housing with raised function surface made of MIRANIT resin-bonded mineral material with pore-free smooth surface (temperature-resistant up to 80 °C), Alpine white colour. Connecting hoses with lockable water volume control with backflow preventer and strainer. Activated water hygiene flushing at fixed intervals of 24 hours. With option for parameterization and communication via the optional bidirectional remote control. Optional hygiene unit for battery operation with 6 V lithium battery (CR-P2) per fitting or separate power supply via plug-in power supply unit 6.75 V/12 V DC.



Dimensions of housing 235 x 1160 x 100 mm (W x H x D)

Battery compartment including battery or plug-in power supply unit with extension cable to be ordered separately.



F5ST2025 2030056544

Mandatory accessories (optionally)

Battery compartment including 6 V battery

ACEX9023 3600002063

Power supply unit

ACEX9001 2030039477

Extension cable 5 m (per tap)

ACEX9010 2030043814

Optional accessories

Set for thermal disinfection

ACXT2001 2030057940

Housing extensions, bidirectional remote control, two-button remote control, see page 205 onwards

KWC F5 panels with self-closing thermostatic mixer

Type

Article Number



F5S-Therm shower panel made of MIRANIT with hand shower fitting

F5S Therm shower panel made of mineral material for wall mounting with DN 15 self-closing thermostatic mixer and a hand shower fitting. Hydraulically controlled, for connection to hot water and cold water. Shower valve with integrated FRAMIC self-closing cartridge, thermostat and mechanism for an optional water hygiene unit for automatic water hygiene flushing, program-controlled thermal disinfection (additional bypass solenoid-operated flush valve cartridge required) and storage of statistical data. FRAMIC self-closing cartridge, low maintenance and stagnation free, with ceramic disc technology, self-closing, flow pressure independent due to the medium-independent design. Stepless adjustment of flow duration. Thermostat with metal handle, an adjustable and turn-proof temperature stop and an option for manual thermal disinfection. All-metal construction, visible parts high-polished or chrome-plated. Pre-fitted chrome-plated brass shower pole with height-adjustable hand shower holder and chrome-plated plastic hand shower, shower head with rain jet, diameter 110 mm, shower hose 900 mm. Housing with raised function surface made of MIRANIT resin-bonded mineral material with pore-free smooth surface (temperature-resistant up to 80 °C), Alpine white colour. Connecting hoses with lockable water volume control with backflow preventer and strainer.

Dimensions of housing 235 x 1160 x 100 mm (W x H x D)

F5ST2028

2030056546

Optional accessories

Hygiene unit for F5S Therm shower panel

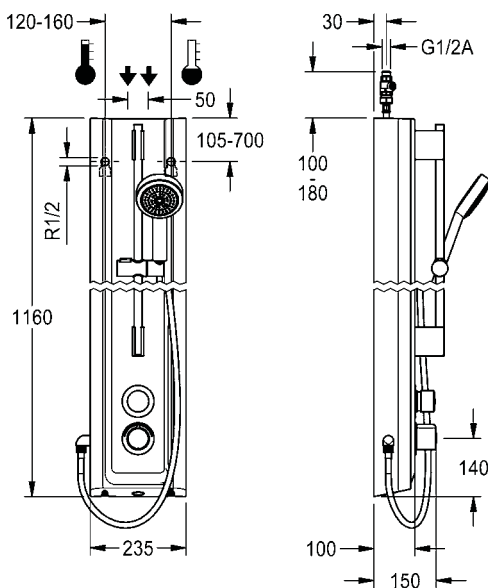
ACST2004

2030057064

Housing extensions see page 205

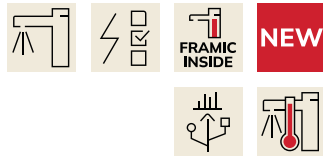
Note:

When using the ACST2004 hygiene unit, the battery compartment and battery (ACEX9023) or the power supply unit (ACEX9001) and extension cable (ACEX9010) must be ordered separately.



KWC F5 panels with self-closing thermostatic mixer

Type Article Number



F5S-Therm shower panel made of MIRANIT with diverter between overhead shower and hand shower

F5S-Therm shower panel made of mineral material for wall mounting with DN 15 self-closing thermostatic mixer and diverter between overhead shower and hand shower. Hydraulically controlled, connects to hot water and cold water. Function block with integrated FRAMIC self-closing cartridge, thermostat and **pre-assembled hygiene unit** including sensor with control electronics to perform automatic water hygiene flushing, program-controlled thermal disinfection (additional bypass solenoid-operated flush valve cartridge necessary) and storage of statistical data. FRAMIC self-closing cartridge, low maintenance and stagnation free, with ceramic disc technology, self closing, flow pressure independent due to medium-independent design. Flow duration can be adjusted by any increment. Thermostat with metal handle with adjustable and turn-proof temperature stop and option for manual thermal disinfection. All-metal construction, visible parts polished chrome-plated. Connecting nozzles for separately required DN 15 KWC shower head with pre-fitted flow regulator 9.0 l/min. Housing with raised function surface made of MIRANIT resin-bonded mineral material with pore-free smooth surface (temperature-resistant up to 80 °C), Alpine white colour. Hand shower connection on the left and chrome-plated plastic hand shower holder on the right, both pre-assembled on the side. Connector hoses with lockable water flow control with backflow preventer and strainer. Activated hygiene flushing, fixed interval of 24 hours. With option for parameterization and communication via optional, bidirectional remote control. Optional hygiene unit for battery operation with 6 V lithium battery (CR-P2) per fitting or separate power supply via plug-in power supply unit 6.75 V/12 V DC.



Housing dimensions 235 x 1160 x 100 mm (W x H x D)

Shower head, hand shower with shower hose and battery compartment including battery or power supply unit with extension cable must be ordered separately.



SHAC0011

SHAS0011

SHMU0011

F5ST2047 2030067188

Mandatory accessories (optionally)

AQUAJET-Comfort shower head for F5 shower panels

SHAC0011 2030054254

AQUAJET-Slimline shower head for F5 shower panels

SHAS0011 2030054255

MÜNCHEN shower head for F5 shower panels

SHMU0011 2030054793

Battery compartment including 6 V battery

ACEX9023 3600002063

Power supply unit

ACEX9001 2030039477

Extension cable 5 m (per tap)

ACEX9010 2030043814

Optional accessories

Flow controller 6.0 l/min

ESHHE0004 2030027586

Flow controller 12.0 l/min

ESHHE0002 2000104783

Hand shower

ACXX2007 2030051216

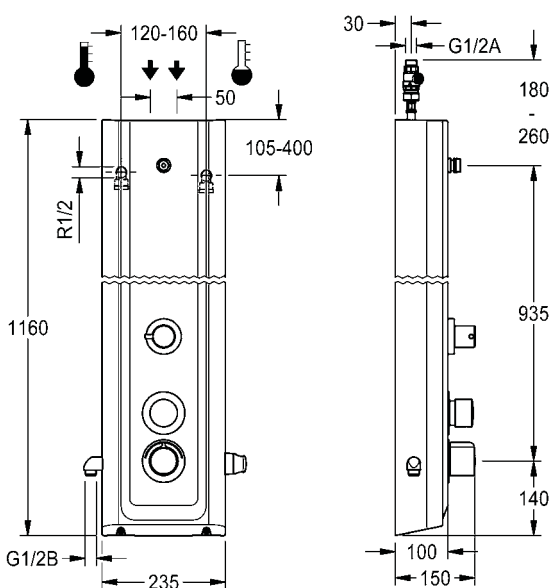
Shower bracket with shower holder

ACXX2008 2030051217

Set for thermal disinfection

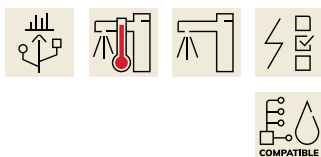
ACXT2001 2030057940

Housing extensions, bidirectional remote control, two-button remote control, see page 205 onwards



KWC F5 panels with electronic mixers

Type Article Number



F5E-Therm stainless steel shower panel

F5E Therm shower panel made of stainless steel for wall mounting with thermostatic mixer and connecting nozzles for the shower head. Electrically controlled, for connection to hot water and cold water. Shower valve with integrated solenoid valve cartridge, thermostat and mechanism for optional bypass solenoid valve cartridge to perform program-controlled thermal disinfection. Thermostat with metal handle, an adjustable and turn-proof temperature stop and an option for manual thermal disinfection. All-metal construction, visible parts high-polished or chrome-plated. Connecting nozzles for the required additional DN 15 KWC shower head with pre-fitted flow regulator 9.0 l/min. Housing made of stainless steel with raised function surface and plastic cover caps. Button sensor including control electronics with start/stop function and deactivation for cleaning. Connecting hoses with lockable water volume control with backflow preventer and strainer. Activated water hygiene flushing 24 hours after last activation and saving of statistical data. With option for parameterization and communication via the optional bidirectional remote control. Battery operation with 6 V lithium battery (CR-P2) per fitting, separate power supply via plug-in power supply unit 6.75 V/12 V DC or AQUA 3000 open system accessories.

Dimensions of housing 235 x 1160 x 90 mm (W x H x D)

Shower head and battery compartment including battery or plug-in power supply unit with extension cable to be ordered separately.



SHAS0011



SHAC0011



SHMU0011

F5ET2020 2030054250

Mandatory accessories (optionally)

AQUAJET-Slimline shower head for F5 shower panels

SHAS0011 2030054255

AQUAJET-Comfort shower head for F5 shower panels

SHAC0011 2030054254

MÜNCHEN shower head for F5 shower panels

SHMU0011 2030054793

Battery compartment including 6 V battery

ACEX9023 3600002063

Power supply unit

ACEX9001 2030039477

Extension cable 5 m (per tap)

ACEX9010 2030043814

Optional accessories

Flow controller 6.0 l/min

ESHHE0004 2030027586

Flow controller 12.0 l/min

ESHHE0002 2000104783

Set for thermal disinfection

ACXT2001 2030057940

Shower gel dish for push-in installation on F5 shower panels made of stainless steel

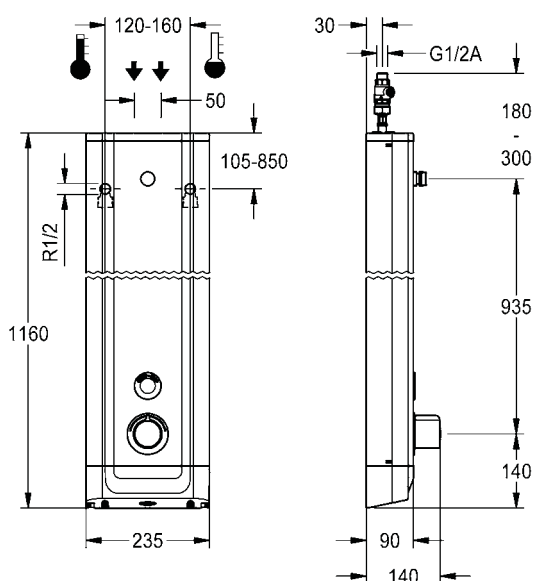
ACXX2021 2030057077

Electronic module EM5 with ID 07040

ACET2001 2030041918

Housing extensions, bidirectional remote control, two-button remote control, see page 205 onwards

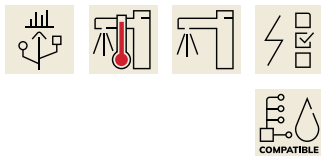
AQUA 3000 open system accessories, see "AQUA 3000 open" section



KWC F5 panels with electronic mixers

Type

Article Number



F5E Therm stainless steel shower panel with hand shower fitting

F5E Therm shower panel made of stainless steel for wall mounting with thermostatic mixer and a hand shower fitting. Electrically controlled, for connection to hot water and cold water. Shower valve with integrated solenoid valve cartridge, thermostat and mechanism for optional bypass solenoid valve cartridge to perform program-controlled thermal disinfection. Thermostat with metal handle, an adjustable and turn-proof temperature stop and an option for manual thermal disinfection. All-metal construction, visible parts high-polished or chrome-plated. Pre-fitted chrome-plated brass shower pole with height-adjustable hand shower holder and chrome-plated plastic hand shower, shower head with rain jet, diameter 110 mm, shower hose 900 mm. Housing made of stainless steel with raised function surface and plastic cover caps. Button sensor including control electronics with start/stop function and deactivation for cleaning. Connecting hoses with lockable water volume control with backflow preventer and strainer. Activated water hygiene flushing 24 hours after last activation and saving of statistical data. With option for parameterization and communication via the optional bidirectional remote control. Battery operation with 6 V lithium battery (CR-P2) per fitting, separate power supply via plug-in power supply unit 6.75 V / 12 V DC or AQUA 3000 open system accessories.



Dimensions of housing 235 x 1160 x 90 mm (W x H x D)

Battery compartment including battery or plug-in power supply unit with extension cable to be ordered separately.

F5ET2021 2030056562

Mandatory accessories (optionally)

Battery compartment including 6 V battery

ACEX9023 3600002063

Power supply unit

ACEX9001 2030039477

Extension cable 5 m (per tap)

ACEX9010 2030043814

Optional accessories

Set for thermal disinfection

ACXT2001 2030057940

Shower gel dish for push-in installation on F5 shower panels made of stainless steel

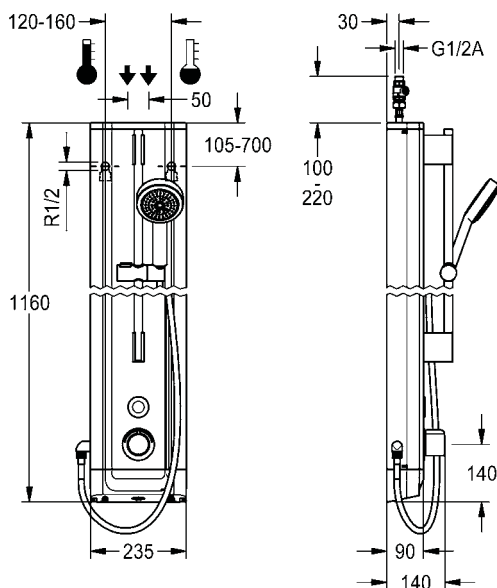
ACXX2021 2030057077

Electronic module EM5 with ID 07040

ACET2001 2030041918

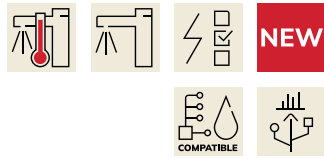
Housing extensions, bidirectional remote control, two-button remote control, see page 205 onwards

AQUA 3000 open system accessories, see "AQUA 3000 open" section



KWC F5 panels with electronic mixers

Type Article Number



F5E-Therm shower panel made of stainless steel with diverter between overhead shower and hand shower

F5E-Therm shower panel made of stainless steel for wall mounting with thermostatic mixer and diverter between overhead shower and hand shower. Electrically controlled, connects to hot water and cold water. Function block with integrated solenoid valve cartridge, thermostat and mechanism for optional bypass solenoid valve cartridge to perform program-controlled thermal disinfection. Thermostat with metal handle with adjustable and turn-proof temperature stop and option for manual thermal disinfection. All-metal construction, visible parts polished chrome-plated. Connecting nozzles for separately required DN 15 KWC shower head with pre-fitted flow regulator 9.0 l/min. Stainless steel housing with raised function surface and cover caps made of plastic. Hand shower connection on the left and chrome-plated plastic hand shower holder on the right, both pre-assembled on the side. Button sensor including control electronics with start/stop function and deactivation of cleaning. Connector hoses with lockable water flow control with backflow preventer and strainer. Activated water hygiene flushing 24 hours after last activation and saving of statistical data. With option for parameterization and communication via optional, bidirectional remote control. Optionally for battery operation with 6 V lithium battery (CR-P2) per fitting or separate power supply via 6.75 V/12 V DC power supply unit or AQUA 3000 open system accessories.



Housing dimensions 235 x 1160 x 90 mm (W x H x D)

Shower head, hand shower with shower hose and battery compartment including battery or power supply unit with extension cable must be ordered separately.

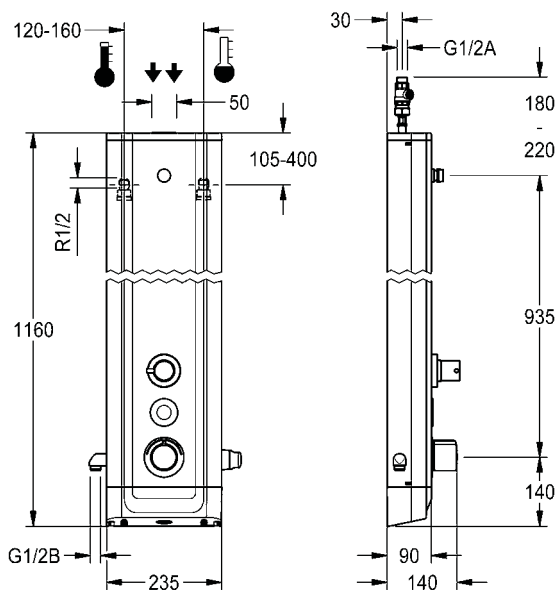


SHAS0011

SHAC0011

SHMU0011

F5ET2049	2030062971
Mandatory accessories (optionally)	
AQUAJET-Slimline shower head for F5 shower panels	
SHAS0011	2030054255
AQUAJET-Comfort shower head for F5 shower panels	
SHAC0011	2030054254
MÜNCHEN shower head for F5 shower panels	
SHMU0011	2030054793
Battery compartment including 6 V battery	
ACEX9023	3600002063
Power supply unit	
ACEX9001	2030039477
Extension cable 5 m (per tap)	
ACEX9010	2030043814
Optional accessories	
Flow controller 6.0 l/min	
ESHHE0004	2030027586
Flow controller 12.0 l/min	
ESHHE0002	2000104783
Hand shower	
ACXX2007	2030051216
Shower bracket with shower holder	
ACXX2008	2030051217
Set for thermal disinfection	
ACXT2001	2030057940
Shower gel dish for push-in installation on F5 shower panels made of stainless steel	
ACXX2021	2030057077
Electronic module EM5 with ID 07040	
ACET2001	2030041918

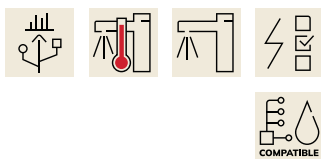


Housing extensions, bidirectional remote control, two-button remote control, see page 205 onwards

AQUA 3000 open system accessories, see "AQUA 3000 open" section

KWC F5 panels with electronic mixers

Type Article Number



F5E-Therm shower panel made of MIRANIT

F5E Therm shower panel made of mineral material for wall mounting with thermostatic mixer and connecting nozzles for the shower head. Electrically controlled, for connection to hot water and cold water. Shower valve with integrated solenoid valve cartridge, thermostat and mechanism for optional bypass solenoid valve cartridge to perform program-controlled thermal disinfection. Thermostat with metal handle, an adjustable and turn-proof temperature stop and an option for manual thermal disinfection. All-metal construction, visible parts high-polished or chrome-plated. Connecting nozzles for the required additional DN 15 KWC shower head with pre-fitted flow regulator 9.0 l/min. Housing with raised function surface made of MIRANIT resin-bonded mineral material with pore-free smooth surface (temperature-resistant up to 80 °C), Alpine white colour. Button sensor including control electronics with start/stop function and deactivation for cleaning. Connecting hoses with lockable water volume control with backflow preventer and strainer. Activated water hygiene flushing 24 hours after last activation and saving of statistical data. With option for parameterization and communication via the optional bidirectional remote control. Battery operation with 6 V lithium battery (CR-P2) per fitting, separate power supply via plug-in power supply unit 6.75 V/12 V DC or AQUA 3000 open system accessories.

Dimensions of housing 235 x 1160 x 100 mm (W x H x D)

Shower head and battery compartment including battery or plug-in power supply unit with extension cable to be ordered separately.



SHAS0011

SHAC0011

SHMU0011

F5ET2024 2030056563

Mandatory accessories (optionally)

AQUAJET-Slimline shower head for F5 shower panels

SHAS0011 2030054255

AQUAJET-Comfort shower head for F5 shower panels

SHAC0011 2030054254

MÜNCHEN shower head for F5 shower panels

SHMU0011 2030054793

Battery compartment including 6 V battery

ACEX9023 3600002063

Power supply unit

ACEX9001 2030039477

Extension cable 5 m (per tap)

ACEX9010 2030043814

Optional accessories

Flow controller 6.0 l/min

ESHHE0004 2030027586

Flow controller 12.0 l/min

ESHHE0002 2000104783

Set for thermal disinfection

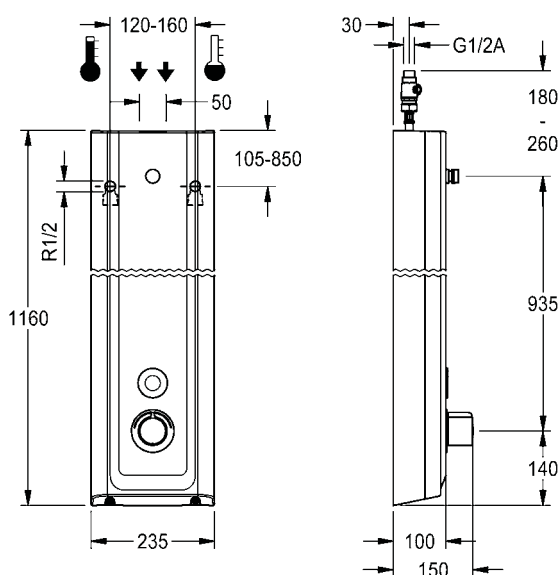
ACXT2001 2030057940

Electronic module EM5 with ID 07040

ACET2001 2030041918

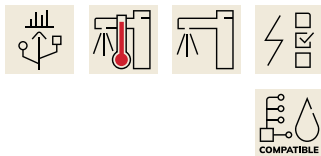
Housing extensions, bidirectional remote control, two-button remote control, see page 205 onwards

AQUA 3000 open system accessories, see "AQUA 3000 open" section



KWC F5 panels with electronic mixers

Type **Article Number**



F5E-Therm shower panel made of MIRANIT with shower gel shelf

F5E Therm shower panel made of mineral material for wall mounting with thermostatic mixer and connecting nozzles for the shower head. Electrically controlled, for connection to hot water and cold water. Shower valve with integrated solenoid valve cartridge, thermostat and mechanism for optional bypass solenoid valve cartridge to perform program-controlled thermal disinfection. Thermostat with metal handle, an adjustable and turn-proof temperature stop and an option for manual thermal disinfection. All-metal construction, visible parts high-polished or chrome-plated. Connecting nozzles for the required additional DN 15 KWC shower head with pre-fitted flow regulator 9.0 l/min. Housing with raised function surface and seamless moulded shower gel shelf made of MIRANIT resin-bonded mineral material with pore-free smooth surface (temperature-resistant up to 80 °C), Alpine white colour. Button sensor including control electronics with start/stop function and deactivation for cleaning. Connecting hoses with lockable water volume control with backflow preventer and strainer. Activated water hygiene flushing 24 hours after last activation and saving of statistical data. With option for parameterization and communication via the optional bidirectional remote control. Battery operation with 6 V lithium battery (CR-P2) per fitting, separate power supply via plug-in power supply unit 6.75 V/12 V DC or AQUA 3000 open system accessories.

Dimensions of housing 235 x 1160 x 100 mm (W x H x D)

Shower head and battery compartment including battery or plug-in power supply unit with extension cable to be ordered separately.



SHAS0011

SHAC0011

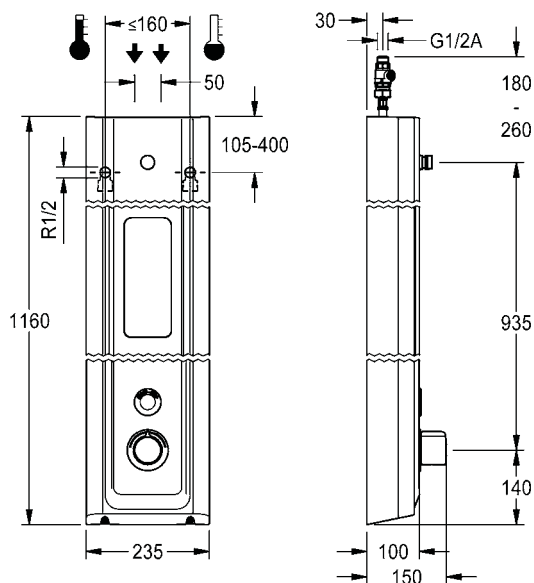
SHMU0011

F5ET2026	2030056574
Mandatory accessories (optionally)	
AQUAJET-Slimline shower head for F5 shower panels	
SHAS0011	2030054255
AQUAJET-Comfort shower head for F5 shower panels	
SHAC0011	2030054254
MÜNCHEN shower head for F5 shower panels	
SHMU0011	2030054793
Battery compartment including 6 V battery	
ACEX9023	3600002063
Power supply unit	
ACEX9001	2030039477
Extension cable 5 m (per tap)	
ACEX9010	2030043814

Optional accessories	
Flow controller 6.0 l/min	
ESHHE0004	2030027586
Flow controller 12.0 l/min	
ESHHE0002	2000104783
Set for thermal disinfection	
ACXT2001	2030057940
Electronic module EM5 with ID 07040	
ACET2001	2030041918

Housing extensions, bidirectional remote control, two-button remote control, see page 205 onwards

AQUA 3000 open system accessories, see "AQUA 3000 open" section



Shower taps

KWC F5 panels with electronic mixers

Type

Article Number



F5E-Therm shower panel made of MIRANIT with hand shower fitting



F5E Therm shower panel made of mineral material for wall mounting with thermostatic mixer and a hand shower fitting. Electrically controlled, for connection to hot water and cold water. Shower valve with integrated solenoid valve cartridge, thermostat and mechanism for optional bypass solenoid valve cartridge to perform program-controlled thermal disinfection. Thermostat with metal handle, an adjustable and turn-proof temperature stop and an option for manual thermal disinfection. All-metal construction, visible parts high-polished or chrome-plated. Pre-fitted chrome-plated brass shower pole with height-adjustable hand shower holder and chrome-plated plastic hand shower, shower head with rain jet, diameter 110 mm, shower hose 900 mm. Housing with raised function surface made of MIRANIT resin-bonded mineral material with pore-free smooth surface (temperature-resistant up to 80 °C), Alpine white colour. Button sensor including control electronics with start/stop function and deactivation for cleaning. Connecting hoses with lockable water volume control with backflow preventer and strainer. Activated water hygiene flushing 24 hours after last activation and saving of statistical data. With option for parameterization and communication via the optional bidirectional remote control. Battery operation with 6 V lithium battery (CR-P2) per fitting, separate power supply via plug-in power supply unit 6.75 V/12 V DC or AQUA 3000 open system accessories.



Dimensions of housing 235 x 1160 x 100 mm (W x H x D)

Battery compartment including battery or plug-in power supply unit with extension cable to be ordered separately.

F5ET2025 2030056573

Mandatory accessories (optionally)

Battery compartment including 6 V battery

ACEX9023 3600002063

Power supply unit

ACEX9001 2030039477

Extension cable 5 m (per tap)

ACEX9010 2030043814

Optional accessories

Set for thermal disinfection

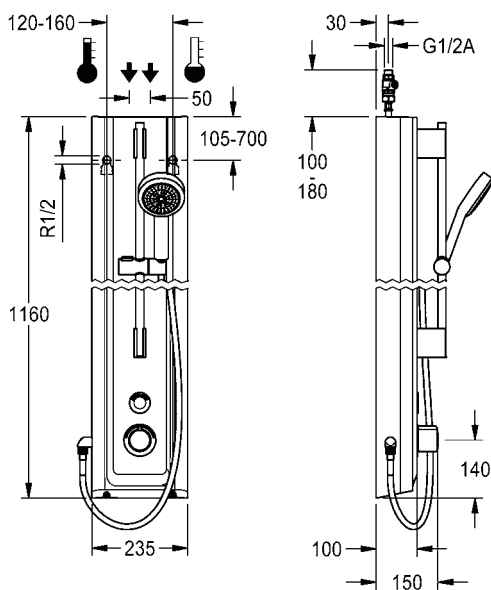
ACXT2001 2030057940

Electronic module EM5 with ID 07040

ACET2001 2030041918

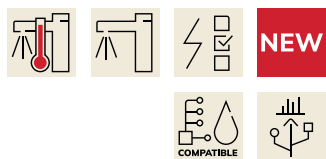
Housing extensions, bidirectional remote control, two-button remote control, see page 205 onwards

AQUA 3000 open system accessories, see "AQUA 3000 open" section



KWC F5 panels with electronic mixers

Type Article Number



F5E-Therm shower panel made of MIRANIT with diverter between overhead shower and hand shower

F5E-Therm shower panel made of mineral material for wall mounting with thermostatic mixer and diverter between overhead shower and hand shower. Electrically controlled, connects to hot water and cold water. Function block with integrated solenoid valve cartridge, thermostat and mechanism for optional bypass solenoid valve cartridge to perform program-controlled thermal disinfection. Thermostat with metal handle with adjustable and turn-proof temperature stop and option for manual thermal disinfection. All-metal construction, visible parts polished chrome-plated. Connecting nozzles for separately required DN 15 KWC shower head with pre-fitted flow regulator 9.0 l/min. Housing with raised function surface made of MIRANIT resin-bonded mineral material with pore-free smooth surface (temperature-resistant up to 80 °C), Alpine white colour. Hand shower connection on the left and chrome-plated plastic hand shower holder on the right, both pre-assembled on the side. Button sensor including control electronics with start/stop function and deactivation of cleaning. Connector hoses with lockable water flow control with backflow preventer and strainer. Activated water hygiene flushing 24 hours after last activation and saving of statistical data. With option for parameterization and communication via optional, bidirectional remote control. Optionally for battery operation with 6 V lithium battery (CR-P2) per fitting or separate power supply via 6.75 V/12 V DC power supply unit or AQUA 3000 open system accessories.



Housing dimensions 235 x 1160 x 100 mm (W x H x D)

Shower head, hand shower with shower hose and battery compartment including battery or power supply unit with extension cable must be ordered separately.

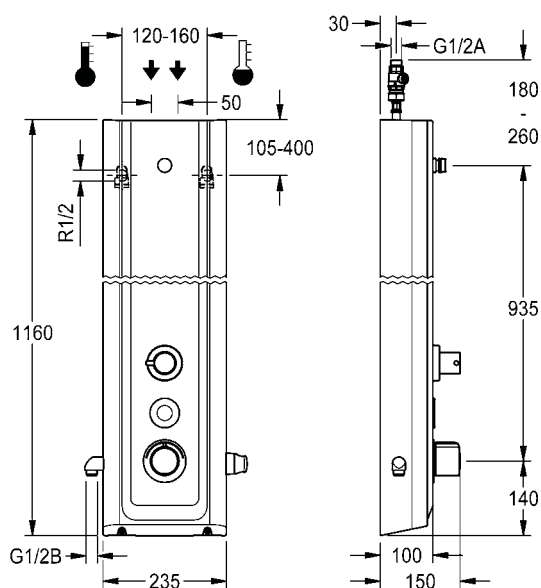


SHAC0011

SHAS0011

SHMU0011

F5ET2050	2030062975
Mandatory accessories (optionally)	
AQUAJET-Comfort shower head for F5 shower panels	SHAC0011 2030054254
AQUAJET-Slimline shower head for F5 shower panels	SHAS0011 2030054255
MÜNCHEN shower head for F5 shower panels	SHMU0011 2030054793
Battery compartment including 6 V battery	ACEX9023 3600002063
Power supply unit	ACEX9001 2030039477
Extension cable 5 m (per tap)	ACEX9010 2030043814
Optional accessories	
Flow controller 6.0 l/min	ESHHE0004 2030027586
Flow controller 12.0 l/min	ESHHE0002 2000104783
Hand shower	ACXX2007 2030051216
Shower bracket with shower holder	ACXX2008 2030051217
Set for thermal disinfection	ACXT2001 2030057940
Electronic module EM5 with ID 07040	ACET2001 2030041918



Housing extensions, bidirectional remote control, two-button remote control, see page 205 onwards

AQUA 3000 open system accessories, see "AQUA 3000 open" section

KWC F5 panels with thermostatic single-lever mixer

Type Article Number



F5L-Therm stainless steel shower panel

F5L-Therm stainless-steel shower panel for wall mounting with single-lever thermostat DN 15 and connecting nozzle for shower head. For connection to hot and cold water. Function block with integrated mixing cartridge and **pre-assembled hygiene unit** including sensor with control electronics to perform automatic water hygiene flushing, program-controlled thermal disinfection (additional bypass solenoid-operated flush valve cartridge necessary) and storage of statistical data. Thermostatically-controlled mixer cartridge with expansion element and active scald protection as well as adjustable and turn-proof temperature stop, and ceramic disc technology. All-metal construction, visible parts high-polished, chrome-plated. Connecting nozzles for separate required DN 15 KWC shower head with pre-fitted flow regulator 9.0 l/min. Stainless steel housing with raised function surface and cover caps made of plastic. With adjustable and lockable connections with backflow preventer and strainers. Activated hygiene flushing, fixed interval of 24 hours. With option for parameterization and communication via optional, bidirectional remote control. Optional hygiene unit for battery operation with 6 V lithium battery (CR-P2) per fitting or separate power supply via plug-in power supply unit 6.75 V/12 V DC.

Housing dimensions 235 x 1160 x 90 mm (W x H x D)

Shower head and battery compartment including battery or power supply unit with extension cable must be ordered separately.

F5LT2020 2030066509

Mandatory accessories (optionally)

AQUAJET-Slimline shower head for F5 shower panels

SHAS0011 2030054255

AQUAJET-Comfort shower head for F5 shower panels

SHAC0011 2030054254

MÜNCHEN shower head for F5 shower panels

SHMU0011 2030054793

Battery compartment including 6 V battery

ACEX9023 3600002063

Power supply unit

ACEX9001 2030039477

Extension cable 5 m (per tap)

ACEX9010 2030043814

Optional accessories

Flow controller 6.0 l/min

ESHHE0004 2030027586

Flow controller 12.0 l/min

ESHHE0002 2000104783

Bypass solenoid valve cartridge, 6 V DC

EAQFU0001 2030003033

Shower gel dish for push-in installation on F5 shower panels made of stainless steel

ACXX2021 2030057077

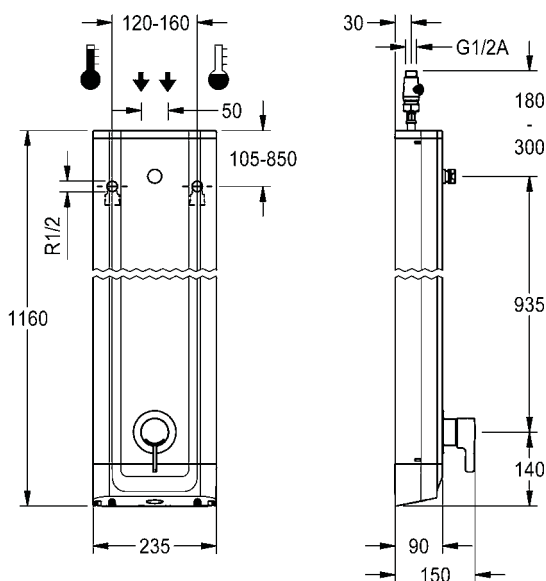
Housing extensions, bidirectional remote control, two-button remote control, see page 205 onwards



SHAS0011

SHAC0011

SHMU0011



KWC F5 panels with thermostatic single-lever mixer

Type Article Number



F5L-Therm stainless steel shower panel

F5L-Therm stainless-steel shower panel for wall mounting with single-lever thermostat DN 15 and connecting nozzle for shower head. For connection to hot and cold water. Function block with integrated mixing cartridge and mechanism for an optional water hygiene unit for automatic water hygiene flushing, program-controlled thermal disinfection (additional bypass solenoid-operated flush valve cartridge necessary) and storage of statistical data. Thermostatically-controlled mixer cartridge with expansion element and active scald protection as well as adjustable and turn-proof temperature stop, and ceramic disc technology. All-metal construction, visible parts high-polished, chrome-plated. Connecting nozzles for separate required DN 15 KWC shower head with pre-fitted flow regulator 9.0 l/min. Stainless steel housing with raised function surface and cover caps made of plastic. With adjustable and lockable connections with backflow preventer and strainers.

Housing dimensions 235 x 1160 x 90 mm (W x H x D)

Shower head must be ordered separately.

F5LT2022 2030066541

Mandatory accessories (optionally)

AQUAJET-Slimline shower head for F5 shower panels

SHAS0011 2030054255

AQUAJET-Comfort shower head for F5 shower panels

SHAC0011 2030054254

MÜNCHEN shower head for F5 shower panels

SHMU0011 2030054793

Optional accessories

Flow controller 6.0 l/min

ESHHE0004 2030027586

Flow controller 12.0 l/min

ESHHE0002 2000104783

Hygiene unit for F5L single lever mixer shower panel

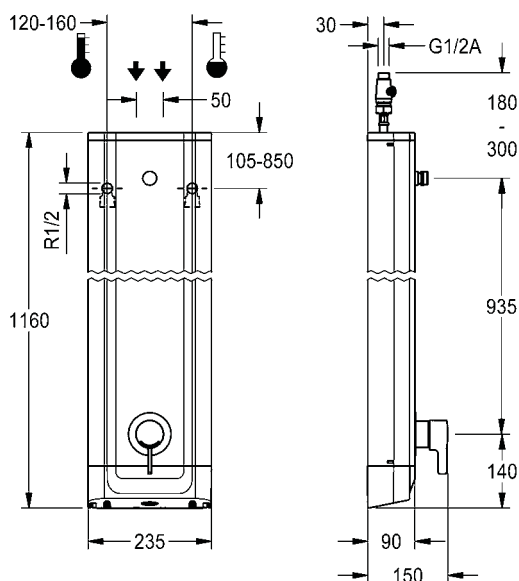
ACLM2003 2030057065

Shower gel dish for push-in installation on F5 shower panels made of stainless steel

ACXX2021 2030057077

Housing extensions see page 205

Note: When using the ACLM2003 hygiene unit, the battery compartment and battery (ACEX9023) or the power supply unit (ACEX9001) and extension cable (ACEX9010) must be ordered separately.



Shower taps

KWC F5 panels with thermostatic single-lever mixer

Type

Article Number



F5L-Therm stainless steel shower panel with hand shower fitting

F5L-Therm stainless-steel shower panel for wall mounting with single-lever thermostat DN 15 and hand shower fitting kit. For connection to hot and cold water. Function block with integrated mixing cartridge and **pre-assembled hygiene unit** including sensor with control electronics to perform automatic water hygiene flushing, program-controlled thermal disinfection (additional bypass solenoid-operated flush valve cartridge necessary) and storage of statistical data. Thermostatically-controlled mixer cartridge with expansion element and active scald protection as well as adjustable and turn-proof temperature stop, and ceramic disc technology. All-metal construction, visible parts high-polished, chrome-plated. Pre-fitted chrome-plated brass shower rail with height-adjustable hand shower holder and chrome-plated brass hand shower, shower head with rain jet, diameter 110 mm, shower hose 900 mm. Housing made of stainless steel with raised function surface and cover caps made of plastic. With adjustable and lockable connections with backflow preventer and strainers. Activated hygiene flushing, fixed interval of 24 hours. With option for parameterization and communication via optional, bidirectional remote control. Optional hygiene unit for battery operation with 6 V lithium battery (CR-P2) per fitting or separate power supply via plug-in power supply unit 6.75 V/12 V DC.



Housing dimensions 235 x 1160 x 90 mm (W x H x D)

Battery compartment including battery or power supply unit with extension cable must be ordered separately.

F5LT201 2030066510

Mandatory accessories (optionally)

Battery compartment including 6 V battery

ACEX9023 3600002063

Power supply unit

ACEX9001 2030039477

Extension cable 5 m (per tap)

ACEX9010 2030043814

Optional accessories

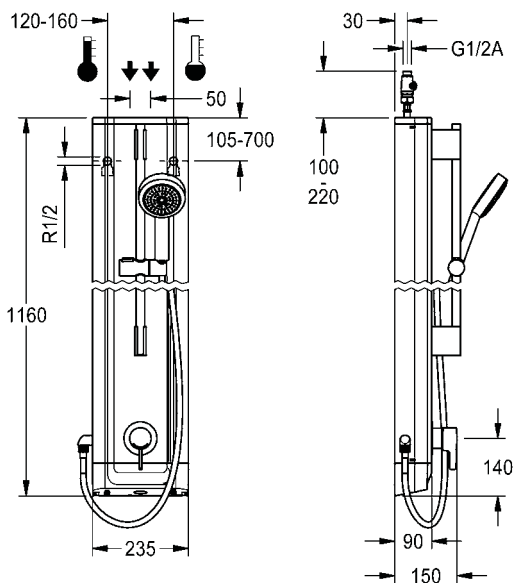
Bypass solenoid valve cartridge, 6 V DC

EAQFU0001 2030003033

Shower gel dish for push-in installation on F5 shower panels made of stainless steel

ACXX2021 2030057077

Housing extensions, bidirectional remote control, two-button remote control, see page 205 onwards



KWC F5 panels with thermostatic single-lever mixer

Type	Article Number
------	----------------



F5L-Therm stainless steel shower panel with hand shower fitting

F5L-Therm stainless-steel shower panel for wall mounting with single-lever thermostat DN 15 and hand shower fitting kit. For connection to hot and cold water. Function block with integrated mixing cartridge and mechanism for an optional water hygiene unit for automatic water hygiene flushing, program-controlled thermal disinfection (additional bypass solenoid-operated flush valve cartridge necessary) and storage of statistical data. Thermostatically-controlled mixer cartridge with expansion element and active scald protection as well as adjustable and turn-proof temperature stop, and ceramic disc technology. All-metal construction, visible parts high-polished, chrome-plated. Pre-fitted chrome-plated brass shower rail with height-adjustable hand shower holder and chrome-plated brass hand shower, shower head with rain jet, diameter 110 mm, shower hose 900 mm. Housing made of stainless steel with raised function surface and cover caps made of plastic. With adjustable and lockable connections with backflow preventer and strainers.

Housing dimensions 235 x 1160 x 90 mm (W x H x D)

F5LT203	2030066542
----------------	------------

Optional accessories

Hygiene unit for F5L single lever mixer shower panel

ACLM2003	2030057065
-----------------	------------

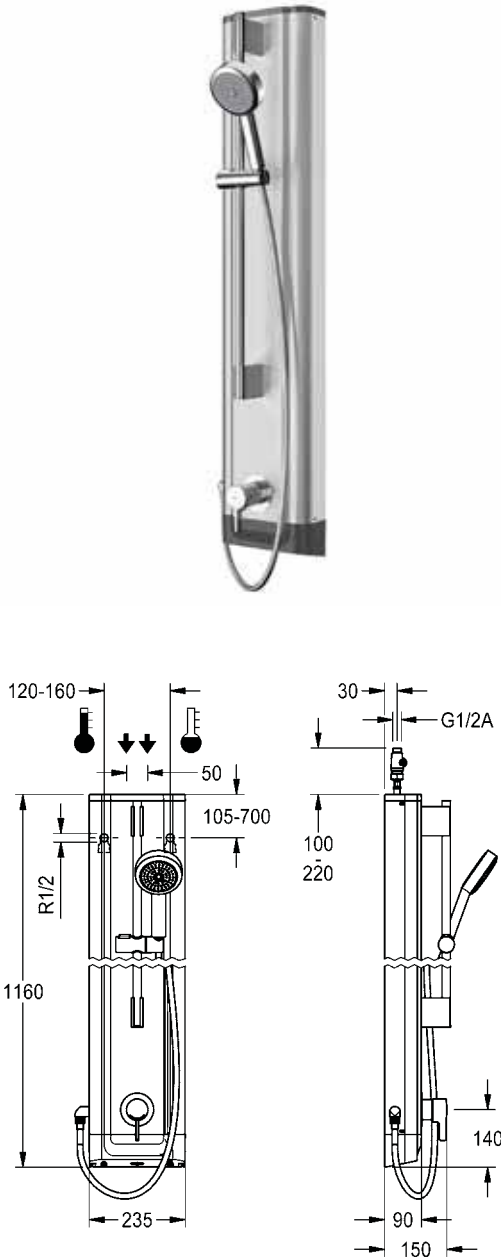
Shower gel dish for push-in installation on F5 shower panels made of stainless steel

ACXX2021	2030057077
-----------------	------------

Housing extensions see page 205

Note:

When using the ACLM2003 hygiene unit, the battery compartment and battery (ACEX9023) or the power supply unit (ACEX9001) and extension cable (ACEX9010) must be ordered separately.



Shower taps

KWC F5 panels with thermostatic single-lever mixer

Type

Article Number



F5L-Therm shower panel made of MIRANIT

F5L-Therm shower panel made from mineral material for wall mounting with single-lever thermostat DN 15 and connecting nozzle for shower head. For connection to hot and cold water. Function block with integrated mixing cartridge and **pre-assembled hygiene unit** including sensor with control electronics to perform automatic water hygiene flushing, program-controlled thermal disinfection (additional bypass solenoid-operated flush valve cartridge necessary) and storage of statistical data. Thermostatically-controlled mixer cartridge with expansion element and active scald protection as well as adjustable and turn-proof temperature stop, and ceramic disc technology. All-metal construction, visible parts high-polished, chrome-plated. Connecting nozzles for separate required DN 15 KWC shower head with pre-fitted flow regulator 9.0 l/min. Housing with raised function surface made of MIRANIT resin-bonded mineral material with pore-free smooth surface (temperature-resistant up to 80 °C), Alpine white colour. With adjustable and lockable connections with backflow preventer and strainers. Activated hygiene flushing, fixed interval of 24 hours. With option for parameterization and communication via optional, bidirectional remote control. Optional hygiene unit for battery operation with 6 V lithium battery (CR-P2) per fitting or separate power supply via plug-in power supply unit 6.75 V/12 V DC.

Housing dimensions 235 x 1160 x 100 mm (W x H x D)

Shower head and battery compartment including battery or power supply unit with extension cable must be ordered separately.

F5LT2024 2030066543

Mandatory accessories (optionally)

AQUAJET-Slimline shower head for F5 shower panels

SHAS0011 2030054255

AQUAJET-Comfort shower head for F5 shower panels

SHAC0011 2030054254

MÜNCHEN shower head for F5 shower panels

SHMU0011 2030054793

Battery compartment including 6 V battery

ACEX9023 3600002063

Power supply unit

ACEX9001 2030039477

Extension cable 5 m (per tap)

ACEX9010 2030043814

Optional accessories

Flow controller 6.0 l/min

ESHHE0004 2030027586

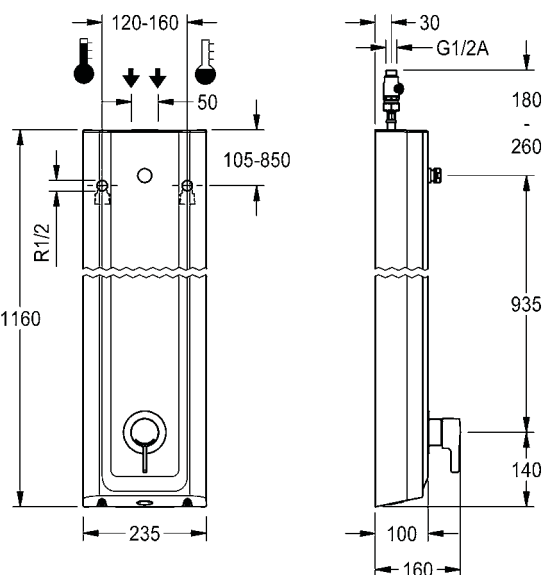
Flow controller 12.0 l/min

ESHHE0002 2000104783

Bypass solenoid valve cartridge, 6 V DC

EAQFU0001 2030003033

Housing extensions, bidirectional remote control, two-button remote control, see page 205 onwards



KWC F5 panels with thermostatic single-lever mixer

Type Article Number



F5L-Therm shower panel made of MIRANIT

F5L-Therm shower panel made from mineral material for wall mounting with single-lever thermostat DN 15 and connecting nozzle for shower head. For connection to hot and cold water. Function block with integrated mixing cartridge and mechanism for an optional water hygiene unit for automatic water hygiene flushing, program-controlled thermal disinfection (additional bypass solenoid-operated flush valve cartridge necessary) and storage of statistical data. Thermostatically-controlled mixer cartridge with expansion element and active scald protection as well as adjustable and turn-proof temperature stop, and ceramic disc technology. All-metal construction, visible parts high-polished, chrome-plated. Connecting nozzles for separate required DN 15 KWC shower head with pre-fitted flow regulator 9.0 l/min. Housing with raised function surface made of MIRANIT resin-bonded mineral material with pore-free smooth surface (temperature-resistant up to 80 °C), Alpine white colour. With adjustable and lockable connections with backflow preventer and strainers.

Housing dimensions 235 x 1160 x 100 mm (W x H x D)

Shower head must be ordered separately.

F5LT2027 2030066547

Mandatory accessories (optionally)

AQUAJET-Slimline shower head for F5 shower panels

SHAS0011 2030054255

AQUAJET-Comfort shower head for F5 shower panels

SHAC0011 2030054254

MÜNCHEN shower head for F5 shower panels

SHMU0011 2030054793

Optional accessories

Flow controller 6.0 l/min

ESHHE0004 2030027586

Flow controller 12.0 l/min

ESHHE0002 2000104783

Hygiene unit for F5L single lever mixer shower panel

ACLM2003 2030057065

Housing extensions see page 205

Note:

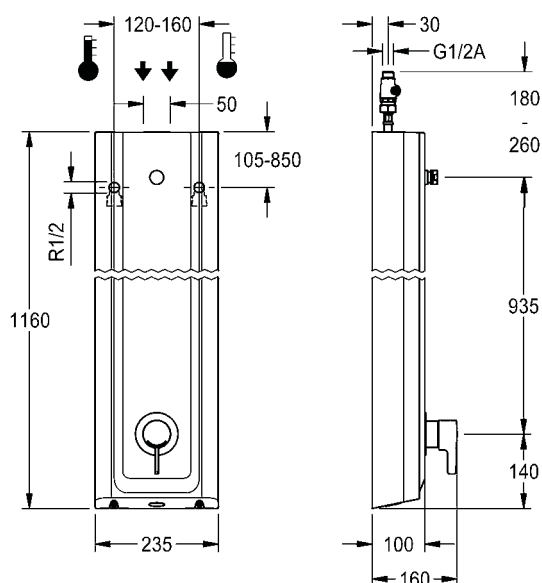
When using the ACLM2003 hygiene unit, the battery compartment and battery (ACEX9023) or the power supply unit (ACEX9001) and extension cable (ACEX9010) must be ordered separately.



SHAS0011

SHAC0011

SHMU0011



Shower taps

KWC F5 panels with thermostatic single-lever mixer

Type

Article Number



F5L-Therm shower panel made of MIRANIT with shower gel shelf

F5L-Therm shower panel made from mineral material for wall mounting with single-lever thermostat DN 15 and connecting nozzle for shower head. For connection to hot and cold water. Function block with integrated mixing cartridge and **pre-assembled hygiene unit** including sensor with control electronics to perform automatic water hygiene flushing, program-controlled thermal disinfection (additional bypass solenoid-operated flush valve cartridge necessary) and storage of statistical data. Thermostatically-controlled mixer cartridge with expansion element and active scald protection as well as adjustable and turn-proof temperature stop, and ceramic disc technology. All-metal construction, visible parts high-polished, chrome-plated. Connecting nozzles for separate required DN 15 KWC shower head with pre-fitted flow regulator 9.0 l/min. Housing with raised function surface and seamless moulded shower gel shelf made of MIRANIT resin-bonded mineral material with pore-free smooth surface (temperature-resistant up to 80 °C), Alpine white colour. With adjustable and lockable connections with backflow preventer and strainers. Activated hygiene flushing, fixed interval of 24 hours. With option for parameterization and communication via optional, bidirectional remote control. Optional hygiene unit for battery operation with 6 V lithium battery (CR-P2) per fitting or separate power supply via plug-in power supply unit 6.75 V/12 V DC.

Housing dimensions 235 x 1160 x 100 mm (W x H x D)

Shower head and battery compartment including battery or power supply unit with extension cable must be ordered separately.

F5LT2026 2030066546

Mandatory accessories (optionally)

AQUAJET-Slimline shower head for F5 shower panels

SHAS0011 2030054255

AQUAJET-Comfort shower head for F5 shower panels

SHAC0011 2030054254

MÜNCHEN shower head for F5 shower panels

SHMU0011 2030054793

Battery compartment including 6 V battery

ACEX9023 3600002063

Power supply unit

ACEX9001 2030039477

Extension cable 5 m (per tap)

ACEX9010 2030043814

Optional accessories

Flow controller 6.0 l/min

ESHHE0004 2030027586

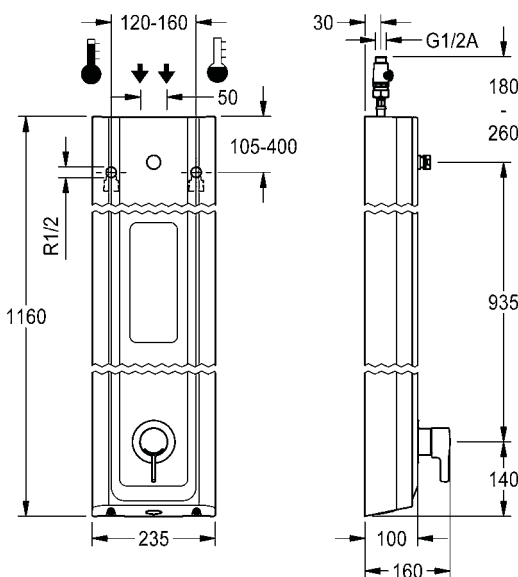
Flow controller 12.0 l/min

ESHHE0002 2000104783

Bypass solenoid valve cartridge, 6 V DC

EAQFU0001 2030003033

Housing extensions, bidirectional remote control, two-button remote control, see page 205 onwards



KWC F5 panels with thermostatic single-lever mixer

Type Article Number



F5L-Therm shower panel made of MIRANIT with shower gel shelf

F5L-Therm shower panel made from mineral material for wall mounting with single-lever thermostat DN 15 and connecting nozzle for shower head. For connection to hot and cold water. Function block with integrated mixing cartridge and mechanism for an optional water hygiene unit for automatic water hygiene flushing, program-controlled thermal disinfection (additional bypass solenoid-operated flush valve cartridge necessary) and storage of statistical data. Thermostatically-controlled mixer cartridge with expansion element and active scald protection as well as adjustable and turn-proof temperature stop, and ceramic disc technology. All-metal construction, visible parts high-polished, chrome-plated. Connecting nozzles for separate required DN 15 KWC shower head with pre-fitted flow regulator 9.0 l/min. Housing with raised function surface and seamless moulded shower gel shelf made of MIRANIT resin-bonded mineral material with pore-free smooth surface (temperature-resistant up to 80 °C), Alpine white colour. With adjustable and lockable connections with backflow preventer and strainers.

Housing dimensions 235 x 1160 x 100 mm (W x H x D)

Shower head must be ordered separately.

F5LT2029 2030066549

Mandatory accessories (optionally)

AQUAJET-Slimline shower head for F5 shower panels

SHAS0011 2030054255

AQUAJET-Comfort shower head for F5 shower panels

SHAC0011 2030054254

MÜNCHEN shower head for F5 shower panels

SHMU0011 2030054793

Optional accessories

Flow controller 6.0 l/min

ESHHE0004 2030027586

Flow controller 12.0 l/min

ESHHE0002 2000104783

Hygiene unit for F5L single lever mixer shower panel

ACLM2003 2030057065

Housing extensions see page 205

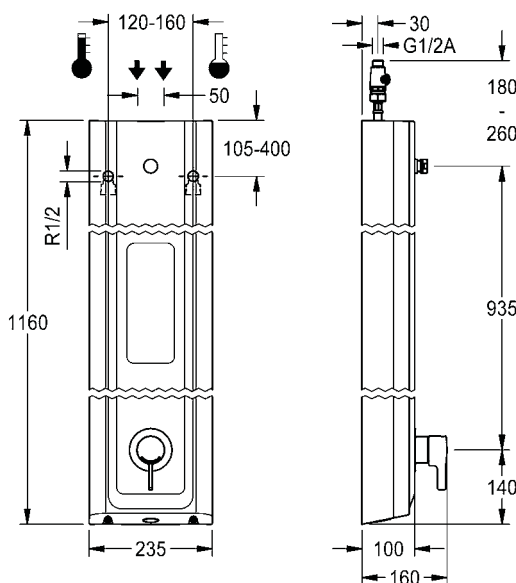
Note: When using the ACLM2003 hygiene unit, the battery compartment and battery (ACEX9023) or the power supply unit (ACEX9001) and extension cable (ACEX9010) must be ordered separately.



SHAS0011

SHAC0011

SHMU0011



Shower taps

KWC F5 panels with thermostatic single-lever mixer

Type

Article Number



F5L-Therm shower panel made of MIRANIT with hand shower fitting

F5L-Therm shower panel made from mineral material for wall mounting with single-lever thermostat DN 15 and hand shower fitting kit. For connection to hot and cold water. Function block with integrated mixing cartridge and pre-assembled hygiene unit including sensor with control electronics to perform automatic water hygiene flushing, program-controlled thermal disinfection (additional bypass solenoid-operated flush valve cartridge necessary) and storage of statistical data. Thermostatically-controlled mixer cartridge with expansion element and active scald protection as well as adjustable and turn-proof temperature stop, and ceramic disc technology. All-metal construction, visible parts high-polished, chrome-plated. Pre-fitted chrome-plated brass shower rail with height-adjustable hand shower holder and chrome-plated plastic hand shower, shower head with rain jet, diameter 110 mm, shower hose 900 mm. Housing with raised function surface made of MIRANIT resin-bonded mineral material with pore-free smooth surface (temperature-resistant up to 80 °C), Alpine white colour. With adjustable and lockable connections with backflow preventer and strainers. Activated hygiene flushing, fixed interval of 24 hours. With option for parameterization and communication via optional, bidirectional remote control. Optional hygiene unit for battery operation with 6 V lithium battery (CR-P2) per fitting or separate power supply via plug-in power supply unit 6.75 V/12 V DC.



Housing dimensions 235 x 1160 x 100 mm (W x H x D)

Battery compartment including battery or power supply unit with extension cable must be ordered separately.

F5LT2025 2030066544

Mandatory accessories (optionally)

Battery compartment including 6 V battery

ACEX9023 3600002063

Power supply unit

ACEX9001 2030039477

Extension cable 5 m (per tap)

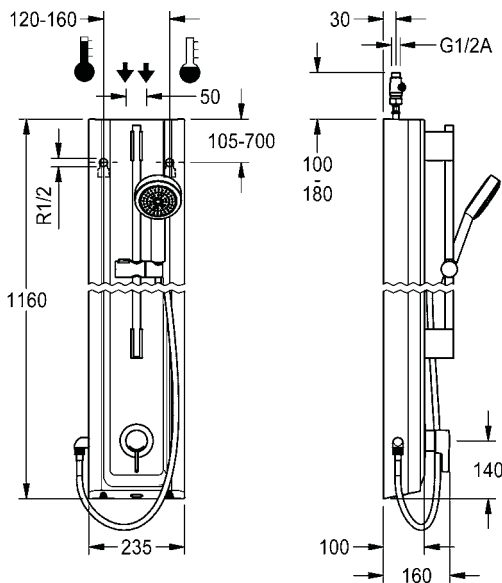
ACEX9010 2030043814

Optional accessories

Bypass solenoid valve cartridge, 6 V DC

EAQFU0001 2030003033

Housing extensions, bidirectional remote control, two-button remote control, see page 205 onwards



KWC F5 panels with thermostatic single-lever mixer

Type

Article Number



F5L-Therm shower panel made of MIRANIT with hand shower fitting

F5L-Therm shower panel made from mineral material for wall mounting with single-lever thermostat DN 15 and hand shower fitting kit. For connection to hot and cold water. Function block with integrated mixing cartridge and mechanism for an optional water hygiene unit for automatic water hygiene flushing, program-controlled thermal disinfection (additional bypass solenoid-operated flush valve cartridge necessary) and storage of statistical data. Thermostatically-controlled mixer cartridge with expansion element and active scald protection as well as adjustable and turn-proof temperature stop, and ceramic disc technology. All-metal construction, visible parts high-polished, chrome-plated. Pre-fitted chrome-plated brass shower rail with height-adjustable hand shower holder and chrome-plated plastic hand shower, shower head with rain jet, diameter 110 mm, shower hose 900 mm. Housing with raised function surface made of MIRANIT resin-bonded mineral material with pore-free smooth surface (temperature-resistant up to 80 °C), Alpine white colour. With adjustable and lockable connections with backflow preventer and strainers.

Dimensions of housing 235 x 1160 x 100 mm (W x H x D)

F5LT2028 2030066548

Optional accessories

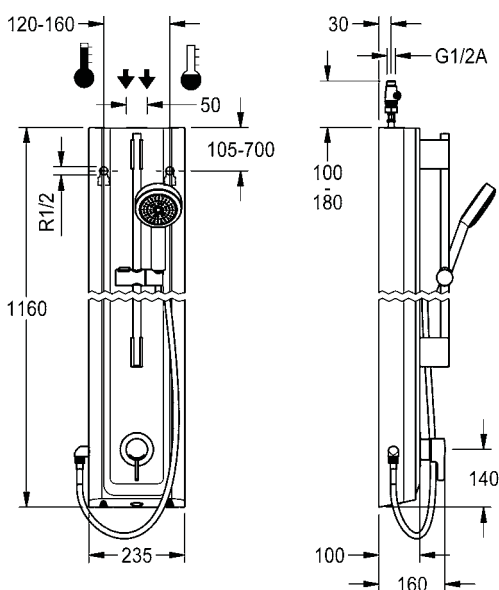
Hygiene unit for F5L single lever mixer shower panel

ACLM2003 2030057065

Housing extensions see page 205

Note:

When using the ACLM2003 hygiene unit, the battery compartment and battery (ACEX9023) or the power supply unit (ACEX9001) and extension cable (ACEX9010) must be ordered separately.



Shower taps

KWC F3 shower panel with waterfall shower

Type

Article Number

NEW

F3S shower panel made of stainless steel with waterfall shower

F3S shower panel made of stainless steel for wall mounting with DN 20 self-closing gate valve and waterfall shower. Hydraulically controlled, for connection from above to pre-mixed hot or cold water. Self-closing functional part, piston-free design, self-closing and stepless adjustment of flow duration. Valve housing including shuttle valve seat, visible parts polished chrome-plated. DN 15 waterfall shower with ball joint and rosette. Adjustable jet tilt angle 28°. Polished chromium-plated brass. Stainless steel housing with raised function surface and plastic cover caps. Connecting hose with lockable water flow regulator and strainer.

Dimensions of housing 235 x 1160 x 90 mm (W x H x D)

F3SV2015

3600007158

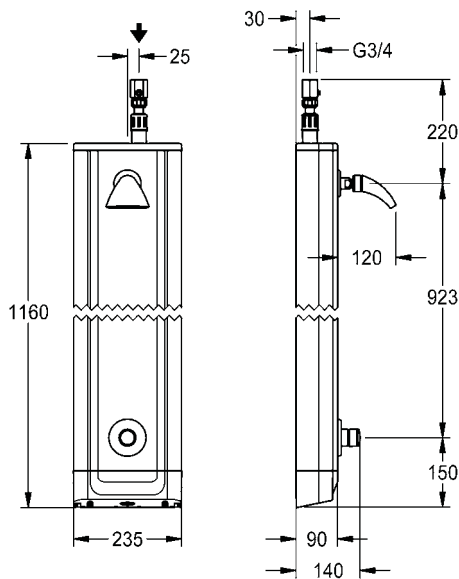
Optional accessories

Shower gel dish for push-in installation on F5 shower panels made of stainless steel

ACXX2021

2030057077

Housing extensions, see page 205 onwards



KWC F3 shower panel with waterfall shower

Type

Article Number

NEW

F3S shower panel made of MIRANIT with waterfall shower

F3S shower panel made of mineral material for wall mounting with DN 20 self-closing gate valve and waterfall shower. Hydraulically controlled, for connection from above to pre-mixed hot or cold water. Self-closing functional part, piston-free design, self-closing and stepless adjustment of flow duration. Valve housing including shuttle valve seat, visible parts polished chrome-plated. DN 15 waterfall shower with ball joint and rosette. Adjustable jet tilt angle 28°. Polished chromium-plated brass. Housing with raised function surface made of MIRANIT resin-bonded mineral material with pore-free smooth surface (temperature-resistant up to 80 °C), Alpine white colour. Connecting hose with lockable water flow regulator and strainer.

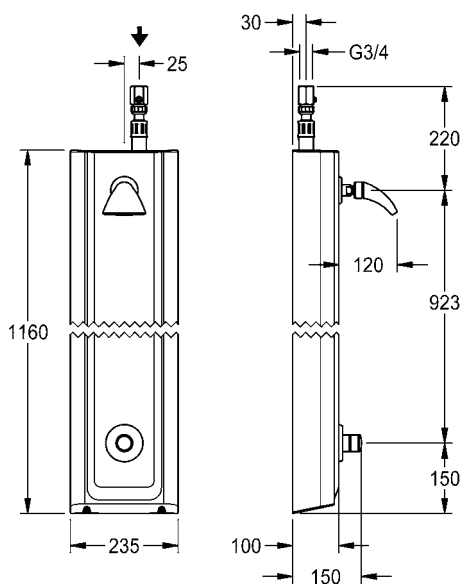
Dimensions of housing 235 x 1160 x 100 mm (W x H x D)

F3SV2016

3600007159

Optional accessories

Housing extensions, see page 205 onwards



KWC Free-standing shower

Type

Article Number

NEW

F3S free-standing shower

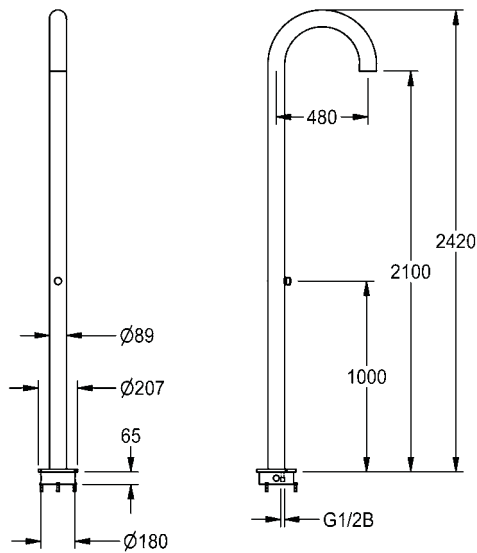
F3S free-standing shower made of stainless steel for free-standing installation, material 1.4404, surface ground, material thickness 3 mm, with mounting base for installation on the unfinished floor. Water connection from below to pre-mixed hot or cold water. Mounting stand with DN 15 integrated self-closing gate valve, hydraulically controlled, piston-free design, self-closing, fully adjustable flow time, visible parts in polished chromium-plated brass as well as stainless steel shower base with anti-limescale system, includes mounting material.

Dimensions 207 x 2420 x 630 mm (W x H x D)

Pipe diameter 89 mm

F3SV2014

3600006748





Shower taps

KWC AQUAPAY coin-operated controllers



KWC AQUAPAY coin-operated controllers

Type	Article Number
------	----------------



AQUAPAY coin-operated controller

AQUAPAY coin-operated controller for chargeable water delivery for controlling one A3000 open shower fitting. Shower duration for one token is selectable in steps of one second up to a total of 8 minutes, preset to 3 minutes. Automatic interruption of shower-duration when water is not being withdrawn. Rugged stainless steel housing for on-wall mounting with safety lock. Model for tokens, 24 V DC.

Dimensions 240 x 220 x 130 mm (W x H x D)

AQUA800	2000100340
For € 0.50	
AQUA801	2000100342

Mandatory accessories

Token for AQUAPAY coin-operated controller, packaging unit: 50 pieces

ZAQRP001	2000100751
-----------------	------------

Note:

In combination with F5 taps, the following electronic module must be used instead of the EM5 electronic module (ACET2001 and ACEV2004):

Electronic module EM1 with ID 07080 and electronic T-distribution.

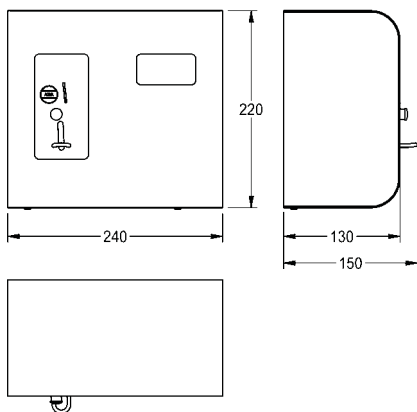
For integration in the AQUA 3000 open water management system in combination with a coin-operated contactor **for a shower fitting for connection to hot and cold water**, 24 V DC.

ACET2006	2030052502
-----------------	------------

Electronic module EM1 with ID 07110 and electronic T-distribution.

For integration in the AQUA 3000 open water management system in combination with a coin-operated contactor **for a shower fitting for connection to pre-mixed hot water or cold water**, 24 V DC.

ACEV2005	2030058735
-----------------	------------



AQUAPAY coin-operated controller

AQUAPAY coin-operated controller for chargeable water delivery for controlling 2-31 A3000 open shower fittings. Display for user guide and showing free showers, selectable via key. Shower duration for one token is selectable in steps of one second up to a total of 8 minutes, preset to 3 minutes. Automatic interruption of shower-duration when water is not being withdrawn. Rugged stainless steel housing for on-wall mounting with safety lock.

Model for tokens, 24 V DC.

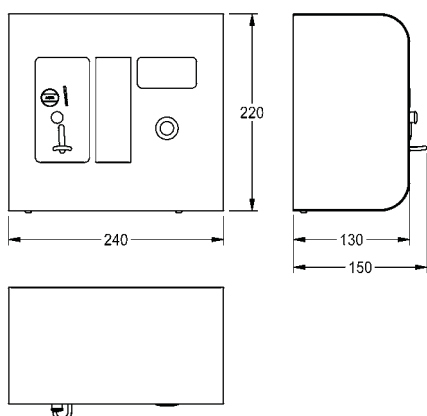
Dimensions 240 x 220 x 130 mm (W x H x D)

AQUA802	2000100418
For € 0.50	
AQUA803	2000100419

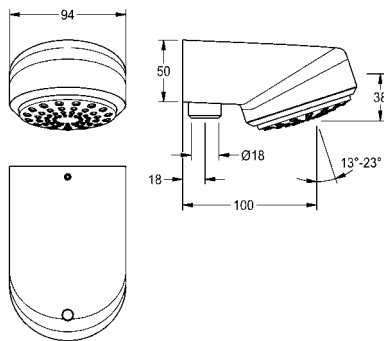
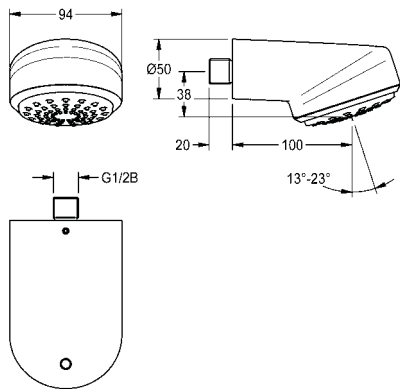
Mandatory accessories

Token for AQUAPAY coin-operated controller, packaging unit: 50 pieces

ZAQRP001	2000100751
-----------------	------------



KWC Shower heads



Type	Article Number
------	----------------

AQUAJET-Comfort shower head for wall connection

AQUAJET-Comfort DN 15 shower head with plastic jet face continuously adjustable between 13–23°, anti-limescale system and low aerosol formation. For wall connector with insertable connecting nozzle, diameter 26 mm, high-polished chrome-plated brass housing, with integrated flow regulator 9.0 l/min, ready for installation of anti-twist protection.

Also suitable for shower trays, 800 x 800 mm.

SHAC0013	2030055724
-----------------	------------

Optional accessories

Flow controller 6.0 l/min

ESHHE0004	2030027586
------------------	------------

Flow controller 12.0 l/min

ESHHE0002	2000104783
------------------	------------

Anti-twist protection set

ZAQUA004	2000101108
-----------------	------------

Adhesive flange for shower heads DN 15, for in-wall installation

ZAQUA701	2000101467
-----------------	------------

Mounting bar for shower head installation in drywall

ZCMPX005	2000104310
-----------------	------------

AQUAJET-Comfort shower head

AQUAJET-Comfort shower head DN 15 with infinitely angle-adjustable plastic jet face 13° - 23°, anti-calcification system and low aerosol formation. Model for surface pipe installation 18 mm and enclosed flow controllers 6.0 l/min, 9.0 l/min and 12.0 l/min. Housing polished chromium-plated brass.

Also suitable for shower trays, 800 x 800 mm.

SHAC0008	2030021283
-----------------	------------

Optional accessories

Shower pipe for wall mounting for connection to F5S self-closing shower fittings, polished, chrome-plated brass, with union nut.

Diameter 18 x 0.8 mm, length 1200 mm, crank 75 mm

ACSX2002	2030041522
-----------------	------------

Shower pipe for wall mounting for connection to F3S self-closing shower fittings, polished, chrome-plated brass, with union nut.

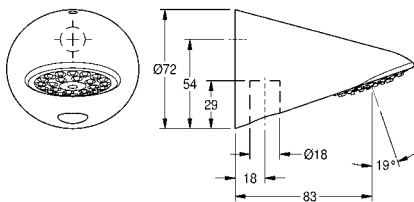
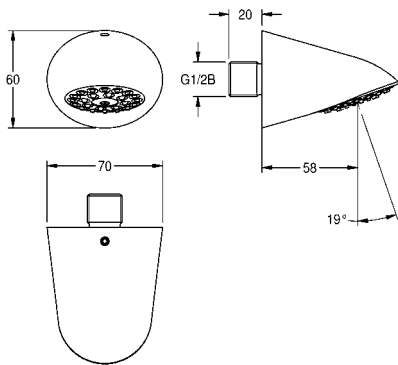
Diameter 18 x 0.8 mm, length 1200 mm, crank 39 mm

ACSX2001	2030039555
-----------------	------------

Shower pipe for wall mounting for connection to F5E-Therm electronic shower fittings and F5L-Mix lever mixer, polished, chrome-plated brass, with union nut. Diameter 18 x 0.8 mm, length 1200 mm, crank 96 mm

ACXX2003	2030041525
-----------------	------------

KWC Shower heads



Type	Article Number
------	----------------

AQUAJET-Slimline shower head for wall connection

AQUAJET-Slimline shower head DN 15 with plastic jet face with anti-calcification system and low aerosol formation, for wall connection, polished chromium-plated brass. With flow controller 9.0 l/min.

AQUA751	2000065932
----------------	------------

Optional accessories

Flow controller 6.0 l/min	
---------------------------	--

ESHHE0004	2030027586
------------------	------------

Flow controller 12.0 l/min	
----------------------------	--

ESHHE0002	2000104783
------------------	------------

Anti-twist protection set	
---------------------------	--

ZAQUA004	2000101108
-----------------	------------

Adhesive flange for shower heads DN 15, for in-wall installation	
--	--

ZAQUA701	2000101467
-----------------	------------

Mounting bar for shower head installation in drywall	
--	--

ZCMPX005	2000104310
-----------------	------------

AQUAJET-Slimline shower head

AQUAJET-Slimline shower head DN 15 with plastic jet face with anti-calcification system and low aerosol formation, for surface pipe mounting, polished chromium-plated brass. With flow controllers 9.0 l/min and 12.0 l/min.

AQUA757	2000103757
----------------	------------

Optional accessories

Shower pipe for wall mounting for connection to F5S self-closing shower fittings, polished, chrome-plated brass, with union nut.

Diameter 18 x 0.8 mm, length 1200 mm, crank 75 mm	
---	--

ACSX2002	2030041522
-----------------	------------

Shower pipe for wall mounting for connection to F3S self-closing shower fittings, polished, chrome-plated brass, with union nut.

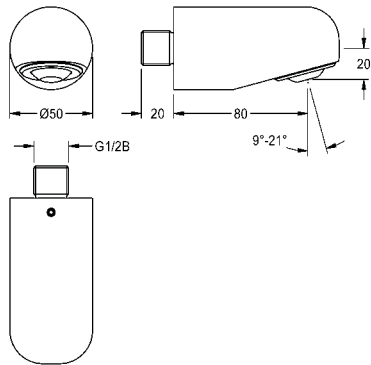
Diameter 18 x 0.8 mm, length 1200 mm, crank 39 mm	
---	--

ACSX2001	2030039555
-----------------	------------

Shower pipe for wall mounting for connection to F5E-Therm electronic shower fittings and F5L-Mix lever mixer, polished, chrome-plated brass, with union nut. Diameter 18 x 0.8 mm, length 1200 mm, crank 96 mm

ACXX2003	2030041525
-----------------	------------

KWC Shower heads



Type	Article Number
------	----------------

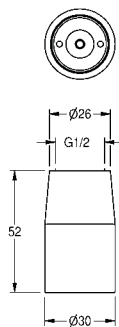
MÜNCHEN shower head for wall connection

MÜNCHEN DN 15 shower head with shower jet continuously adjustable between 9–21°, for wall connector with insertable connecting nozzle, diameter 26 mm. High-polished chrome-plated brass housing with integrated flow regulator 9.0 l/min.

SHMU0012	2030055723
-----------------	------------

Optional accessories

Flow controller 6.0 l/min	ESHHE0004	2030027586
Flow controller 12.0 l/min	ESHHE0002	2000104783
Adhesive flange for shower heads DN 15, for in-wall installation	ZAQUA701	2000101467
Mounting bar for shower head installation in drywall	ZCMPX005	2000104310



Shower jet nozzle

Jet shower head DN 15, polished chromium-plated brass, connection G 1/2. With flow controller 9.0 l/min.

AQRM706	2000100899
----------------	------------

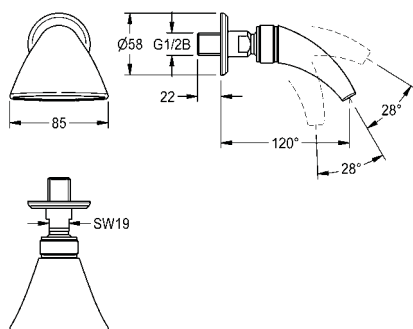
With 12,0 l/min flow regulator

AQRM707	2000100900
----------------	------------

Optional accessories

Wall arm with fixed wall flange, high-polished chrome-plated brass

ZAQUA033	2000100914
-----------------	------------

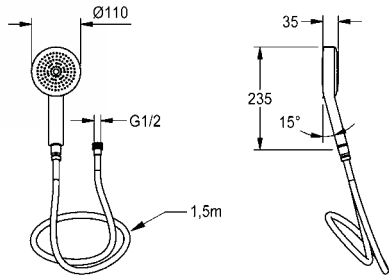


Drench shower for wall mounting

Drench shower DN 15 with ball joint for wall mounting. With shower head, projection 120 mm and rosette. Adjustable spray angle 28°. Chromium-plated brass. Volume flow 61.8 l/min at 3 bar flow pressure

SHHE0004	2030034417
-----------------	------------

KWC Shower heads, shower trays



Type	Article Number
------	----------------

Hand shower

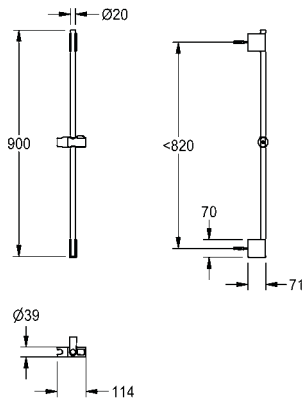
Hand shower made from chrome-plated plastic with rain jet, one jet type, diameter 110 mm, anti-scale system and low aerosol formation. Including nylon-reinforced, chrome-coloured shower hose. With twistable conical hand shower connection G 1/2 and knurled tap connection G 1/2, length 1500 mm.

ACXX2007	2030051216
-----------------	------------

Optional accessories

Shower bracket with shower holder

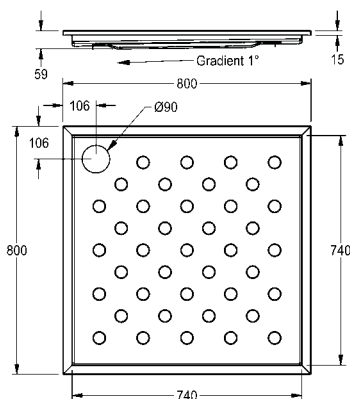
ACXX2008	2030051217
-----------------	------------



Shower bracket

Chrome-plated brass shower slider bar with two wall-mounted brackets. Adjustable shower holder with pushbutton operation, made from chrome-plated plastic. Length 900 mm, diameter 20 mm, including mounting material.

ACXX2008	2030051217
-----------------	------------



CAMPUS Shower tray

CAMPUS shower tray, for flush mounting, stainless steel, satin-finished surface, material thickness 1.2 mm, welded corners, with anti-slip floor profile and slope towards waste, waste diameter 90 mm, earthing lug.

Dimensions 800 x 59 x 800 mm (W x H x D)

Shower tray waste needs to be ordered separately.

CMPX401N	2030068013
-----------------	------------

Dimensions 900 x 59 x 900 mm (W x H x D)

CMPX404N	2030068014
-----------------	------------

Optional accessories

Shower tray drain 90 mm, plastic, siphoning height 50 mm, including dip tube and siphon.

ECMPX018	2000103391
-----------------	------------

KWC Shower heads and accessories for F5 shower panels

Type	Article Number
------	----------------



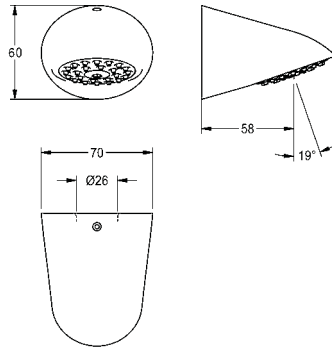
AQUAJET-Slimline shower head for KWC shower panels and systems

AQUAJET-Slimline shower head with plastic jet face with anti-limescale system and low aerosol formation, for installation on KWC shower panels and shower systems with pre-mounted connecting nozzles DN 15, diameter 26 mm, polished chromium-plated brass.

SHAS0011	2030054255
-----------------	------------



for installation on F5 shower panels



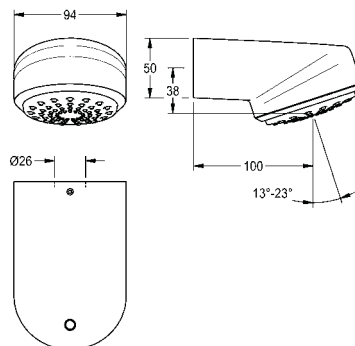
AQUAJET-Comfort shower head for KWC shower panels and systems

AQUAJET-Comfort shower head with plastic jet face continuously adjustable between 13° - 23°, anti-limescale system and low aerosol formation. For installation on KWC shower panels and shower systems with pre-mounted connecting nozzles DN 15, diameter 26 mm, polished chromium-plated brass housing.

SHAC0011	2030054254
-----------------	------------



for installation on F5 shower panels



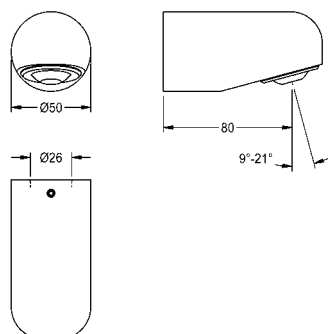
MÜNCHEN shower head for KWC shower panels and systems

MÜNCHEN shower head with continuously adjustable shower jet between 9° - 21°, for installation on KWC shower panels and shower systems with pre-mounted connecting nozzles DN 15, diameter 26 mm. polished chromium-plated brass housing.

SHMU0011	2030054793
-----------------	------------



for installation on F5 shower panels



KWC Shower heads and accessories for F5 shower panels

Type **Article Number**



Housing extension for F5 shower panels made of stainless steel

Housing extension made of stainless steel, height-adjustable, for F5 shower panels made of stainless steel, to cover wall-mounted pipe installations, includes mounting materials.

Housing dimensions approx. 200 x 110–170 mm (W x H)

ACXX2011 2030057066

Housing dimensions approx. 200 x 160–250 mm (W x H)

ACXX2012 2030057067

Housing dimensions approx. 200 x 240–410 mm (W x H)

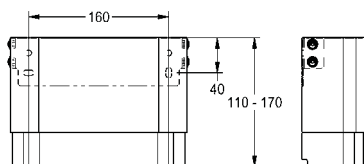
ACXX2013 2030057068

Housing dimensions approx. 200 x 400–660 mm (W x H)

ACXX2014 2030057069

Housing dimensions approx. 200 x 650–960 mm (W x H)

ACXX2015 2030057070



Shower gel dish for F5 shower panels made of stainless steel

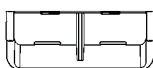
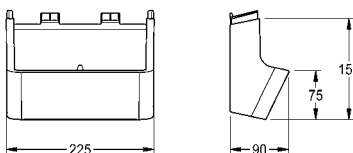
Shower gel dish made of plastic, for push-in installation on F5 shower panels made of stainless steel.

Dimensions 225 x 153 x 89 mm (W x H x D)

ACXX2021 2030057077



View of mounted shower gel dish



Housing extension for F5 shower panels made of MIRANIT

Housing extension made of stainless steel, powder-coated Alpine white colour, height-adjustable, for F5 shower panels made of MIRANIT mineral material, to cover wall-mounted pipe installations, includes mounting material.

Housing dimensions approx. 200 x 110–170 mm (W x H)

ACXX2016 2030057071

Housing dimensions approx. 200 x 160–250 mm (W x H)

ACXX2017 2030057072

Housing dimensions approx. 200 x 240–410 mm (W x H)

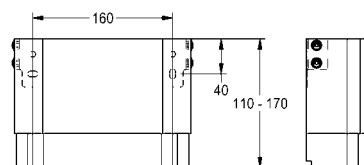
ACXX2018 2030057073

Housing dimensions approx. 200 x 400–660 mm (W x H)

ACXX2019 2030057075

Housing dimensions approx. 200 x 650–960 mm (W x H)

ACXX2020 2030057076



Type	Article Number
------	----------------

Bent outlet

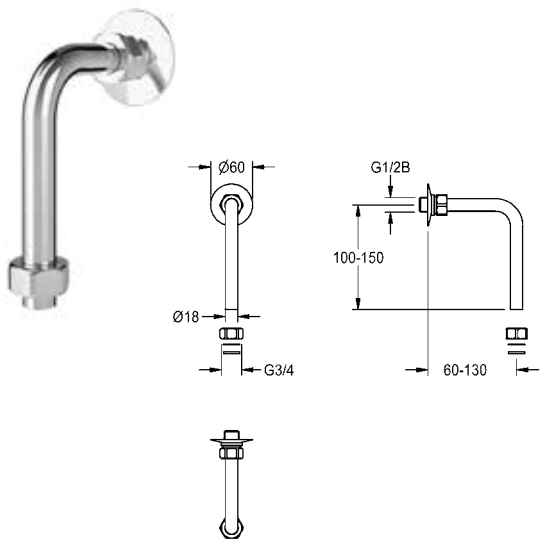
Bent outlet 120 x 150 mm, with reduction nipple G 1/2 B and 2 pinch union nuts G 3/4 x 18 mm. Chromium-plated brass.

Maximum mounting dimension 130 x 134 mm

ACXX2005 2030050434

Bent outlet 120 x 500 mm, maximum mounting dimension 130 x 484 mm

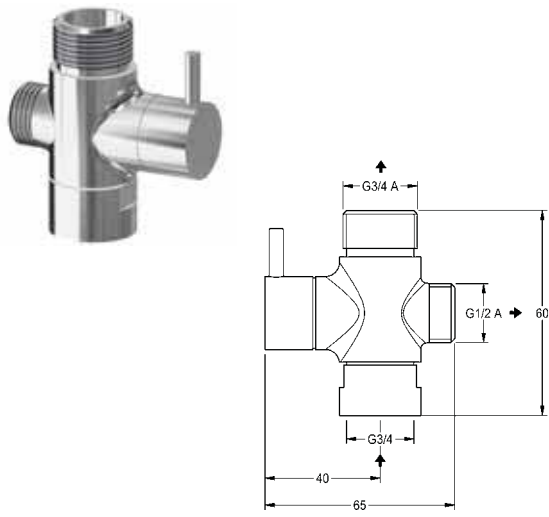
ACXX2006 2030050435



Diverter for hand shower

Diverter for hand shower, for surface mounting, for switch between shower head and hand shower.

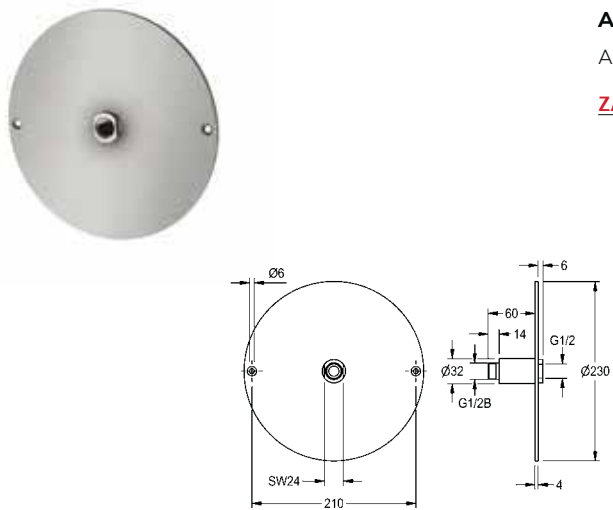
ACXX2004 2030041561

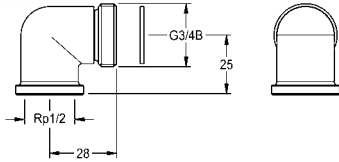


Adhesive flange

Adhesive flange made of stainless steel for shower head installation.

ZAQUA701 2000101467



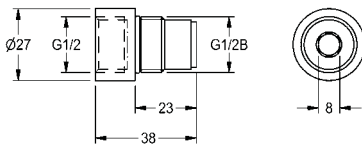


Type _____ **Article Number** _____

Connection set for shower panel

Connection set for showerpanel for installed flush-mounting cabinet 195 x 215 mm, consisting of elbow 90°, G 1/2 x G 3/4 B and seal, packing unit 2 pieces.

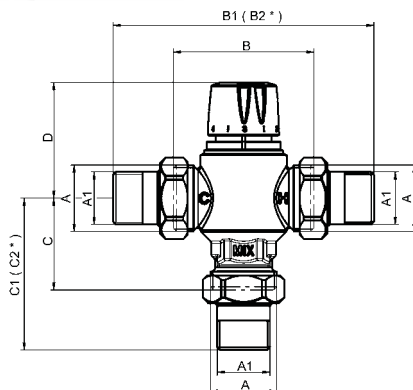
ZSHOW0006 _____ 2000104916 _____



Connection adapter

Connecting adapter for hose connection for shower panels with existing built-in shower valve DN 15.

AQRM928 _____ 2000101441 _____



PURETHERM - Thermostatic mixing unit

PURETHERM - thermostatically controlled mixing unit DN 15 for a constant temperature water supply of pre-mixed warm water, with connection unions, non-return valves and dirt strainers. Temperature selector for adjusting the temperature from 30 to 65 °C. Thermostat with expansion element (wax) and fastening made of brass, stainless steel springs, housing made of raw brass. Volume flow 38 l/min at a flow pressure of 3 bar (free outlet).

PURE0025 _____ 2000111051 _____

DN 20, 49 l/min volume flow at 3 bar flow pressure (free outlet)

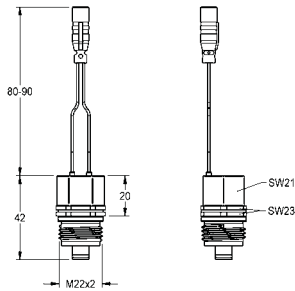
PURE0026 _____ 2000111052 _____

DN 25, 84 l/min volume flow at 3 bar flow pressure (free outlet)

PURE0027 _____ 2000111053 _____

DN	A	A1	B	B1	B2*	C	C1	C2*	D
15	G¾	G½	58	104	108	42	65	67	52
20	G1	G¾	66	126	125	45,5	75,5	75	54
25	G1 1/4	G1	89	165	165	58	96	96	73

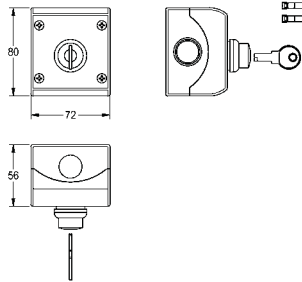
Type Article Number



Solenoid valve cartridge

Bypass solenoid valve cartridge with waterproof plug and grit filter as a retrofitting set for performing thermal disinfections, 24 V DC.

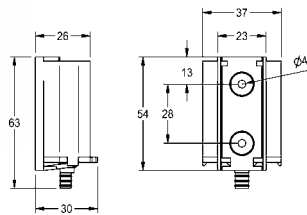
ZCTRL0001 2000111145



Key switch

Key switch, button for on-wall installation, lockable in both key positions, removable key. Maximum operating voltage 230 V AC.

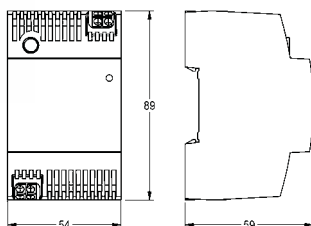
ZAQUA022 2000102675



Battery compartment

Battery compartment with holder and 6 V lithium battery (CR-P2).

ACEX9023 3600002063



Power supply unit

Power supply unit for switching system installation (TS35) for power supply to AQUA 3000 open taps with a 100 m maximum cable length, 100 V AC-240 V AC/24 V DC, 60 W.

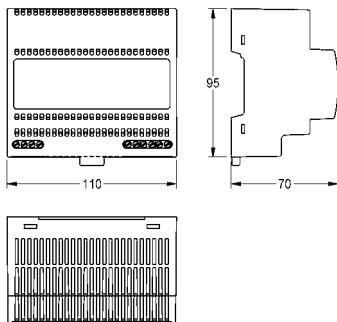
ASEX1031 2030068573

Type	Article Number
------	----------------

Power supply unit

Mains unit, for central power supply, operating voltage 100-240 V AC, output voltage switchable between 7 V DC, 31.5 W or 12 V DC, 50 W.

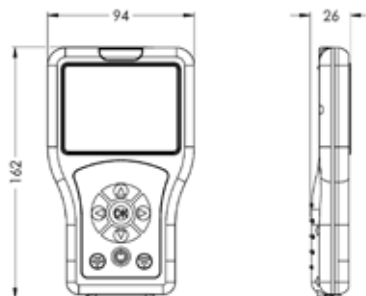
ACEX9001	2030039477
-----------------	------------



Bidirectional remote control for electronic fittings F3 and F5

Bidirectional remote control for setting function parameters, storage fitting profiles and statistical data for electronic fittings F3 and F5 as well as hygiene units. Parameter display on menu-driven color screen. With internal rechargeable battery, USB port for transfer of fitting specific statistical data as CSV file to PC. With possibility to import firmware files. Including protective bag and USB connecting cable.

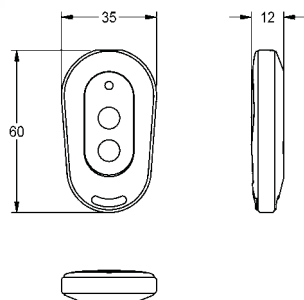
ACEX9005	2030036654
-----------------	------------



2-button remote control for fittings F3 and F5

2 buttons remote control for fittings F3 and F5 for activation cleaning switch-off for 1 minute and deactivation/activation of hygiene flush.

ACEX9004	2030036849
-----------------	------------





AQUA 3000 open water management system

The requirements made of sanitary facilities in highly frequented and safety-relevant areas are continuously increasing. The AQUA 3000 open water management system, which consists of taps and accessories, sets modern benchmarks with regard to system security, economy, user-friendliness and hygiene in sanitary facilities. Different control functions are made possible for washing, showering or flushing, such as a variety of statistics functions, simple parameterisation settings, time-controlled hygienic flushes and automatic thermal disinfections.

AQUA 3000 open

Short description water management system	212
AQUA 3000 open tap overview	214
AQUA 3000 open system accessories	216

KWC Short description water management system

AQUA 3000 open can be integrated into any sanitary facility in the building network and connected to existing building management systems using various data protocols. The ECC2 function controller constitutes the transfer point to the building network, it communicates with the respective fitting via the electronic module.

The intelligent electronic module is at the heart of the system. The suitable electronic module from the accessory range is available for all A3000 opencompatible F5 basin taps and shower fittings. The electronic module is part of the product on all network-compatible shower panels and fittings for concealed mounting and flushing valves for WCs and urinals.

The factory programmed, „plug and play“ functionality of the electronic modules allow the fittings to be easily installed. Together with the electronic module, each fitting has application-specific programming for all of the important water supply functions which is independent of the higher-level control unit. Furthermore, a unique serial number provides the basis for additional control functions.



The intelligent fittings have the following functional programmes:

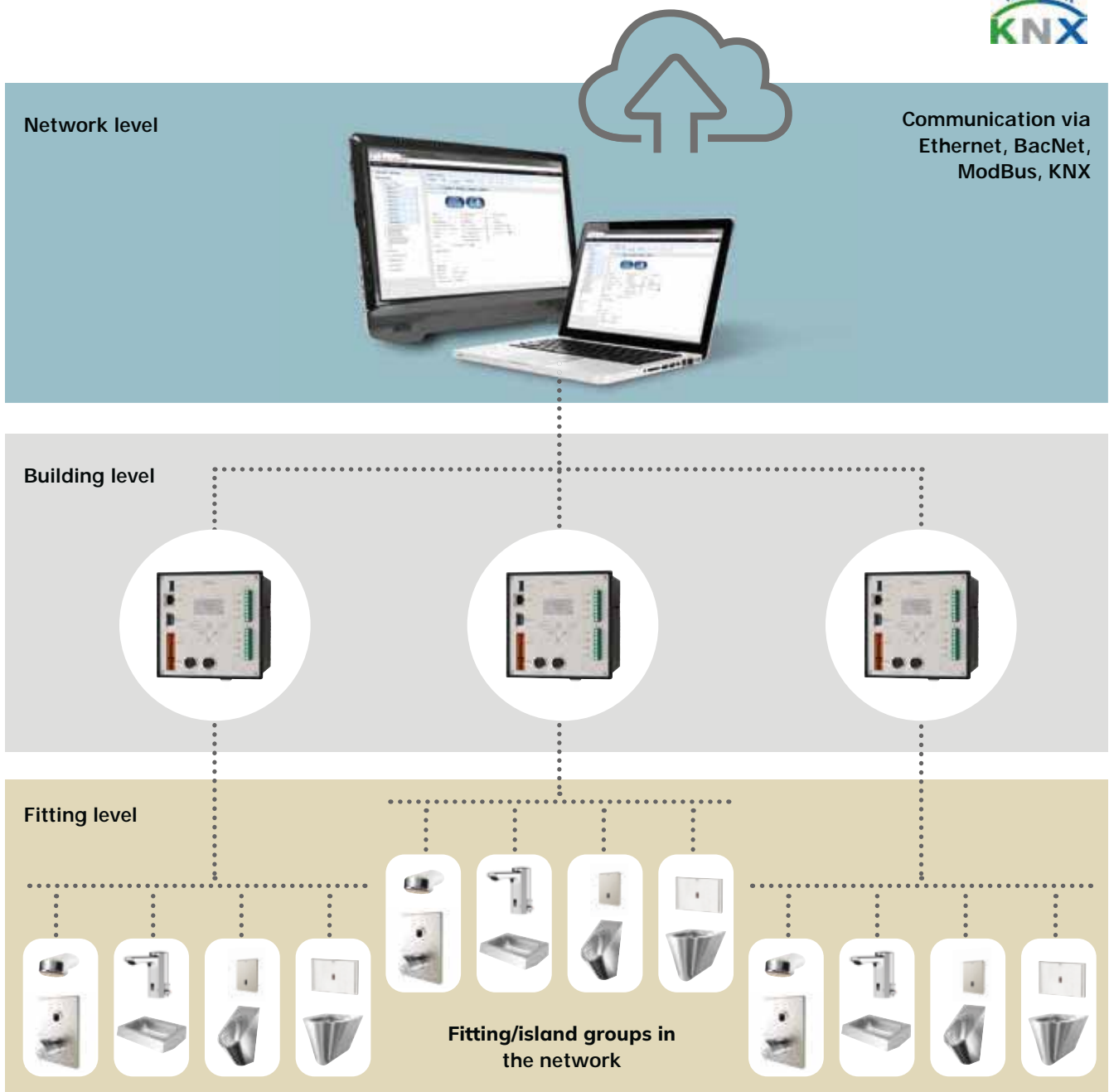
- Easy parameter settings
- Demand-optimised water supply functions
- Programme mode switching
- Peak-load optimisation
- Simultaneous-operation suppression
- Paid supply of water with AQUAPAY
- Safety switch-offs
- Deactivation of cleaning
- Statistical functions and temperature logs
- Automatic water hygiene flushing operations
- Thermal disinfection programmes

KWC Short description water management system

The AQUA 3000 open water management system is subdivided into a fitting building and network level. At the fitting level, an ECC2 function controller has a CAN island network with up to 32 fittings assigned to it. The ECC2 function controller at the building level serves as the transfer point to the network level.

For larger buildings, several ECC2-function controllers can be installed. The RJ45 ports *) of the individual ECCs can be used to connect all of the fittings installed in a building to a single PC or to the computer-aided facility management system (CAFM), from which they can then be jointly managed and/or controlled.

*) e.g. via KNX-IP | The membership as a certified manufacturer in the KNX Association exists since 2016.



KWC AQUA 3000 open tap overview

Wash basin taps | Hybrid taps

					
	<p>F7EM1001 F7EM1002 F7EV1001 F7EV1002</p>	<p>F5EM1004 F5EM1008 F5EV1004 F5EV1008</p>	<p>F5ET1013 F5ET1014 F5ET1015</p>	<p>F5EV1013</p>	<p>F5LME001 F5LME002 F5LME005</p>

Shower panels | Shower taps | Coin-operated controllers

					
	<p>F5ET2020</p>	<p>F5ET2021</p>	<p>F5ET2049</p>	<p>F5ET2024</p>	<p>F5ET2026</p>

				
	<p>F5ET2025</p>	<p>F5ET2050</p>	<p>F5EV2005</p>	<p>F5ET2031</p>

			
	<p>F5ET2040</p>	<p>AQUA800 AQUA801</p>	<p>AQUA802 AQUA803</p>

The detailed descriptions of taps can be found in the corresponding chapters. Please use the type index as search help.

Flush valves urinal | WC


				
	F5EF3002	F5EF3010	F5EF4002	F5EF4008


			
	F5EF4007	AT300051	EXOS0027

Fittings and combinations for facilities at risk of vandalism


					
	F5EV1017 F5EV1016	F5EV2007 F5EV2006	F5EF4005	F5EF4004 F5EF4003	F5EF4006

				
	F5EV2008	F5ET2041	HDTX806L HDTX806M HDTX806R	HDTX816L HDTX816M HDTX816R


AQUA 3000 open
 All fittings with this symbol are already network-compatible, since the necessary electronic module is included with the product.


AQUA 3000 open compatible
 All fittings with this symbol can be integrated into the AQUA 3000 open water management system with the suitable electronic module from the accessory range. As standalone fittings, they also offer many hygiene and statistical functions.

+



The detailed descriptions of taps can be found in the corresponding chapters. Please use the type index as search help.

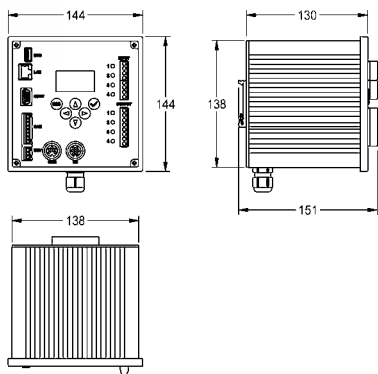
KWC AQUA 3000 open system accessories

Type	Article Number
------	----------------



ECC2 function controller

ECC2 function controller - A3000 open with Ethernet and CAN bus connection for the fittings level and with integrated power supply, real-time clock with calendar function and WEB server. For connecting 32 AQUA 3000 open fittings/electronic system modules or up to 200 m cable length for the purpose of supplying power and external control, e.g. for adjusting fittings and for communication, 230 V AC / 24 V DC.



ZA3OP0011	2000108123
------------------	------------

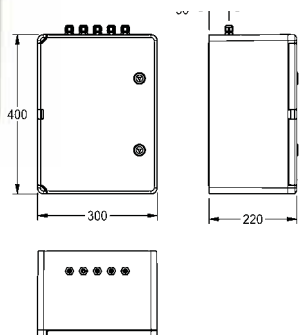
Version including BacNet-IP, KNX-IP and ModBus-TCP GLT-data protocols

ZA3OP0022	2030016282
------------------	------------



Control cabinet with ECC2 function controller

Control cabinet with ECC2 function controller - A3000 open, for wall mounting, made of plastic (ABS), light grey colour, left door hinge, lockable by means of triangular wrench, fully wired, including main switch. With Ethernet and CAN bus connection for the fitting level and with integrated power supply unit, real-time clock with calendar function and WEB - server. With connection option for digital inputs and outputs. For connecting 32 AQUA 3000 open fittings/electronic system modules or up to 200 m cable length for the purpose of supplying power and external control, e.g. for adjusting fittings and for communication, 230 V AC / 24 V DC.



Dimensions 300 x 400 x 220 mm (W x H x D)

ZA3OP0035	2030069338
------------------	------------

Version including BMS - BacNet - TCP/IP, KNX-TCP and ModBus-TCP IP data protocols

ZA3OP0036	2030072185
------------------	------------

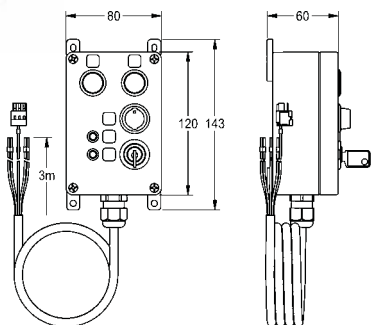


Operation box for ECC2 function controller

Operation box for digital inputs and outputs on the ECC2 function controller. Activation and display using buttons, switches and LEDs. Plastic housing for surface installation, with connection cable and keys, 24 V DC.

Housing dimensions 80 x 120 x 55 mm (W x H x D)

ZA3OP0034	2030068513
------------------	------------



KWC AQUA 3000 open system accessories

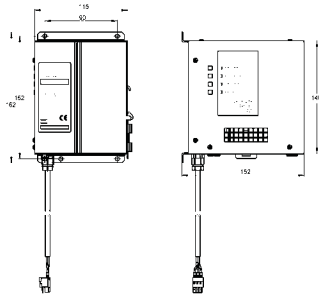
Type **Article Number**



Uninterruptible power supply

Uninterruptible power supply - A3000 open for connection to ECC function controller, 24 V DC / 3.2 Ah.

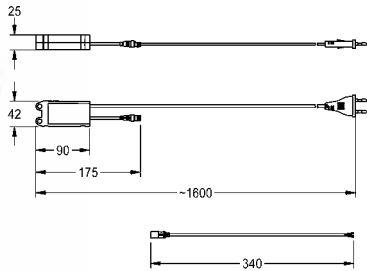
ZAQUA006 2000100977



Power supply unit

Power supply - A3000 open in waterproof housing for supplying power to AQUA 3000 open fittings with up to 100 m cable length, 230 V AC / 24 V DC, 12 W. For wall mounting.

ZAQUA007 2000100375



Optional accessories

Connection cable, Y-form, for dual power supply of A3000 open taps in connection with compact system power supply unit, 24 V DC

ZA3OP0027 2030030081

Extension cable for electronic modules when the electrical T-junction is installed outside the flush-mounting cabinet, length 5 m

ZAQUA073 2000101055



System cable

System cable - A3000 open for connecting AQUA 3000 open fittings/system electronic modules. For providing power and communication, 24 V DC. Length 100 m. To be laid in protective ducting. Important note! Each power supply unit can be connected with up to 200 m cable length and up to 32 fittings/system electronic modules.

ZAQUA077 2000100801

System cable, length 25 m/ring

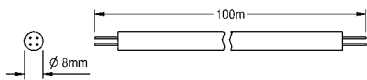
ZAQUA078 2000100852

Zero halogen version, length 25 m/ring

ZAQUA012 2000104274

Zero halogen version, length 100 m/ring

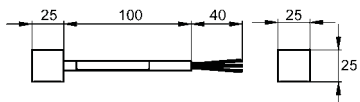
ZAQUA011 2000104272



Terminating resistor

Terminating resistor – A3000 open for bilaterally terminating the system cable to ensure proper data communication. Consisting of a terminating resistor for connecting to the electric T-junction of the last fitting.

ZAQUA014 2000100847



KWC AQUA 3000 open system accessories

Type Article Number

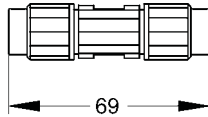


Coupling for system cable

Coupling for system cable - A3000 open, packaging unit with 5 pieces.

ZAQUA013

2000100857

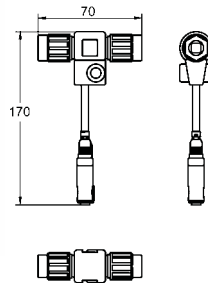


Electrical T junction

Electronic T-distribution with protection cap, for connecting electronic module and system cable - A3000 open.

ZAQUA075

2000100853



Optional accessories

Extension cable for electronic modules when the electrical T-junction is installed outside the flush-mounting cabinet, length 5 m

ZAQUA073

2000101055



Screw-in temperature sensor

Screw-in temperature sensor for application with A3000 open thermostat fittings with function block for recording temperatures with PT1000 measuring element, for monitored thermal disinfection at the discharge fitting.

ZAQUA017

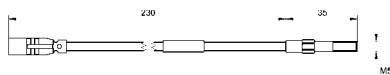
2000100972

Optional accessories

Raw brass screw-in connector, for screw-in temperature sensor.

ZA3OP0021

2030002428



Surface temperature sensor

Contact temperature sensor for application with A3000 open fittings, for recording temperatures with PT1000 measuring element.

For hot-water pipeline

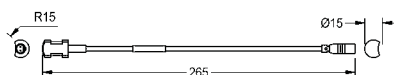
ZAQUA020

2000100975

Version for cold water pipe

ZAQUA021

2000100976



KWC AQUA 3000 open system accessories

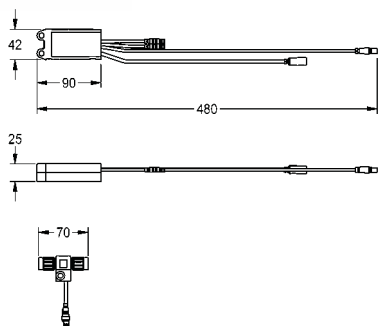
Type **Article Number**



Electronic module for wash basin taps F5

Electronic module EM5 with ID 02010 and electronic T-distribution. For connection in water management system AQUA 3000 open, 24 V DC.

ACEX1002	2030041520
Electronic module EM5 with ID 02010, with flush box, for F5EV1004/1008 and F5EM1004/1010	
ACEX1004	2030059118
Electronic module EM5 with ID 02050 for F5ET1004/1005/1006 and F5ET1019/1020/1021	
ACET1001	2030041914
Electronic module EM5 with ID 02020 for F5ET1013	
ACET1002	2030041915
Electronic module EM5 with ID 02030 for F5ET1014	
ACET1003	2030041916
Electronic module EM5 with ID 02040 for F5ET1015	
ACET1004	2030041917
Electronic module EM5 with ID 02090 for F5EV1013	
ACEV1002	2030065092



Optional accessories

Extension cable for sensor, 1 m	
ACEX9006	2030041919
Extension cable for sensor, 2 m	
ACEX9007	2030041920
Extension cable for sensor, 3 m	
ACEX9013	2030056669
Extension cable for electronic modules when the electrical T-junction is installed outside the flush-mounting cabinet, length 5 m	
ZAQUA073	2000101055



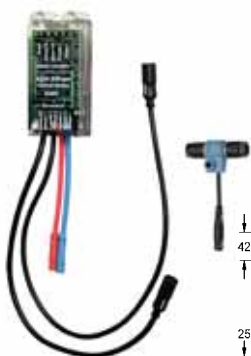
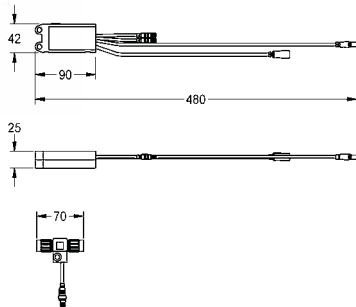
Electronic module EM5 for F5 shower taps

Electronic module EM5 with ID 07040 and electronic T-distribution. For connection in water management system AQUA 3000 open, 24 V DC.

ACET2001	2030041918
-----------------	------------

Optional accessories

Extension cable for sensor, 1 m	
ACEX9006	2030041919
Extension cable for sensor, 2 m	
ACEX9007	2030041920
Extension cable for sensor, 3 m	
ACEX9013	2030056669
Extension cable for electronic modules when the electrical T-junction is installed outside the flush-mounting cabinet, length 5 m	
ZAQUA073	2000101055



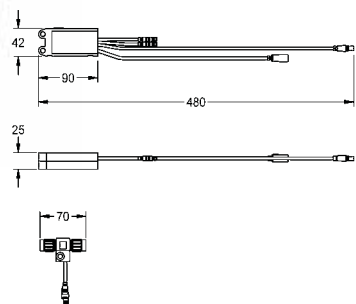
Electronic module for F5 urinal flush valve

Electronic module EM5 with ID 09010 and electronic T-distribution. For connection in water management system AQUA 3000 open, 24 V DC.

ACEF3001	2030056786
-----------------	------------

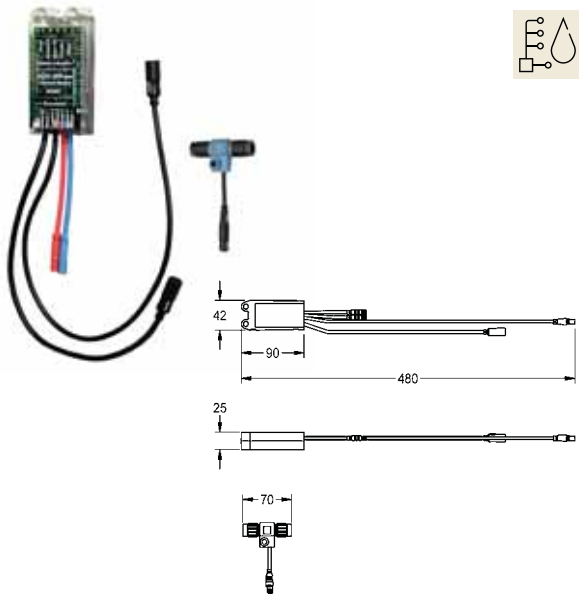
Optional accessories

Extension cable for sensor, 1 m	
ACEX9006	2030041919
Extension cable for sensor, 2 m	
ACEX9007	2030041920
Extension cable for sensor, 3 m	
ACEX9013	2030056669
Extension cable for electronic modules when the electrical T-junction is installed outside the flush-mounting cabinet, length 5 m	
ZAQUA073	2000101055



KWC AQUA 3000 open system accessories

Type	Article Number
------	----------------



Electronic module for F5 WC flushing valve

Electronic module EM5 with ID 13020 and electronic T-distribution. For connection in water management system AQUA 3000 open, 24 V DC.

ACEF4003	2030067649
-----------------	------------

Optional accessories

Extension cable for sensor, 1 m

ACEX9006	2030041919
-----------------	------------

Extension cable for sensor, 2 m

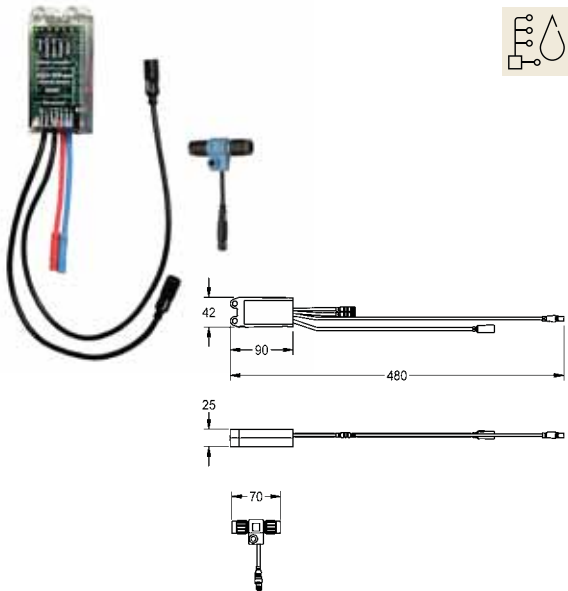
ACEX9007	2030041920
-----------------	------------

Extension cable for sensor, 3 m

ACEX9013	2030056669
-----------------	------------

Extension cable for electronic modules when the electrical T-junction is installed outside the flush-mounting cabinet, length 5 m

ZAQUA073	2000101055
-----------------	------------



Electronic module for F5 hybrid fitting

Electronic module EM5 with ID 02160 and electronic T-distribution. For connection in water management system AQUA 3000 open, 24 V DC.

ACEM1001	3600000504
-----------------	------------

Electronic module EM5 with ID 02160, with flush box

ACEM1002	3600000505
-----------------	------------

Optional accessories

Extension cable for sensor, 1 m

ACEX9006	2030041919
-----------------	------------

Extension cable for sensor, 2 m

ACEX9007	2030041920
-----------------	------------

Extension cable for sensor, 3 m

ACEX9013	2030056669
-----------------	------------

Extension cable for electronic modules when the electrical T-junction is installed outside the flush-mounting cabinet, length 5 m

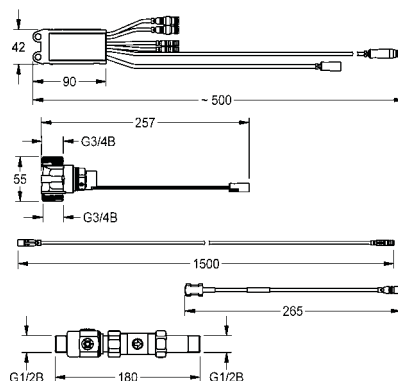
ZAQUA073	2000101055
-----------------	------------



Electronic module for flushing the system

Electronic module A3000 open for flushing the system with cold water (hygiene flushing) and hot water (thermal disinfection) via ECC function controller. In combination design for concealed installation, 24 V DC.

ZAQUA029	2000101182
-----------------	------------



KWC AQUA 3000 open system accessories

Type	Article Number
------	----------------



Electronic module for circulation line

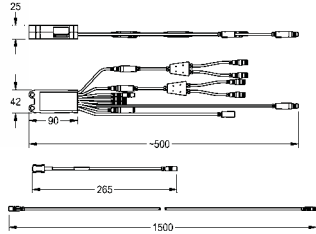
Electronic module - A3000 open for circulation line. For ensuring thermal treatment of the circulation line. Service software can be used to enter time and temperature parameters for specific building requirements.

ZAQUA030	2000101183
-----------------	------------

Optional accessories

Solenoid valve – A3000 open for combination with electronic module for circulation line

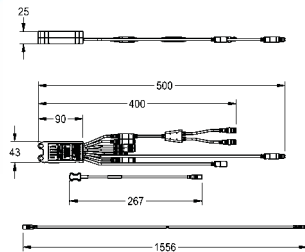
ZAQUA032	2000101328
-----------------	------------



Electronic module for drinking water heater

Electronic module - A3000 open, for drinking water heater. For ensuring thermal treatment of pipeline systems and fittings. For controlling the drinking-water heater to increase the storage temperature during thermal treatments. Including electronic T-junction and a clip-on temperature sensor with 1.5 m extension cable, 24 V DC.

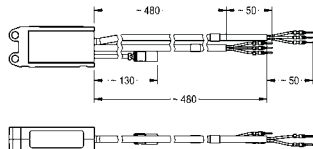
ZAQUA031	2000101509
-----------------	------------



Circuit breaker

Power switch - A3000 open, for electronic module. Facilitates switching external loads, e.g. fans. With 2 switched outputs for controlling 2 separate devices, with maximum power rating 10 A - 230 V AC.

ZAQUA026	2000101173
-----------------	------------



Automatic flushing module for one water line

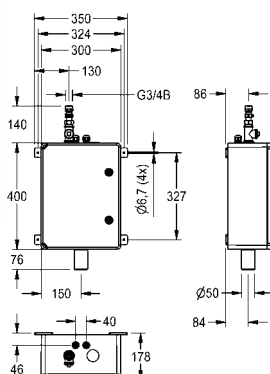
Automatic flushing module for the time-controlled or manual system flushing of one water line, for wall mounting. Fitting group with lockable water volume control, T-piece for installing an on-site sampling valve, DN 15 solenoid valve, strainer and laminar jet controller 10.0 l/min. With water-tight electronic module and electrical T junction. Waste-water kit with intake funnel, adjustable fill level sensor for overflow protection and DN 50 outlet downwards for on-site siphon. Fitted in the plastic casing (ABS), light-grey colour, left-hand door stop, can be locked using a triangular wrench. Water and electrical connection from above, outside of the housing. Preset flushing, fixed interval time every 24 hours for 3 minutes, maximum water temperature of 70 °C. With the option to integrate into the AQUA 3000 open water management system as well as parametrisation, statistical records and communication via the ECC function controller, 24 V DC.

Housing dimensions 300 x 400 x 170 mm (W x H x D)

A3OP003	2030061587
----------------	------------

for two water lines

A3OP004	2030061589
----------------	------------





Flush valves for urinals and WCs

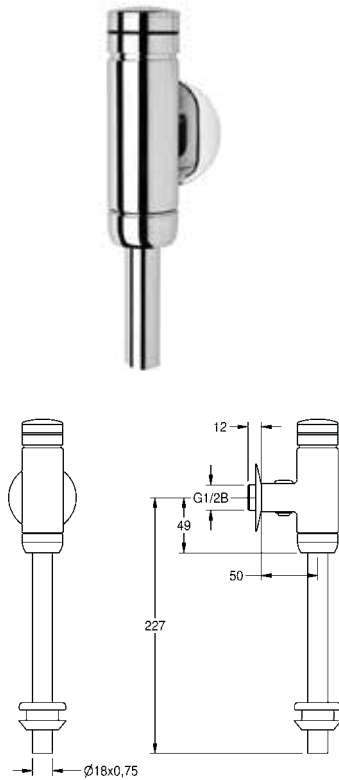
Sanitary products must be able to withstand the harshest of requirements in public-access WC facilities. An extremely high user frequency, coupled with constantly changing users, leads to special challenges in this area.

Reliable flushing valves or the latest in flushing systems such as automatically controlled electronic fittings should be used in these generally problematic scopes of application.

Flush valves for urinals and WCs

Urinal flush valves, electronic fittings for urinals	224
Electronic urinal controls	226
WC flush valves	228
Electronic fittings for WC	230
Flushing plates for WC cisterns	232
Accessories	234

KWC Urinal flush valves, electronic fittings



Type	Article Number
------	----------------

AQUALINE urinal flush valve

AQUALINE urinal flush valve DN 15 for surface installation, flushing quantity and volume flow adjustable, with lockable water quantity regulator, inlet pipe and connector, polished chromium-plated brass, push cap and screw fitting in chromium-plated plastic.

AQRM460	2000065995
----------------	------------

All-metal construction

AQRM464	2000100071
----------------	------------

Optional accessories

Flushing pipe, elbowed offset 35 mm

AQRM913	2000101435
----------------	------------

Flushing pipe extension, length 350 mm, straight

AQRM914	2000101436
----------------	------------

Flushing pipe extension, length 350 mm, crank 25 mm

AQRM916	2000101438
----------------	------------

Flushing pipe extension, length 350 mm, crank 30 mm

AQRM917	2000101439
----------------	------------

Flushing pipe extension, length 350 mm, crank 35 mm

AQRM918	2000101440
----------------	------------



F3E electronic urinal flush valve for wall mounting

F3E urinal flush valve DN 15 for wall mounting, opto-electronically controlled. Control electronics, solenoid valve cartridge, 6 V lithium battery (CR-P2) and sensor in all-metal housing, polished chromium-plated brass. With lockable water volume regulation, urinal connector, flushing pipe and rosette. Activated water hygiene flushing 24 hours after last activation, safety switch-off for continuous reflexion and saving of statistical data. With option for parametrisation and communication via optional, bidirectional remote control.

F3EF3001	2030072417
-----------------	------------

Optional accessories

Flushing pipe, elbowed offset 35 mm

AQRM913	2000101435
----------------	------------

Flushing pipe extension, length 350 mm, straight

AQRM914	2000101436
----------------	------------

Flushing pipe extension, length 350 mm, crank 25 mm

AQRM916	2000101438
----------------	------------

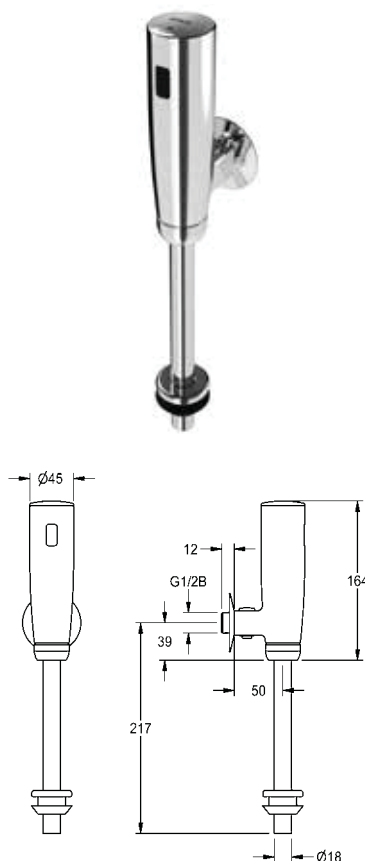
Flushing pipe extension, length 350 mm, crank 30 mm

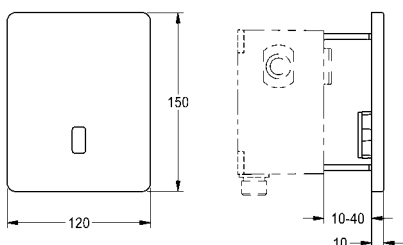
AQRM917	2000101439
----------------	------------

Flushing pipe extension, length 350 mm, crank 35 mm

AQRM918	2000101440
----------------	------------

Bidirectional remote control, two-button remote control, see page 234





F5E electronic urinal flush valve for in-wall installation

F5E urinal flush valve DN 15 and installation kit for in-wall installation with basic installation kit, opto-electronically controlled. With self-closing solenoid valve cartridge, holding frame, stainless steel cover plate 120 x 150 mm with covered screw fixing including sensor with control electronics and strainer. Activated water hygiene flushing 24 hours after last activation and saving of statistical data. With option for parametrization and communication via optional, bidirectional remote control. Option for battery operation with 6 V lithium battery (CR-P2) per fitting or separate power supply via power supply unit 6.75 V/12 V DC or AQUA 3000 open system accessories.

Battery compartment including battery or power supply unit with extension cable must be ordered separately.

F5EF3010	2030067743
-----------------	------------

Mandatory accessories (optionally)

Basic installation kit

AQLN0006	2000107414
-----------------	------------

Installation frame for stainless steel urinals with flush valve for in-wall installation

AQFX0002	2000110549
-----------------	------------

Installation frame for ceramic urinals, with flush valve for in-wall installation

AQFX0001	2030020123
-----------------	------------

Battery compartment including 6 V battery

ACEX9023	3600002063
-----------------	------------

Power supply unit

ACEX9001	2030039477
-----------------	------------

Extension cable 5 m (per tap)

ACEX9010	2030043814
-----------------	------------

Power supply for installation in the wall with connecting cable 1 m

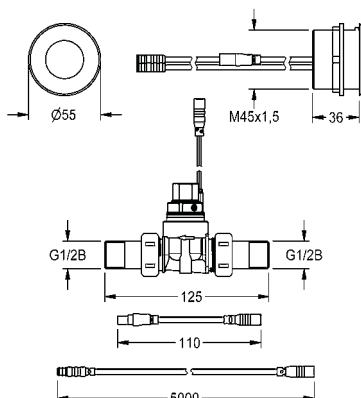
ACEX9003	2030039825
-----------------	------------

Optional accessories

Electronic module EM5 with ID 09010

ACEF3001	2030056786
-----------------	------------

Bidirectional remote control, two-button remote control, see page 226
AQUA 3000 open system accessories, see "AQUA 3000 open" section



F5E Urinal flush valve for concealed mounting

F5E Urinal flush valve DN 15 for concealed mounting, opto-electronic control. With round sensor (diameter 55 mm), with integrated control electronics and deactivation of cleaning, high-polished chrome-plated brass, to be screwed in from rear, with anti-twist protection, solenoid valve with screw fixings G 1/2 B, extension cable for solenoid valve, length 5 m. Activated water hygiene flushing 24 hours after last activation and saving of statistical data. With option for parameterization and communication via optional, bidirectional remote control. Optional for battery operation with 6 V lithium battery (CR-P2) per fitting or separate power supply via power supply unit 6.75 V/12 V DC or AQUA 3000 open system accessories.

Battery compartment including battery or power supply unit with extension cable must be ordered separately.

F5EF3002	2030062317
-----------------	------------

Mandatory accessories (optionally)

Battery compartment including 6 V battery

ACEX9023	3600002063
-----------------	------------

Power supply unit

ACEX9001	2030039477
-----------------	------------

Extension cable 5 m (per tap)

ACEX9010	2030043814
-----------------	------------

Optional accessories

Electronic module EM5 with ID 09010

ACEF3001	2030056786
-----------------	------------

Stainless steel cover, round, diameter 136 mm, for sensor support

ZAQUA084	2000101054
-----------------	------------

Bidirectional remote control, two-button remote control, see page 234
AQUA 3000 open system accessories, see "AQUA 3000 open" section

Type	Article Number
------	----------------



F5 smart urinal sensor

F5 smart urinal sensor for overhead installation for central flushing of urinal systems in a room. Control module designed with white plastic housing, for multiple simultaneous user detection and touch-free triggering of flushing programmes for connected F5 smart urinal units via wireless communication. Option to connect up to 20 F5 smart urinal units. The area covered by the sensors is dependent on the ceiling height. Activated, washing area-dependent hygiene flushing 24 hours after last activation and saving of statistical data. Commissioning and flushing programme selection and parametrisation for each smart urinal unit via the necessary app, installed on Bluetooth®-enabled mobile devices from Android 7 or iOS 11.

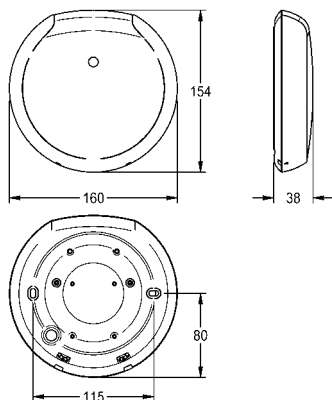


Connection voltage 110–240 V AC, 50/60 Hz

Protection class IP20

Area covered 5 x 2.5 m at ceiling height 3 m

Housing dimensions 160 x 35 mm (D x H)



F5EF3008	2030067530
-----------------	------------

Black plastic housing	
-----------------------	--

F5EF3009	2030067531
-----------------	------------

Mandatory accessories (optionally)

F5 smart urinal unit for single ceramic urinals

ACEF3002	2030067532
-----------------	------------

F5 smart urinal unit for single urinal made of stainless steel

ACEF3003	2030070859
-----------------	------------

F5 smart urinal unit for row urinals made of stainless steel

ACEF3004	2030072412
-----------------	------------



F5 smart urinal unit for single ceramic urinals

F5 smart urinal unit for installation behind single urinals made of ceramic. Water path pre-assembled with inlet connector, hoses, locking and solenoid valve. Control unit in sealed plastic box for wireless communication with the F5 smart urinal sensor. Either for battery operation with 6 V lithium battery (CR-P2) per control unit or separate power supply via power supply unit 6.75 V/12 V DC.

Battery compartment including battery or power supply unit with extension cable must be ordered separately.

You can find an overview of suitable ceramic urinals in the product information on our website.

ACEF3002	2030067532
-----------------	------------

Mandatory accessories (optionally)

Battery compartment including 6 V battery

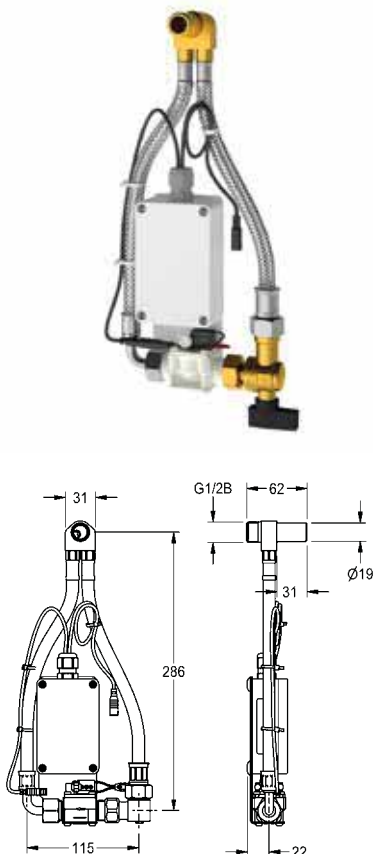
ACEX9023	3600002063
-----------------	------------

Power supply unit

ACEX9001	2030039477
-----------------	------------

Extension cable 5 m (per Smart Urinal Unit)

ACEX9010	2030043814
-----------------	------------



Type	Article Number
------	----------------



F5 smart urinal unit for single urinal made of stainless steel

F5 smart urinal unit for installation behind a single urinal made of CMPX539 stainless steel. Water path pre-assembled with hose for water connection, locking and solenoid valve. Control unit in sealed plastic box for wireless communication with the F5 smart urinal sensor. Either for battery operation with 6 V lithium battery (CR-P2) per control unit or separate power supply via power supply unit 6.75 V/12 V DC.

Battery compartment including battery or power supply unit with extension cable must be ordered separately.

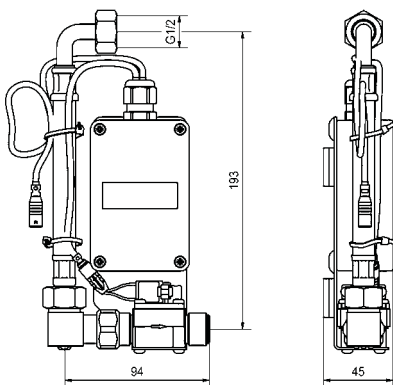
ACEF3003	2030070859
-----------------	------------

Mandatory accessories (optionally)

Battery compartment including 6 V battery	ACEX9023	3600002063
---	-----------------	------------

Power supply unit	ACEX9001	2030039477
-------------------	-----------------	------------

Extension cable 5 m (per Smart Urinal Unit)	ACEX9010	2030043814
--	-----------------	------------



F5 smart urinal unit for series of urinals made of stainless steel

F5 smart urinal unit for installation within the water inlet area of the CAMPUS urinal series. Water path pre-assembled with pipe elbows for DN 15 water connection and flushing pipe, valve assembly with water volume regulation including a strainer, solenoid valve and hose. Control unit in sealed plastic box for wireless communication with the F5 smart urinal sensor. Either for battery operation with 6 V lithium battery (CR-P2) per control unit or separate power supply via power supply unit 6.75 V/12 V DC.

Battery compartment including battery or power supply unit with extension cable must be ordered separately.

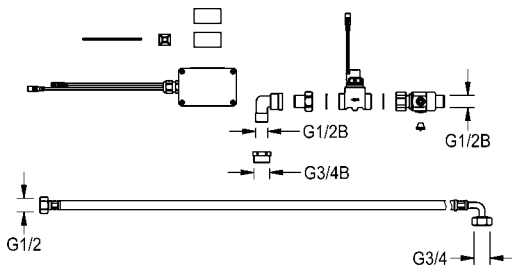
ACEF3004	2030072412
-----------------	------------

Mandatory accessories (optionally)

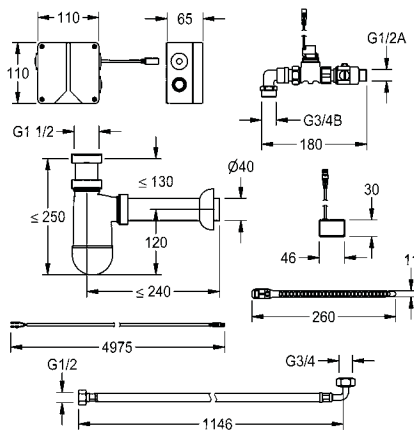
Battery compartment including 6 V battery	ACEX9023	3600002063
---	-----------------	------------

Power supply unit	ACEX9001	2030039477
-------------------	-----------------	------------

Extension cable 5 m (per Smart Urinal Unit)	ACEX9010	2030043814
--	-----------------	------------



KWC Electronic fittings, WC flush valves



Type	Article Number
------	----------------

Electronic trap control

Electronic siphon control unit for invisible installation, for touch-free flushing of KWC stainless steel trough urinals. With connection hoses, solenoid valve, siphon with externally mounted sensor without water contact and electronic box including power supply unit and control with extended blocking time, 230 V AC.

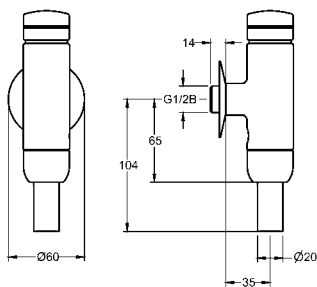
Trap cover must be ordered separately.

AQUA422N	3600002630
-----------------	------------

Mandatory accessories

Trap cover for slab urinals

ZCMPX0010	2000102739
------------------	------------



AQUALINE WC flushing valve

AQUALINE WC flush valve for surface installation, flushing quantity and volume flow adjustable. With nominal diameter DN 15. Polished chromium-plated brass, push cap and screw fitting made of chromium-plated plastic.

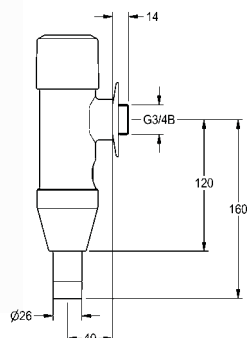
AQRM551	2000100082
----------------	------------

AQUALINE WC DN 20 flushing valve

AQRM552	2000100083
----------------	------------

AQUALINE WC flushing valve DN 20, all-metal construction

AQRM559	2000066508
----------------	------------

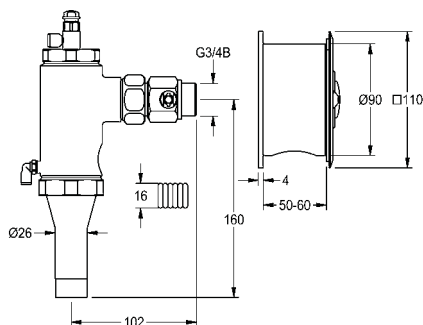
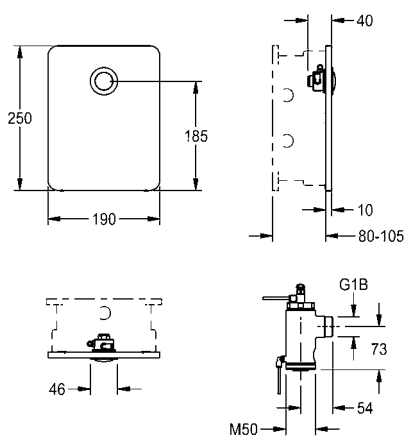


SQUAREX WC flushing valve

SQUAREX WC flush valve DN 20, noise group I, for surface installation, with automatic volume flow control and adjustable flushing water volume, in polished chromium-plated brass, push cap and screw fitting made of metal.

AQRM550	2000100076
----------------	------------

KWC WC flush valves



Type

Article Number

NEW

F3S WC flush valve for in-wall installation

F3S WC flush valve DN 20 as finished installation kit for in-wall installation in the basic installation kit, fitting group I. Self-closing upper component hydraulically controlled, piston-free design, automatic and backlash-free closing. Automatic flush flow regulation and adjustable flush water volume. All-metal construction, visible parts polished chrome-plated. Holding frame including profile seal, stainless steel cover plate 190 x 245 mm with covered screw fixing, pre-fitted push-button actuation, hydraulic control lines and mounting material. Depth adjustability 20 mm.

F3SF4003 3600005979

Mandatory accessories (optionally)

R3 system box for WC flush valve

F3BF4001 2030068205

Installation frame for wall-mounted toilet bowls

AQFX0012 3600005980

Installation frame for barrier-free wall-mounted toilet bowls

AQFX0013 3600005981

Optional accessories

Flushing pipe for in-wall installation, plastic flushing pipe with polystyrene jacket, inner width 45 mm

AQRM920 2000101466

AQUALINE WC flushing valve

AQUALINE WC flush valve DN 20 with noise group I with remote control, for vandal resistant applications, installation of flush valve outside the user room, remote control in wall installation box with stainless steel cover plate and metal push button.

AQRM554C 2000103712

Version without noise group I

AQRM553C 2000101061

Type **Article Number**



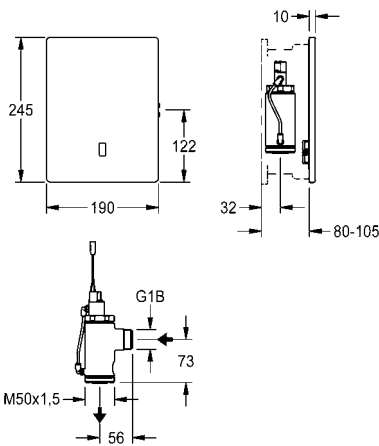
NEW

F5E WC flush valve for in-wall installation

F5E WC flush valve DN 20 as finished installation kit for in-wall installation in basic installation kit, touch-free, opto-electronically controlled. With solenoid flush valve fitting group I including enclosed throttle insert to reduce the flush volume, holding frame with profile seal and stainless steel cover plate 190 x 245 mm with integrated sensor and covered screw fixing. Depth adjustability 20 mm. Parameterisation and communication possible via optional bidirectional remote control. Optionally for battery operation with 6 V lithium battery (CR-P2) per fitting or separate power supply via power supply unit 6.75 V/12 V DC or AQUA 3000 open system accessories.



Battery compartment including battery or power supply unit with extension cable or AQUA 3000 open system accessories must be ordered separately.



F5EF4008 3600000383

Mandatory accessories (optionally)

R3 system box for WC flush valve

F3BF4001 2030068205

Installation frame for wall-mounted toilet bowls

AQFX0012 3600005980

Installation frame for barrier-free wall-mounted toilet bowls

AQFX0013 3600005981

Battery compartment including 6 V battery

ACEX9023 3600002063

Power supply unit

ACEX9001 2030039477

Extension cable 5 m (per tap)

ACEX9010 2030043814

Power supply for installation in the wall with connecting cable 1 m

ACEX9003 2030039825

Optional accessories

Electronic module EM5 with ID 13020

ACEF4003 2030067649

Flushing pipe for in-wall installation, plastic flushing pipe with polystyrene jacket, inner width 45 mm

AQRM920 2000101466

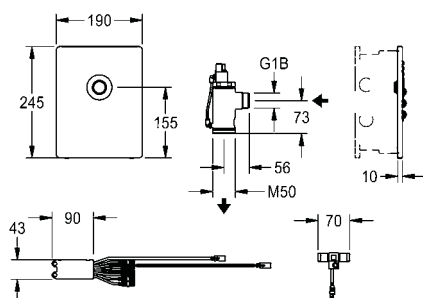
Bidirectional remote control, two-button remote control, see page 234
AQUA 3000 open system accessories, see "AQUA 3000 open" section



NEW

F5E - A3000 open WC flush valve for in-wall installation

F5E - A3000 WC flush valve DN 20 as finished installation kit for in-wall installation in basic installation kit, electronically controlled. With solenoid flush valve fitting group I including enclosed throttle insert to reduce the flush volume, holding frame with profile seal and stainless steel cover plate 190 x 245 mm with integrated piezo push-button and covered screw fixing. With waterproof electronic module with an additional input for customer-provided sensors (buttons), maximum distance to electronic module 5 m and electric T-junction for connection to system cable. Depth adjustability 20 mm. Activated hygiene flushing 24 hours after last operation. With facility for parameterisation, cleaning stop and communication via ECC2 function controller, 24 V DC.



F5EF4007 3600005635

Mandatory accessories (optionally)

R3 system box for WC flush valve

F3BF4001 2030068205

Installation frame for wall-mounted toilet bowls

AQFX0012 3600005980

Installation frame for barrier-free wall-mounted toilet bowls

AQFX0013 3600005981

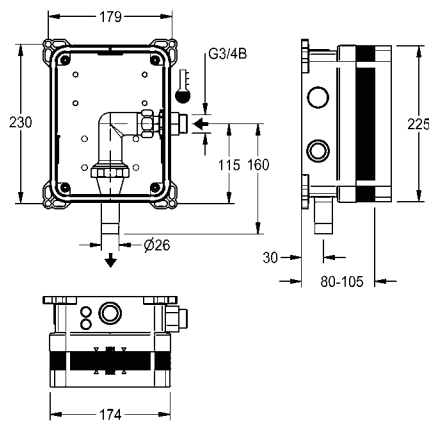
Optional accessories

Flushing pipe for in-wall installation, plastic flushing pipe with polystyrene jacket, inner width 45 mm

AQRM920 2000101466

AQUA 3000 open system accessories, see "AQUA 3000 open" section

KWC Electronic fittings for WC



Type	Article Number
------	----------------

R3 system box for WC flush valve

R3 Basic installation kit for in-wall installation of finished installation kits for WC flushing valve DN 20. System box made of plastic, 174 x 225 mm, with screw connections, flush pipe connection, shell protection, flush connector for flushing and leak test, no stop valve.

F3BF4001	2030068205
-----------------	------------

Optional accessories

Sliding adhesive flange

ACBX9002	2030041606
-----------------	------------

Mounting traverse, depth adjustable, for installing KWC fittings with flush-mounting cabinets in drywall, packaging unit: 2 pieces

ZCMPX006	2000106019
-----------------	------------



F5E WC flush valve for concealed mounting

F5E WC flush valve DN 20 for concealed mounting, opto-electronically controlled. With circular sensor (diameter 55 mm), integrated control electronics and cleaning deactivation. Manufactured from polished chromium-plated brass, designed to be screwed from the rear, with anti-twist protection and solenoid flusher with extension cable for solenoid valve (length 5 m). Activated hygiene flushing 24 hours after last activation and saving of statistical data. With option for parametrisation and communication via optional bidirectional remote control. Options for battery operation with 6 V lithium battery (CR-P2) per fitting or separate power supply via power supply unit 6.75 V/12 V DC or AQUA 3000 open system accessories.



Battery compartment including battery or power supply unit with extension cable must be ordered separately.

F5EF4002	2030062326
-----------------	------------

Mandatory accessories (optionally)

Battery compartment including 6 V battery

ACEX9023	3600002063
-----------------	------------

Power supply unit

ACEX9001	2030039477
-----------------	------------

Extension cable 5 m (per tap)

ACEX9010	2030043814
-----------------	------------

Optional accessories

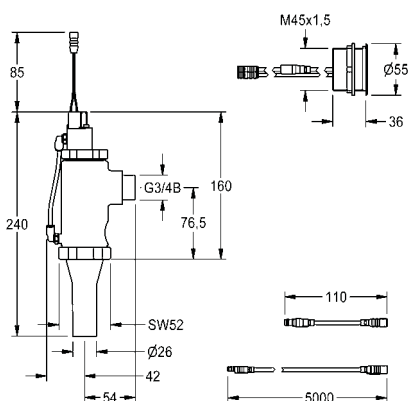
Electronic module EM5 with ID 13020

ACEF4003	2030067649
-----------------	------------

Stainless steel cover, round, diameter 136 mm, for sensor support

ZAQUA084	2000101054
-----------------	------------

Bidirectional remote control, two-button remote control, see page 234
AQUA 3000 open system accessories, see "AQUA 3000 open" section



KWC Flushing plates for WC cisterns

Type	Article Number
------	----------------



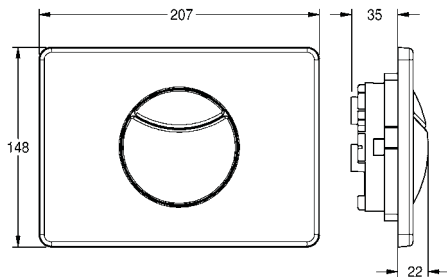
Flushing plate with 2 buttons for wall-installation cistern

Flushing plate for wall-installation cistern, operation from front, 2-level flushing or start/stop flushing, consisting of operating button, button mounting, installation frame, fixing bolts and securing screw, made of stainless steel.

Dimensions 207 x 148 mm (W x H)

AQUA555	2000067493
----------------	------------

Note:
Installation element with cistern, see "Installation elements for flushing systems" section



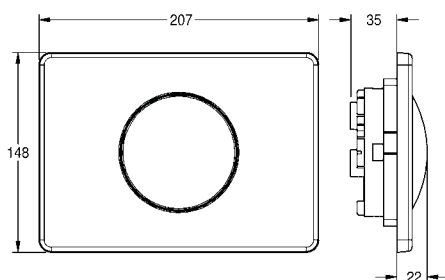
Flushing plate with 1 button for wall-installation cistern

Flushing plate for wall-installation cistern, operation from front, consisting of operating button, button mounting, installation frame, fixing bolts and securing screw, made of stainless steel.

Dimensions 207 x 148 mm (B x H)

AQUA557	2000067429
----------------	------------

Note:
Installation element with cistern, see "Installation elements for flushing systems" section



KWC Flushing plates for WC cisterns

Type	Article Number
------	----------------



AQUATIMER - A3000 open electronic WC controller for cistern

AQUATIMER - A3000 open electronically controlled WC control for concealed cistern with option for external controlling options such as setting the parameters and communication via ECC function controller. Consisting of waterproof electronic module with additional input for sensor switches (provided by customer), maximum distance to electronic module 5 m, servo motor, two waterproof electric t-junctions for connection to system cable, frame and stainless steel cover plate with integrated piezo switch and concealed screw connection, 24 V DC.

AT300051	2030021142
-----------------	------------

Mandatory accessories (optionally)

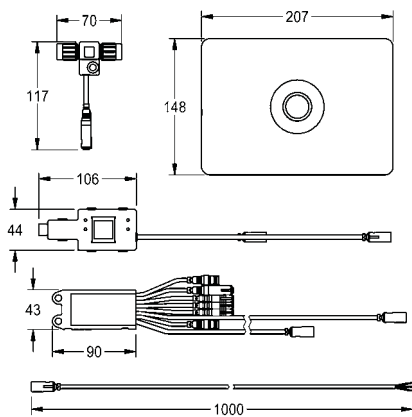
Installation frame for WC pan, with wall-installation cistern

AQFX0006	2030020126
-----------------	------------

Installation frame for WC pan, barrier-free, with wall-installation cistern

AQFX0007	2030020128
-----------------	------------

AQUA 3000 open system accessories, see "AQUA 3000 open" section



EXOS - A3000 open electronic WC controller for cistern

EXOS - A3000 open opto-electronic WC control for concealed toilet cistern. With option for external controlling options such as fittings settings and communication via ECC function controller or optional, bidirectional remote control. With waterproof electronic module with additional input for sensors to be provided by the client no more than 5 m away (e.g. support grips for disabled persons), low voltage motor, waterproof electric T-junction for connecting to system cable, mounting bracket and stainless steel cover plate with sensors and concealed screw fastening. Activated water hygiene flushing 24 hours after last activation and saving of statistical data. Separate power supply 24 V DC via AQUA 3000 open system accessories.

EXOS0027	2030036621
-----------------	------------

Mandatory accessories (optionally)

Installation frame for WC pan, with wall-installation cistern

AQFX0006	2030020126
-----------------	------------

Installation frame for WC pan, barrier-free, with wall-installation cistern

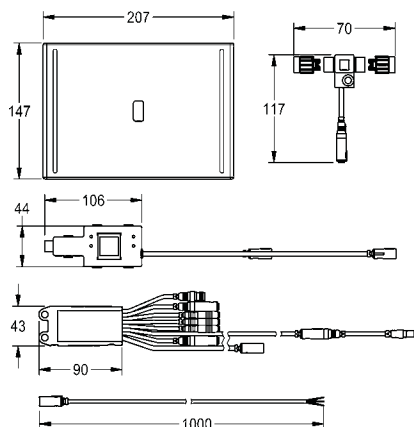
AQFX0007	2030020128
-----------------	------------

Optional accessories

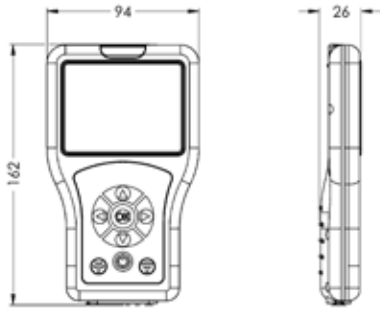
Bidirectional remote control

ACEX9005	2030036654
-----------------	------------

AQUA 3000 open system accessories, see "AQUA 3000 open" section



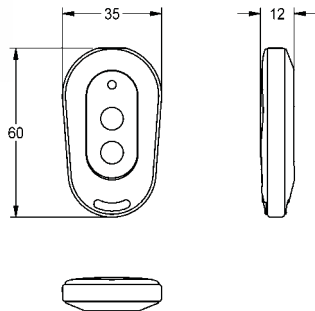
Type	Article Number
------	----------------



Bidirectional remote control for electronic fittings F3 and F5

Bidirectional remote control for setting function parameters, storage fitting profiles und statistical datas for electronic fittings F3 and F5 as well as hygiene units. Parameter display on menu-driven color screen. With internal rechargeable battery, USB port for transfer of fitting specific statistical datas as CSV file to PC. With possibility to import firmware files. Including protective bag and USB connecting cable.

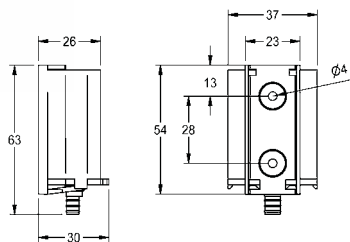
ACEX9005	2030036654
-----------------	------------



2-button remote control for fittings F3 and F5

2 buttons remote control for fittings F3 and F5 for activation cleaning switch-off for 1 minute and deactivation/activation of hygiene flush.

ACEX9004	2030036849
-----------------	------------



Battery compartment

Battery compartment with holder and 6 V lithium battery (CR-P2).

ACEX9023	3600002063
-----------------	------------

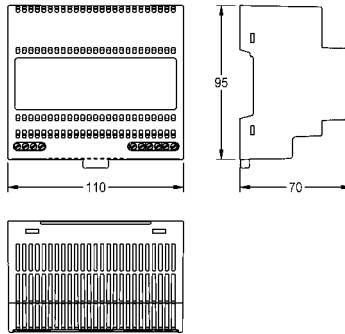
Type _____ **Article Number** _____



Power supply unit

Mains unit, for central power supply, operating voltage 100-240 V AC, output voltage switchable between 7 V DC, 31.5 W or 12 V DC, 50 W.

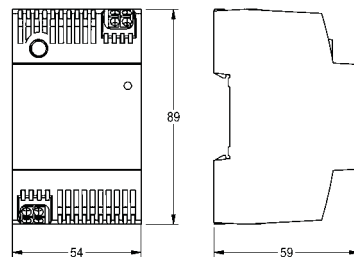
ACEX9001 _____ 2030039477 _____



Power supply unit

Power supply unit for switching system installation (TS35) for power supply to AQUA 3000 open taps with a 100 m maximum cable length, 100 V AC-240 V AC/24 V DC, 60 W.

ASEX1031 _____ 2030068573 _____



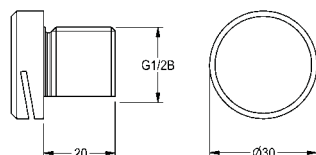
Urinal flushing head

DN 15 urinal flushing head, with narrow flushing slot, all-metal construction made of stainless steel, with 20 mm threaded connections.

ACXF3001 _____ 2030071742 _____

with 60 mm threaded connections

ACXF3002 _____ 2030071743 _____





Urinals and WCs

A bright and friendly design, combined with durable and easy to maintain surfaces supports the hygienic appearance of toilet facilities. Urinal and WCs made of easy to clean, robust stainless steel are to be recommended in sanitary facilities.

Urinals and WCs

CAMPUS urinals, urinal divider	238
CAMPUS row urinals	239
CAMPUS WC pan	240
CAMPUS squat pans	241

KWC CAMPUS urinals

Type	Article Number
------	----------------

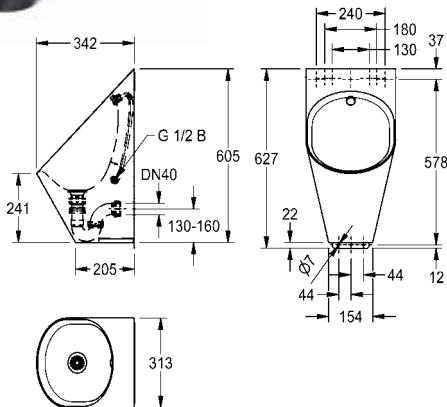


CAMPUS wall-mounted urinal

CAMPUS wall-mounted urinal made of 304 chromium-nickel steel, satin finished surface, bowl material thickness 1.2 mm, shroud 0.9 mm, oval bowl shape, stainless steel spreader with G 1/2 connecting hose, punched strainer waste, including DN 40 siphon, mounting strip and mounting material.

Dimensions 313 x 627 x 342 mm (W x H x D)

CMPX539	2030066247
----------------	------------



CAMPUS urinal

Single urinal for wall mounting, stainless steel, surface satin finished, material thickness 1.2 mm, oval bowl, stainless steel spreader 1/2", hidden horizontal outlet towards wall, mounting and fixing conform to EN 80, hidden screws, included trap DN 50, included mounting bracket and domed waste.

With stainless steel spreader 1/2"
Dimensions 313 x 733 x 341 mm (W x H x D)

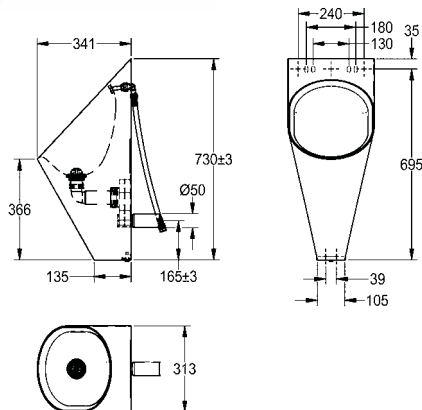
CMPX538	2000071872
----------------	------------

Version as waterless wall-mounted urinal, with DN 50 bent outlet, mounting strip and stainless steel waste with rubber membrane as trap

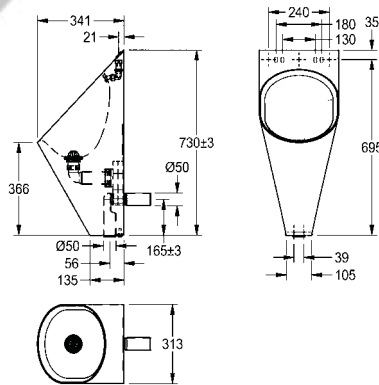
CMPX538WF	205.0000.057
------------------	--------------

Version as urinal with concealed flushing control, for installation from the front, with mounting clamp and concealed mounting

CMPX538RS	2000103380
------------------	------------



KWC CAMPUS urinals, urinal divider, row urinals



Type	Article Number
------	----------------

CAMPUS urinal for wall mounted flush valves

Single urinal for wall mounting, stainless steel, surface satin finished, material thickness 1.2 mm, oval bowl, stainless steel spreader 1/2", hidden horizontal outlet towards wall, mounting and fixing conform to EN 80, hidden screws, included trap DN 50, included mounting bracket and domed waste.

With stainless steel spreader 1/2", for exposed cistern and waste pipework. Dimensions 313 x 733 x 341 mm (W x H x D)

CMPX538E	2000100769
-----------------	------------

Mandatory accessories

AQUALINE – urinal flush valve DN 15

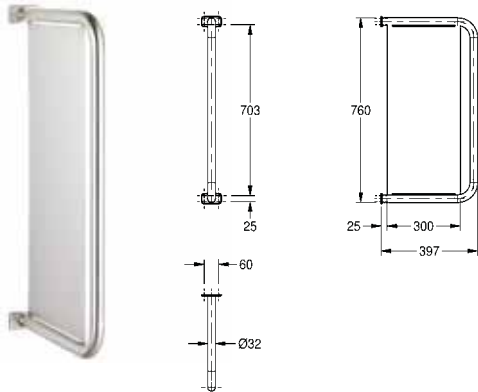
AQRM460	2000065995
----------------	------------

All-metal construction

AQRM464	2000100071
----------------	------------

Flushing pipe, elbowed offset 35 mm

AQRM913	2000101435
----------------	------------



CAMPUS urinal divider

Urinal divider for wall mounting, stainless steel, surface satin finished, material thickness 1.5 mm, 32 mm pipe diameter, with two stainless steel covers for hidden mounting, includes screws and dowels.

Dimensions 60 x 760 x 397 mm (W x H x D)

CMPX560	2000056972
----------------	------------



CAMPUS slab urinal

Urinal slab, stainless steel AISI 316TI, surface satin finished, material thickness 1 mm, flushing water demand 0,15 l/s, with covered flush pipe. Middle positioned slanted waste G1 1/2 B for connection to the syphon, including wall fixing brackets and mounting set.

Dimensions 1200 x 515 x 235 mm (W x H x D)

CMPX551GE	2030020113
------------------	------------

Width 1400 mm

CMPX552GE	2030020114
------------------	------------

Width 1800 mm

CMPX553GE	2030020115
------------------	------------

Width 2100 mm

CMPX554GE	2030020116
------------------	------------

Width 2400 mm

CMPX555GE	2030020117
------------------	------------

Optional accessories

Slab urinal connector

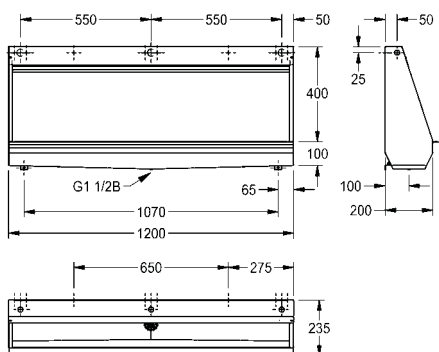
ZCMPX0002	2030020577
------------------	------------

Trap cover for slab urinals

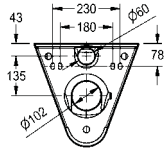
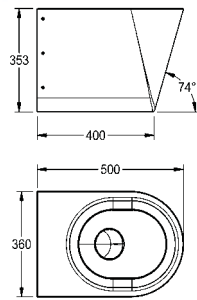
ZCMPX0010	2000102739
------------------	------------

Note:

Electronic urinal control for slab urinals see chapter 'Flush valves'



KWC CAMPUS WC pan



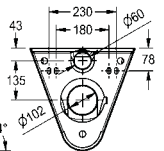
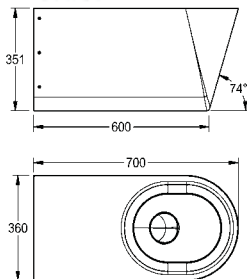
Type	Article Number
------	----------------

CAMPUS wall hung WC pan

Wall hung WC pan, stainless steel, surface satin finished, material thickness 1,5 mm, flushing certificated to EN 997, concealed flushing rim with min. 4 liter flushing capacity, with a shrouded 100 mm diameter horizontal ,P' trap outlet, pressed seat area tapered towards centre, all edges curved, fixing with mounting plate supplied, conform to EN 33, includes security screws. 4 litre flush EN 997 approved.

Without seat
Dimensions 360 x 353 x 500 mm (W x H x D)

CMPX592	2000100133
With 2 toilet seat pads	
CMPX592S	2000100134
With black toilet seat	
CMPX592BN	3600000629
With grey toilet seat	
CMPX592GN	3600000650
With white toilet seat	
CMPX592WN	3600000651

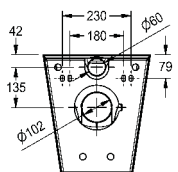
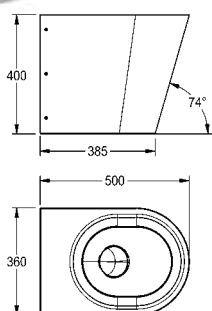


CAMPUS wall hung WC pan barrier-free

Wall hung WC pan for disabled, stainless steel, surface satin finished, material thickness 1,5 mm, flushing certificated to EN 997, concealed flushing rim with min. 4 liter flushing capacity, with a shrouded 100 mm diameter horizontal ,P' trap outlet, pressed seat area tapered towards centre, all edges curved, fixing with included mounting plate conform to EN 33, including safety screws.

Without seat
Dimensions 360 x 351 x 700 mm (W x H x D)

CMPX594	2000100147
With 2 toilet seat pads	
CMPX594S	2000100148
With black toilet seat	
CMPX594BN	3600000652
With grey toilet seat	
CMPX594GN	3600000653
With white toilet seat	
CMPX594WN	3600000654



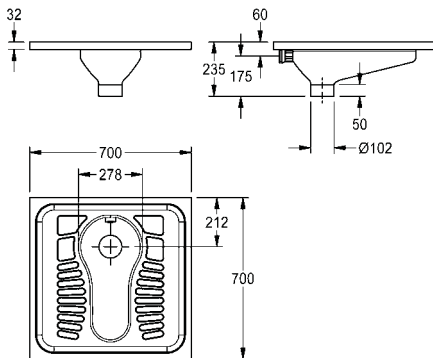
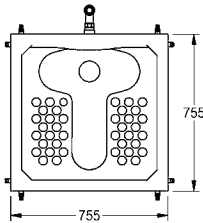
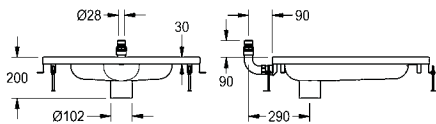
CAMPUS wall hung WC pan with shroud to the floor

Wall hung WC pan with shroud to the floor, stainless steel, surface satin finished, material thickness 1,5 mm, flushing certificated to EN 997, concealed flushing rim with min. 4 litre flushing capacity, with a shrouded 100 mm diameter horizontal ,P' trap outlet, pressed seat area tapered towards centre, all edges curved, fixing with included mounting plate conform to EN 33, including safety screws. 4 litre flush EN 997 approved.

Without seat
Dimensions 360 x 400 x 500 mm (W x H x D)

CMPX597	2000100153
With 2 toilet seat pads	
CMPX597S	2000100154
With black toilet seat	
CMPX597BN	3600000655
With grey toilet seat	
CMPX597GN	3600000656
With white toilet seat	
CMPX597WN	3600000657

KWC CAMPUS squat pans



Type	Article Number
------	----------------

CAMPUS squat pan

Squat pan made of stainless steel, suitable for DN 20 in-wall flush valves, surface satin finished, material thickness 1 mm, 9 liter flushing capacity, with circular folded edge (22 mm) and circular flushing rim. Vertical connection from behind with screw connection of 28 mm diameter, internal DN 100 waste outlet, fixing material and height adjustment included.

Dimensions 753 x 196 x 753 mm (W x H x D)

CMPX504	2000102732
----------------	------------

Optional accessories

Polystyrene mounting support with wall connection elements and plastic mounting pins, dimensions 730 x 150 x 730 mm (W x H x D)

ZCMPX004	2000102731
-----------------	------------

Trap, vertical outlet DN 100

ZCMPX002	2000102733
-----------------	------------

Trap, horizontal outlet DN 100

ZCMPX003	2000102734
-----------------	------------

Note: Suitable WC flushing valves see chapter 'Flush valves'

CAMPUS squat pan

Squat pan for recessed or inset mounting, stainless steel, surface satin finished, material thickness 1.2 mm, DN 100 waste, drainage into ground, slip resistant patterned foot tread plate areas, suitable for recessed mounting into floor.

With spreader for connection of 40 mm outer diameter flushing pipe. Dimensions 700 x 235 x 700 mm (W x H x D)

CMPX502N	2030018490
-----------------	------------

Version without spreader

CMPX503N	2030023692
-----------------	------------

Mandatory accessories

Connection set for squat toilet, consisting of screw-in connector and adapter, diameter 28 mm, for flush valves

ZCMPX0007	2030027502
------------------	------------

Connection kit for squat pan, consisting of male connector and adapter, diameter 32 mm, for cistern

ZCMPX0012	2030030368
------------------	------------

Optional accessories

Polystyrene mounting support, dimensions 680 x 200 x 680 mm (W x H x D)

ZCMPX0011	2030027861
------------------	------------

Trap, horizontal outlet DN 100

ZCMPX003	2000102734
-----------------	------------

Trap, vertical outlet DN 100

ZCMPX002	2000102733
-----------------	------------

Note: Suitable WC flushing valves for CMPX502N see chapter 'Flush valves'



Installation elements for flushing systems

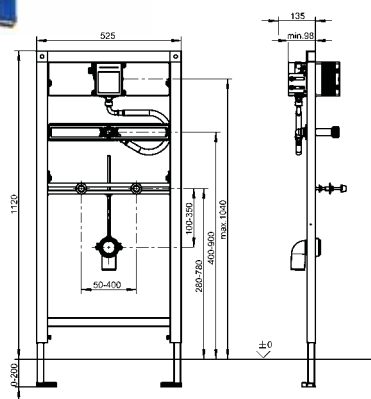
AQUAFIX: The product range includes TÜV-tested installation elements for urinals made of ceramic or stainless steel with pre-installed mounting kit.

Additionally, installation elements with mounting kits or cisterns as an installation aid, as well as designs for barrier-free WC facilities, are available for wall-mounted WCs.

Installation elements for flushing systems

AQUAFIX installation frame for urinals	244
AQUAFIX installation frame for WCs	246
AQUAFIX fastening elements	249

KWC AQUAFIX installation frame for urinals



Type

Article Number

AQUAFIX installation frame with flush valve for in-wall installation for ceramic urinals

AQUAFIX installation frame for ceramic urinals, with ready assembled basic installation kit for in-wall urinal flush valves, manually operated or touch-free, opto-electronically controlled. Self-supporting, powder-coated, steel frame construction, TÜV tested, for installation of single units in dry-wall lining, adjustable height fixing as well as tap connection and outlet mount, sound-insulated wall duct with flush connector, universal outlet bend 50 mm, urinal fixing bolts, building protection and fixing materials.

Dimensions 525 x 1120 mm (W x H)

AQFX0001

2030020123

Mandatory accessories

F5E electronic urinal flush valve for in-wall installation

F5EF3010

2030067743

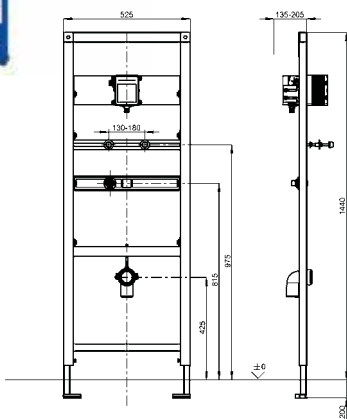
Optional accessories

AQUAFIX wall bracket set for pre-wall installation packaging unit: 2 items.

ZCMPX140

2000100867

Note: Fittings descriptions see chapter 'Flush valves'



AQUAFIX installation frame with flush valve for in-wall installation for stainless steel urinals

AQUAFIX installation frame for stainless steel urinals, with fully assembled basic installation kit for in-wall urinal flush valves, manually operated or touch-free, opto-electronically controlled. Self-supporting, powder-coated, steel frame construction, TÜV tested, for installation of single units in dry-wall lining, adjustable height fixing as well as tap connection and outlet mount, sound-insulated wall duct with G 1/2, universal outlet bend DN 50, urinal fixing bolts, building protection and fixing materials.

Dimensions 525 x 1440 mm (W x H)

AQFX0002

2000110549

Mandatory accessories

F5E electronic urinal flush valve for in-wall installation

F5EF3010

2030067743

Optional accessories

AQUAFIX wall bracket set for pre-wall installation packaging unit: 2 items.

ZCMPX140

2000100867

Note: Fittings descriptions see chapter 'Flush valves'

KWC AQUAFIX installation frame for urinals

Type	Article Number
------	----------------



AQUAFIX installation frame for stainless steel urinals with siphon control

AQUAFIX urinal installation frame for stainless steel urinals with siphon control, self-supporting powder coated steel frame construction, TÜV-tested, for individual mounting for dry-wall lining, height adjustable fastening of objects, height adjustable fitting connection and outlet mount, premounted for KWC urinal CMPX538, sound-insulated wall duct G 1/2, universal outlet bend DN 50, urinal fastening bolts, building protection and fixing material.

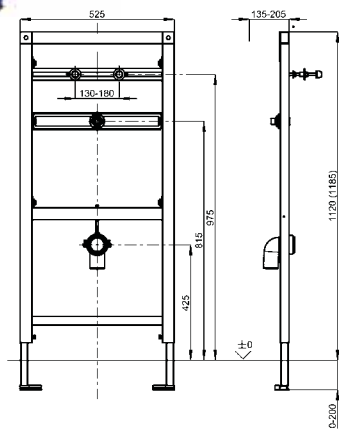
Dimensions 525 x 1120 mm (W x H)

CMPX136	2030020069
----------------	------------

Optional accessories

AQUAFIX wall bracket set for pre-wall installation packaging unit: 2 items.

ZCMPX140	2000100867
-----------------	------------



AQUAFIX installation frame for waterfree urinals

AQUAFIX urinal installation frame for waterfree urinals, self-supporting powder coated steel frame construction, TÜV-tested, for individual mounting for dry-wall lining, height adjustable fastening of objects and outlet mount, premounted for KWC urinal CMPX538WF, universal outlet bend DN 50, urinal fastening bolts, building protection, fixing material and mounting instruction.

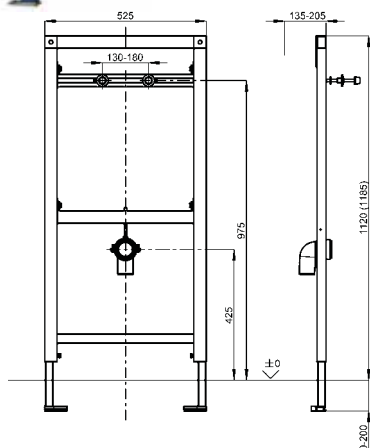
Dimensions 525 x 1120 mm (W x H)

CMPX137	2030020070
----------------	------------

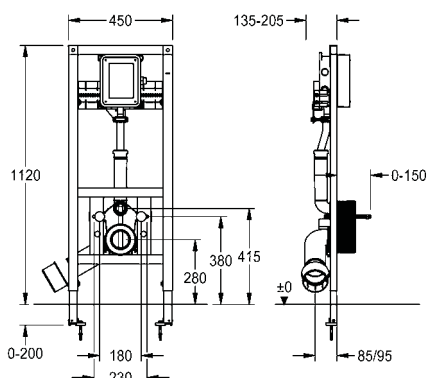
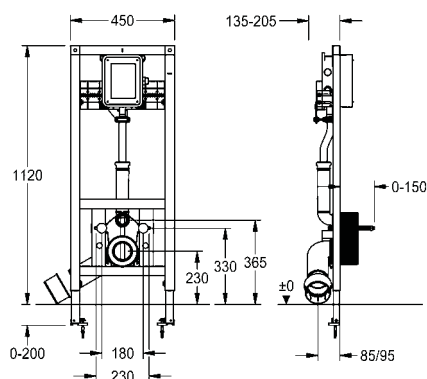
Optional accessories

AQUAFIX wall bracket set for pre-wall installation packaging unit: 2 items.

ZCMPX140	2000100867
-----------------	------------



KWC AQUAFIX installation frame for WCs



Type	Article Number
------	----------------

NEW

AQUAFIX installation frame with WC flush valve for in-wall installation

AQUAFIX installation frame for wall-mounted toilet bowls, with pre-fitted basic installation kit for KWC WC flush valves for in-wall installation. Self-supporting, powder-coated steel frame construction, TÜV tested, for installation of single units in dry wall lining, mounting bracket 4-fold adjustable for 90 / 100 mm toilet-connecting elbow, complete with inlet and outlet tap kit, retaining bolts for toilet, building protection and fixing materials.

Dimensions 450 x 1120 mm (W x H)

AQFX0012	3600005980
-----------------	------------

Mandatory accessories (optionally)

F3S WC flush valve for in-wall installation

F3SF4003	3600005979
-----------------	------------

F3S WC flush valve, especially suitable for facilities at risk of vandalism

F3SF4002	2030068201
-----------------	------------

F5E electronic WC flush valve for in-wall installation

F5EF4008	3600000383
-----------------	------------

F5E - A3000 open electronic WC flush valve for in-wall installation, with piezo push-button

F5EF4007	3600005635
-----------------	------------

F5E - A3000 open electronic WC flush valve for in-wall installation, especially suitable for facilities at risk of vandalism

F5EF4005	2030068203
-----------------	------------

Optional accessories

AQUAFIX wall bracket set for pre-wall installation, packaging unit: 2 items.

ZCMPX140	2000100867
-----------------	------------

NEW

AQUAFIX installation frame for barrier-free WC systems, with WC flush valve for in-wall installation

AQUAFIX installation frame for barrier-free wall-mounted toilet bowls, with pre-fitted basic installation kit for KWC WC flush valves for in-wall installation. Self-supporting, powder-coated steel frame construction, TÜV tested, for installation of single units in dry wall lining, mounting bracket 4-fold adjustable for 90 / 100 mm toilet-connecting elbow, complete with inlet and outlet tap kit, retaining bolts for toilet, building protection and fixing materials.

Dimensions 450 x 1120 mm (W x H)

AQFX0013	3600005981
-----------------	------------

Mandatory accessories (optionally)

F3S WC flush valve for in-wall installation

F3SF4003	3600005979
-----------------	------------

F3S WC flush valve, especially suitable for facilities at risk of vandalism

F3SF4002	2030068201
-----------------	------------

F5E electronic WC flush valve for in-wall installation

F5EF4008	3600000383
-----------------	------------

F5E - A3000 open electronic WC flush valve for in-wall installation, with piezo push-button

F5EF4007	3600005635
-----------------	------------

F5E - A3000 open electronic WC flush valve for in-wall installation, especially suitable for facilities at risk of vandalism

F5EF4005	2030068203
-----------------	------------

Optional accessories

AQUAFIX wall bracket set for pre-wall installation, packaging unit: 2 items.

ZCMPX140	2000100867
-----------------	------------

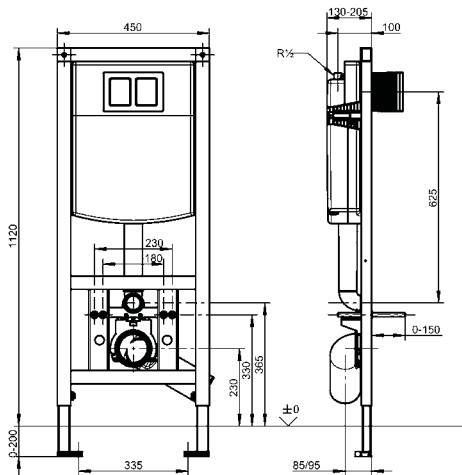
Subframe for right-hand installation

AQFX0003	2030019966
-----------------	------------

Subframe for left-hand installation

AQFX0004	2030019974
-----------------	------------

KWC AQUAFIX installation frame for WCs



Type	Article Number
------	----------------

AQUAFIX installation frame for WC pan, with wall-installation cistern

AQUAFIX installation element for wall-mounted toilet bowl, with wall-installation cistern. Self-supporting, powder coated steel-frame construction, TÜV tested, for individual mounting for dry-wall lining. Concealed toilet cistern with water condensation insulation, with dual-volume flushing (7,5-4,5 l or 4-2 l) or Start/Stop flushing, triggering function transferred via flexible pressure spirals, charge valve noise group I, mounting bracket 4-fold adjustable for toilet-connecting elbow DN 90 / DN 100, complete with flexible connecting hose, toilet-connecting elbow, retaining bolts for toilet, building protection and fastening material.

Dimensions 450 x 1120 mm (W x H)

AQFX0006	2030020126
-----------------	------------

Mandatory accessories (optionally)

Flushing plate made of stainless steel with one button

AQUA557	2000067429
----------------	------------

Flushing plate made of stainless steel with two buttons for dual flushing or start/stop flush

AQUA555	2000067493
----------------	------------

EXOS. - A3000 open electronic WC controller for cistern

EXOS0027	2030036621
-----------------	------------

AQUATIMER - A3000 open electronic WC controller for cistern, with piezo switch

AT300051	2030021142
-----------------	------------

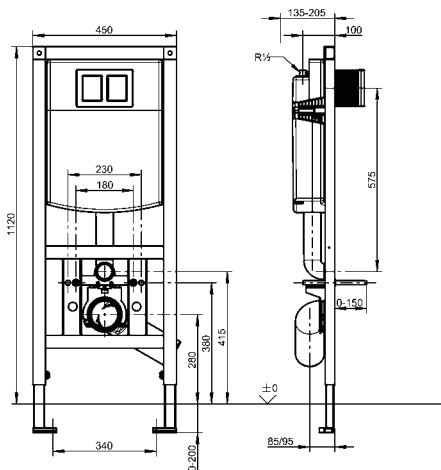
Optional accessories

AQUAFIX wall bracket set for pre-wall installation, packaging unit: 2 items.

ZCMPX140	2000100867
-----------------	------------

Note: Fittings descriptions see chapter 'Flush valves'

KWC AQUAFIX installation frame for WCs



Type	Article Number
------	----------------

AQUAFIX installation frame for WC pan, barrier-free, with wall-installation cistern

AQUAFIX installation frame for barrier-free wall-mounted toilet bowl, with wall-installation cistern. Self-supporting, powder coated steel-frame construction, TÜV tested, for individual mounting for dry-wall lining. Concealed toilet cistern with watercondensation insulation, with dual-volume flushing (7,5-4,5 l or 4-2 l) or Start/Stop flushing, triggering function transferred via flexible pressure spirals, charge valve noise group I, mounting bracket 4-fold adjustable for toilet- connecting elbow DN 90 / DN 100, complete with flexible connecting hose, toilet-connecting elbow, retaining bolts for toilet, building protection and fastening material.

Dimensions 450 x 1120 mm (W x H)

AQFX007	2030020128
----------------	------------

Mandatory accessories

Flushing plate made of stainless steel with one button

AQUA557	2000067429
----------------	------------

Flushing plate made of stainless steel with two buttons for dual flushing or start/stop flush

AQUA555	2000067493
----------------	------------

AQUATIMER - A3000 open electronic WC controller for cistern, with piezo switch

AT3O0051	2030021142
-----------------	------------

EXOS. - A3000 open electronic WC controller for cistern

EXOS0027	2030036621
-----------------	------------

Optional accessories

AQUAFIX wall bracket set for pre-wall installation, packaging unit: 2 items.

ZCMPX140	2000100867
-----------------	------------

Subframe for right-hand installation

AQFX0003	2030019966
-----------------	------------

Subframe for left-hand installation

AQFX0004	2030019974
-----------------	------------

Note: Fittings descriptions see chapter 'Flush valves'

KWC AQUAFIX fastening elements

Type	Article Number
------	----------------



AQUAFIX subframe for attaching grab rails / handles to for right-hand

AQUAFIX subframe for attaching grab rails / handles to for **right**-hand installation on the installation frame, self-supporting powder coated steel-frame construction, TÜV tested, for individual mounting for dry-wall lining, 2 fixing points, completely preassembled, with water-resistant, multi-bonded laminated wood panel, universally adjustable height, mounting material included.

Dimensions 300 x 1120 mm (W x H)

AQFX0003 2030019966

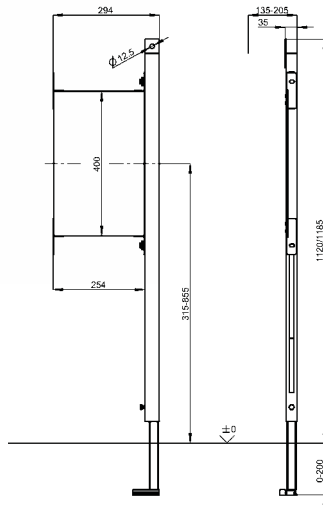
Subframe for **left**-hand installation

AQFX0004 2030019974

Optional accessories

AQUAFIX wall bracket set for pre-wall installation, packaging unit: 2 items.

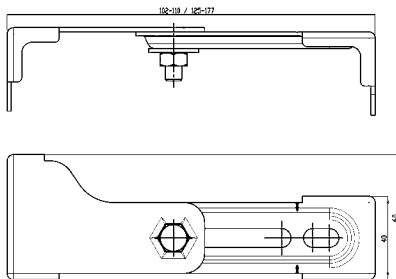
ZCMPX140 2000100867



AQUAFIX wall bracket

AQUAFIX wall brackets for pre-wall installation, for fastening AQUAFIX installation elements on masonry or in front of the single plank wall, continuously adjustable in depth, for individual mounting, galvanized steel, fixing material included, packing unit 2 pieces.

ZCMPX140 2000100867





Accessories

EXOS. | STRATOS | RODAN

Modern, functional and hygienic accessories provide professionals with suitable solutions for designing washroom and toilet facilities.

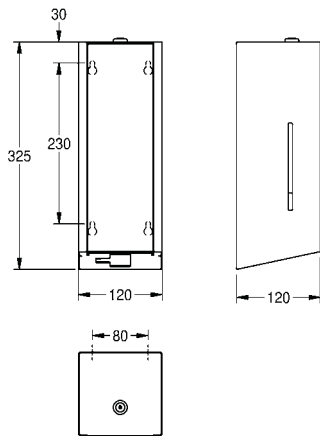
With the EXOS., STRATOS and RODAN lines, finding easy-to-clean sanitary fittings has never been simpler.

EXOS. Accessories add new highlights: Clear design statements, modular systems and the combination of high-quality materials such as glass and stainless steel are brought together to create surface-mounted or flush-mounted solutions that are perfectly shaped and blend into any architecture.

Accessories for wall mounting and recessed mounting

EXOS. soap dispensers	252
EXOS. disinfectant dispensers	255
EXOS. hand dryer, paper towel dispensers	256
EXOS. waste bins	258
EXOS. combination, toilet roll holders, toilet brush holder	260
STRATOS Accessories	262
RODAN Accessories	278
Supplementary accessories	294

KWC EXOS. soap dispensers



Type	Article Number
------	----------------

INOX PLUS

EXOS. electronic soap dispenser for wall mounting

EXOS. Touch free soap dispenser for wall mounting, stainless steel with satin finish, front and casing with InoxPlus surface refinement for the reduction of finger marks and better cleaning characteristics (easy to clean), material thickness 1.2 mm, inspection window on side, infrared sensor activity for non-touch operation, LED display shows battery status, requires 4 pieces 1.5 V AA batteries, suitable for liquid soap and lotions, includes 800 ml refill tank, dispenses 0.6 - 1.1 ml depending on soap, mounting height should be at least 300 mm above wash basin or table top, includes mounting materials.

Dimensions 120 x 325 x 120 mm (W x H x D)

EXOS625X	2030022942
InoxPlus-coated main housing, black toughened safety glass front panel	
EXOS625B	2030022943
InoxPlus-coated main housing, white toughened safety glass front panel	
EXOS625W	2030025231

Optional accessories

Stand Premium, for KWC touch-free disinfectant/soap dispensers

GLX2020	2030062801
----------------	------------

Hose with outlet valve for disinfectant

EACCS055	2000103333
-----------------	------------

Consumables

Liquid soap, 1 litre, 6 bottles per pack

SO1LP	2030058103
--------------	------------

Liquid soap, in 10 litre canister

SO10L	2000057168
--------------	------------

INOX PLUS

EXOS. electronic soap dispenser for recessed mounting

Touch free soap dispenser for recessed mounting, stainless steel with satin finish, front and casing with InoxPlus surface refinement for the reduction of finger marks and better cleaning characteristics (easy to clean), material thickness 1.2 mm, infrared sensor activity for non-touch operation, LED display shows battery status, requires 4 pieces 1.5 V AA batteries, suitable for liquid soap and lotions, includes 800 ml refill tank, dispenses 0.6 - 1.1 ml depending on soap, includes mounting materials.

Dimensions 124 x 500 x 120 mm (W x H x D)

EXOS625EX	2030034639
InoxPlus-coated main housing, black toughened safety glass front panel	
EXOS625EB	2030034641
InoxPlus-coated main housing, white toughened safety glass front panel	
EXOS625EW	2030034668

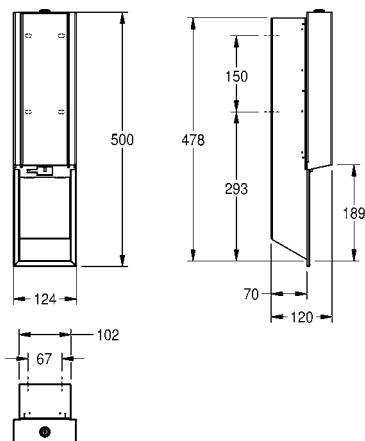
Consumables

Liquid soap, 1 litre, 6 bottles per pack

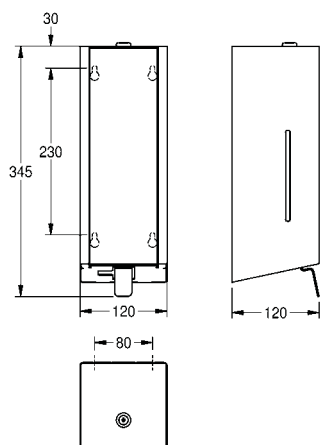
SO1LP	2030058103
--------------	------------

Liquid soap, in 10 litre canister

SO10L	2000057168
--------------	------------



KWC EXOS. soap dispensers



Type	Article Number
------	----------------

INOX PLUS

EXOS. soap dispenser for wall mounting

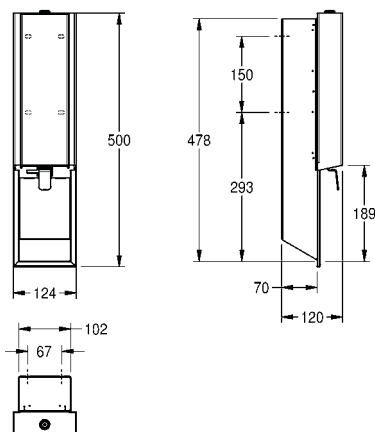
Soap dispenser for wall mounting, stainless steel with satin finish, front and casing with InoxPlus surface refinement for the reduction of finger marks and better cleaning characteristics (easy to clean), material thickness 1.2 mm, inspection window on side, suitable for liquid soap and lotions, 800 ml refill tank, with stainless steel push lever, easy to refill with soap tank on front panel, includes mounting materials.

Dimensions 120 x 345 x 120 mm (W x H x D)

EXOS618X	2030022939
InoxPlus-coated main housing, black toughened safety glass front panel	
EXOS618B	2030022940
InoxPlus-coated main housing, white toughened safety glass front panel	
EXOS618W	2030025230

Consumables

Liquid soap, 1 litre, 6 bottles per pack	
SO1LP	2030058103
Liquid soap, in 10 litre canister	
SO10L	2000057168



INOX PLUS

EXOS. soap dispenser for recessed mounting

Soap dispenser for recessed mounting, stainless steel with satin finish, front and casing with InoxPlus surface refinement for the reduction of finger marks and better cleaning characteristics (easy to clean), material thickness 1.2 mm, suitable for liquid soap and lotions, 800 ml refill tank, with stainless steel push lever, easy to refill with soap tank on front panel, includes mounting materials.

Dimensions 124 x 500 x 120 mm (W x H x D)

EXOS618EX	2030034637
InoxPlus-coated main housing, black toughened safety glass front panel	
EXOS618EB	2030034638
InoxPlus-coated main housing, white toughened safety glass front panel	
EXOS618EW	2030034667

Consumables

Liquid soap, 1 litre, 6 bottles per pack	
SO1LP	2030058103
Liquid soap, in 10 litre canister	
SO10L	2000057168

KWC EXOS. soap dispensers

Type	Article Number
------	----------------

INOX PLUS

EXOS. foam soap dispenser for wall mounting

Foam soap dispenser for wall mounting, stainless steel with satin finish, front and casing with InoxPlus surface refinement for the reduction of finger marks and better cleaning characteristics (easy to clean), material thickness 1.2 mm, inspection window on side, with stainless steel pull lever, suitable for KWC foam soap, includes mounting materials and 650 ml KWC foam soap.

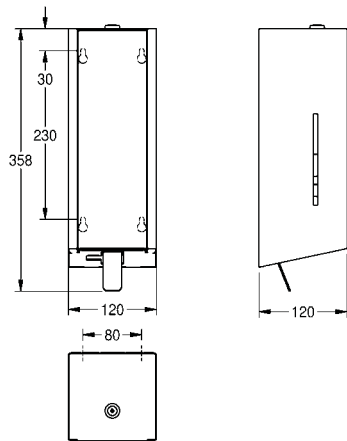
Dimensions 120 x 357 x 120 mm (W x H x D)

EXOS616X	2030022945
InoxPlus-coated main housing, black toughened safety glass front panel	
EXOS616B	2030022946
InoxPlus-coated main housing, white toughened safety glass front panel	
EXOS616W	2030025232

Consumables

Foam soap cartridge, 650 ml, 9 cartridges per pack

EXINX616FP	2030058766
-------------------	------------



INOX PLUS

EXOS. foam soap dispenser for recessed mounting

Foam soap dispenser for recessed mounting, stainless steel with satin finish, front and casing with InoxPlus surface refinement for the reduction of finger marks and better cleaning characteristics (easy to clean), material thickness 1.2 mm, with stainless steel pull lever, suitable for KWC foam soap, includes mounting materials and 650 ml KWC foam soap.

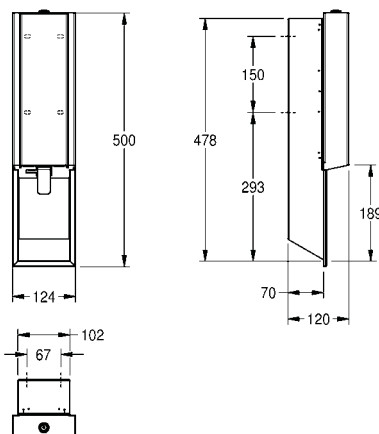
Dimensions 124 x 500 x 120 mm (W x H x D)

EXOS616EX	2030034634
InoxPlus-coated main housing, black toughened safety glass front panel	
EXOS616EB	2030034636
InoxPlus-coated main housing, white toughened safety glass front panel	
EXOS616EW	2030034666

Consumables

Foam soap cartridge, 650 ml, 9 cartridges per pack

EXINX616FP	2030058766
-------------------	------------



KWC EXOS. disinfectant dispensers

Type Article Number



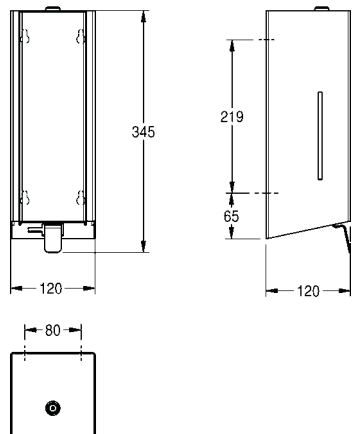
INOX PLUS

EXOS. disinfectant dispenser for wall mounting

EXOS, disinfectant dispenser, for wall mounting, stainless steel with satin finish, front and casing with InoxPlus surface refinement for the reduction of finger marks and better cleaning characteristics (easy to clean), material thickness 1,2 mm, inspection window on the side, front cover with application note, suitable for disinfectant and lotions, includes 800 ml refill tank, with stainless steel pull lever, front sided dispensing mechanism allows easy refilling, includes mounting materials.

Dimensions 120 x 345 x 120 mm (W x H x D)

EXOS629X 2030062588



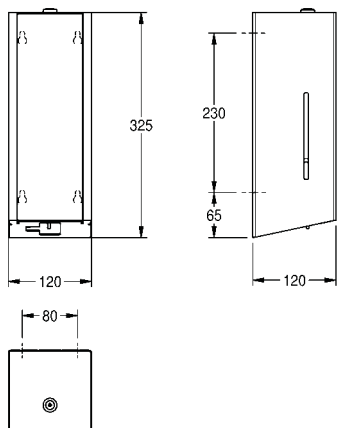
INOX PLUS

EXOS. electronic disinfectant dispenser for wall mounting

EXOS, disinfectant dispenser, touch free, for wall mounting, stainless steel with satin finish, front and casing with InoxPlus surface refinement for the reduction of finger marks and better cleaning characteristics (easy to clean), material thickness 1,2 mm, inspection window on the side, front cover with operating instructions, infrared sensor activity for non-touch operation, LED display shows battery status, requires 4 pieces 1,5V AA batteries, suitable for disinfectant and lotions, includes 800 ml refill tank, depending on disinfectant between 0,6 and 1,1 ml is dispensed, mounting height at least 300 mm above wash basin or table top, includes mounting materials.

Dimensions 120 x 325 x 120 mm (W x H x D)

EXOS627X 2030062512



Optional accessories

Stand Premium, for KWC touch-free disinfectant/soap dispensers

GLX2020 2030062801



Premium Stand

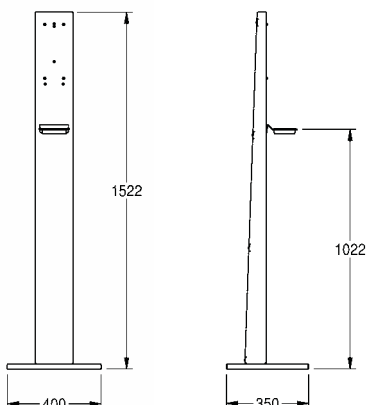
Premium Stand, free-standing, stainless steel with satin finish, material thickness 1.5 mm, comes with black plastic drip tray, provision threaded holes and fixing screws, compatible to mount KWC touch-free disinfectant/soap dispensers, mounting material included.

Dimensions 400 x 1522 x 350 mm (W x H x D)

Dimensions base plate 400 x 22 x 350 mm (W x H x D)

Dispensers not in scope of delivery.

GLX2020 2030062801



KWC EXOS. hand dryer, paper towel dispensers

Type	Article Number
------	----------------

INOX PLUS

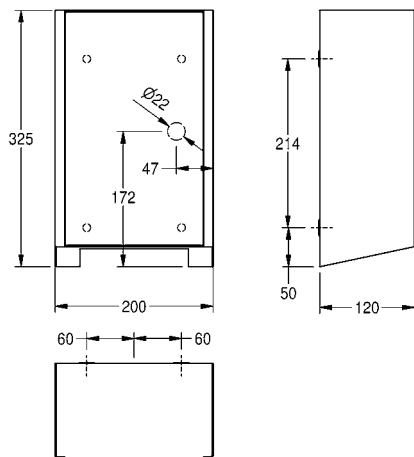
EXOS. hand dryers



Hand dryer for wall mounting, stainless steel with satin-finish and InoxPlus surface refinement for the reduction of finger marks and better cleaning characteristics (easy to clean), material thickness 1.2 mm, with contactless opto-electronic sensor for touch-free operation, adjustable hot air temperature, sensor range adjustable from 10 to 25 cm, protection from continuous operation with automatic switch-off after 60 seconds, air speed adjustable, cable and plug not included.

Operating voltage 220-240V AC, 50-60 Hz
 Total power 800-1000 W
 Heater 500 W
 Motor 500 W
 Air volume 80 m³/h
 Air velocity 95 - 115 m/s

Dimensions 200 x 325 x 120 mm (W x H x D)



EXOS220X	2030027981
InoxPlus-coated main housing, black toughened safety glass front panel	
EXOS220B	2030034622
InoxPlus-coated main housing, white toughened safety glass front panel	
EXOS220W	2030034660

INOX PLUS

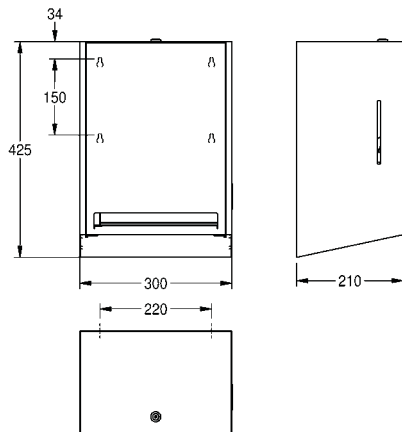
EXOS. paper towel dispenser for wall mounting



Manual paper towel dispenser for wall mounting, stainless steel with satin finish, front and casing with InoxPlus surface refinement for the reduction of finger marks and better cleaning characteristics (easy to clean), material thickness 1.2 mm, maximum roll width 205 mm, maximum roll diameter 200 mm, paper perforation length 260 mm, adjustable paper roll holder for optimised paper dispensing, includes mounting materials.

Dimensions 300 x 425 x 210 mm (W x H x D)

EXOS637X	2030022950
InoxPlus-coated main housing, black toughened safety glass front panel	
EXOS637B	2030022951
InoxPlus-coated main housing, white toughened safety glass front panel	
EXOS637W	2030025233



KWC EXOS. paper towel dispensers

Type	Article Number
------	----------------

INOX PLUS**EXOS. paper towel dispenser for wall mounting**

Paper towel dispenser for wall mounting, stainless steel with satin finish, front and casing with InoxPlus surface refinement for the reduction of finger marks and better cleaning characteristics (easy to clean), material thickness 1.2 mm, inspection window on side, capacity 300 - 400 pieces of Z-folded paper, includes mounting materials.

Dimensions 300 x 325 x 120 mm (W x H x D)

EXOS600X	2030022933
-----------------	------------

InoxPlus-coated main housing, white toughened safety glass front panel

EXOS600W	2030025229
-----------------	------------

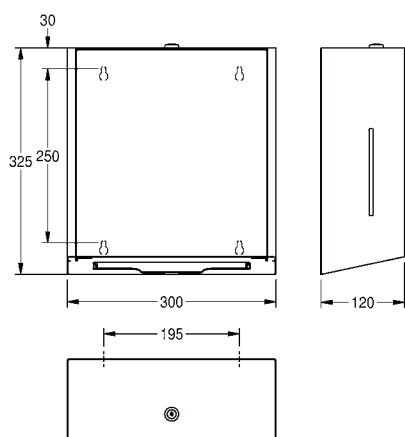
InoxPlus-coated main housing, black toughened safety glass front panel

EXOS600B	2030022934
-----------------	------------

Consumables

Folded paper towels, 225 items per pack, 20 packs per case.

FH70P	2030072378
--------------	------------

**INOX PLUS****EXOS. paper towel dispenser for recessed mounting**

Paper towel dispenser for recessed mounting, stainless steel with satin finish, front and casing with InoxPlus surface refinement for the reduction of finger marks and better cleaning characteristics (easy to clean), material thickness 1.2 mm, capacity 300 - 400 pieces of Z-folded paper, includes mounting materials.

Dimensions 304 x 500 x 120 mm (W x H x D)

EXOS600EX	2030034624
------------------	------------

InoxPlus-coated main housing, black toughened safety glass front panel

EXOS600EB	2030034625
------------------	------------

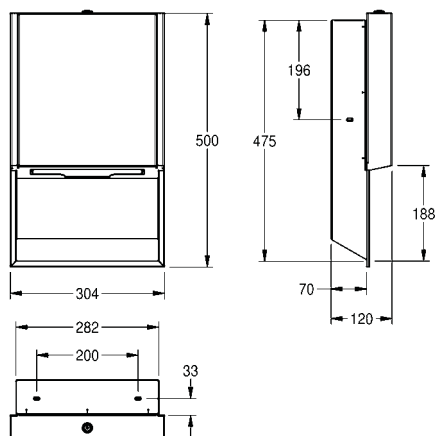
InoxPlus-coated main housing, white toughened safety glass front panel

EXOS600EW	2030034662
------------------	------------

Consumables

Folded paper towels, 225 items per pack, 20 packs per case.

FH70P	2030072378
--------------	------------



KWC EXOS. waste bins

Type **Article Number**

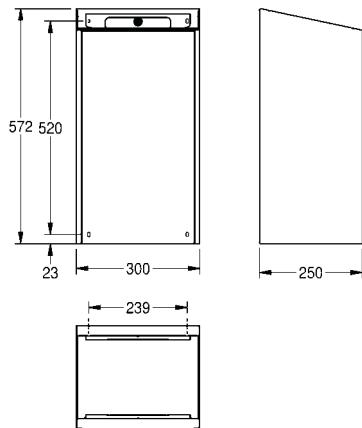
INOX PLUS

EXOS. waste bin for wall mounting

Waste bin for wall mounting, stainless steel with satin finish, front and casing with InoxPlus surface refinement for the reduction of finger marks and better cleaning characteristics (easy to clean), material thickness 1.2 mm, capacity approximate 30 litres, integrated bag holder, includes mounting bracket and mounting materials.

Dimensions 300 x 572 x 250 mm (W x H x D)

EXOS605X	2030022928
InoxPlus-coated main housing, black toughened safety glass front panel	
EXOS605B	2030022929
InoxPlus-coated main housing, white toughened safety glass front panel	
EXOS605W	2030025228



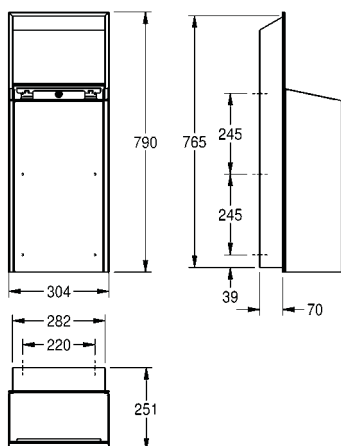
INOX PLUS

EXOS. waste bin for recessed mounting

Waste bin for recessed mounting, stainless steel with satin finish, front and casing with InoxPlus surface refinement for the reduction of finger marks and better cleaning characteristics (easy to clean), material thickness 1.2 mm, capacity approximate 30 litres, integrated bag holder, includes mounting materials.

Dimensions 304 x 790 x 251 mm (W x H x D)

EXOS605EX	2030034628
InoxPlus-coated main housing, black toughened safety glass front panel	
EXOS605EB	2030034629
InoxPlus-coated main housing, white toughened safety glass front panel	
EXOS605EW	2030034664



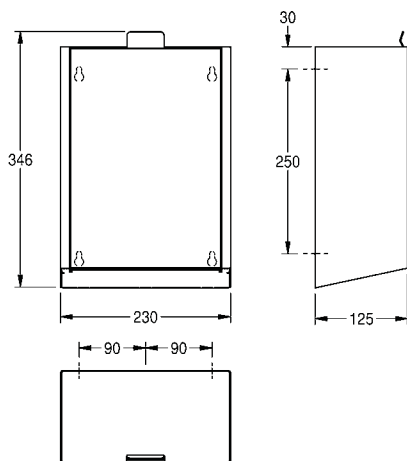
Type Article Number

INOX PLUS

EXOS. hygiene waste bin for wall mounting

Hygiene waste bin for wall mounting, stainless steel with satin finish and InoxPlus surface refinement for the reduction of finger marks and better cleaning characteristics (easy to clean), material thickness 1.2 mm, capacity approx. 3.7 litres, hinged self-closing front, integrated plastic container for waste removal, includes mounting materials.

Dimensions 230 x 346 x 125 mm (W x H x D)



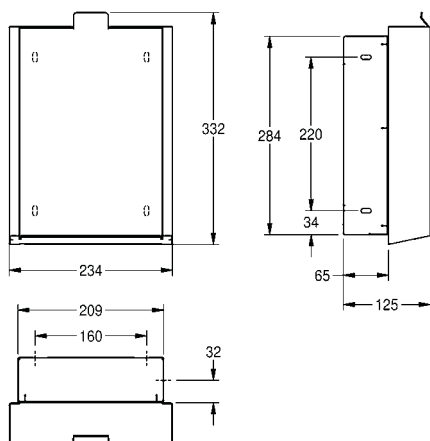
EXOS611X	2030028001
InoxPlus-coated main housing, black toughened safety glass front panel	
EXOS611B	2030030108
InoxPlus-coated main housing, white toughened safety glass front panel	
EXOS611W	2030030111

INOX PLUS

EXOS. hygiene waste bin for recessed mounting

Hygiene waste bin for recessed mounting, stainless steel with satin finish and InoxPlus surface refinement for the reduction of finger marks and better cleaning characteristics (easy to clean), material thickness 1.2 mm, capacity approx. 3.7 litres, hinged self-closing front, integrated plastic container for waste removal, includes mounting materials.

Dimensions 234 x 332 x 125 mm (W x H x D)



EXOS611EX	2030034630
InoxPlus-coated main housing, black toughened safety glass front panel	
EXOS611EB	2030034631
InoxPlus-coated main housing, white toughened safety glass front panel	
EXOS611EW	2030034665

KWC EXOS. combination, toilet roll holders

Type Article Number



INOX PLUS

EXOS. paper towel dispenser and waste bin combination for recessed mounting

Paper towel dispenser and waste bin combination for recessed mounting, stainless steel with satin finished, front with InoxPlus surface refinement for the reduction of finger marks and better cleaning characteristics (easy to clean), material thickness 1.2 mm, capacity paper towel dispenser 300 - 400 pieces of Z-folded paper depending on convolution, waste bin with approx. 30 liter capacity, integrated bag holder, includes mounting bracket and mounting materials.

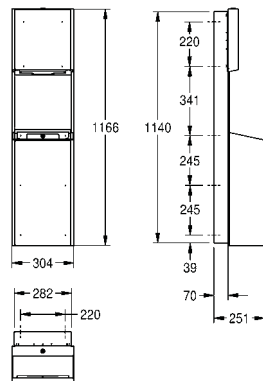
Dimensions 304 x 1166 x 251 mm (W x H x D)

EXOS602EX	2030034626
InoxPlus-coated main housing, black toughened safety glass front panel	
EXOS602EB	2030034627
InoxPlus-coated main housing, white toughened safety glass front panel	
EXOS602EW	2030034663

Consumables

Folded paper towels, 225 items per pack, 20 packs per case.

FH70P	2030072378
--------------	------------



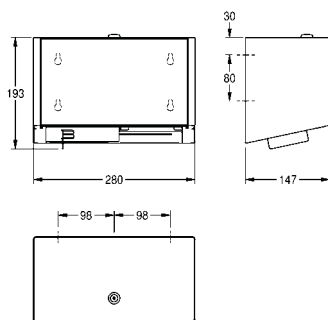
INOX PLUS

EXOS. double toilet roll holder for wall mounting

Double toilet roll holder with spindle system for wall mounting, stainless steel with satin finish and InoxPlus surface refinement for the reduction of finger marks and better cleaning characteristics (easy to clean), material thickness 1.2 mm, closed casing, for two rolls with a maximum diameter of 120 mm, when the first roll is used up, the hidden spare roll is released by sliding the bottom cover on the opposite side, includes mounting materials.

Dimensions 280 x 193 x 147 mm (W x H x D)

EXOS676X	2030033180
InoxPlus-coated main housing, black toughened safety glass front panel	
EXOS676B	2030034645
InoxPlus-coated main housing, white toughened safety glass front panel	
EXOS676W	2030034670



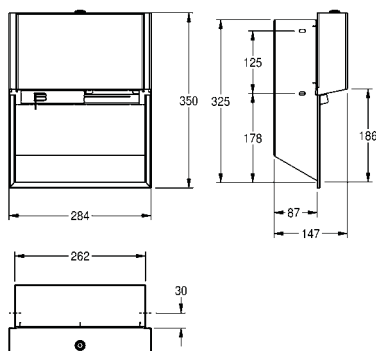
INOX PLUS

EXOS. double toilet roll holder for recessed mounting

Double toilet roll holder with spindle system for recessed mounting, stainless steel with satin finish and InoxPlus surface refinement for the reduction of finger marks and better cleaning characteristics (easy to clean), material thickness 1.2 mm, closed casing, for two rolls with a maximum diameter of 120 mm, when the first roll is used up, the hidden spare roll is released by sliding the bottom cover on the opposite side, includes mounting materials.

Dimensions 284 x 350 x 147 mm (W x H x D)

EXOS676EX	2030034642
InoxPlus-coated main housing, black toughened safety glass front panel	
EXOS676EB	2030034644
InoxPlus-coated main housing, white toughened safety glass front panel	
EXOS676EW	2030034669



KWC EXOS. toilet roll holders, toilet brush holder

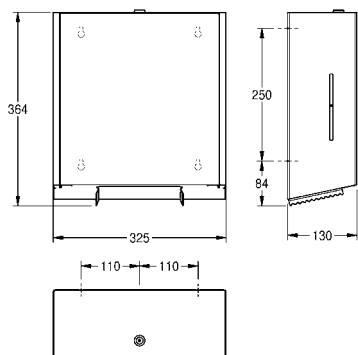
Type	Article Number
------	----------------

**INOX PLUS****EXOS. jumbo toilet roll holder**

Jumbo toilet roll holder for wall mounting, chromium nickel steel, with satin-finish and InoxPlus surface refinement for the reduction of finger marks making it easier to clean. Material thickness 1.2 mm, closed casing with inspection windows on the side, paper dispensed with two serrated tear-off edges, cylinder lock with KWC standard key, for one jumbo roll with a maximum diameter of 280 mm and a tube measuring 40 mm, includes mounting materials.

Dimensions 325 x 364 x 130 mm (W x H x D)

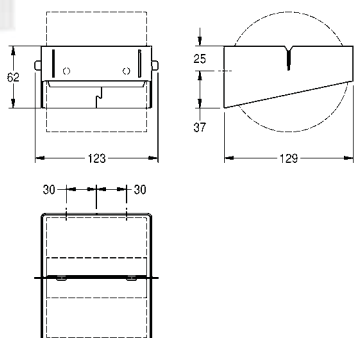
EXOS670X	2030028245
-----------------	------------

**INOX PLUS****EXOS. toilet roll holder**

Toilet roll holder for wall mounting, stainless steel with satin finish and InoxPlus surface refinement, material thickness 1.5 mm, for rolls with a maximum diameter of 120 mm, stainless steel spindle with integrated roll stop function, includes mounting materials.

Dimensions 123 x 62 x 129 mm (W x H x D)

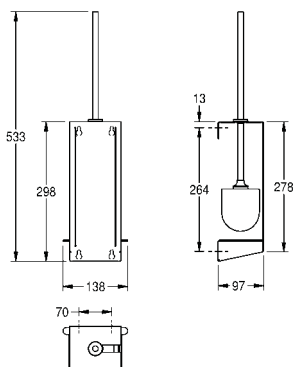
EXOS675X	2030031170
-----------------	------------

**INOX PLUS****EXOS. toilet brush holder**

Toilet brush holder for wall mounting, stainless steel with satin finish and InoxPlus surface refinement, material thickness 1.5 mm, closed casing to the front, brush withdrawal at the right, brush with stainless steel handle and black nylon brush head, removable plastic drip tray, includes mounting materials.

Dimensions 110 x 298 x 97 mm (W x H x D)

EXOS687X	2030027995
-----------------	------------





STRATOS Accessories

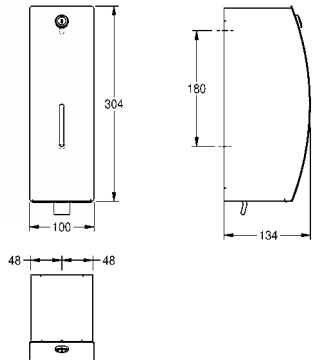
With STRATOS accessories, the sanitary facilities stay cleaner for longer, this is due to the front of these products being coated with the proven InoxPlus surface treatment. In this process, nano-particles interlock with the molecules of the metal surface and nestle closely up against microscopic imperfections. This results in an extremely fine structure makes fingerprints almost invisible. The series includes products for both wall and recessed mounting.

Accessories for wall mounting and recessed mounting

STRATOS soap dispensers	264
STRATOS disinfectant dispensers	266
STRATOS hand dryer	267
STRATOS paper towel dispensers	267
STRATOS waste bin, combination	270
STRATOS toilet roll holders	273
STRATOS dispensers, toilet brush holder	275
STRATOS clothes hooks, shelf	277

KWC STRATOS soap dispensers

Type **Article Number**



INOX PLUS

STRATOS soap dispenser for wall mounting

Soap dispenser for wall mounting, stainless steel, surface satin finished, front with InoxPlus surface refinement for the reduction of finger marks and better cleaning characteristics (easy to clean), material thickness 1.5 mm, curved front cover, cylinder lock with KWC standard key, inspection window on front, suitable for liquid soaps and lotions, 0.8 liter soap tank, with plastic pull lever, includes stainless steel screws and dowels.

Dimensions 100 x 304 x 134 mm (W x H x D)

STRX618 2000057379

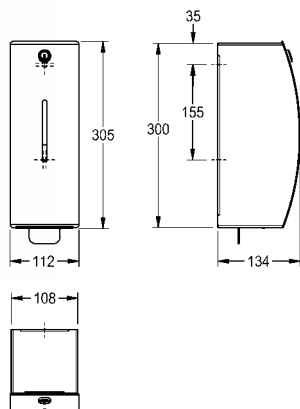
Consumables

Liquid soap, 1 litre, 6 bottles per pack

SO1LP 2030058103

Liquid soap, in 10 litre canister

SO10L 2000057168



INOX PLUS

STRATOS foam soap dispenser for wall mounting

Foam soap dispenser for wall mounting, stainless steel, surface satin finished, front with InoxPlus surface refinement for the reduction of finger marks and better cleaning characteristics (easy to clean), material thickness 1.5 mm, curved front cover, cylinder lock with KWC standard key, inspection window on front, suitable for KWC foam soap, one bottle 650 ml foam soap included in first delivery, stainless steel pull lever, includes stainless steel screws and dowels.

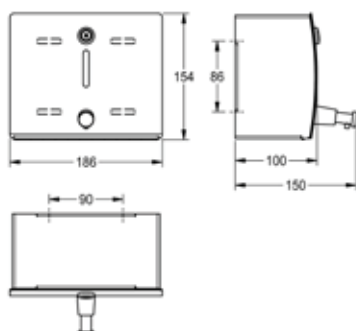
Dimensions 112 x 305 x 134 mm (W x H x D)

STRX616 2000100001

Consumables

Foam soap cartridge, 650 ml, 9 cartridges per pack

EXINX616FP 2030058766



INOX PLUS

STRATOS soap dispenser for wall mounting

STRATOS Soap dispenser for wall mounting, stainless steel, surface satin finished, front with InoxPlus surface refinement for the reduction of finger marks and better cleaning characteristics (easy to clean), material thickness 1.5 mm, curved front cover, cylinder lock with KWC standard key, inspection window on front, suitable for liquid soaps and lotions, 1 liter soap tank, push button on front, includes stainless steel screws and dowels.

Dimensions 186 x 154 x 150 mm (W x H x D)

STRX619N 3600009352

Consumables

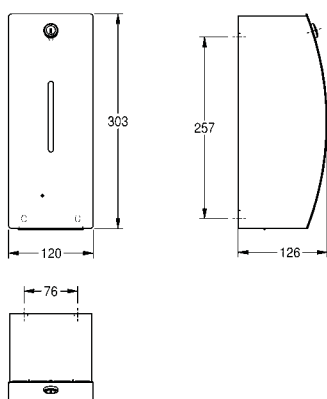
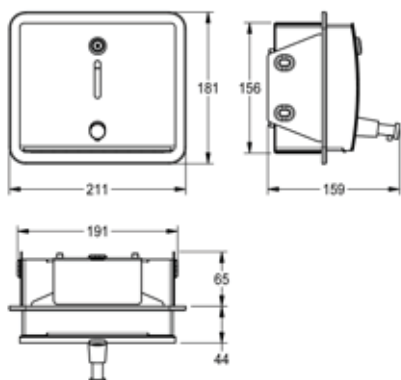
Liquid soap, 1 litre, 6 bottles per pack

SO1LP 2030058103

Liquid soap, in 10 litre canister

SO10L 2000057168

KWC STRATOS soap dispensers



Type	Article Number
------	----------------

INOX PLUS**STRATOS soap dispenser for recessed mounting**

STRATOS Soap dispenser for recessed mounting, stainless steel, surface satin finished, front with InoxPlus surface refinement for the reduction of finger marks and better cleaning characteristics (easy to clean), material thickness 1.5 mm, curved front cover with inspection window, cylinder lock with KWC standard key, suitable for liquid soaps and lotions, 1 liter soap tank, push button on front, includes stainless steel screws and dowels.

Dimensions 211 x 181 x 159 mm (W x H x D)

STRX619EN	3600009361
------------------	------------

Consumables

Liquid soap, 1 litre, 6 bottles per pack

SO1LP	2030058103
--------------	------------

Liquid soap, in 10 litre canister

SO10L	2000057168
--------------	------------

INOX PLUS**STRATOS electronic soap dispenser for wall mounting**

STRATOS Touch free soap dispenser for wall mounting, stainless steel, surface satin finished, front with InoxPlus surface refinement for the reduction of finger marks and better cleaning characteristics (easy to clean), material thickness 1.5 mm, curved front cover, cylinder lock with KWC standard key, inspection window on front, infrared sensor activity for non-touch operation, red light shows battery status, includes 6 pcs. 1.5 V Alkaline AA batteries, suitable for liquid soaps and lotions, 0.8 liter soap tank, depending on soap between 0.6 and 1.1 ml is dispensed, mounting height 300 mm above wash basin or table top, includes stainless steel screws and dowels.

Dimensions 120 x 303 x 126 mm (W x H x D)

STRX625	2000057388
----------------	------------

Optional accessories

Hose with outlet valve for disinfectant

EACCS057	2000103334
-----------------	------------

Stand Premium, for KWC touch-free disinfectant/soap dispensers

GLX2020	2030062801
----------------	------------

Consumables

Liquid soap, 1 litre, 6 bottles per pack

SO1LP	2030058103
--------------	------------

Liquid soap, in 10 litre canister

SO10L	2000057168
--------------	------------

KWC STRATOS disinfectant dispensers

Type	Article Number
------	----------------



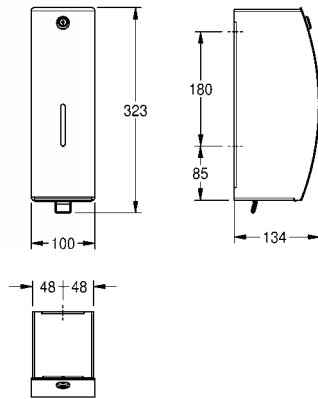
INOX PLUS

STRATOS disinfectant dispenser for wall mounting

STRATOS, disinfectant dispenser, for wall mounting, stainless steel with satin finish, front with InoxPlus surface refinement for the reduction of finger marks and better cleaning characteristics (easy to clean), material thickness 1,5 mm, curved front cover, cylinder lock with KWC standard key, inspection window on front, with application note, suitable for disinfectant and lotions, includes 800 ml refill tank, with plastic pull lever, includes mounting materials.

Dimensions 100 x 304 x 134 mm (W x H x D)

STRX629 2030062581



INOX PLUS

STRATOS electronic disinfectant dispenser for wall mounting

STRATOS, disinfectant dispenser, touch free, for wall mounting, stainless steel with satin finish, front with InoxPlus surface refinement for the reduction of finger marks and better cleaning characteristics (easy to clean), material thickness 1,5 mm, curved front cover, cylinder lock with KWC standard key, inspection window on front, front cover with operating instructions, infrared sensor activity for non-touch operation, red light shows battery status, includes 6 pieces 1,5 V Alkaline AA batteries, suitable for disinfectant and lotions, includes 800 ml refill tank, depending on disinfectant between 0,6 and 1,1 ml is dispensed, mounting height at least 300 mm above wash basin or table top, includes mounting materials.

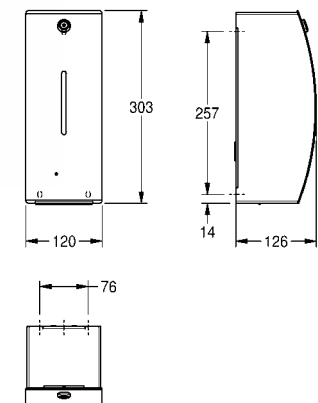
Dimensions 120 x 303 x 126 mm (W x H x D)

STRX627 2030062519

Optional accessories

Stand Premium, for KWC touch-free disinfectant/soap dispensers

GLX2020 2030062801



Premium Stand

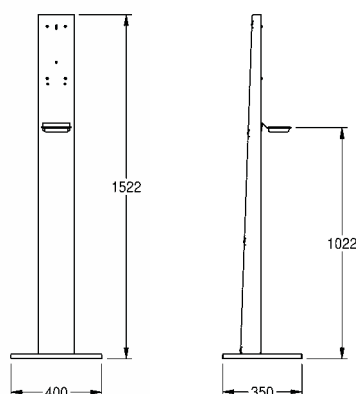
Premium Stand, free-standing, stainless steel with satin finish, material thickness 1.5 mm, comes with black plastic drip tray, provision threaded holes and fixing screws, compatible to mount KWC touch-free disinfectant/soap dispensers, mounting material included.

Dimensions 400 x 1522 x 350 mm (W x H x D)

Dimensions base plate 400 x 22 x 350 mm (W x H x D)

Dispensers not in scope of delivery.

GLX2020 2030062801



KWC STRATOS hand dryer, paper towel dispensers

Type	Article Number
------	----------------

**INOX PLUS****STRATOS electronic hand dryer**

Touch free electronic warm air hand dryer for wall mounting, stainless steel, surface satin finished, front with InoxPlus surface refinement for the reduction of finger marks and better cleaning characteristics (easy to clean), material thickness 1.5mm, curved front cover, infra-red sensor activity for non-touch operation, adjustable warm air temperature, sensor range adjustable from 10 to 25 cm, automatic power shut-off after 60 seconds, adjustable air velocity allows to shorten the drying time considerably, cable and plug not included.

Operating voltage 220-240V AC, 50-60 Hz

Total power 800-1000 W

Heater 500 W

Motor 500 W

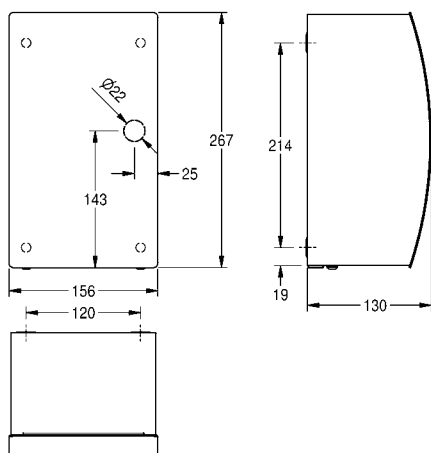
Air volume 80 m³/h

Air velocity 95 - 115 m/s

Dimensions 156 x 267 x 130 mm (W x H x D)

STRX220

2030027296

**INOX PLUS****STRATOS paper towel dispenser for wall mounting**

Paper towel dispenser for wall mounting, stainless steel, surface satin finished, front with InoxPlus surface refinement for the reduction of finger marks and better cleaning characteristics (easy to clean), material thickness 1.5 mm, curved front cover, cylinder lock with KWC standard key, inspection window on front, loading capacity 300 - 400 pcs. of paper depending on convolution, includes stainless steel screws and dowels.

Dimensions 300 x 305 x 134 mm (W x H x D)

STRX600

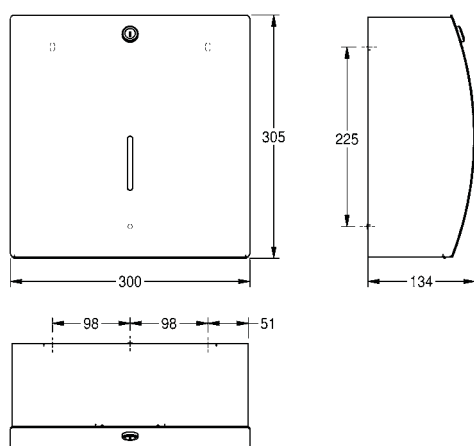
2000057205

Consumables

Folded paper towels, 225 items per pack, 20 packs per case.

FH70P

2030072378



KWC STRATOS paper towel dispensers

Type	Article Number
------	----------------



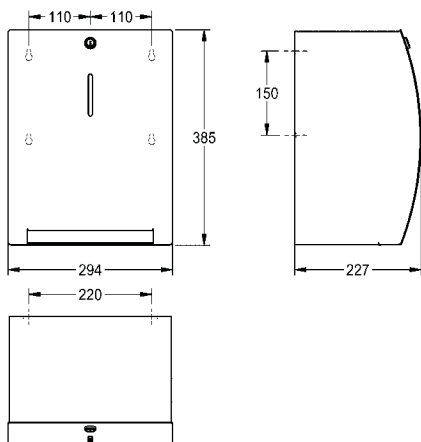
INOX PLUS

STRATOS paper towel dispenser for wall mounting

Manual paper towel dispenser for wall mounting, stainless steel, surface satin finished, front with InoxPlus surface refinement for the reduction of finger marks and better cleaning characteristics (easy to clean), material thickness 1.5 mm, curved front with inspection window, cylinder lock with KWC standard key, capacity 1 paper roll, paper comes automatically out to pull with hand, maintenance free mechanic, electrical connection or batteries are not required, easypaper roll change mechanism, for rolls with max. width 205 mm and max. diameter 200 mm, paper length is not adjustable - one length 260 mm, includes stainless steel screws and dowels.

Dimensions 294 x 385 x 227 mm (W x H x D)

STRX637 2000110533



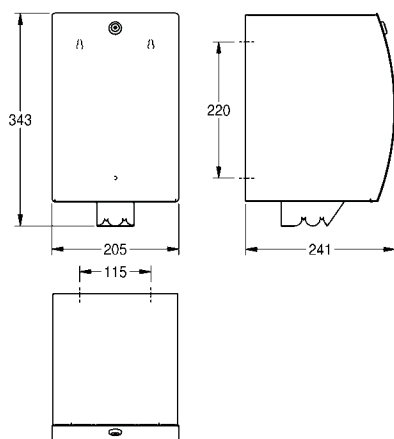
INOX PLUS

STRATOS paper towel dispenser for wall mounting

Centerfeed paper roll box for wall mounting, stainless steel, surface satin finished, front with InoxPlus surface refinement for the reduction of finger marks and better cleaning characteristics (easy to clean), material thickness 1.5 mm, curved front cover, cylinder lock with KWC standard key, for paper rolls with max. diameter 190 mm and max. height of 250 mm, only for centerfeed paper rolls, integrated w/ stainless steel tear-off edge and strain relief avoiding paper tear-off within casing, includes stainless steel screws and dowels.

Dimensions 205 x 343 x 241 mm (W x H x D)

STRX635B 2030025051



KWC STRATOS paper towel dispensers

Type	Article Number
------	----------------



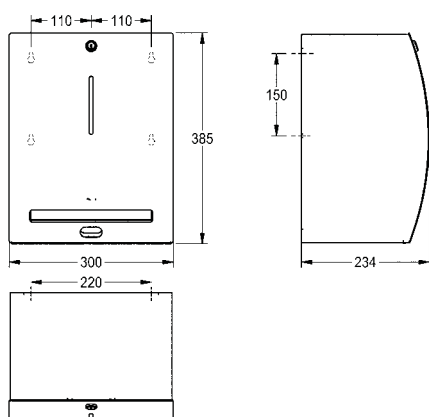
INOX PLUS

STRATOS electronic paper towel dispenser for wall mounting

Touch free paper towel dispenser for wall mounting, stainless steel, surface satin finished, front with InoxPlus surface refinement for the reduction of finger marks and better cleaning characteristics (easy to clean), material thickness 1.5 mm, curved front cover, cylinder lock with KWC standard key, infrared sensor activity for non-touch operation, integrated tear-off edge, incl. 4 pcs. standard D 1.5 V batteries, maintenance free mechanic and easy paper roll change mechanism, for rolls with max. width 205 mm and max. diameter 200 mm, paper length adjustable to 200, 250 and 300 mm, includes stainless steel screws and dowels.

Dimensions 300 x 385 x 234 mm (W x H x D)

STRX630	2000057390
----------------	------------



INOX PLUS

STRATOS paper towel/soap dispenser combination for wall mounting

Paper towel-, soap dispenser combination for wall mounting, stainless steel, surface satin finished, front with InoxPlus surface refinement for the reduction of finger marks and better cleaning characteristics (easy to clean), material thickness 1.5 mm, curved front cover, cylinder lock with KWC standard key, inspection windows on front, paper towel dispenser with loading capacity 300 - 400 pcs. of paper depending on convolution, suitable for liquid soaps and lotions, 0.8 liter soap tank, push lever, includes stainless steel screws and dowels.

Dimensions 396 x 304 x 134 mm (W x H x D)

STRX601	2000057209
----------------	------------

Optional accessories

Hose with outlet valve for disinfectant

EACCS057	2000103334
-----------------	------------

Consumables

Liquid soap, 1 litre, 6 bottles per pack

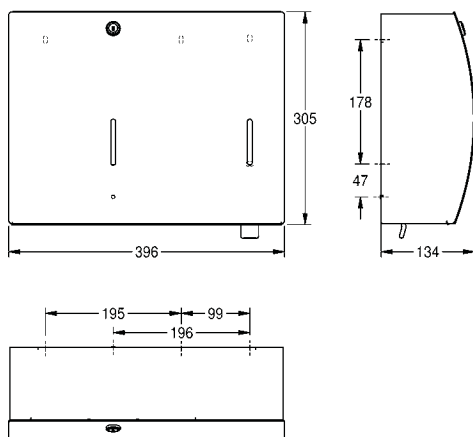
SO1LP	2030058103
--------------	------------

Liquid soap, in 10 litre canister

SO10L	2000057168
--------------	------------

Folded paper towels, 225 items per pack, 20 packs per case.

FH70P	2030072378
--------------	------------



KWC STRATOS waste bins

Type Article Number



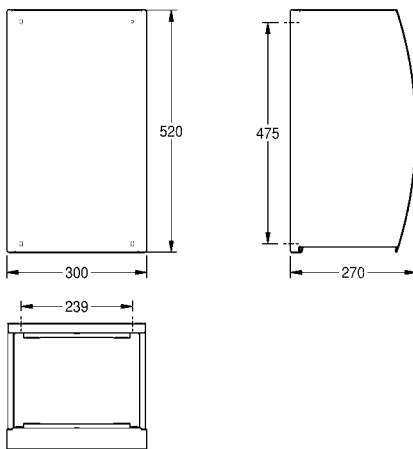
INOX PLUS

STRATOS waste bin for wall mounting

Waste bin for wall mounting, stainless steel, surface satin finished, front with InoxPlus surface refinement for the reduction of finger marks and better cleaning characteristics (easy to clean), material thickness 1.5 mm, curved front cover, cylinder lock with KWC standard key, approx. 34 liter capacity, integrated bag holder, includes stainless steel screws and dowels.

Dimensions 300 x 520 x 270 mm (W x H x D)

STRX605 2000057228



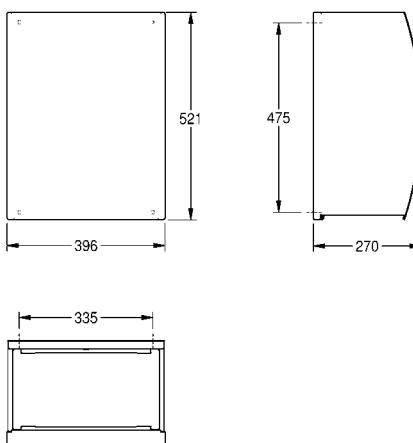
INOX PLUS

STRATOS waste bin for wall mounting

Waste bin for wall mounting, stainless steel, surface satin finished, front with InoxPlus surface refinement for the reduction of finger marks and better cleaning characteristics (easy to clean), material thickness 1.5 mm, curved front cover, cylinder lock with KWC standard key, approx. 45 liter capacity, integrated bag holder, includes stainless steel screws and dowels.

Dimensions 396 x 521 x 270 mm (W x H x D)

STRX607 2000057230



Type	Article Number
------	----------------



INOX PLUS

STRATOS folding self-closing lid for waste bin

Folding self-closing lid for waste bin STRX607, stainless steel, surface satin finished, front with InoxPlus surface refinement for the reduction of finger marks and better cleaning characteristics (easy to clean), material thickness 1.5 mm, inclined front with selfclosing lid, cylinder lock with KWC standard key, includes stainless steel screws and dowels, without waste bin.

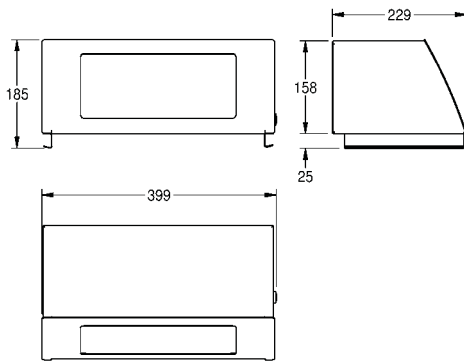
Dimensions 396 x 183 x 229 mm (W x H x D)

STRX608	2000057231
----------------	------------

Mandatory accessories

Waste bin for wall mounting Dimensions 396 x 521 x 270 mm (W x H x D)

STRX607	2000057230
----------------	------------



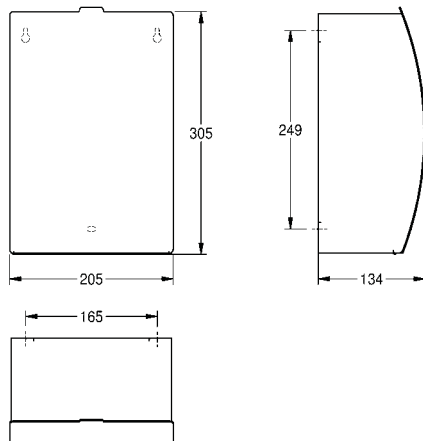
INOX PLUS

STRATOS hygiene waste bin for wall mounting

Sanitary towel and disposal bin for wall mounting, stainless steel, surface satin finished, front with InoxPlus surface refinement for the reduction of finger marks and better cleaning characteristics (easy to clean), material thickness 1.5 mm, curved front cover, approx. 3.8 liter capacity, folding selfclosing lid with piano hinge, removable plastic container inside, includes stainless steel screws and dowels.

Dimensions 205 x 305 x 134 mm (W x H x D)

STRX611	2000057375
----------------	------------



KWC STRATOS waste bin, combination

Type	Article Number
------	----------------



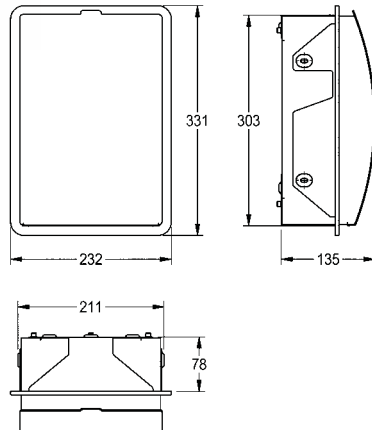
INOX PLUS

STRATOS hygiene waste bin for recessed mounting

Sanitary towel and disposal bin for recessed mounting, stainless steel, surface satin finished, front with InoxPlus surface refinement for the reduction of finger marks and better cleaning characteristics (easy to clean), material thickness 1.5 mm, curved front cover, approx. 3.8 liter capacity, folding selfclosing lid with piano hinged, removable plastic container inside, includes stainless steel screws and dowels.

Dimensions 232 x 331 x 141 mm (W x H x D)

STRX611E 2000057376



INOX PLUS

STRATOS paper towel/waste bin combination for recessed mounting

Paper towel dispenser, waste bin combination for recessed mounting, stainless steel, surface satin finished, front with InoxPlus surface refinement for the reduction of finger marks and better cleaning characteristics (easy to clean), material thickness 1.5 mm, curved front cover, cylinder lock with KWC standard key, inspection windows on front, loading capacity 300 - 400 pcs. of paper depending on convolution, waste bin with approx. 22 liter capacity, integrated bag holder, includes stainless steel screws and dowels.

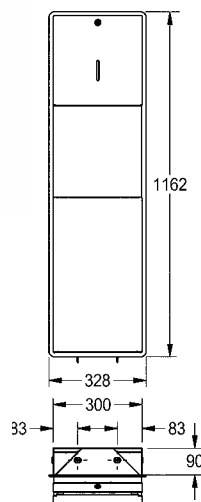
Dimensions 328 x 1162 x 203 mm (W x H x D)

STRX602E 2000057227

Consumables

Folded paper towels, 225 items per pack, 20 packs per case.

FH70P 2030072378



KWC STRATOS toilet roll holders

Type	Article Number
------	----------------

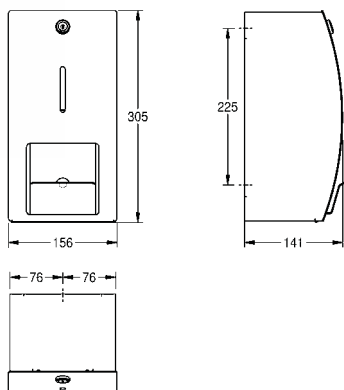
**INOX PLUS****STRATOS toilet roll holder for wall mounting**

Double toilet roll holder for wall mounting, stainless steel, surface satin finished, front with InoxPlus surface refinement for the reduction of finger marks and better cleaning characteristics (easy to clean), material thickness 1.5 mm, curved front cover, cylinder lock with KWC standard key, for 2 rolls with max. diameter 120 mm, second roll will be released after consumption of first roll, without spindles, includes stainless steel screws and dowels.

Dimensions 156 x 305 x 141 mm (W x H x D)

STRX671

2000057395

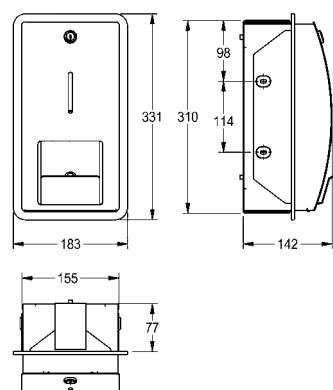
**INOX PLUS****STRATOS toilet roll holder for recessed mounting**

Double toilet roll holder for recessed mounting, stainless steel, surface satin finished, front with InoxPlus surface refinement (easy to clean), material thickness 1.5 mm, curved front cover with inspection window, cylinder lock with KWC standard key, for 2 rolls with max. diameter 120 mm, second roll will be released after consumption of first roll, without spindles, includes stainless steel screws and dowels.

Dimensions 183 x 331 x 142 mm (W x H x D)

STRX671E

2000057396

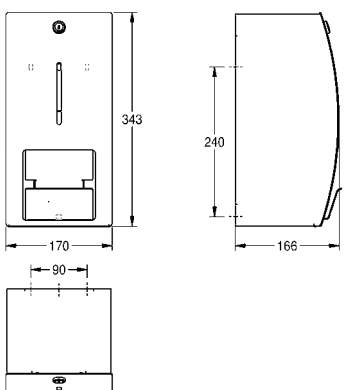
**INOX PLUS****STRATOS toilet roll holder for wall mounting**

Double toilet roll holder without spindle system for wall mounting, stainless steel, surface satin finished, front with InoxPlus surface refinement for the reduction of finger marks and better cleaning characteristics (easy to clean), material thickness 1.5 mm, curved front cover, cylinder lock with KWC standard key, for 2 rolls with max. diameter 140 mm, second roll will be released after consumption of first roll, includes stainless steel screws and dowels.

Dimensions 170 x 343 x 166 mm (W x H x D)

STRX671L

2000057397



KWC STRATOS toilet roll holders

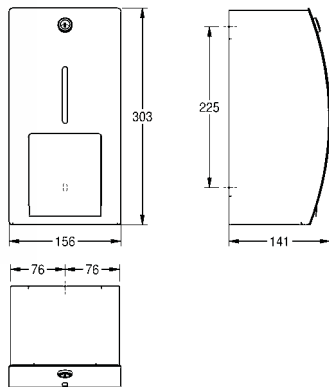
Type	Article Number
------	----------------



INOX PLUS

STRATOS toilet roll holder for wall mounting

Double toilet roll holder with spindle system for wall mounting, stainless steel, surface satin finished, front with InoxPlus surface refinement for the reduction of finger marks and better cleaning characteristics (easy to clean), material thickness 1.5 mm, curved front cover, cylinder lock with KWC standard key, for 2 rolls with max. diameter 120 mm, second roll will be released after consumption of first roll, with spindles, reserve roll not visible, includes stainless steel screws and dowels.



Dimensions 156 x 303 x 141 mm (W x H x D)

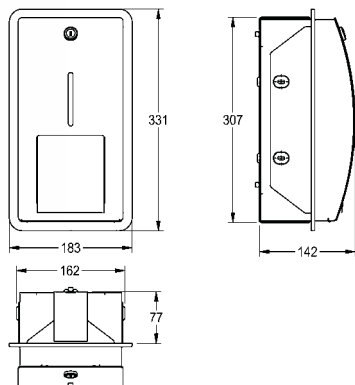
STRX672	2000057399
----------------	------------



INOX PLUS

STRATOS toilet roll holder for recessed mounting

Double toilet roll holder with spindle system for recessed mounting, stainless steel, surface satin finished, front with InoxPlus surface refinement for the reduction of finger marks and better cleaning characteristics (easy to clean), material thickness 1.5 mm, curved front cover with inspection window, cylinder lock with KWC standard key, for 2 rolls with max. diameter 120 mm, second roll will be released after consumption of first roll, reserve roll not visible, includes stainless steel screws and dowels.



Dimensions 183 x 331 x 142 mm (W x H x D)

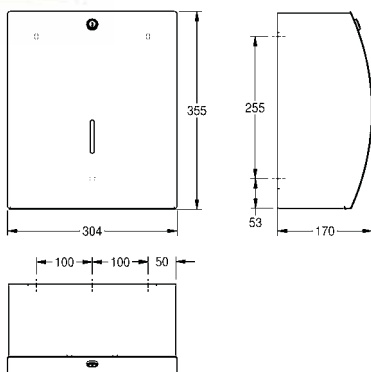
STRX672E	2000057400
-----------------	------------



INOX PLUS

STRATOS Jumbo roll holder for wall mounting

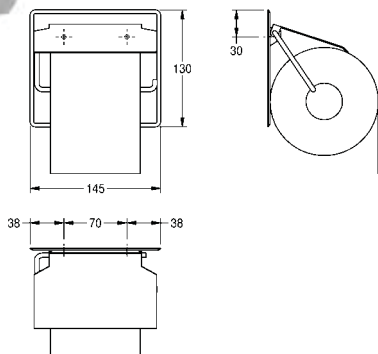
Jumbo roll holder for wall mounting, stainless steel, surface satin finished, front with InoxPlus surface refinement for the reduction of finger marks and better cleaning characteristics (easy to clean), material thickness 1.5 mm, closed casing with curved front, paper withdrawal over two tear-off edges, cylinder lock with KWC standard key, for 1 roll with max. diameter 295 mm, includes stainless steel screws and dowels.



Dimensions 304 x 355 x 170 mm (W x H x D)

STRX670	2000057394
----------------	------------

KWC STRATOS toilet roll holders



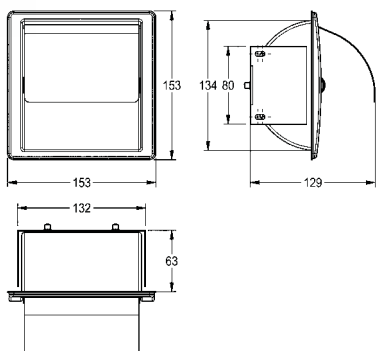
Type	Article Number
------	----------------

Toilet roll holder for wall mounting

Toilet roll holder for wall mounting, stainless steel, surface satin finished, material thickness 0.8 mm, folding cover, for 1 roll with max. diameter 130 mm, includes stainless steel screws and dowels.

Dimensions 145 x 130 x 25 mm (W x H x D)

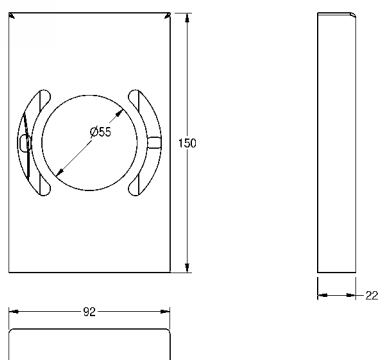
BS677	2000057045
--------------	------------

**STRATOS toilet roll holder for recessed mounting**

STRATOS toilet roll holder for recessed mounting, stainless steel, surface satin finished, material thickness 0.8 mm, curved hinged cover, for one roll with maximum width 130 mm, including mounting material.

Dimensions 153 x 153 x 129 mm (W x H x D)

STRX673E	2000057422
-----------------	------------

**INOX PLUS****Hygiene bag dispenser**

Hygiene bag dispenser for wall mounting, stainless steel, surface satin finished with InoxPlus surface refinement for the reduction of finger marks and better cleaning characteristic (easy to clean), material thickness 1.2 mm, edges not welded, inboard lug to hold package, withdrawal from front, incl. premounted double side self-adhesive tap and stainless steel screws and dowels, includes acetone rag to clean bonding surface.

Dimensions 95 x 150 x 24 mm (W x H x D)

HBD191	2000057080
---------------	------------

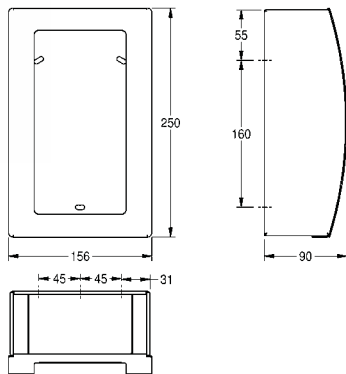
Consumables

Hygiene bag, 30 items per box, 50 boxes per case

HBD191BP	2030058764
-----------------	------------

KWC STRATOS dispensers, toilet brush holder

Type	Article Number
------	----------------



INOX PLUS

STRATOS hygiene bag dispenser

Hygiene bag dispenser for wall mounting, stainless steel, surface satin finished, with InoxPlus surface refinement for the reduction of finger marks and better cleaning characteristics (easy to clean), material thickness 1.2 / 1.5 mm, with inspection window, includes stainless steel screws and dowels.

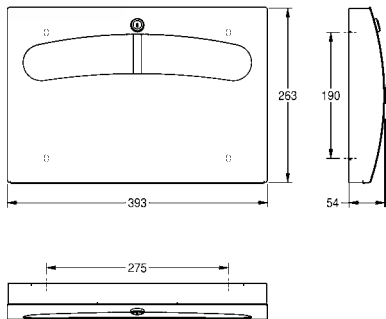
Dimensions 156 x 250 x 90 mm (W x H x D)

STRX615 2000100014

Consumables

Hygiene bag made of paper, 100 items per pack, 10 packs per case

HB140P 2030058765



INOX PLUS

STRATOS toilet seat paper dispenser

Toilet seat paper dispenser for wall mounting, stainless steel, surface satin finished, front with InoxPlus surface refinement for the reduction of finger marks and better cleaning characteristics (easy to clean), material thickness 1.5 mm, curved front cover with oval aperture, cylinder lock with KWC standard key, for KWC seat paper or others, includes stainless steel screws and dowels.

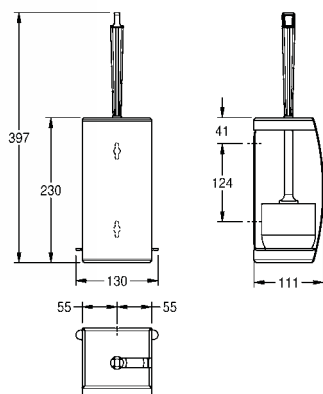
Dimensions 393 x 263 x 54 mm (W x H x D)

STRX680 2000057401

Consumables

Toilet seat paper (box of 250 sheets)

E-STRX680 2000100018



INOX PLUS

STRATOS toilet brush holder

Toilet brush holder for wall mounting, stainless steel, surface satin finished, front with InoxPlus surface refinement for the reduction of finger marks and better cleaning characteristics (easy to clean), material thickness 1.5 mm, curved front cover, white nylon brush with flushing rim cleaner, withdrawal opening either left or right, depending on mounting, removable plastic drop tray, includes stainless steel screws and dowels.

Dimensions 110 x 230 x 110 mm (W x H x D)

STRX687 2000057403

Optional accessories

Toilet brush for toilet brush set RODX687, STRX687, black nylon, stainless steel handle

E-STRX687 2000100020

KWC STRATOS clothes hooks, shelf

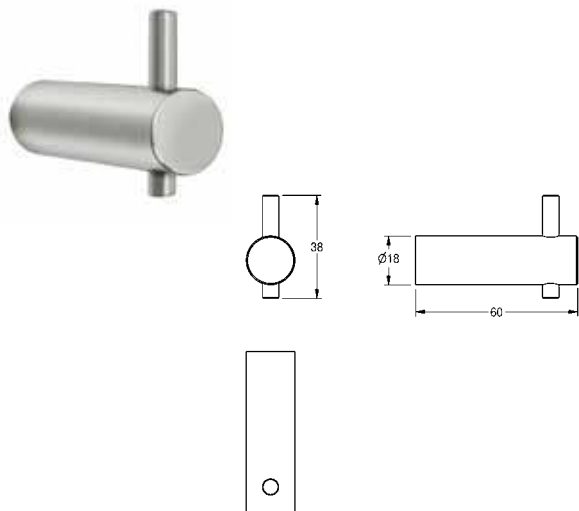
Type	Article Number
------	----------------

STRATOS clothes hook

Hook for wall mounting, stainless steel, surface satin finished, 18 mm pipe diameter, drilled hole on bottom for fixation, includes stainless steel screws and dowels.

Dimensions 18 x 38 x 60 mm (W x H x D)

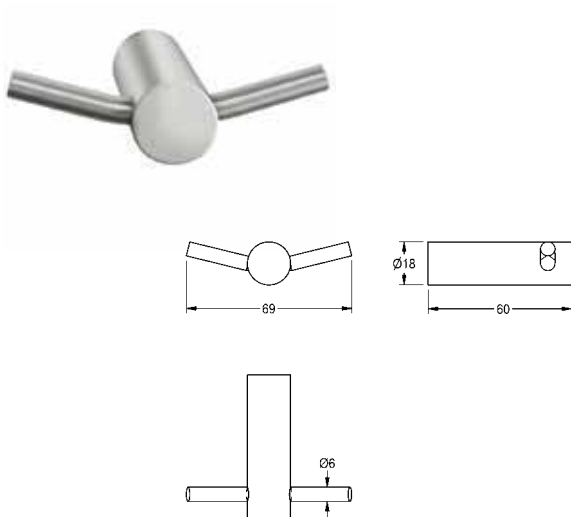
STRX692	2000057979
----------------	------------

**STRATOS clothes hook**

Double hook for wall mounting, stainless steel, surface satin finished, 18 mm pipe diameter, drilled hole on bottom for fixation, includes stainless steel screws and dowels.

Dimensions 69 x 18 x 60 mm (W x H x D)

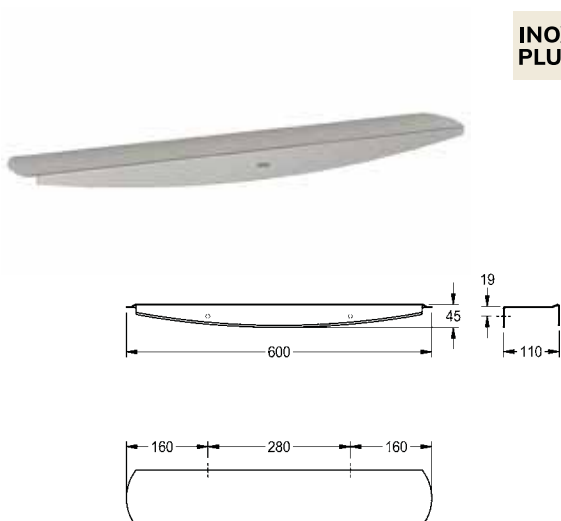
STRX694	2000057985
----------------	------------

**INOX PLUS****STRATOS shelf**

Shelf for wall mounting, stainless steel, surface satin finished, front with InoxPlus surface refinement for the reduction of finger marks and better cleaning characteristics (easy to clean), material thickness 2 mm, rounded edges, protection edge at front, includes stainless steel screws and dowels.

Dimensions 600 x 45 x 110 mm (W x H x D)

STRX624	2000102701
----------------	------------





RODAN Accessories

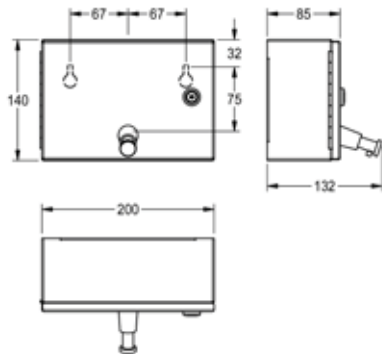
The timeless design of RODAN stainless steel accessories with their angular side profiles lends itself to the unobtrusive decor of heavily frequented washrooms.

With these accessories, architects and users can create economically efficient, flexible designs for sanitary facilities using either wall or recessed mounting options.

Accessories for wall mounting and recessed mounting

RODAN soap dispensers	280
RODAN disinfectant dispensers	282
RODAN hand dryer	283
RODAN paper towel dispensers	283
RODAN waste bins, disposal flap, chute	285
RODAN combinations	290
RODAN toilet roll holders	292
RODAN dispenser, toilet brush holder	293

KWC RODAN soap dispensers



Type	Article Number
------	----------------

RODAN soap dispenser for wall mounting

RODAN Soap dispenser for wall mounting, stainless steel, surface satin finished, material thickness 0.8 mm, folded front cover, cylinder lock with KWC standard key, suitable for liquid soaps and lotions, 1 liter soap tank, push button on front, includes stainless steel screws and dowels.

Dimensions 200 x 140 x 132 mm (W x H x D)

RODX619N 3600009360

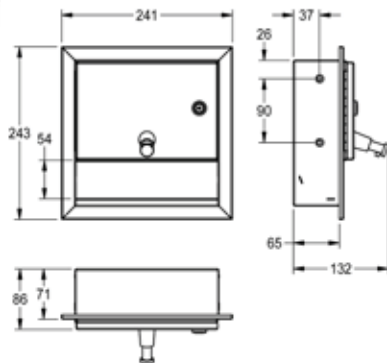
Consumables

Liquid soap, 1 litre, 6 bottles per pack

SO1LP 2030058103

Liquid soap, in 10 litre canister

SO10L 2000057168



RODAN soap dispenser for recessed mounting

RODAN Soap dispenser for recessed mounting, stainless steel, surface satin finished, material thickness 0.8 mm, folded front cover, cylinder lock with KWC standard key, suitable for liquid soaps and lotions, 1 liter soap tank, push button on front, includes stainless steel screws and dowels.

Dimensions 241 x 243 x 132 mm (W x H x D)

RODX619EN 3600009362

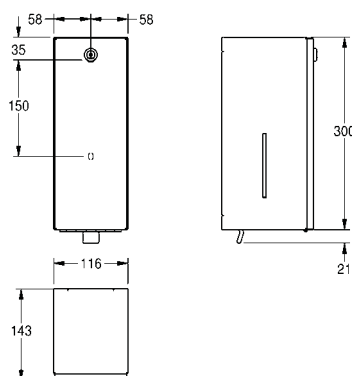
Consumables

Liquid soap, 1 litre, 6 bottles per pack

SO1LP 2030058103

Liquid soap, in 10 litre canister

SO10L 2000057168



RODAN soap dispenser for wall mounting

Soap dispenser for wall mounting, stainless steel, surface satin finished, material thickness 0.8 mm, folded front cover, cylinder lock with KWC standard key, suitable for liquid soaps and lotions, 0.8 liter soap tank, lever to pull, includes stainless steel screws and dowels.

Dimensions 116 x 321 x 143 mm (W x H x D)

RODX618 2000090067

Consumables

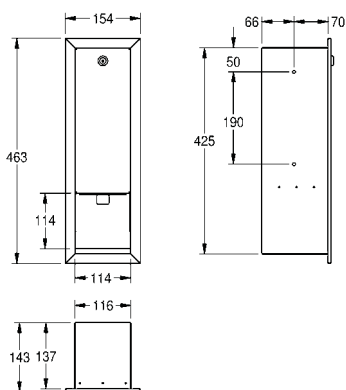
Liquid soap, 1 litre, 6 bottles per pack

SO1LP 2030058103

Liquid soap, in 10 litre canister

SO10L 2000057168

KWC RODAN soap dispensers



Type	Article Number
------	----------------

RODAN soap dispenser for recessed mounting

Soap dispenser for recessed mounting, stainless steel, surface satin finished, material thickness 0.8 mm, folded front cover, cylinder lock with KWC standard key, suitable for liquid soaps and lotions, 0.8 liter soap tank, lever to pull, includes stainless steel screws and dowels.

Dimensions 154 x 463 x 143 mm (W x H x D)

RODX618E	2000090066
-----------------	------------

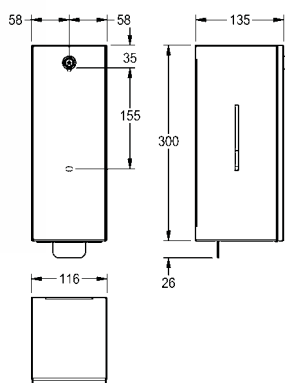
Consumables

Liquid soap, 1 litre, 6 bottles per pack

SO1LP	2030058103
--------------	------------

Liquid soap, in 10 litre canister

SO10L	2000057168
--------------	------------



RODAN foam soap dispenser for wall mounting

Foam soap dispenser for wall mounting, stainless steel, surface satin finished, material thickness 0.8 mm, cylinder lock with KWC standard key, inspection windows on sides, suitable for KWC foam soap (not included in scope of delivery), stainless steel pull lever, includes stainless steel screws and dowels.

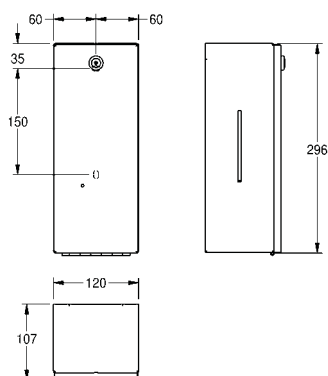
Dimensions 116 x 326 x 135 mm (W x H x D)

RODX616	2000101222
----------------	------------

Consumables

Foam soap cartridge, 650 ml, 9 cartridges per pack

EXINX616FP	2030058766
-------------------	------------



RODAN electronic soap dispenser for wall mounting

RODAN Touch free soap dispenser for wall mounting, stainless steel, surface satin finished, material thickness 0.8 mm, folded front cover, cylinder lock with KWC standard key, infrared sensor activity for non-touch operation, LED-display shows battery status, needs 4 pcs. 1.5 V Alkaline AA batteries, suitable for liquid soaps and lotions, 800 ml soap tank, depending on soap between 0.6 and 1.1 ml is dispensed, mounting height should be at least 300 mm above wash basin or table top, includes stainless steel screws and dowels.

Dimensions 120 x 296 x 107 mm (W x H x D)

RODX625	2000090070
----------------	------------

Optional accessories

Hose with outlet valve for disinfectant

EACCS055	2000103333
-----------------	------------

Stand Premium, for KWC touch-free disinfectant/soap dispensers

GLX2020	2030062801
----------------	------------

Consumables

Liquid soap, 1 litre, 6 bottles per pack

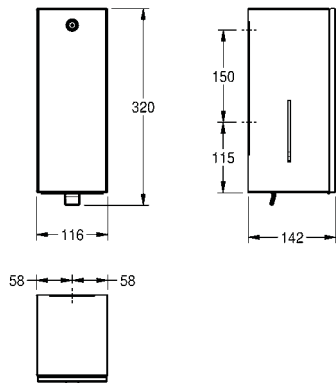
SO1LP	2030058103
--------------	------------

Liquid soap, in 10 litre canister

SO10L	2000057168
--------------	------------

KWC RODAN disinfectant dispensers

Type	Article Number
------	----------------

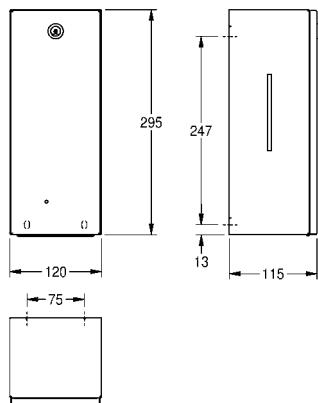


RODAN disinfectant dispenser for wall mounting

RODAN, disinfectant dispenser, for wall mounting, stainless steel with satin finish, material thickness 0,8 mm, folded front cover, cylinder lock with KWC standard key, inspection window on the side, front cover with application note, suitable for disinfectant and lotions, includes 800 ml refill tank, with plastic pull lever, includes mounting materials.

Dimensions 116 x 321 x 143 mm (W x H x D)

RODX629	2030062579
----------------	------------



RODAN electronic disinfectant dispenser for wall mounting

RODAN, disinfectant dispenser, touch-free, for wall mounting, stainless steel with satin finish, material thickness 0,8 mm, folded front cover, cylinder lock with KWC standard key, inspection window on side, front cover with operating instructions, infrared sensor activity for non-touch operation, red light shows battery status, requires 6 pieces 1,5 V Alkaline AA batteries, suitable for disinfectant and lotions, includes 800 ml refill tank, depending on disinfectant between 0,6 and 1,1 ml is dispensed, mounting height at least 300 mm above wash basin or table top, includes mounting materials.

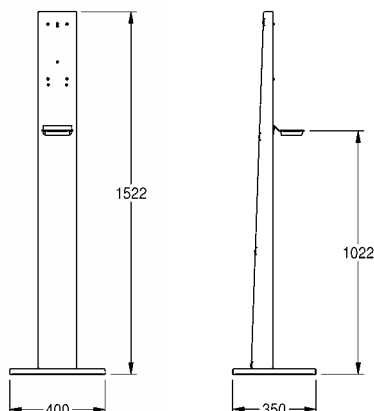
Dimensions 120 x 295 x 115 mm (W x H x D)

RODX627H	2030062868
-----------------	------------

Optional accessories

Stand Premium, for KWC touch-free disinfectant/soap dispensers

GLX2020	2030062801
----------------	------------



Premium Stand

Premium Stand, free-standing, stainless steel with satin finish, material thickness 1.5 mm, comes with black plastic drip tray, provision threaded holes and fixing screws, compatible to mount KWC touch-free disinfectant/soap dispensers, mounting material included.

Dimensions 400 x 1522 x 350 mm (W x H x D)

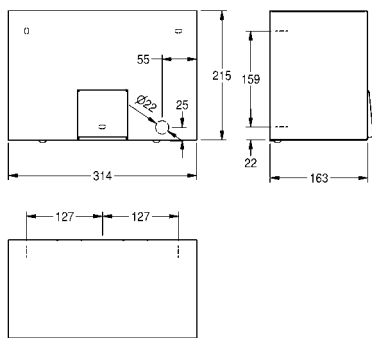
Dimensions base plate 400 x 22 x 350 mm (W x H x D)

Dispensers not in scope of delivery.

GLX2020	2030062801
----------------	------------

KWC RODAN hand dryer, paper towel dispensers

Type	Article Number
------	----------------



RODAN electronic hand dryer

Touch free electronic warm air hand dryer for wall mounting, stainless steel, surface satin finished, material thickness 1.2 mm, infrared sensor activity for non-touch operation, sensor range adjustable from 10 to 30 cm, cable and plug not included.

Connection voltage 230 V, 50 Hz

Total power 2200 W

Heater 2100 W

Motor 100 W

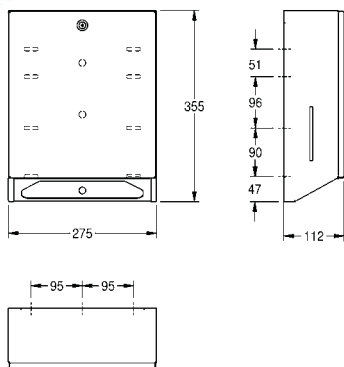
Motor min 2850 U/min

Air volume 274 m³/h

Air velocity 15.5 m/s

Dimensions 314 x 215 x 163 mm (W x H x D)

RODX310	2000090055
----------------	------------



RODAN paper towel dispenser for wall mounting

Paper towel dispenser for wall mounting, stainless steel, surface satin finished, material thickness 0.8 mm, folded front cover, cylinder lock with KWC standard key, inspection windows on sides, loading capacity 300 - 400 pcs. of paper depending on convolution, includes stainless steel screws and dowels.

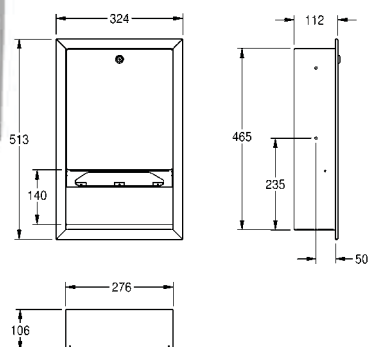
Dimensions 275 x 355 x 112 mm (W x H x D)

RODX600	2000090056
----------------	------------

Consumables

Folded paper towels, 225 items per pack, 20 packs per case.

FH70P	2030072378
--------------	------------



RODAN paper towel dispenser for recessed mounting

Paper towel dispenser for recessed mounting, stainless steel, surface satin finished, material thickness 0.8 mm, folded front cover, cylinder lock with KWC standard key, loading capacity 300 - 400 pcs. of paper depending on convolution, includes stainless steel screws and dowels.

Dimensions 324 x 513 x 112 mm (W x H x D)

RODX600E	2000090057
-----------------	------------

Consumables

Folded paper towels, 225 items per pack, 20 packs per case.

FH70P	2030072378
--------------	------------

KWC RODAN paper towel dispensers

Type	Article Number
------	----------------

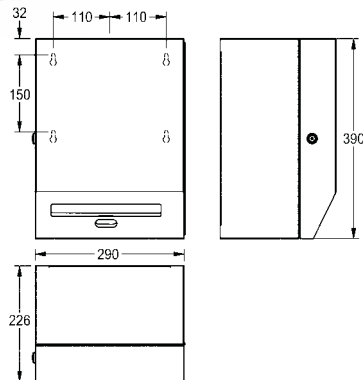


RODAN electronic paper towel dispenser for wall mounting

Touch free paper towel dispenser for wall mounting, stainless steel, surface satin finished, material thickness 0.8 mm, folded cover with cylinder lock and standard KWC key, infrared sensor activity for non-touch operation, integrated tear-off edge, needs 4 pcs. standard D 1.5 V batteries, maintenance free mechanic and easy paper roll change mechanism, for rolls with max. width 205 mm and max. diameter 200 mm, paper length adjustable to 200, 250 and 300 mm, includes stainless steel screws and dowels.

Dimensions 290 x 390 x 224 mm (W x H x D)

RODX630	2000090071
----------------	------------



RODAN paper towel dispenser

Paper towel dispenser for hidden mounting behind wall and mirror, stainless steel, surface satin finished, material thickness 0.8 mm, for 600 - 800 paper towels, depending on convolution, filling from bottom, includes stainless steel screws and dowels.

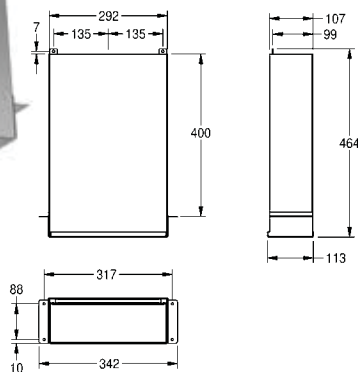
Dimensions 342 x 464 x 113 mm (W x H x D)

RODX600ME	2000090058
------------------	------------

Consumables

Folded paper towels, 225 items per pack, 20 packs per case.

FH70P	2030072378
--------------	------------



RODAN paper towel dispenser

Paper towel dispenser for installation from the front or from the top, stainless steel, surfaces satin finished, material strength 1 mm, capacity for 600 pieces of C-folded single-layer paper towels. Can be filled from the top.

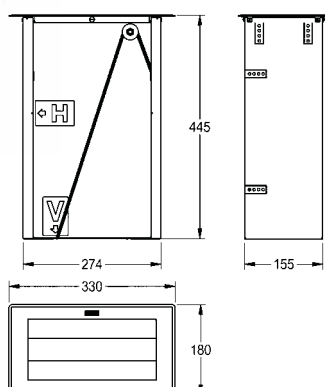
Dimensions 330 x 445 x 180 mm (W x H x D)

RODX600TT	2000102672
------------------	------------

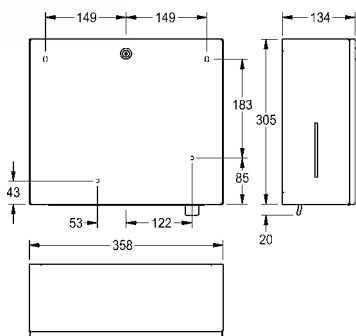
Consumables

Folded paper towels, 225 items per pack, 20 packs per case.

FH70P	2030072378
--------------	------------



KWC RODAN paper towel dispensers, waste bins



Type	Article Number
------	----------------

RODAN paper towel/soap dispenser combination for wall mounting

Paper towel, soap dispenser combination for wall mounting, stainless steel, surface satin finished, material thickness 0.8 mm, cylinder lock with KWC standard key, inspection windows on sides, paper towel dispenser with loading capacity 300 - 400 pcs. of paper depending on convolution, suitable for liquid soaps and lotions, 0.8 liter soap tank, pull lever, includes stainless steel screws and dowels.

Dimensions 358 x 325 x 134 mm (W x H x D)

RODX601	2000101221
----------------	------------

Consumables

Liquid soap, 1 litre, 6 bottles per pack

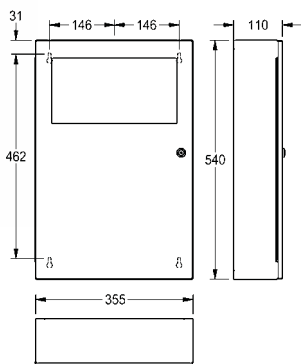
SO1LP	2030058103
--------------	------------

Liquid soap, in 10 litre canister

SO10L	2000057168
--------------	------------

Folded paper towels, 225 items per pack, 20 packs per case.

FH70P	2030072378
--------------	------------



RODAN waste bin for wall mounting

Waste bin for wall mounting, stainless steel, surface satin finished, material thickness 0.8 mm, folding self closing lid, with integrated bag holder, cylinder lock with KWC standard key, includes stainless steel screws and dowels.

Capacity approx. 13 liters

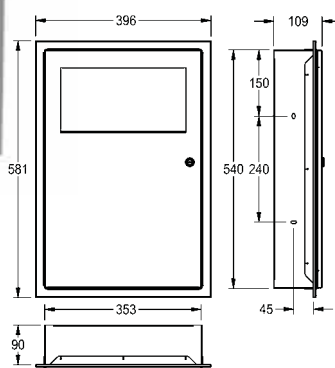
Dimensions 355 x 540 x 110 mm (W x H x D)

RODX604	2000101345
----------------	------------

Capacity approx. 45 litres,

dimensions 495 x 710 x 153 mm (W x H x D)

RODX606	2000101346
----------------	------------



RODAN waste bin for recessed mounting

Waste bin for recessed mounting, stainless steel, surface satin finished, material thickness 0.8 mm, folding self closing lid, with integrated bag holder, cylinder lock with KWC standard key, includes stainless steel screws and dowels.

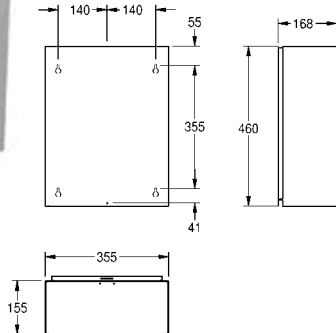
Capacity approx. 13 liters

Dimensions 396 x 581 x 109 mm (W x H x D)

RODX604E	2000101347
-----------------	------------

KWC RODAN paper towel dispensers, waste bins

Type	Article Number
------	----------------



RODAN waste bin for wall mounting

Waste bin for wall mounting, stainless steel, surface satin finished, material thickness 0.8 mm, rounded edges, mounting either with mounting bracket or directly onto the wall, includes stainless steel screws and dowels.

Capacity approx. 23 liter

Dimensions 355 x 460 x 168 mm (W x H x D)

RODX605 2000090061

Capacity approx. 18 litres

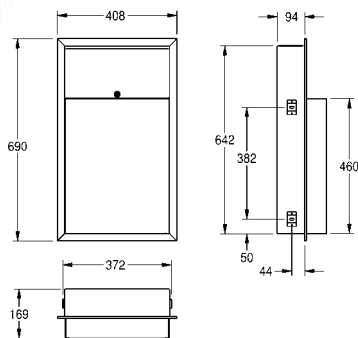
Dimensions 275 x 460 x 177 mm (W x H x D)

RODX605S 2000101236

Optional accessories

Bag holder for RODX605 and RODX605E waste bin, for screw mounting

E-RODX605N 2030022424



RODAN waste bin for recessed mounting

Waste bin for recessed mounting, stainless steel, surface satin finished, material thickness 0.8 mm, rounded edges, cylinder lock with KWC standard key, mounting with in-wall frame, includes stainless steel screws and dowels.

Capacity approx. 23 liter

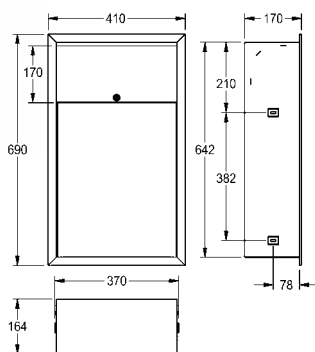
Dimensions 408 x 690 x 169 mm (W x H x D)

RODX605E 2000090062

Optional accessories

Bag holder for RODX605 and RODX605E waste bin, for screw mounting

E-RODX605N 2030022424



RODAN waste bin for recessed mounting

Waste bin for recessed mounting, stainless steel, surface satin finished, material thickness 0.8 mm, rounded edges, cylinder lock with KWC standard key, mounting with in-wall frame, includes stainless steel screws and dowels.

Approx. 23 liter capacity, full recessed version

Dimensions 410 x 690 x 171 mm (W x H x D)

RODX605EE 2000101344

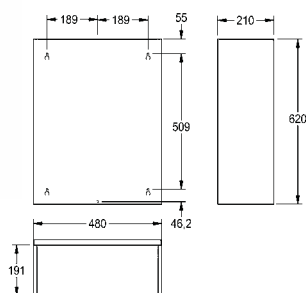
Optional accessories

Bag holder for RODX605 and RODX605E waste bin, for screw mounting

E-RODX605N 2030022424

KWC RODAN waste bins, disposal flap, chute

Type	Article Number
------	----------------



RODAN waste bin for wall mounting

Waste bin for wall mounting, stainless steel, surface satin finished, material thickness 0.8 mm, rounded edges, mounting either with mounting bracket or directly onto the wall, includes stainless steel screws and dowels.

Capacity approx. 60 liter
 Dimensions 480 x 620 x 210 mm (W x H x D)

RODX607	2000101351
----------------	------------

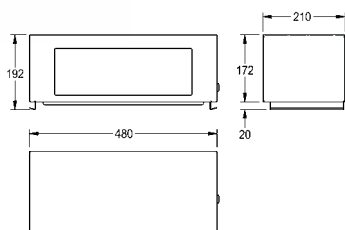
Optional accessories

Bag holder for waste bin RODX607, for screw mounting

E-RODX607	2000101350
------------------	------------

Folding self-closing lid for RODX607

RODX608	2000101357
----------------	------------

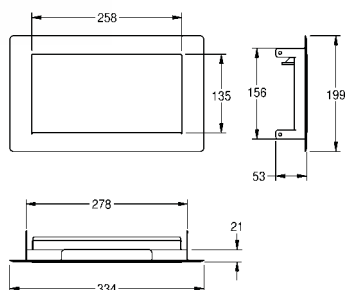


RODAN folding self-closing lid for waste bin

Folding self-closing lid for waste bin RODX607, stainless steel, surface satin finished, material thickness 0.8 mm, cylinder lock with KWC standard key, without waste bin.

Dimensions 480 x 186 x 210 mm (W x H x D)

RODX608	2000101357
----------------	------------

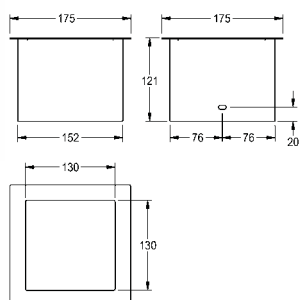


RODAN waste disposal flap

RODAN Waste disposal flap for table top installation, horizontal installation from above only, stainless steel, visible surfaces satin finished, material thickness 0.8 mm, springless self-closing disposal flap, without waste container.

Dimensions 334 x 53 x 199 mm (W x H x D)

RODX605TTH	2030064649
-------------------	------------



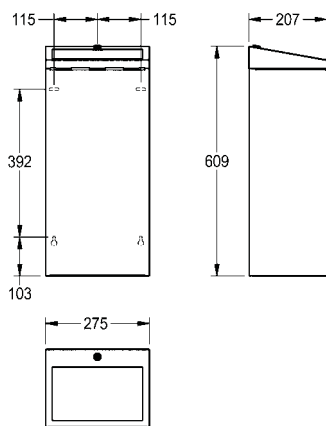
RODAN waste disposal chute

Waste chute for table top installation, stainless steel, visible surfaces satin finished, material thickness 0.8 mm, without waste container.

Dimensions 175 x 121 x 175 mm (W x H x D)

RODX607TT	2000101212
------------------	------------

KWC RODAN waste bins



Type

Article Number

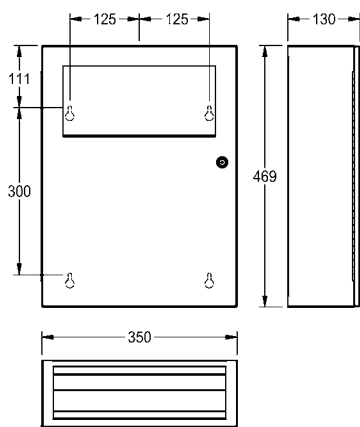
RODAN waste bin for wall mounting

Waste bin for wall mounting or floor standing, made of stainless steel, surface satin finished, material thickness 0.8 mm, self closing lid, folding bag holder, cylinder lock with KWC standard key, approx. 30 liter capacity, includes stainless steel screws and dowels.

Dimensions 275 x 610 x 207 mm (W x H x D)

RODX605SL

2000103806



RODAN hygiene waste bin for wall mounting

Sanitary towel and disposal bin for wall mounting, stainless steel, surface satin finished, material thickness 0.8 mm, approx. 6 liter capacity, with integrated bag holder, self closing lid, with integrated storage for paper hygiene bags, can be combined with RODX191 hygiene bag dispenser for plastic bags, cylinder lock with KWC standard key, includes stainless steel screws and dowels.

Dimensions 350 x 469 x 130 mm (W x H x D)

RODX612

2000101358

Optional accessories

Surface-mounted hygiene bag dispenser
Dimensions 91 x 150 x 21 mm (W x H x D)

RODX191

2000101218

Consumables

Hygiene bag made of paper, 100 items per pack, 10 packs per case

HB140P

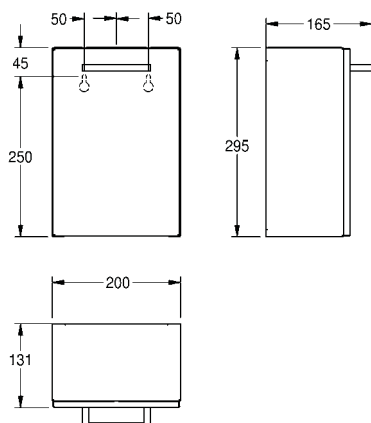
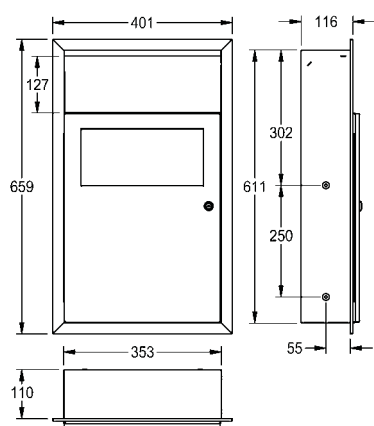
2030058765

Hygiene bag, 30 items per box, 50 boxes per case

HBD191BP

2030058764

KWC RODAN waste bins

**Type****Article Number****RODAN hygiene waste bin for recessed mounting**

Sanitary towel and disposal bin for recessed mounting, stainless steel, surface satin finished, material thickness 0.8 mm, approx. 6 liter capacity, with integrated bag holder, self closing lid, with integrated storage for paper hygiene bags, can be combined with RODX191 hygiene bag dispenser for plastic bags, cylinder lock with KWC standard key, includes stainless steel screws and dowels.

Dimensions 401 x 659 x 130 mm (W x H x D)

RODX612E 2000101359

Optional accessories

Surface-mounted hygiene bag dispenser
Dimensions 91 x 150 x 21 mm (W x H x D)

RODX191 2000101218

Consumables

Hygiene bag made of paper, 100 items per pack, 10 packs per case

HB140P 2030058765

Hygiene bag, 30 items per box, 50 boxes per case

HBD191BP 2030058764

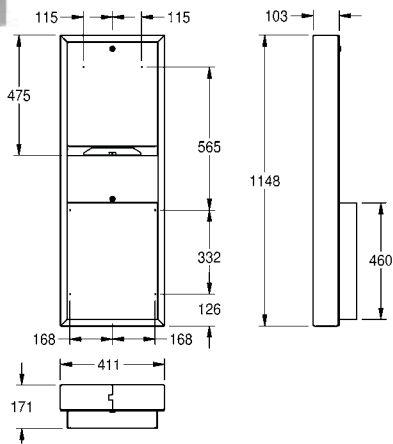
RODAN hygiene waste bin for wall mounting

Sanitary towel and disposal bin for wall mounting, stainless steel, surface satin finished, material thickness 0.8 mm, folded front cover, approx. 3.7 liter capacity, removable plastic container inside, includes stainless steel screws and dowels.

Dimensions 200 x 295 x 165 mm (W x H x D)

RODX611 2000090063

KWC RODAN combinations



Type	Article Number
------	----------------

RODAN paper towel dispenser/waste bin combination for wall mounting

Paper towel dispenser, waste bin combination for wall mounting, stainless steel, surface satin finished, material thickness 0.8 mm, folded front cover, cylinder lock with KWC standard key, loading capacity 500 - 800 pcs. of paper depending on convolution, waste bin with approx. 23 liter capacity, includes stainless steel screws and dowels.

Dimensions 411 x 1148 x 171 mm (W x H x D)

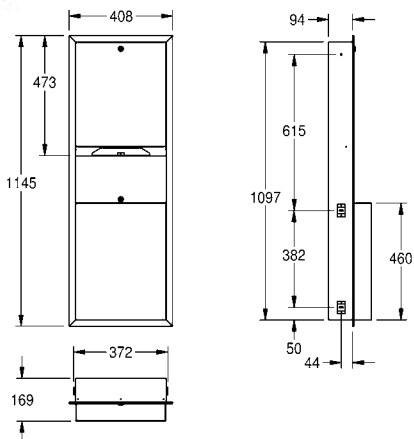
RODX602 2000090059

Optional accessories

Bag holder for RODX605 and RODX605E waste bin, for screw mounting
E-RODX605N 2030022424

Consumables

Folded paper towels, 225 items per pack, 20 packs per case.
FH70P 2030072378



RODAN paper towel dispenser/waste bin combination for recessed mounting

Paper towel dispenser - waste bin combination for recessed mounting, stainless steel, surface satin finished, material thickness 0.8 mm, folded front cover, cylinder lock with KWC standard key, loading capacity 500 - 800 pcs. of paper depending on convolution, waste bin with approx. 23 liter capacity, includes stainless steel screws and dowels.

Dimensions 408 x 1145 x 169 mm (W x H x D)

RODX602E 2000090060

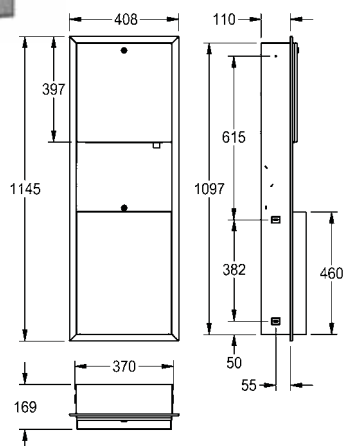
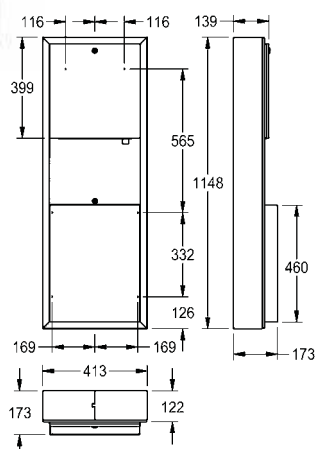
Optional accessories

Bag holder for RODX605 and RODX605E waste bin, for screw mounting
E-RODX605N 2030022424

Consumables

Folded paper towels, 225 items per pack, 20 packs per case.
FH70P 2030072378

KWC RODAN combinations



Type	Article Number
------	----------------

RODAN paper towel/soap dispenser/waste bin combination for wall mounting

Waste bin, paper towel-, soap dispenser combination for wall mounting, stainless steel, surface satin finished, material thickness 0.8 mm, cylinder lock with KWC standard key, paper towel dispenser with loading capacity 300 - 400 pcs. of paper depending on convolution, suitable for liquid soaps and lotions, 0.8 liter soap tank, push lever, waste bin with approx. 23 liter capacity, includes stainless steel screws and dowels.

Dimensions 413 x 1148 x 173 mm (W x H x D)

RODX617	2000101219
----------------	------------

Optional accessories

Bag holder for RODX605 and RODX605E waste bin, for screw mounting

E-RODX605N	2030022424
-------------------	------------

Consumables

Liquid soap, 1 litre, 6 bottles per pack

SO1LP	2030058103
--------------	------------

Liquid soap, in 10 litre canister

SO10L	2000057168
--------------	------------

Folded paper towels, 225 items per pack, 20 packs per case.

FH70P	2030072378
--------------	------------

RODAN paper towel/soap dispenser/waste bin combination for recessed mounting

Paper towel-, soap dispenser and waste bin combination for recessed mounting, stainless steel, surface satin finished, material thickness 0.8 mm, cylinder lock with KWC standard key, paper towel dispenser with loading capacity 300 - 400 pcs. of paper depending on convolution, suitable for liquid soaps and lotions, 0.8 liter soap tank, push lever, waste bin with approx. 23 liter capacity, includes stainless steel screws and dowels.

Dimensions 408 x 1145 x 169 mm (W x H x D)

RODX617E	2000101220
-----------------	------------

Optional accessories

Bag holder for RODX605 and RODX605E waste bin, for screw mounting

E-RODX605N	2030022424
-------------------	------------

Consumables

Liquid soap, 1 litre, 6 bottles per pack

SO1LP	2030058103
--------------	------------

Liquid soap, in 10 litre canister

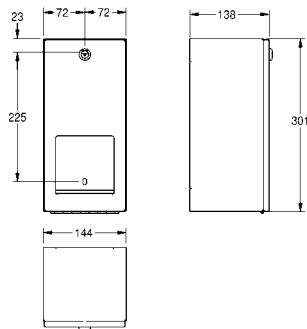
SO10L	2000057168
--------------	------------

Folded paper towels, 225 items per pack, 20 packs per case.

FH70P	2030072378
--------------	------------

KWC RODAN toilet roll holders

Type	Article Number
------	----------------

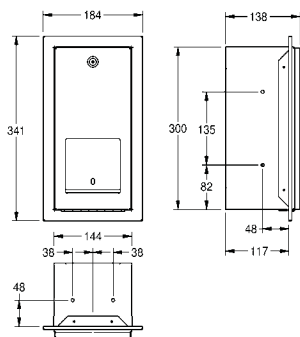


RODAN toilet roll holder for wall mounting

Double toilet roll holder with spindle system for wall mounting, stainless steel, surface satin finished, material thickness 0.8 mm, folded front cover, cylinder lock with KWC standard key, for 2 rolls with max. diameter 120 mm, second roll will be released after consumption of first roll, with spindles, reserve roll not visible, includes stainless steel screws and dowels.

Dimensions 144 x 301 x 138 mm (W x H x D)

RODX672 2000090072

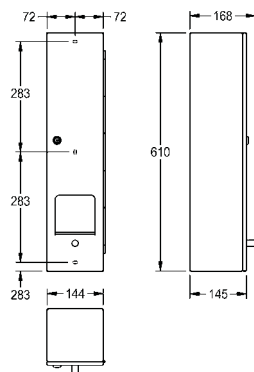


RODAN toilet roll holder for recessed mounting

Double toilet roll holder with spindle system for recessed mounting, stainless steel, surface satin finished, material thickness 0.8 mm, folded front cover, cylinder lock with KWC standard key, for 2 rolls with max. diameter 120 mm, second roll will be released after consumption of first roll, reserve roll not visible, includes stainless steel screws and dowels.

Dimensions 184 x 341 x 138 mm (W x H x D)

RODX672E 2000090073

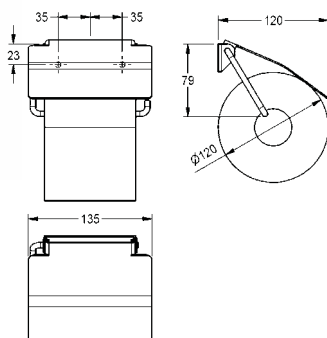


RODAN toilet roll holder for wall mounting

Toilet roll holder for 4 rolls for wall mounting, stainless steel, surface satin finished, material thickness 0.8 mm, with spindle system, cylinder lock with KWC standard key, includes stainless steel screws and dowels.

Manual release of refilling paper
Dimensions 144 x 610 x 168 mm (W x H x D)

RODX674B 2030002104



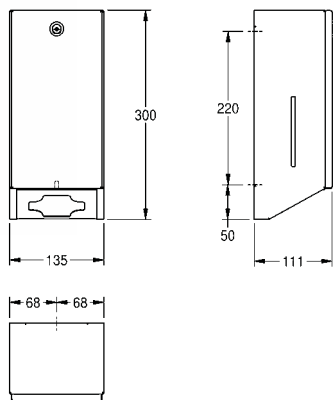
RODAN toilet roll holder for wall mounting

Toilet roll holder for wall mounting, stainless steel, surface satin finished, material thickness 0.8 mm, folding cover, for 1 roll with max. diameter 130 mm, includes stainless steel screws and dowels.

Dimensions 135 x 130 x 25 mm (W x H x D)

RODX678 2030013026

KWC RODAN dispenser, toilet brush holder



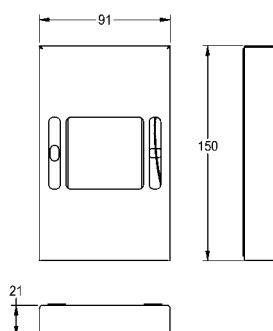
Type	Article Number
------	----------------

RODAN toilet paper dispenser

Rodan Toilet Paper Dispenser for wall mounting, stainless steel, surface satin finished, material thickness 0.8 mm, folded front cover, cylinder lock with KWC standard key, inspection windows on sides, loading capacity 450 - 500 pcs. of toilet paper depending on convolution, includes stainless steel screws and dowels.

Dimensions 135 x 300 x 111 mm (W x H x D)

RODX677	2030066921
----------------	------------



RODAN hygiene bag dispenser

Hygiene bag dispenser for wall mounting, stainless steel, surface satin finished, material thickness 0.8 mm, edges not welded, inboard lug to hold package, withdrawal from front, incl. premounted double side self-adhesive tape and stainless steel screws and dowels, includes cleaning rag to clean bonding surface.

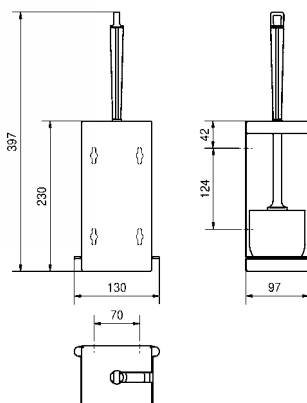
Dimensions 91 x 150 x 21 mm (W x H x D)

RODX191	2000101218
----------------	------------

Consumables

Hygiene bag, 30 items per box, 50 boxes per case

HBD191BP	2030058764
-----------------	------------



RODAN toilet brush holder

Toilet brush holder for wall mounting, stainless steel, surface satin finished, material thickness 1.2 mm, folded front, closed cover to the front, with white nylon brush with flushing rim cleaner, withdrawal opening either left or right, depending on mounting, removable plastic drip tray, includes stainless steel screws and dowels.

Dimensions 130 x 397 x 97 mm (W x H x D)

RODX687	2000100000
----------------	------------

Optional accessories

Toilet brush for toilet brush set RODX687, STRX687, black nylon, stainless steel handle

E-STRX687	2000100020
------------------	------------



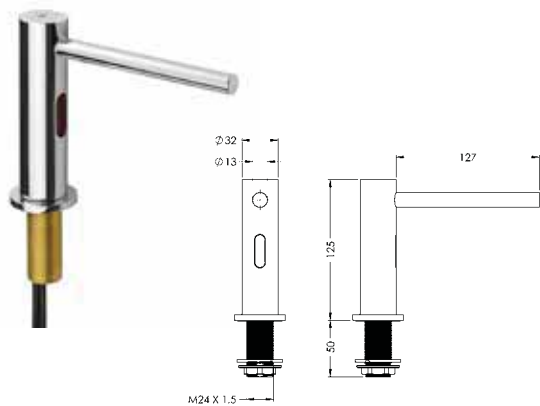
Supplementary accessories

Functional, sturdy and hygienic accessories made of stainless steel provide professionals with suitable solutions for designing washroom and toilet facilities. Sanitary fittings from KWC Professional succeed in ensuring easy to clean sanitary fittings.

Supplementary accessories

Soap dispensers	296
Waste bins, chute	297
Soap dishes	298
Trays, hook	299
Toilet roll holders	300
Toilet brushes	301
Mirrors	302
Baby changing tables	303

KWC Soap dispensers



Type	Article Number
------	----------------

Deck mounted electronic soap dispenser

Deck mounted electronic soap dispenser, opto-electronically controlled, to be connected to an on-wall mounted intended unit. The unit consists of a tank for liquid soap, a power supply and a pump unit, including 4 adjustable volumes per sensor operation. Sensor located inside all-metal housing, polished chromium-plated brass. Mains plug-in power supply unit 230 V AC including optional backup battery or external battery operation 6 V DC only (4 x AA, batteries not included).

SD99-010	2030039038
with nickel-coated brushed surface	
SD99-013	2030054678

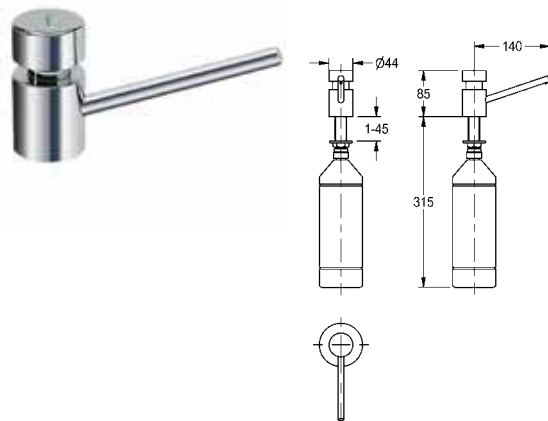


Table-top soap dispenser

Soap dispenser for table top mounting into worktops with max. 45 mm thickness, high polished chromated brass, requires 22 mm drilling hole, 1/2" thread, spout not movable, spout length 140 mm, suitable for liquid soaps and lotions, 1 liter soap tank with membrane for pressure balance, filled from above.

With standard body length (85 mm)
Dimensions 44 x 400 x 162 mm (W x H x D)

SD80	2000056721
-------------	------------

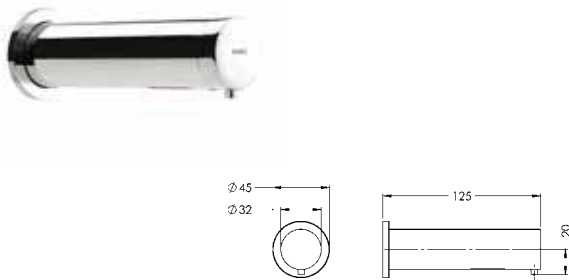
Consumables

Liquid soap, 1 litre, 6 bottles per pack

SO1LP	2030058103
--------------	------------

Liquid soap, in 10 litre canister

SO10L	2000057168
--------------	------------



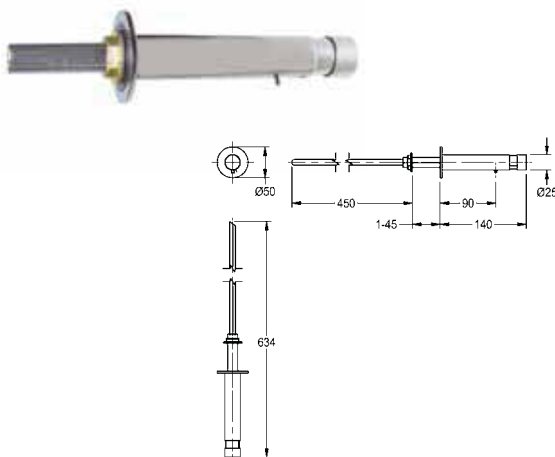
Electronic soap dispenser for wall mounting

Wall mounted electronic soap dispenser for concealed backwall installations, opto-electronically controlled, to be connected to an either on-wall or backwall mounted intended unit. The unit consists of a tank for liquid soap, a power supply and a pump unit, includes 4 adjustable volumes per sensor operation. Sensor located inside all-metal housing, polished chromium-plated brass. Mains plug-in power supply unit 230 V AC includes optional backup battery or external battery operation 6 V DC only (4 x AA, batteries not included).

SD99-009	2030039032
-----------------	------------

with nickel-coated brushed surface

SD99-012	2030054679
-----------------	------------



Soap dispenser for wall mounting

Soap dispenser for wall mounting and re-filling from Serviceroom behind the wall, high polished chromated brass, requires 18 mm drilling hole, 3/8" thread, spout not movable, suitable for liquid soaps and lotions, without soap tank (can be directly connected to soap can), for filling from behind the wall.

Dimensions 50 x 50 x 634 mm (W x H x D)

SD110	2000102699
--------------	------------

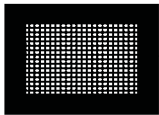
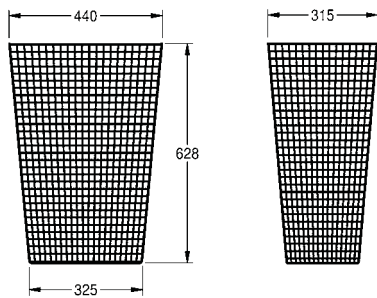
Consumables

Liquid soap, 1 litre, 6 bottles per pack

SO1LP	2030058103
--------------	------------

Liquid soap, in 10 litre canister

SO10L	2000057168
--------------	------------



Type	Article Number
------	----------------

Waste bin

Waste bin free standing or for wall mounting, stainless steel, surface satin finished, wire thickness 2 mm, square perforated facia pattern, includes stainless steel screws and dowels.

Dimensions 440 x 628 x 315 mm (W x H x D)

CHRX607	2000057137
Fill volume 31 litres, dimensions 350 x 505 x 252 mm (W x H x D)	
CHRX608	2000057138

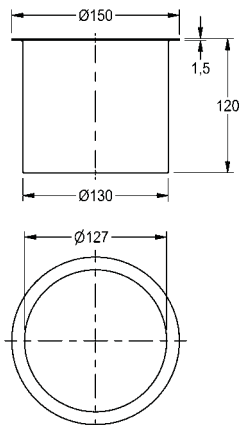


Waste disposal chute

Waste disposal barrel for table top mounting, stainless steel, visible surfaces satin finished, with raised edge, opening with 127 mm inner diameter, without waste container.

Dimensions 150 x 120 mm (D x H)

E-BS602E	2000101106
-----------------	------------



KWC Soap dishes

Type	Article Number
------	----------------

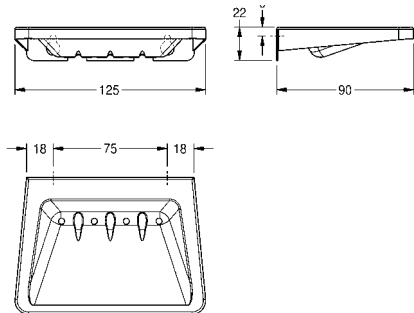
Soap tray

Soap tray for wall mounting, stainless steel, surface satin finished, material thickness 1.0 mm, deep drawn soap dish, includes stainless steel screws and dowels.

Dimensions 125 x 22 x 90 mm (W x H x D)

Soap dish with drainage

BS646	2000056910
--------------	------------

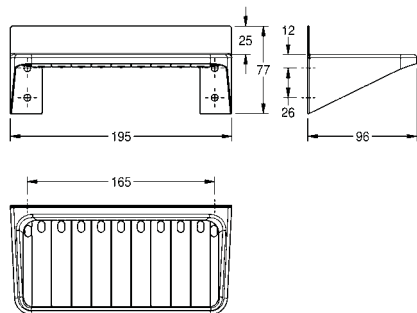


Storage dish

Tray/shelf for wall mounting, stainless steel, surface satin finished, material thickness 0.8 mm, drilling holes for water drain, includes stainless steel screws and dowels.

Dimensions 195 x 77 x 96 mm (W x H x D)

BS648	2000057041
--------------	------------

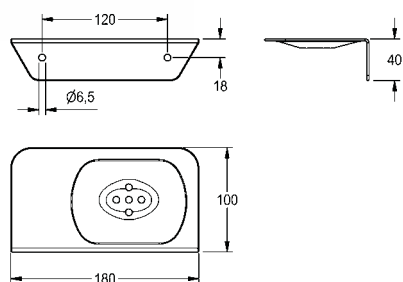


Soap and shower gel tray

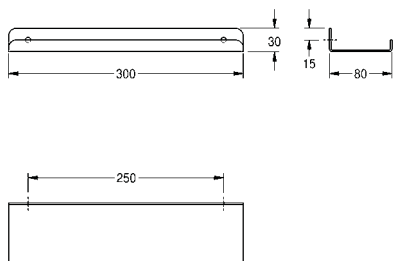
Soap and shower gel holder for wall mounting, nickel chromium steel, surface satin finish, material thickness 2.0 mm, deep drawn soap tray with drain holes, lateral shelf, rounded edges, includes stainless steel screws and dowels.

Dimensions 180 x 40 x 100 mm (W x H x D)

CHRX644	2000100804
----------------	------------



KWC Trays, hook



Type	Article Number
------	----------------

HEAVY-DUTY storage shelf

Shelf for wall mounting, stainless steel, surface satin finished, material thickness 2 mm, rounded edges, protection edge at front. Inclusive stainless steel crosshead screws and dowels.

Dimensions 300 x 30 x 80 mm (W x H x D)

AL300HD	2000056718
----------------	------------

Width 500 mm

TA500HD	2000102702
----------------	------------

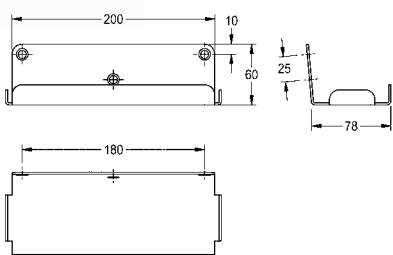
Width 600 mm

TA600HD	2000090054
----------------	------------

Optional accessories

BX security system HD consisting of: 2 screws, 2 heavy duty wall plugs, 1 key (= set)

BF22HD	2000101366
---------------	------------



HEAVY-DUTY storage shelf for wall mounting

Shelf for wall mounting, stainless steel, surface satin finished, material thickness 2 mm, rounded edges, protection edge at front, Includes stainless steel crosshead screws and dowels.

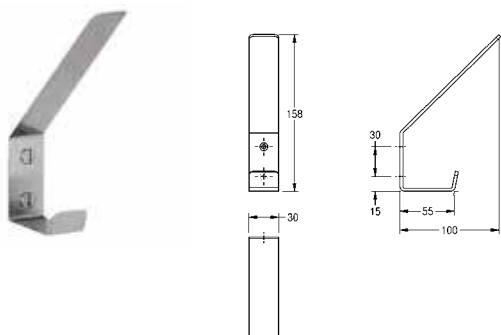
Dimensions 213 x 60 x 80 mm (W x H x D)

HDTX644	2000103076
----------------	------------

Optional accessories

BX security system HD consisting of: 2 screws, 2 heavy duty wall plugs, 1 key (= set)

BF22HD	2000101366
---------------	------------

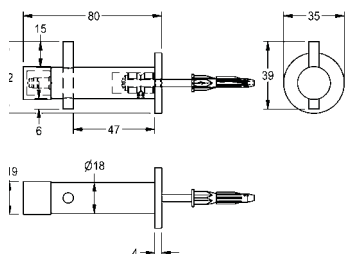


Clothes hook

Double cloth hook for wall mounting, stainless steel grade 304L, surface satin finished, two drilled holes for fixation, includes stainless steel screws and dowels.

Dimensions 30 x 158 x 100 mm (W x H x D)

CHRX690	2000057150
----------------	------------



Single coat hook with door stopper

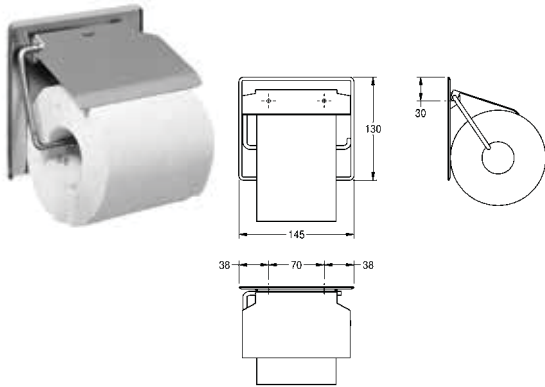
Single coat hook with door stopper, for wall mounting, stainless steel, surface satin finished, rubber door stopper at front end and steel plate at rear end, drilled hole on bottom for fixation, includes stainless steel screws and dowels.

Dimensions 80 x 42 x 39 mm (W x H x D)

FRK10233	2030016320
-----------------	------------

KWC Toilet roll holders

Type	Article Number
------	----------------

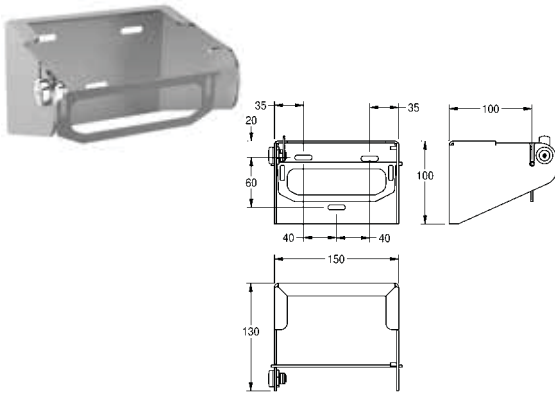


Toilet roll holder

Toilet roll holder for wall mounting, stainless steel, surface satin finished, material thickness 0.8 mm, folding cover, for 1 roll with max. diameter 130 mm, includes stainless steel screws and dowels.

Dimensions 145 x 130 x 25 mm (W x H x D)

BS677	2000057045
--------------	------------

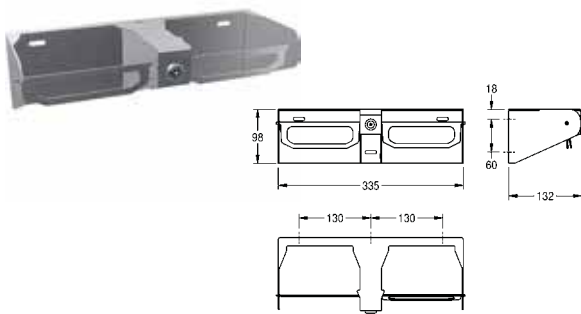


Toilet roll holder

Toilet roll holder for wall mounting, stainless steel, surface satin finished, material thickness 2 mm, cylinder lock with KWC standard key, for 1 roll with max. diameter 140 mm, thief protected spindle, controlled paper consumption due to spindle stop mechanism, includes stainless steel screws and dowels.

Dimensions 150 x 100 x 130 mm (W x H x D)

CHR675	2000057143
---------------	------------



Double toilet roll holder

Double toilet roll holder for wall mounting, stainless steel, surface satin finished, material thickness 2 mm, cylinder lock with KWC standard key, for 2 rolls with a maximum diameter of 140 mm, thief protected spindles, controlled paper consumption due to spindle stop mechanism, includes stainless steel screws and dowels.

Dimensions 335 x 98 x 132 mm (W x H x D)

CHR676N	2030028851
----------------	------------



Spare toilet roll holder

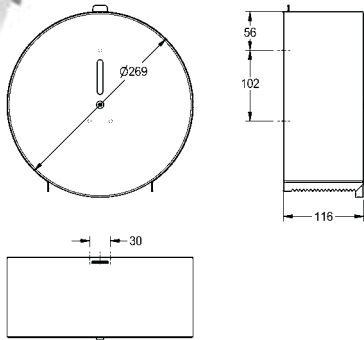
Spare roll holder for wall mounting, stainless steel, surface satin finished, material thickness 1.2 mm, 32 mm pipe diameter, for 2 rolls, plate for hidden mounting with stainless steel cover, inclusive stainless steel screws and dowels.

Dimensions 81 x 280 x 124 mm (W x H x D)

CHR679	2000057146
---------------	------------

KWC Toilet roll holders, brushes

Type	Article Number
------	----------------

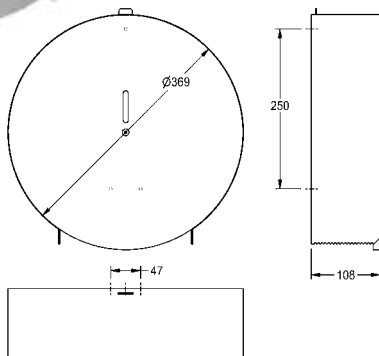


Jumbo toilet roll holder

Jumbo roll holder for wall mounting, stainless steel, surface satin finished, material thickness 0.8 mm, cylinder lock with KWC standard key, closed round casing with inspection window, paper withdrawal over two tear-off edges, for 1 roll with max. diameter 260 mm, includes stainless steel screws and dowels.

Dimensions 269 x 269 x 116 mm (W x H x D)

CHR669 2000060983

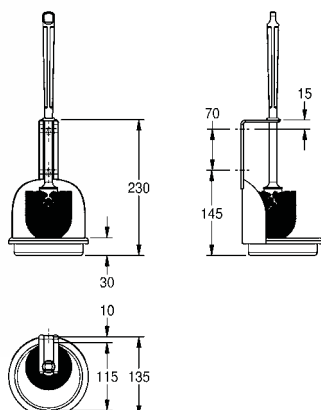


Jumbo toilet roll holder

Jumbo roll holder for wall mounting, stainless steel, surface satin finished, material thickness 0.9 mm, closed round casing with inspection window, paper withdrawal over two tear-off edges, locked with hexagonal allen screw, for 1 roll with max. diameter 350 mm, includes stainless steel screws, dowels and hexagonal allen key.

Dimensions 369 x 369 x 108 mm (W x H x D)

CHR670 2000057141



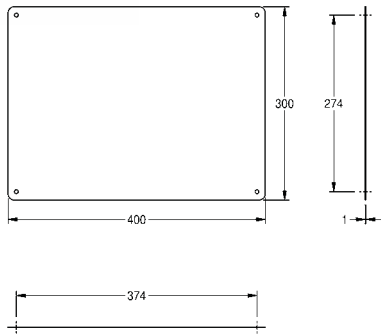
Toilet brush holder

Toilet brush holder for wall mounting, stainless steel, surface satin finished, material thickness 0.9 mm, white nylon brush with flushing rim cleaner, integrated drip tray, brush has to be hooked in, inclusive stainless steel screws and dowels.

Dimensions 135 x 235 x 135 mm (W x H x D)

BS686 2000057078

KWC Mirrors



Type	Article Number
------	----------------

Mirror

Stainless steel mirror for wall mounting, mirror with a reflective polished surface, material thickness 1 mm, four visible fixation points, includes stainless steel screws and dowels.

Dimensions 400 x 300 x 1 mm (W x H x D)

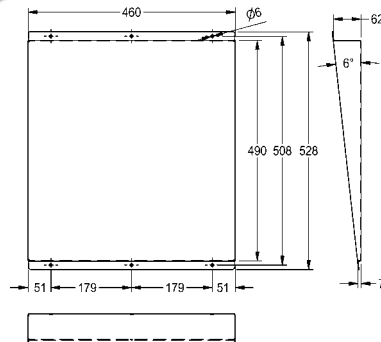
CHRH401 2000056953

Dimensions 500 x 400 x 1 mm (W x H x D)

CHRH501 2000056955

Dimensions 600 x 500 x 1 mm (W x H x D)

CHRH601 2000056956

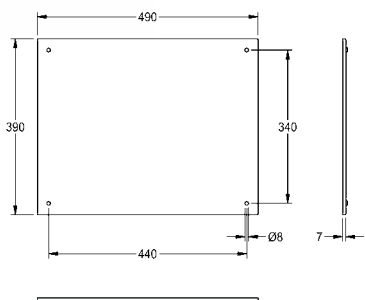
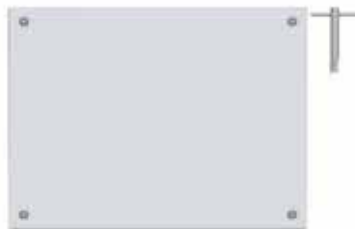


HEAVY-DUTY mirror

Stainless steel mirror for wall mounting, mirror with a reflective polished surface, material thickness 1 mm, mirror surface tilted towards user, six visible fixation points, includes stainless steel screws and dowels.

Dimensions 460 x 528 x 62 mm (W x H x D)

M501HD 2000103195



HEAVY-DUTY mirror

Stainless steel mirror, for wall mounting, high polished, material thickness 1.0 mm, continuous bevelling, reinforced with polystyrene plate, anti-theft fixings, mounting material included.

Dimensions 490 x 390 x 7 mm (W x H x D)

HDTX0010 2030019878

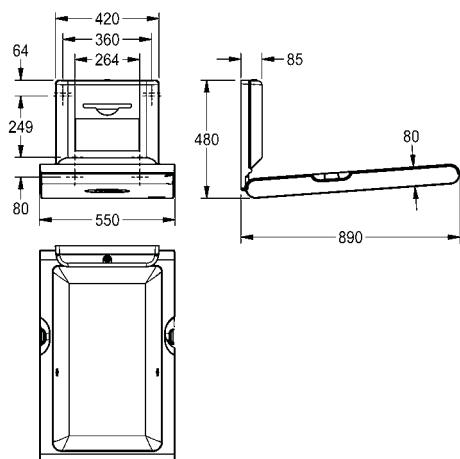
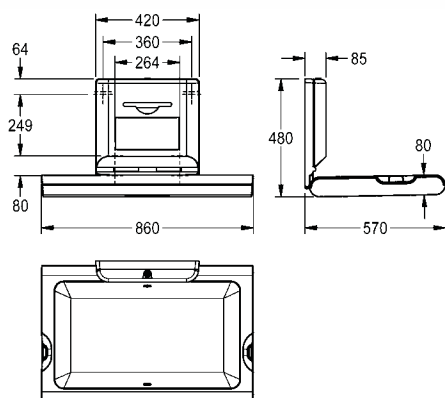
Dimensions 590 x 390 x 7 mm (W x H x D)

HDTX0011 2030019884

Dimensions 590 x 490 x 7 mm (W x H x D)

HDTX0012 2030019886

KWC Baby changing tables



Type	Article Number
------	----------------

CAMBRINO horizontal baby changing table

CAMBRINO horizontal baby changing table for wall mounting, made of polypropylene with antibacterial Biocote® protection, white colour, hinged, with integrated shock absorber for safe opening and closing, nylon safety belt and hooks on both sides, lockable dispenser for single-use paper covers in Interfold folding with maximum width 260 mm. Certified according to EN 12221-1 and EN 12221-2. Including mounting material and 80 single-use paper covers.

Dimensions when closed 860 x 565 x 100 mm (W x H x D)

Dimensions when open 860 x 480 x 570 mm (W x H x D)

CAMB10HP	2030057691
-----------------	------------

with front panel made of stainless steel

CAMB11HS	2030057693
-----------------	------------

Consumables

Single-use paper covers, 80 items per pack, 25 packs per case

ECAMB001	2030057745
-----------------	------------

CAMBRINO vertical baby changing table

CAMBRINO vertical baby changing table for wall mounting, made of polypropylene with antibacterial Biocote® protection, white colour, hinged, with integrated shock absorber for safe opening and closing, nylon safety belt and hooks on both sides, lockable dispenser for single-use paper covers in Interfold folding with maximum width 260 mm. Certified according to EN 12221-1 and EN 12221-2. Including mounting material and 80 single-use paper covers.

Dimensions when closed 550 x 890 x 100 mm (W x H x D)

Dimensions when open 550 x 480 x 890 mm (W x H x D)

CAMB20VP	2030057694
-----------------	------------

with front panel made of stainless steel

CAMB22VS	2030057695
-----------------	------------

Consumables

Single-use paper covers, 80 items per pack, 25 packs per case

ECAMB001	2030057745
-----------------	------------



Accessories

MEDIUS | FIRMUS | CUBUS

Accessories are a useful addition to any bathroom. KWC Professional's assortment of high-polished 1.4301 stainless steel accessories puts the finishing touches on a perfectly coordinated bathroom design. Each of the three lines was designed with a different stylistic direction.

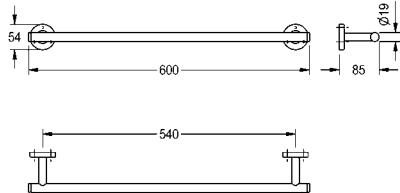
The classic lines of the MEDIUS range, the minimalist FIRMUS products and the striking forms of the CUBUS accessories support different design preferences and can be integrated into practically any design concept.

Hotel and residential accessories

MEDIUS Accessories	306
FIRMUS Accessories	309
CUBUS Accessories	312
Baskets	315

KWC MEDIUS Accessories

Type	Article Number
------	----------------

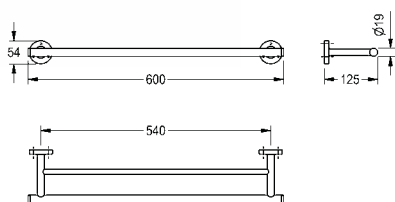


MEDIUS individual towel rail

Single towel rail for wall mounting, 304 stainless steel, round covers to conceal the fixing of screws, includes stainless steel screws and dowels.

Surface high polished
Dimensions 600 x 54 x 85 mm (W x H x D)

MEDX001HP	2000106243
------------------	------------

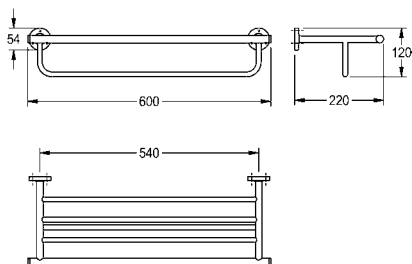


MEDIUS double towel rail

Double towel rail for wall mounting, 304 stainless steel, round covers to conceal the fixing of screws, includes stainless steel screws and dowels.

Surface high polished
Dimensions 600 x 54 x 125 mm (W x H x D)

MEDX002HP	2000106245
------------------	------------

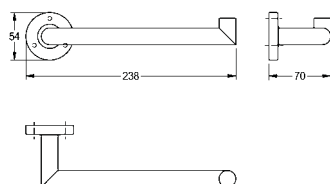


MEDIUS double towel rack

Double towel rack in combination of towel shelf and rail for wall mounting, 304 stainless steel, round covers to conceal the fixing of screws, includes stainless steel screws and dowels.

Surface high polished
Dimensions 600 x 120 x 220 mm (W x H x D)

MEDX012HP	2000106257
------------------	------------



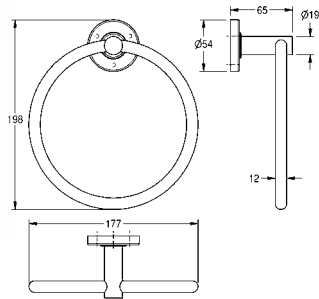
MEDIUS towel arm

Towel arm for wall mounting, 304 stainless steel, round covers to conceal the fixing of screws, includes stainless steel screws and dowels.

Surface high polished
Dimensions 238 x 54 x 70 mm (W x H x D)

MEDX004HP	2000106247
------------------	------------

Type	Article Number
------	----------------

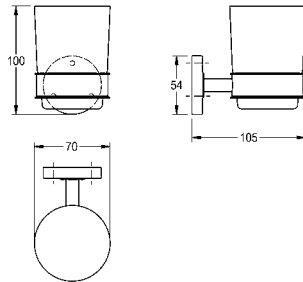


MEDIUS towel ring

Towel ring for wall mounting, 304 stainless steel, round covers to conceal the fixing of screws, includes stainless steel screws and dowels.

Surface high polished
Dimensions 177 x 198 x 65 mm (W x H x D)

MEDX104HP 2000106385

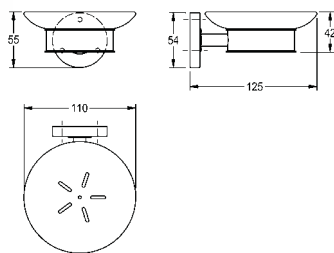


MEDIUS tumbler holder

Tumbler holder for wall mounting, 304 stainless steel, glass cup, round covers to conceal the fixing of screws, includes stainless steel screws and dowels.

Surface high polished
Dimensions 70 x 100 x 105 mm (W x H x D)

MEDX006HP 2000106251

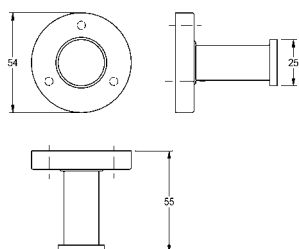


MEDIUS soap tray

Soap dish for wall mounting, 304 stainless steel, glass dish, round covers to conceal the fixing of screws, includes stainless steel screws and dowels.

Surface high polished
Dimensions 110 x 55 x 125 mm (W x H x D)

MEDX007HP 2000106253



MEDIUS robe hook

Single robe hook for wall mounting, 304 stainless steel, round cover to conceal the fixing of screws, includes stainless steel screws and dowels.

Surface high polished
Dimensions 54 x 54 x 55 mm (W x H x D)

MEDX010HP 2000106255

Type	Article Number
------	----------------

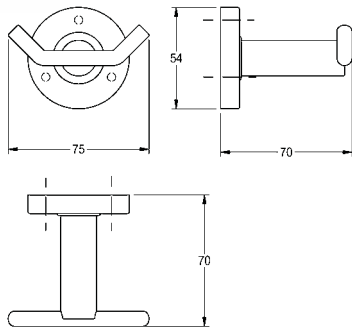


MEDIUS double robe hook

Double robe hook for wall mounting, 304 stainless steel, round cover to conceal the fixing of screws, includes stainless steel screws and dowels.

Surface high polished
Dimensions 75 x 54 x 70 mm (W x H x D)

MEDX0110HP	2000106261
-------------------	------------

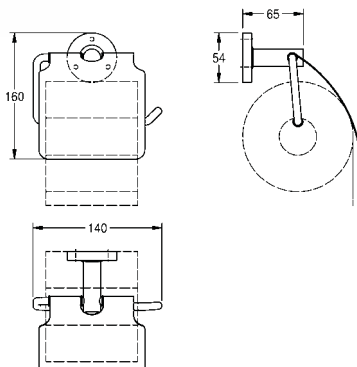


MEDIUS toilet roll holder

Toilet roll holder for wall mounting, 304 stainless steel, for 1 roll with max. diameter 130 mm, stainless steel folding cover, round cover to conceal the fixing of screws, includes stainless steel screws and dowels.

Surface high polished
Dimensions 140 x 160 x 65 mm (W x H x D)

MEDX111HP	2000106263
------------------	------------

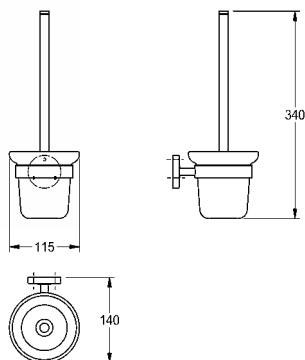


MEDIUS toilet brush holder

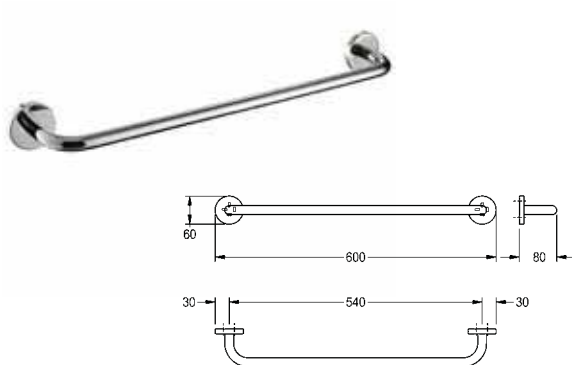
Toilet brush holder for wall mounting, 304 stainless steel handle with nylon brush, glass cup, round covers to conceal the fixing of screws, includes stainless steel screws and dowels.

Surface high polished
Dimensions 115 x 340 x 140 mm (W x H x D)

MEDX005HP	2000106249
------------------	------------



Type	Article Number
------	----------------

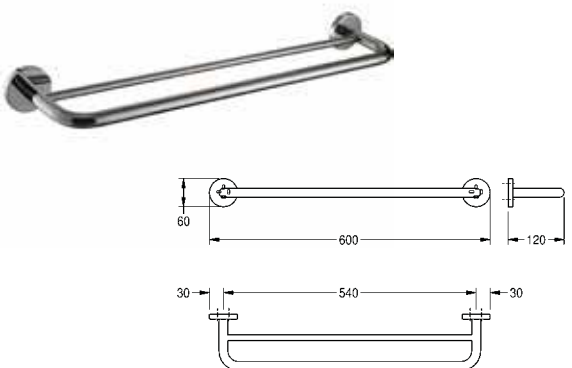


FIRMUS individual towel rail

Single towel rail for wall mounting, 304 stainless steel, round covers with drilled hole on bottom for fixation, includes stainless steel screws and dowels.

Surface high polished
Dimensions 600 x 60 x 80 mm (W x H x D)

FIRX001HP	2000106265
------------------	------------

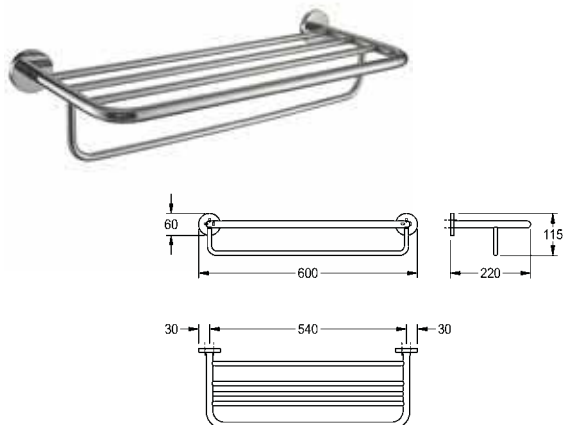


FIRMUS double towel rail

Double towel rail for wall mounting, 304 stainless steel, round covers with drilled hole on bottom for fixation, includes stainless steel screws and dowels.

Surface high polished
Dimensions 600 x 60 x 120 mm (W x H x D)

FIRX002HP	2000106267
------------------	------------

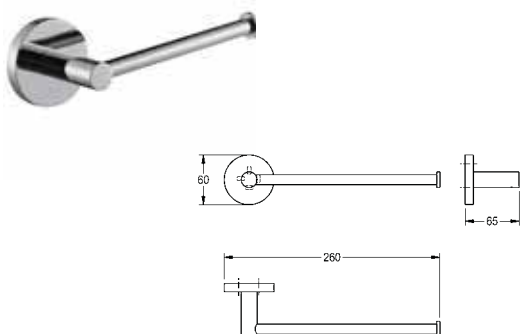


FIRMUS double towel rack

Double towel rack in combination of towel shelf and rail for wall mounting, 304 stainless steel, round covers with drilled hole on bottom for fixation, includes stainless steel screws and dowels.

Surface high polished
Dimensions 600 x 115 x 220 mm (W x H x D)

FIRX012HP	2000106281
------------------	------------



FIRMUS towel arm

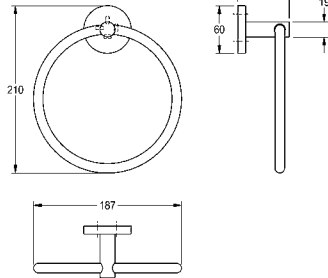
Towel arm for wall mounting, 304 stainless steel, round covers with drilled hole on bottom for fixation, includes stainless steel screws and dowels.

Surface high polished
Dimensions 260 x 60 x 65 mm (W x H x D)

FIRX004HP	2000106271
------------------	------------

KWC FIRMUS Accessories

Type	Article Number
------	----------------

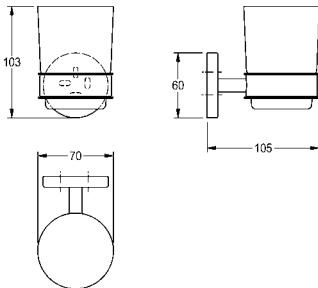


FIRMUS towel ring

Towel ring for wall mounting, 304 stainless steel, round covers with drilled hole on bottom for fixation, includes stainless steel screws and dowels.

Surface high polished
Dimensions 187 x 210 x 65 mm (W x H x D)

FIRX104HP	2000106283
------------------	------------

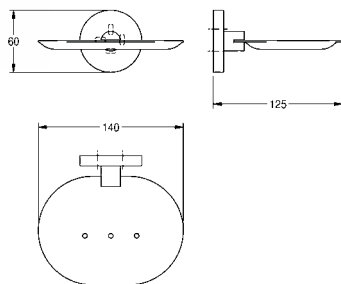


FIRMUS tumbler holder

Tumbler holder for wall mounting, 304 stainless steel, glass cup, round covers with drilled hole on bottom for fixation, includes stainless steel screws and dowels.

Surface high polished
Dimensions 70 x 103 x 105 mm (W x H x D)

FIRX006HP	2000106275
------------------	------------

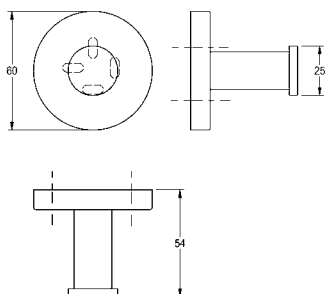


FIRMUS soap tray

Soap dish for wall mounting, 304 stainless steel, round covers with drilled hole on bottom for fixation, includes stainless steel screws and dowels.

Surface high polished
Dimensions 140 x 60 x 125 mm (W x H x D)

FIRX107HP	2000106285
------------------	------------



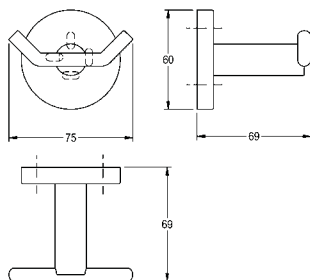
FIRMUS robe hook

Single robe hook for wall mounting, 304 stainless steel, round covers with drilled hole on bottom for fixation, includes stainless steel screws and dowels.

Surface high polished
Dimensions 60 x 60 x 54 mm (W x H x D)

FIRX010HP	2000106279
------------------	------------

Type	Article Number
------	----------------

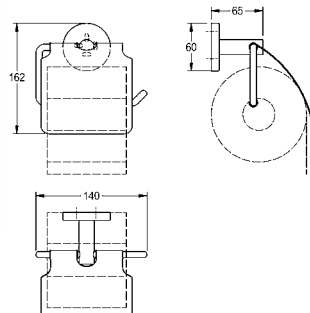


FIRMUS double robe hook

Double robe hook for wall mounting, 304 stainless steel, round covers with drilled hole on bottom for fixation, includes stainless steel screws and dowels.

Surface high polished
Dimensions 75 x 60 x 69 mm (W x H x D)

FIRX0110HP 2000106287

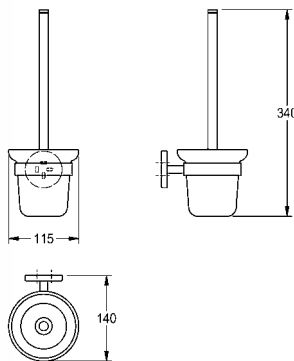


FIRMUS toilet roll holder

Toilet roll holder for wall mounting, 304 stainless steel, for 1 roll with max. diameter 130 mm, stainless steel folding cover, round covers with drilled hole on bottom for fixation, includes stainless steel screws and dowels.

Surface high polished
Dimensions 140 x 162 x 65 mm (W x H x D)

FIRX111HP 2000106289

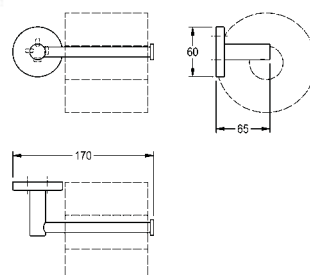


FIRMUS toilet brush holder

Toilet brush holder for wall mounting, 304 stainless steel handle with nylon brush, glass cup, round covers to conceal the fixing of screws, includes stainless steel screws and dowels.

Surface high polished
Dimensions 115 x 340 x 140 mm (W x H x D)

FIRX005HP 2000106273



FIRMUS replacement toilet roll holder

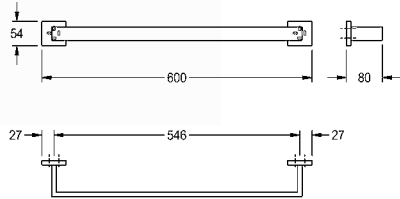
Spare toilet roll holder for wall mounting, 304 stainless steel, roundcovers with drilled hole on bottom for fixation, includes stainless steel screws and dowels.

Surface high polished
Dimensions 170 x 60 x 65 mm (W x H x D)

FIRX211HP 2000106293

KWC CUBUS Accessories

Type	Article Number
------	----------------

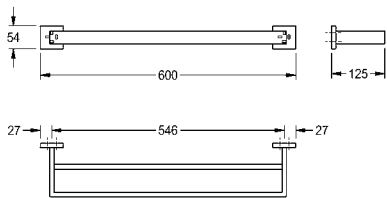


CUBUS individual towel rail

Single towel rail for wall mounting, 304 stainless steel, square covers with drilled hole on bottom for fixation, includes stainless steel screws and dowels.

Surface high polished
 Dimensions 600 x 54 x 80 mm (W x H x D)

CUBX001HP 2000106345

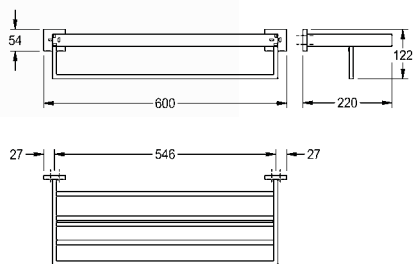
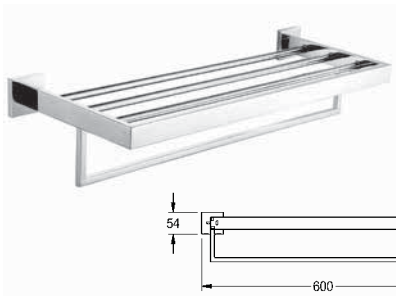


CUBUS double towel rail

Double towel rail for wall mounting, 304 stainless steel, square covers with drilled hole on bottom for fixation, includes stainless steel screws and dowels.

Surface high polished
 Dimensions 600 x 54 x 125 mm (W x H x D)

CUBX002HP 2000106347

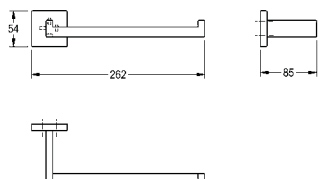


CUBUS double towel rack

Double towel rack in combination of towel shelf and rail for wall mounting, 304 stainless steel, square covers with drilled hole on bottom for fixation, includes stainless steel screws and dowels.

Surface high polished
 Dimensions 600 x 122 x 220 mm (W x H x D)

CUBX012HP 2000106361



CUBUS towel arm

Towel arm for wall mounting, 304 stainless steel, square covers with drilled hole on bottom for fixation, includes stainless steel screws and dowels.

Surface high polished
 Dimensions 262 x 54 x 85 mm (W x H x D)

CUBX004HP 2000106351

Type	Article Number
------	----------------

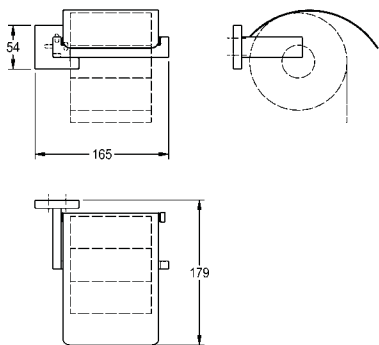


CUBUS toilet roll holder

Toilet roll holder for wall mounting, 304 stainless steel, for 1 roll with max. diameter 130 mm, stainless steel folding cover, square cover with drilled hole on bottom for fixation, includes stainless steel screws and dowels.

Surface high polished
 Dimensions 165 x 54 x 179 mm (W x H x D)

CUBX111HP 2000106363

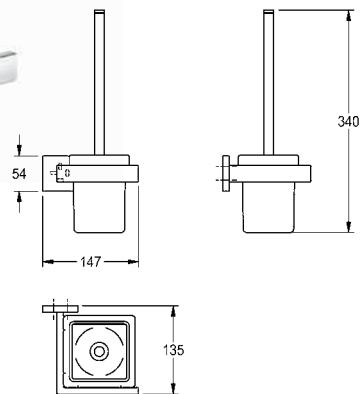


CUBUS toilet brush holder

Toilet brush holder for wall mounting, 304 stainless steel handle with nylon brush, square glass cup, square cover with drilled hole on bottom for fixation, includes stainless steel screws and dowels.

Surface high polished
 Dimensions 147 x 340 x 135 mm (W x H x D)

CUBX005HP 2000106353

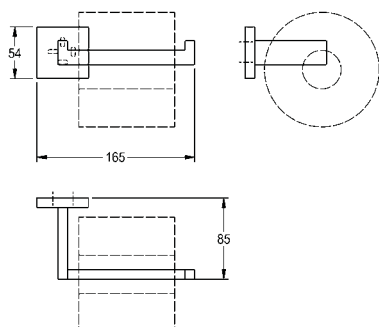


CUBUS replacement toilet roll holder

Spare toilet roll holder for wall mounting, 304 stainless steel, square covers with drilled hole on bottom for fixation, includes stainless steel screws and dowels.

Surface high polished
 Dimensions 165 x 54 x 85 mm (W x H x D)

CUBX211HP 2000106365



KWC CUBUS Accessories

Type	Article Number
------	----------------

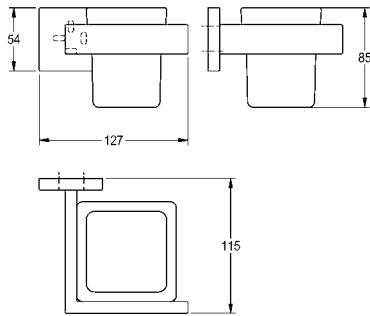


CUBUS tumbler holder

Tumbler holder for wall mounting, 304 stainless steel, square glass cup, square cup with drilled holes on bottom for fixation, includes stainless steel screws and dowels.

Surface high polished
 Dimensions 127 x 85 x 115 mm (W x H x D)

CUBX006HP 2000106355

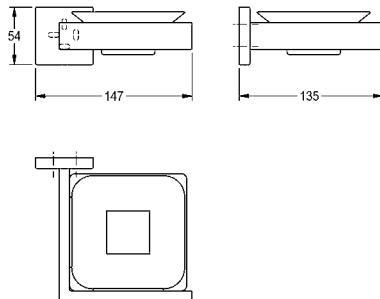


CUBUS soap tray

Soap dish for wall mounting, 304 stainless steel, glass dish, square covers with drilled hole on bottom for fixation, includes stainless steel screws and dowels.

Surface high polished
 Dimensions 147 x 54 x 135 mm (W x H x D)

CUBX007HP 2000106357

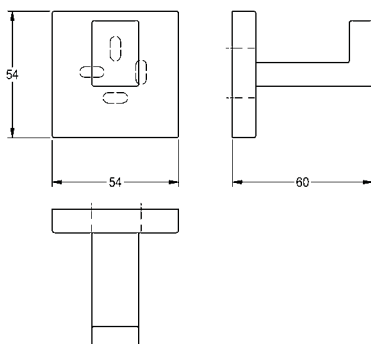


CUBUS robe hook

Single robe hook for wall mounting, 304 stainless steel, square covers with drilled hole on bottom for fixation, includes stainless steel screws and dowels.

Surface high polished
 Dimensions 54 x 54 x 60 mm (W x H x D)

CUBX010HP 2000106359



KWC Baskets

Type	Article Number
------	----------------

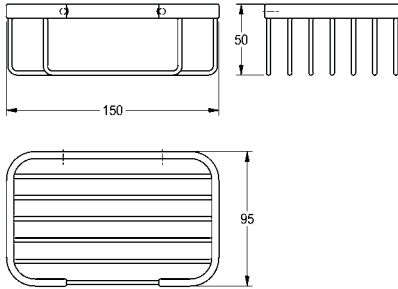


Square basket for wall mounting

Square basket for wall mounting, 304 stainless steel, used for shower or bath, includes stainless steel screws and dowels.

Surface high polished
 Dimensions 150 x 50 x 95 mm (W x H x D)

MISX0009HP	2000106381
-------------------	------------

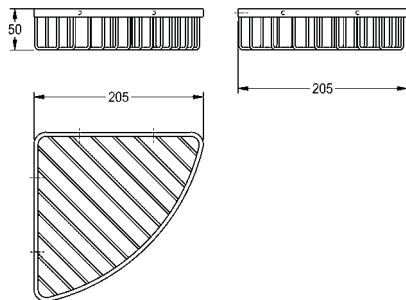


Corner basket

Corner basket for wall mounting, 304 stainless steel, used for shower or bath, includes stainless steel screws and dowels.

Surface high polished
 Dimensions 205 x 50 x 205 mm (W x H x D)

MISX2009HP	2000106380
-------------------	------------





Hand and hair dryers

Compact and efficient hand and hair dryers have become an indispensable part of modern sanitary facilities.

The range of products includes matching models for the EXOS., STRATOS and RODAN accessory lines, in addition to an innovative Hands-in warm air hand dryer and the F5 hair dryer. Thanks to their high-performance, they ensure a convenient solution for drying hands and hair after washing.

Hand and hair dryers

Hand dryers	318
Hair dryer	321

Type	Article Number
------	----------------

INOX PLUS

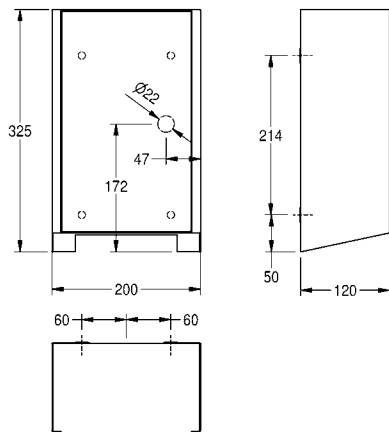
EXOS. hand dryers



Hand dryer for wall mounting, stainless steel with satin-finish and InoxPlus surface refinement for the reduction of finger marks and better cleaning characteristics (easy to clean), material thickness 1.2 mm, with contactless opto-electronic sensor for touch-free operation, adjustable hot air temperature, sensor range adjustable from 10 to 25 cm, protection from continuous operation with automatic switch-off after 60 seconds, air speed adjustable, cable and plug not included.

Operating voltage 220-240V AC, 50-60 Hz
 Total power 800-1000 W
 Heater 500 W
 Motor 500 W
 Air volume 80 m³/h
 Air velocity 95 - 115 m/s

Dimensions 200 x 325 x 120 mm (W x H x D)



EXOS220X	2030027981
InoxPlus-coated main housing, black toughened safety glass front panel	
EXOS220B	2030034622
InoxPlus-coated main housing, white toughened safety glass front panel	
EXOS220W	2030034660



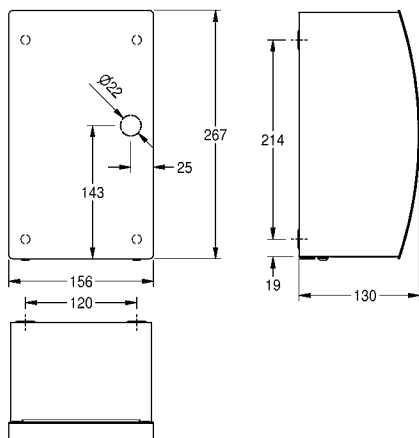
INOX PLUS

STRATOS electronic hand dryer

Touch free electronic warm air hand dryer for wall mounting, stainless steel, surface satin finished, front with InoxPlus surface refinement for the reduction of finger marks and better cleaning characteristics (easy to clean), material thickness 1.5mm, curved front cover, infra-red sensor activity for non-touch operation, adjustable warm air temperature, sensor range adjustable from 10 to 25 cm, automatic power shut-off after 60 seconds, adjustable air velocity allows to shorten the drying time considerably, cable and plug not included.

Operating voltage 220-240V AC, 50-60 Hz
 Total power 800-1000 W
 Heater 500 W
 Motor 500 W
 Air volume 80 m³/h
 Air velocity 95 - 115 m/s

Dimensions 156 x 267 x 130 mm (W x H x D)



STRX220	2030027296
----------------	------------

KWC Hand dryers

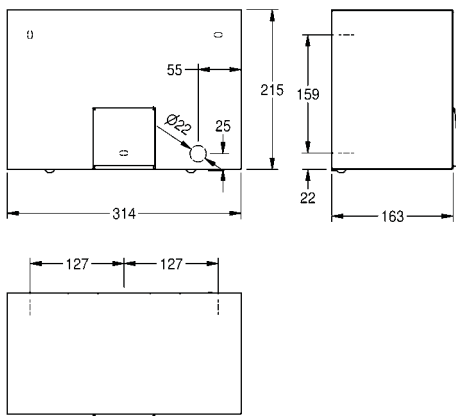
Type	Article Number
------	----------------

RODAN electronic hand dryer

Touch free electronic warm air hand dryer for wall mounting, stainless steel, surface satin finished, material thickness 1.2 mm, infrared sensor activity for non-touch operation, sensor range adjustable from 10 to 30 cm, cable and plug not included.

Connection voltage 230 V, 50 Hz
 Total power 2200 W
 Heater 2100 W
 Motor 100 W
 Motor min 2850 U/min
 Air volume 274 m³/h
 Air velocity 15.5 m/s
 Dimensions 314 x 215 x 163 mm (W x H x D)

RODX310 2000090055



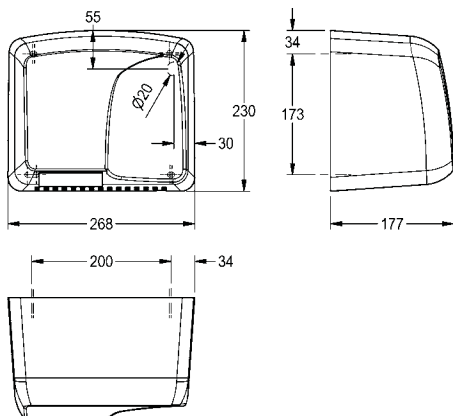
Hand and hair dryers

Electronic hand dryer

Touch free electronic warm air hand dryer for wall mounting, material thickness 3 mm, infrared sensor activity for non-touch operation, sensor range adjustable from 15 to 19 cm, automatic power shut-off after 60 seconds, cable and plug not included.

Connection voltage 220 - 240 V, 50 - 60 Hz
 Total power 1800 W
 Heater 1720 W
 Motor 80 W motor with 2800 rpm
 Noise 64 db(A)
 Air volume 255 m³/h
 Air velocity 14.5 m/s
 Dimensions 268 x 230 x 177 mm (W x H x D)

ARTW410 2000056770



KWC Hand dryers



Type	Article Number
------	----------------

Hands-in dryer

High Speed „Hands-in“ hand dryer for wall mounting, antibacterial ABS plastic, colour silver, drying time 7-10 seconds, hygienic thanks to non-contact opto-electronically controlled release and integrated HEPA filter, adjustable air speed, optionally warm or cold air, auto shutdown after 25 seconds, water tank and discharge can be cleaned separately, protection class IP44. Cable and plug not included in scope of delivery.

Supply voltage 220 - 240 V, 50 - 60 Hz

Performance overall 1250 - 1650 W

Heating 550 W

Noise 65 - 69 dB(A)

Air speed 75 - 100 m/s

Water tank capacity 800 ml

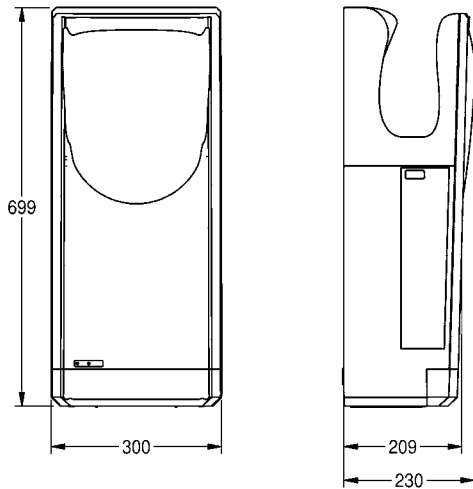
Dimensions 300 x 699 x 230 mm (W x H x D)

DRYX600	2030069907
----------------	------------

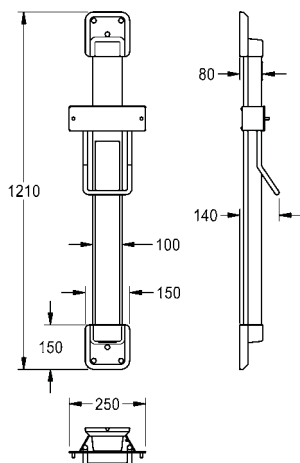
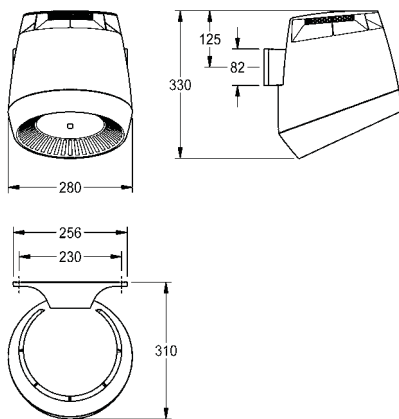
Consumables

HEPA filter for Hands-in hand dryer

EDRYX503	2030037355
-----------------	------------



KWC Hair dryer



Type	Article Number
------	----------------

F5 hood hair dryer

F5 hood hair dryer for wall mounting, opto-electronically controlled for touch-free activation, integrated ion technology, brushless and maintenance-free EC motor. Sensor range and safety switch-off for permanent reflexion adjustable using optional bidirectional remote control. Made of thermoplastic material, housing and mounting in light grey, **drying recess in white**, with 4 air outlets for even hot air distribution.

Operating voltage 230 V AC, 50/60 Hz
 Overall power 1300 W
 Heating power 1200 W
 Protective system IP23
 Air quantity 190 m³/h = 53 l/s
 Air speed 8 m/s
 Noise level 66 db (A)
 Dimensions 280 x 331 x 307 mm (W x H x D)

F5DR2001	2030050305
Drying recess in basalt grey colour	
F5DR2002	2030052323
Drying recess in pearl gentian blue colour	
F5DR2003	2030052324
Drying recess in lemon yellow colour	
F5DR2004	2030052327
Drying recess in signal red colour	
F5DR2005	2030052328

Optional accessories

Bidirectional remote control

ACEX9005	2030036654
-----------------	------------

Height adjustment for F5 hood hair dryers

Height adjustment for F5 hood hair dryer, for wall mounting, 600 mm continuously adjustable, with constant force rolling band spring, guide rail made of anodised aluminium, with 4 mm thick crystal mirror, fully adhered, covered, vandalism-resistant cable channel, **colour combination silver/white end caps**.

Dimensions 250 x 1200 x 140 mm (W x H x D)

ACDR0001	2030052329
Colour combination silver/basalt grey end caps.	
ACDR0002	2030052330
Colour combination silver/pearl gentian blue end caps	
ACDR0003	2030052331
Colour combination silver/lemon yellow end caps	
ACDR0004	2030052332
Colour combination silver/signal red end caps	
ACDR0005	2030052333



Accessible washroom equipment

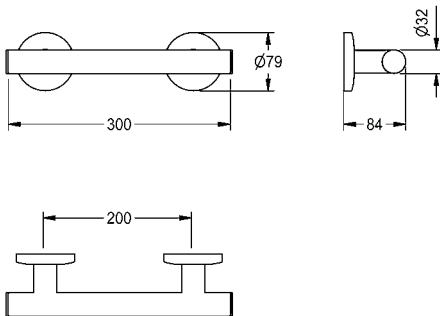
Stability and user-friendliness are the central topics for accessible sanitary facilities. Whether it be in medical environments, care facilities or public toilets, mobility aids such as support and grab rails, hinged seats in showers, backrests, manual spray holders or and adjustable mirrors provide a safer environment.

Accessible washroom equipment

MEDCARE grap rails, angled grap rails, curtain rods	324
MEDCARE hinged grab rail	326
CONTINA grab rails	327
CONTINA hand rails, hinged grab rails	329
CONTINA shower seats	331
CONTINA shower head holder, shelf, mirrors	332

Please find further barrier-free products in the chapters 'Mineral granite washbasins', 'Sanitary facilities for the healthcare sector' and 'Urinals and WCs'.

KWC MEDCARE grab rails, angled grab rails



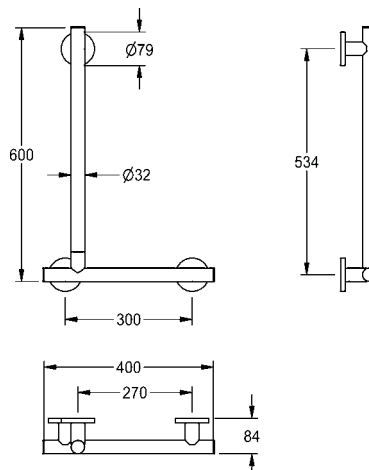
Type	Article Number
------	----------------

MEDCARE grab rail

MEDCARE grab rail for wall mounting, for barrier-free requirements, stainless steel, basalt grey coated surface, 32 mm pipe diameter, 1.5 mm material thickness, 84 mm wall clearance, with plastic end caps, concealed mounting via stainless steel cylinders and rosettes, including mounting material.

Length 300 mm
Dimensions 306 x 72 x 84 mm (W x H x D)

MEDC0001	3600003768
Length 600 mm	
MEDC0002	3600003769
Length 750 mm	
MEDC0003	3600003770
Length 900 mm	
MEDC0004	3600003771



MEDCARE 90° angled grab rail

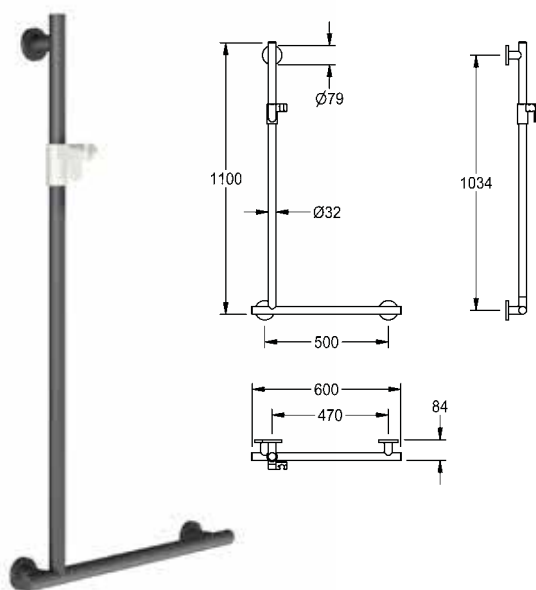
MEDCARE 90° angled grab rail for wall mounting, stainless steel, basalt grey coated surface, 32 mm pipe diameter, 1.5 mm material thickness, 84 mm wall clearance, with plastic end caps, concealed mounting via stainless steel cylinders and rosettes, including mounting material.

Right-hand version
Dimensions 406 x 623 x 84 mm (W x H x D)

MEDC0007	3600003775
Left-hand version	
MEDC0008	3600003776

KWC MEDCARE angled grab rails, curtain rods

Type Article Number



MEDCARE 90° angled grab rail with hand shower holder

MEDCARE 90° angled grab rail with hand shower holder, for wall mounting, stainless steel, basalt grey coated surface, 32 mm pipe diameter, 1.5 mm material thickness, 84 mm wall clearance, with plastic end caps, concealed mounting via stainless steel cylinders and rosettes, equipped with plastic shower holder, Alpine white colour, including mounting material.

Right-hand version
dimensions 606 x 1123 x 84 mm (W x H x D)

MEDC0005 3600003772

Left-hand version

MEDC0006 3600003774



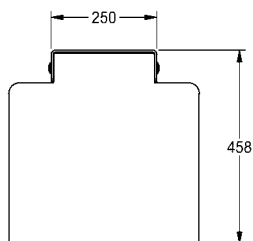
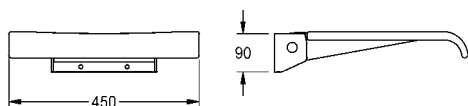
NEW

MEDCARE foldable shower seat

MEDCARE foldable shower seat for wall mounting, with continuous and ergonomically shaped seat made of polyurethane, colour basalt grey, with integrated reinforcement frame, protection against accidental folding down, wall bracket made of stainless steel, surface satin finished, load capacity up to 150 kg, mounting material to be provided by the client.

Dimensions 450 x 95 x 458 mm (W x H x D)

MEDC0013 3600003783



MEDCARE curtain rod

MEDCARE curtain rod, for wall and ceiling mounting, stainless steel, basalt grey coated surface, 27 mm pipe diameter, 1.5 mm material thickness, consisting of two horizontal rods joined at a right angle and one ceiling mounting; curtain rod and ceiling mounting can be shortened on site if necessary, stainless steel mounting cylinder, satin finish surface, curtain rings included, white colour, including mounting material. Version for shower tray 800 x 800 mm

Dimensions 832 x 680 x 832 mm (W x H x D)

MEDC0014 3600003784

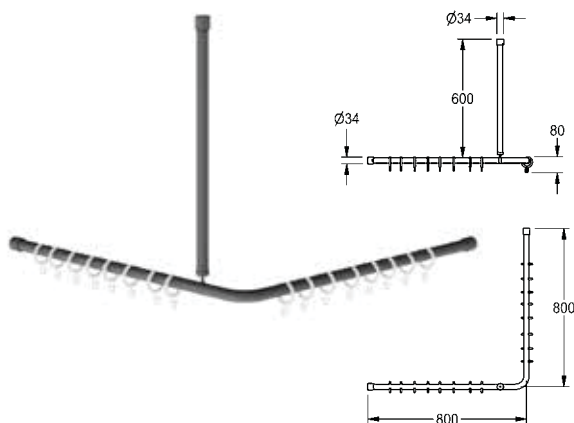
Version for shower tray 1500 x 1500 mm

MEDC0015 3600003785

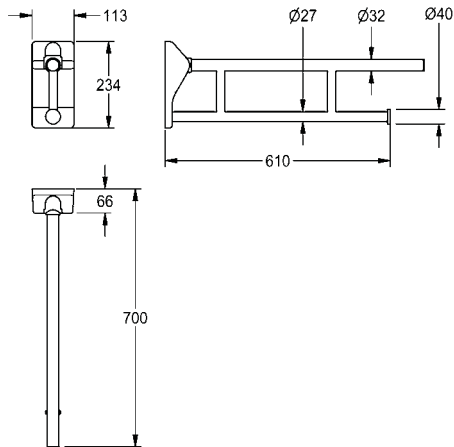
Optional accessories

MEDCARE joint for curtain rod

ZMEDC0001 3600003786



KWC MEDCARE hinged grab rail



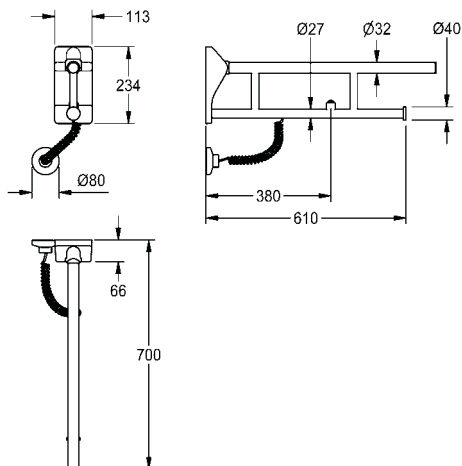
Type	Article Number
------	----------------

MEDCARE folding support rail with toilet roll holder

MEDCARE folding support rail with toilet roll holder for wall mounting, stainless steel, basalt grey coated surface, two parallel rail levels, top rail 32 mm, bottom rail 27 mm, material thickness 1.5 mm, plastic end caps, protection against accidental folding, stainless steel mounting plate with basalt grey polyamide cover, load capacity up to 150 kg, mounting material to be provided by client.

Dimensions 113 x 234 x 700 mm (W x H x D)

MEDC0009	3600003778
Length 850 mm	
MEDC0010	3600003780



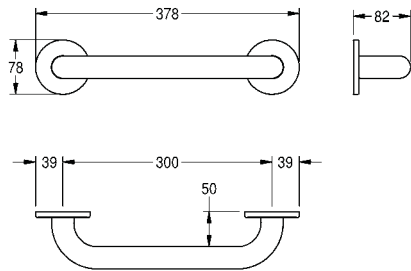
MEDCARE folding support rail with electronic flush actuation

MEDCARE folding support rail with electronic flush actuation, for wall mounting, stainless steel, basalt grey coated surface, two parallel rail levels, upper rail 32 mm, lower rail 27 mm, material thickness 1.5 mm, with plastic end caps and integrated toilet roll holder, protection against unintentional folding, stainless steel mounting plate with basalt grey polyamide cover, load capacity up to 150 kg, mounting material to be provided by client.

Dimensions 113 x 234 x 700 mm (W x H x D)

MEDC0011	3600003781
Length 850 mm	
MEDC0012	3600003782

KWC CONTINA grab rails



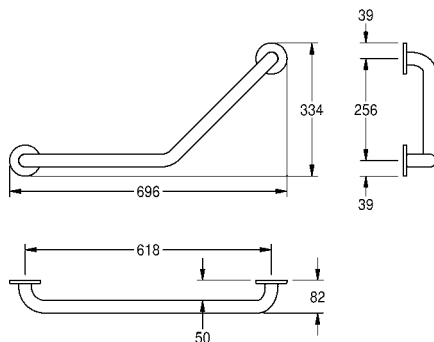
Type	Article Number
------	----------------

CONTINA grab rail

Grab rail for wall mounting, stainless steel, surface satin finished, rough polishing for better surface feel, 32 mm pipe diameter, material thickness 1.2 mm, wall distance 82 mm, with two stainless steel covers for hidden mounting, includes stainless steel screws and dowels.

Type 300 mm
Dimensions 378 x 78 x 82 mm (W x H x D)

CNTX300W	2030033995
450 mm version	
CNTX450W	2030033978
600 mm version	
CNTX600W	2030032985
750 mm version	
CNTX750W	2030033997
900 mm version	
CNTX900W	2030033990
1050 mm version	
CNTX1050W	2030034502
1100 mm version	
CNTX1100W	2030033994



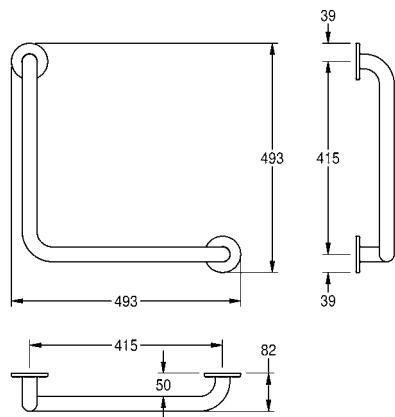
CONTINA 135° angled grab rail

Angle grab rail, 135° angle grab rail for wall mounting, stainless steel, surface satin finished, rough polishing for better surface feel, 32 mm pipe diameter, material thickness 1.2 mm, wall distance 82 mm, with two stainless steel covers for hidden mounting, includes stainless steel screws and dowels.

Dimensions 696 x 334 x 82 mm (W x H x D)

CNTX700WA	2030037502
------------------	------------

KWC CONTINA grab rails



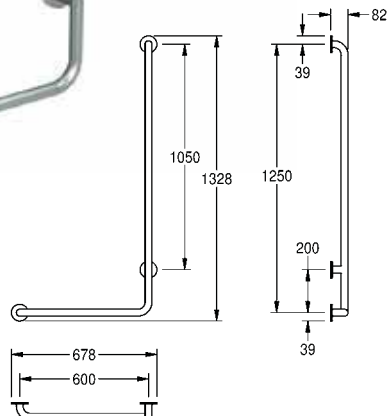
Type	Article Number
------	----------------

CONTINA 90° angled grab rail

90° angle grab rail for wall mounting, stainless steel, surface satin finished, rough polishing for better surface feel, 32 mm pipe diameter, material thickness 1.2 mm, wall distance 82 mm, with two stainless steel covers for hidden mounting, includes stainless steel screws and dowels.

Dimensions 493 x 493 x 82 mm (W x H x D)

CNTX21W	2030038226
----------------	------------



CONTINA 90° angled grab rail, left-hand version

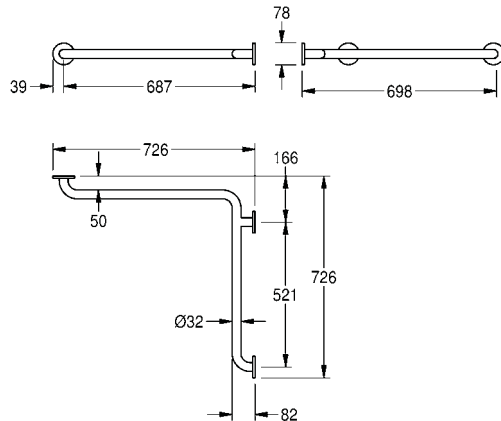
90° angle grab rail for wall mounting, stainless steel, surface satin finished, rough polishing for better surface feel, 32 mm pipe diameter, material thickness 1.2 mm, wall distance 82 mm, with three stainless steel covers for hidden mounting, includes stainless steel screws and dowels.

Type left

Dimensions 678 x 1328 x 82 mm (W x H x D)

CNTX20WL	2030038220
Right-hand version, dimension 678 x 1328 x 82 mm (W x H x D)	
CNTX20WR	2030038221
Left-hand version, dimensions 493 x 828 x 82 mm (W x H x D)	
CNTX22WL	2030038223
Right-hand version, dimension 493 x 828 x 82 mm (W x H x D)	
CNTX22WR	2030038225

KWC CONTINA hand rails



Type	Article Number
------	----------------

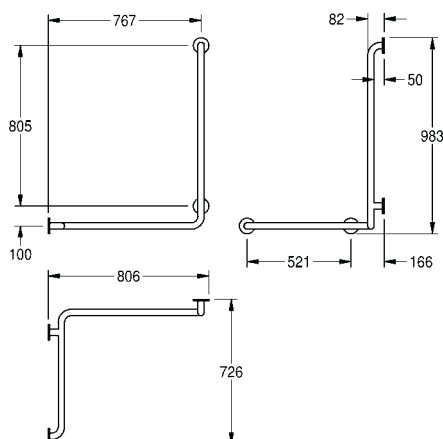
CONTINA handrail for corners

Horizontal corner bar for wall mounting, stainless steel, surface satin finished, rough polishing for better surface feel, 32 mm pipe diameter, material thickness 1.2 mm, wall distance 82 mm, with three stainless steel covers for hidden mounting, includes stainless steel screws and dowels.

Dimensions 726 x 78 x 726 mm (W x H x D)

CNTX52W	2030036235
----------------	------------

Accessible washroom equipment



CONTINA handrail for corners - left

90° angle two way bar for wall mounting, horizontal and vertical, stainless steel, surface satin finished, rough polishing for better surface feel, 32 mm pipe diameter, material thickness 1.2 mm, wall distance 82 mm, with four stainless steel covers for hidden mounting, includes stainless steel screws and dowels.

Type left

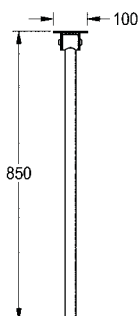
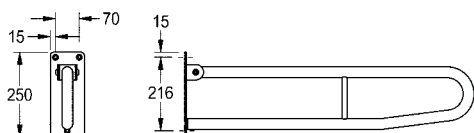
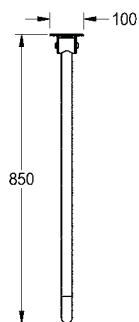
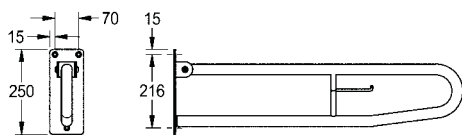
Dimensions 806 x 983 x 726 mm (W x H x D)

CNTX50WL	2030038227
-----------------	------------

Right-hand version

CNTX50WR	2030038228
-----------------	------------

KWC CONTINA hinged grab rails



Type

Article Number

CONTINA hinged grab rail

Foldable grab rail with toilet roll holder for wall mounting, stainless steel, surface satin finished, rough polishing for better surface feel, 32 mm pipe diameter, material thickness 1.2 mm, integrated toilet roll holder, prevention against unmeant folding, gum rubber stop absorber, 4 mm thick mounting plate with three fixing holes, includes stainless steel screws and dowels.

Dimensions 100 x 250 x 850 mm (W x H x D)

CNTX73A 2000103669

Lenght 700 mm

CNTX70C 2000057751

CONTINA hinged grab rail

Foldable grab rail without toilet roll holder for wall mounting, stainless steel, surface satin finished, rough polishing for better surface feel, 32 mm pipe diameter, material thickness 1.2 mm, prevention against unmeant folding, gum rubber stop absorber, 4 mm thick mounting plate with three fixing holes, includes stainless steel screws and dowels.

Dimensions 100 x 250 x 850 mm (W x H x D)

CNTX73B 2000103670

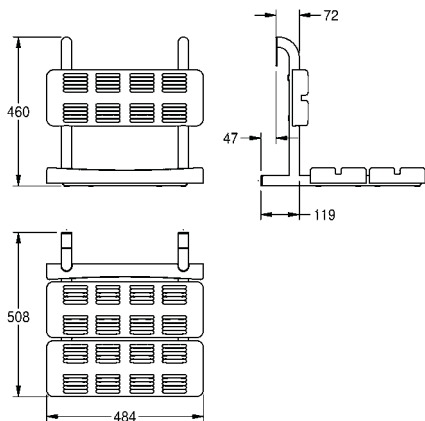
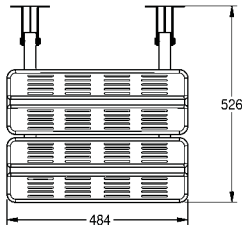
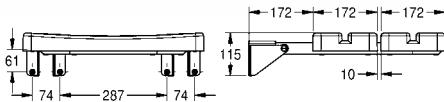
Lenght 600 mm

CNTX70E 2000057753

Lenght 700 mm

CNTX70D 2000057752

KWC CONTINA shower seats



Type	Article Number
------	----------------

CONTINA foldable shower seat

Foldable shower seat for wall mounting, stainless steel, surface satin finished, 32 mm pipe diameter, material thickness 1.2 mm, mounting through eight drilling holes, two prefixed white seat battens made of polyethylene, includes stainless steel screws and dowels.

Dimensions 484 x 115 x 526 mm (W x H x D)

CNTX400A 2000057738

CONTINA shower seat

CONTINA hanging shower seat, stainless steel main frame, seating and backrest are white battens made from polyethylene, recommended to hang on a contina grab rail, with anti theft device to secure the seat on the rail.

Dimensions 484 x 460 x 508 mm (W x H x D)

CNTX400WB 2030041144

KWC CONTINA shower head holder, shelf, mirrors

Type _____ **Article Number** _____

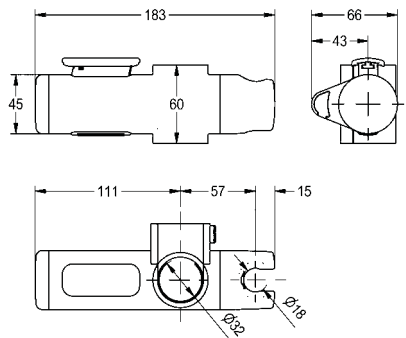


CONTINA shower head holder

Showerhead holder to be mounted on grab rails with 32 mm diameter, chrome-plated ABS plastic, suitable for retrofit installation.

Dimensions 183 x 65 x 66 mm (W x H x D)

CNTX268 2030038268

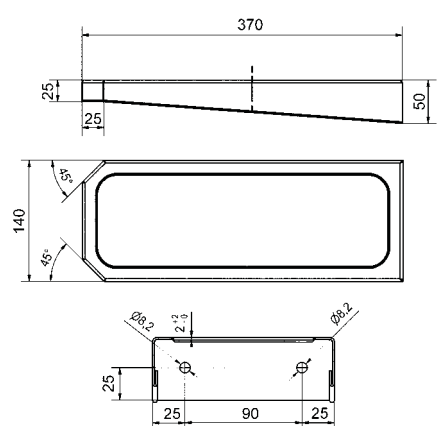


CONTINA shelf

Shelf for wall mounting, made of 304 chrome-nickel steel, satin finished surface, material thickness 1.5 mm, without mounting material.

Dimensions 140 x 370 x 50 mm (W x H x D)

CNTX007 2030021878



KWC CONTINA shower head holder, shelf, mirrors

Type	Article Number
------	----------------

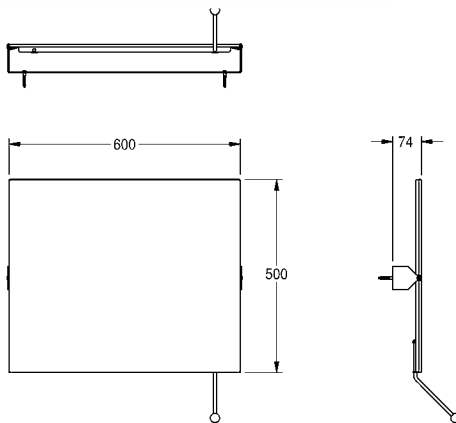


CONTINA swingable mirror

Swingable mirror for wall mounting, mirror and brackets stainless steel, mirror with a reflective polished surface, brackets surface satin finished, material thickness mirror 8 mm, material thickness brackets 4 mm, reinforced with polystyrene plate and hidden fixings, reinforced 1.5 mm stainless steel bracket on backside, swingable due to premounted lever, lever can be mounted right or left, includes stainless steel screws and dowels.

Dimensions 600 x 500 x 74 mm (W x H x D)

CNTX91	2000057509
---------------	------------

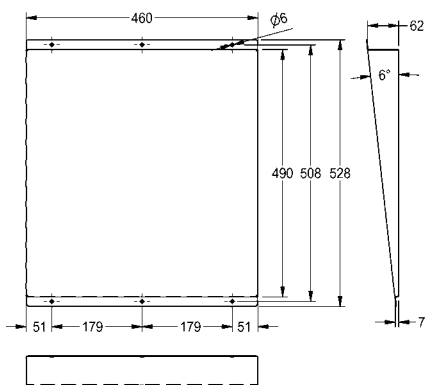


HEAVY-DUTY mirror

Stainless steel mirror for wall mounting, mirror with a reflective polished surface, material thickness 1 mm, mirror surface tilted towards user, six visible fixation points, includes stainless steel screws and dowels.

Dimensions 460 x 528 x 62 mm (W x H x D)

M501HD	2000103195
---------------	------------





High-security range

Safety issues are of prime importance for the furnishing of car park toilet facilities, in state prisons or at similar institutions.

Only special, easy to clean sanitary fittings made of sturdy materials with intelligent, touch-free water controls developed especially for these applications, can ensure reliability and hygiene.

High-security range

Washbasin taps for rear panel mounting and wall mounting	336
Wall outlet for in-wall washbasin taps	339
HEAVY-DUTY, ANIMA washbasins	340
ALL-IN-ONE washbasin units	342
Shower taps for rear panel mounting	344
Shower taps for in-wall installation	345
Shower panels, shower heads	347
Flush valves for rear panel mounting	352
Flush valves for in-wall installation	353
WC control units for concealed cisterns	354
HEAVY-DUTY WC pans	355
HEAVY-DUTY WC squat pan, urinal	357
HEAVY-DUTY WC washbasin combinations	358
HEAVY-DUTY accessories	362

KWC Washbasin taps wall mounting

Type **Article Number**



F5S-Mix self-closing wall-mounted mixer for rear panel mounting

F5S-Mix self-closing wall-mounted mixer DN 15 as single mixer with angled outlet, for sanitary facilities, for concealed mounting. Especially suitable for facilities at risk of vandalism. FRAMIC self-closing mixer cartridge, hydraulically controlled, low-maintenance and stagnation-free, with ceramic disc technology, self-closing, flow pressure-independent due to medium separated design. Stepless adjustment of flow duration. With adjustable and turn-proof temperature stop with backflow preventers and strainers. For connection to hot and cold water. All-metal construction, polished, chromium-plated brass. Anti-theft aerator with integrated flow regulator 6.0 l/min. Connecting flange with overlapping wall bushings for wall thicknesses from 50 to 240 mm.

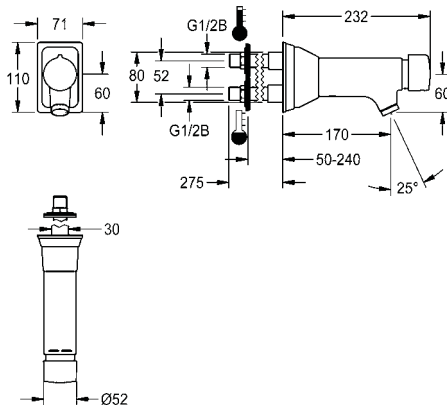
Other wall thicknesses on request.

F5SM1012 2030071618

Optional accessories

Outlet extension

AQRM909 2000101463



F3S Self-closing bib tap

F3S self-closing bib tap DN 15 with anti-twist protection for sanitary facilities. Especially suitable for facilities at risk of vandalism. Self-closing cartridge, hydraulically controlled, self-closing, adjustable flow duration and anti-blocking system 2 (ABS2) for safety switch-off in case of continuous operation. For connection to pre-mixed hot water or cold water. Rosette diameter 90 mm for visible front mounting, with anti-twist protection for bib tap and mounting material. All-metal construction, polished, chromium-plated brass. Anti-theft aerator with integrated flow regulator 6.0 l/min.

F3SV1011 2030072636

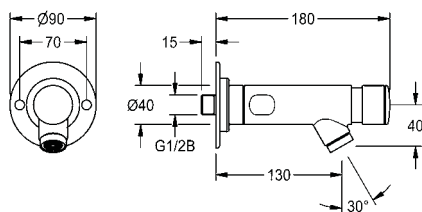
Optional accessories

Extension adapter, stackable (30 mm)

ZAQUA002 2000101433

Outlet extension

AQRM909 2000101463



KWC Washbasin taps for rear panel mounting

Type Article Number



F5E - A3000 open electronic washbasin tap for rear panel mounting

F5E - A3000 open washbasin mixer DN 15 for concealed mounting. Especially suitable for facilities at risk of vandalism. Electronically controlled, for connection to pre-mixed hot water or cold water. With waterproof electronic module and electric T-junction for connection to system cable, solenoid valve, 190 x 245 x 2 mm stainless steel cover plate for invisible mounting via threaded rods, up to a wall thickness of 50 to 500 mm, including piezo push-button with start/stop function and 2 m extension cable as well as recess for KWC wall outlet DN 15 (required separately). Connection and maintenance via service room. Activated hygiene flushing 24 hours after the last activity. With facility for parameterization, cleaning deactivation and communication via ECC2 function controller, 24 V DC.

Wall outlet must be ordered separately.

F5EV1016 2030067882

Mandatory accessories (optionally)

Wall outlet for in-wall washbasin taps

ACXX1008 2030071655

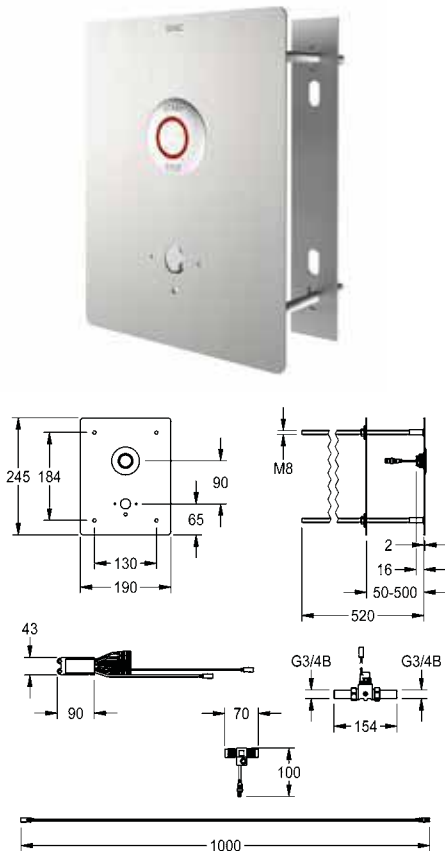
Wall outlet for in-wall washbasin taps

ACXX1009 2030071654

Wall outlet for in-wall washbasin taps

ACXX1010 2030071663

AQUA 3000 open system accessories, see "AQUA 3000 open" section



F3S self-closing washbasin tap for rear panel mounting

F3S self-closing straight-way valve DN 15 for sanitary facilities, with remote control for concealed mounting. Especially suitable for facilities at risk of vandalism. Self-closing head part, hydraulically controlled for remote control, piston-free design, self-closing, for connection to pre-mixed hot water or cold water. All-metal construction, visible parts polished chromium-plated. Stainless steel cover plate 190 x 245 x 2 mm for invisible mounting via threaded rods up to a wall thickness of 50 to 500 mm, with recess for KWC wall outlet DN 15 (required separately), pre-mounted push-button actuation. Flush-mounted box, hydraulic control lines with empty conduit (2 m) and mounting material. Connection and maintenance via service room

Wall outlet must be ordered separately.

F3SV1009 2030067876

Mandatory accessories (optionally)

Wall outlet for in-wall washbasin taps

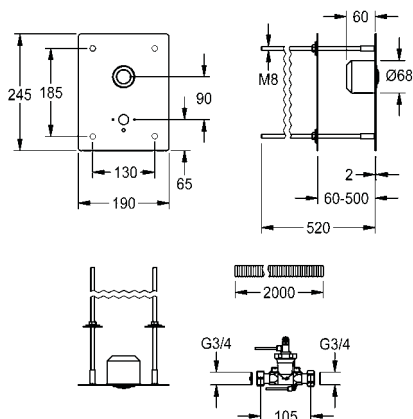
ACXX1008 2030071655

Wall outlet for in-wall washbasin taps

ACXX1009 2030071654

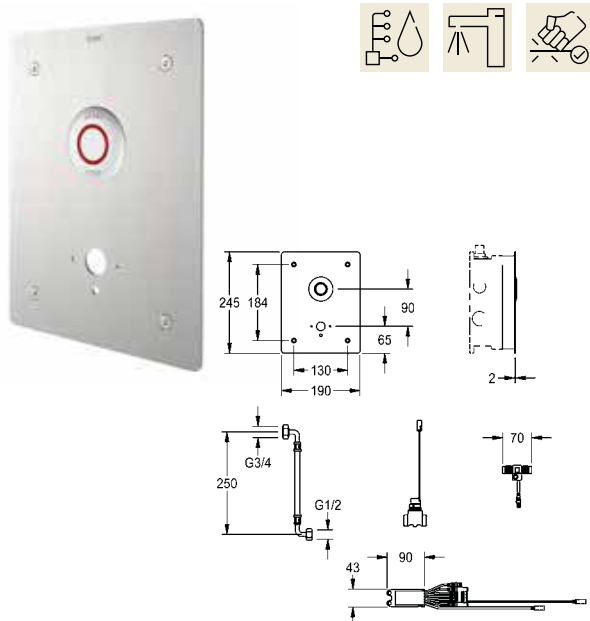
Wall outlet for in-wall washbasin taps

ACXX1010 2030071663



KWC Washbasin taps for in-wall installation

Type Article Number



F5E - A3000 open electronic washbasin tap for in-wall installation

F5E - A3000 open washbasin tap DN 15 as finished installation kit for in-wall installation in the basic installation kit, for sanitary facilities. Especially suitable for facilities at risk of vandalism. Electronically controlled, for connection to pre-mixed hot water or cold water. With waterproof electronic module and electric T-junction for connection to system cable, solenoid valve, stainless steel cover plate 190 x 245 x 2 mm, mounting from the front with safety screws, including piezo push-button with start/stop function and recess for KWC wall outlet DN 15 (required separately). Depth adjustability 20 mm. Activated hygiene flushing 24 hours after the last activity. With facility for parameterization, cleaning deactivation and communication via ECC2 function controller, 24 V DC.

Wall outlet must be ordered separately.

F5EV1017 2030067880

Mandatory accessories (wall outlets optionally)

R3 system box for in-wall taps

F3BV1001 2030036142

Wall outlet for in-wall washbasin taps

ACXX1008 2030071655

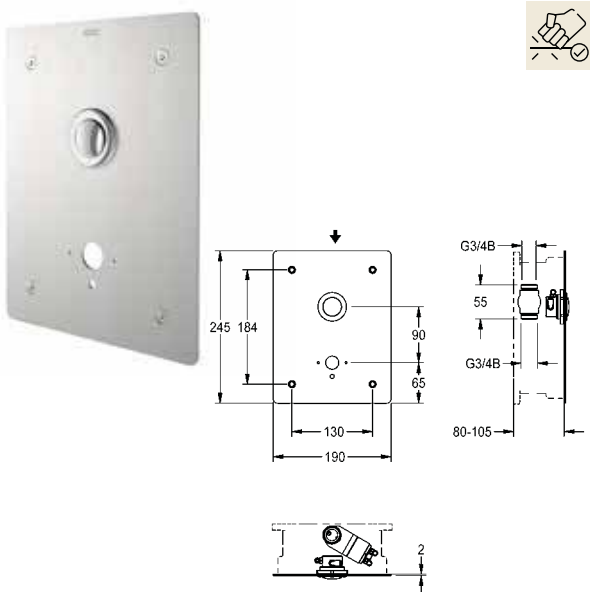
Wall outlet for in-wall washbasin taps

ACXX1009 2030071654

Wall outlet for in-wall washbasin taps

ACXX1010 2030071663

AQUA 3000 open system accessories, see "AQUA 3000 open" section



F3S self-closing washbasin tap for in-wall installation

F3S self-closing straight-way valve DN 15 as finished installation kit for in-wall installation in basic installation kit, for sanitary facilities. Especially suitable for facilities at risk of vandalism. Self-closing head part, hydraulically controlled for remote control, piston-free design, self-closing and for connection to pre-mixed hot water or cold water. All-metal construction, visible parts polished chromium-plated. Stainless steel cover plate 190 x 245 x 2 mm, mounting from the front with safety screws, with recess for necessary KWC wall outlet DN 15, pre-mounted push-button actuation. Hydraulic control lines, connecting hose to the straight-way valve and mounting material. Depth adjustability 25 mm.

Wall outlet must be ordered separately.

F3SV1010 2030067885

Mandatory accessories (wall outlets optionally)

R3 system box for in-wall taps

F3BV1001 2030036142

Wall outlet for in-wall washbasin taps

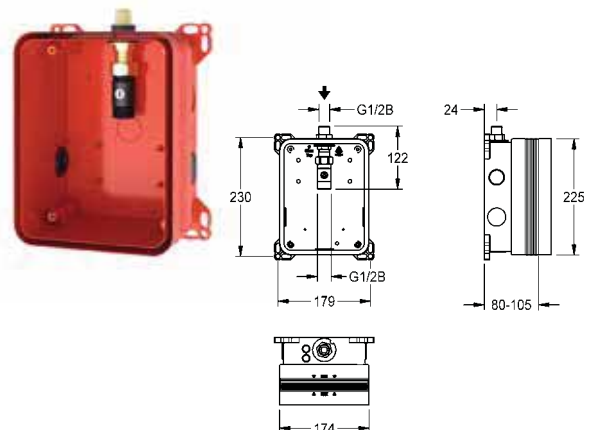
ACXX1008 2030071655

Wall outlet for in-wall washbasin taps

ACXX1009 2030071654

Wall outlet for in-wall washbasin taps

ACXX1010 2030071663



R3 system box for in-wall taps

R3 basic installation kit for in-wall mounting of finished installation kits DN 15 without mixing unit, for sanitary facilities. For connection to pre-mixed hot water or cold water. KWC system box made of plastic, 174 x 225 mm, with connection screws, shell protection, flush connector for flushing, and leak test.

F3BV1001 2030036142

Optional accessories

Sliding adhesive flange

ACBX9002 2030041606

Mounting traverse, depth adjustable, for installing KWC fittings with flush-mounting cabinets in drywall, packaging unit: 2 pieces

ZCMPX006 2000106019

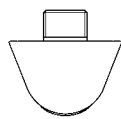
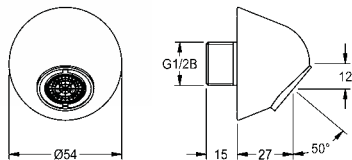
KWC Wall outlet for in-wall washbasin taps

Type	Article Number
------	----------------

Wall outlet for in-wall washbasin taps

Wall outlet DN 15 for mounting on in-wall washbasin taps. Especially suitable for facilities at risk of vandalism. Suicide-proof housing with anti-twist protection, anti-theft aerator with integrated flow regulator 3.8 l/min, tilt angle 50°, projection 27 mm. Polished chromium-plated brass with mounting material.

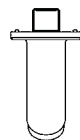
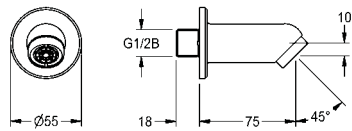
ACXX1009	2030071654
-----------------	------------



Wall outlet for in-wall washbasin taps

Wall outlet DN 15 for mounting on in-wall washbasin taps. Especially suitable for facilities at risk of vandalism. With anti-twist protection, rosette, anti-theft aerator with integrated flow regulator 6.0 l/min, tilt angle 45°, projection 75 mm. Polished chromium-plated brass with mounting material.

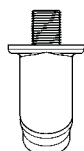
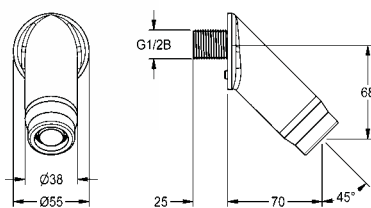
ACXX1008	2030071655
-----------------	------------



Wall outlet for in-wall washbasin taps

Wall outlet DN 15 for mounting on in-wall washbasin taps. Especially suitable for facilities at risk of vandalism. Suicide-proof housing with anti-twist protection, moulded rosette, anti-theft aerator with integrated flow regulator 5.7 l/min, SLIM design, tilt angle 45°, projection 69 mm, brushed stainless steel with mounting material.

ACXX1010	2030071663
-----------------	------------



KWC HEAVY-DUTY washbasins

Type Article Number

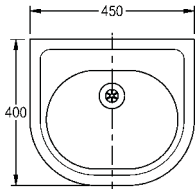
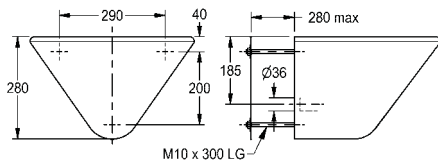


HEAVY-DUTY single washbasin

Single wash basin for wall mounting, stainless steel, surface satin finished, material thickness 1.2 mm, with 3 threaded rods for mounting through the wall via a service room, seamless welded bowl, 40 mm tap ledge, without taphole, without overflow, 1 1/4" flat perforated waste, includes hidden mounted siphon DN 32.

Dimensions 450 x 280 x 400 mm (W x H x D)

HDTX450 2000100349

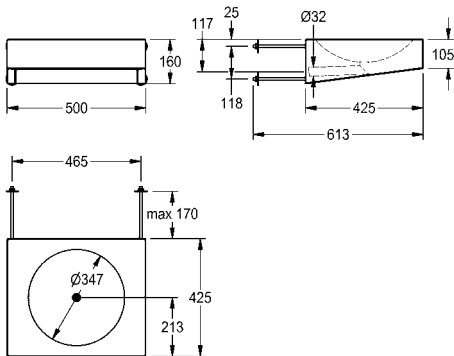


HEAVY-DUTY single washbasin

Wash basin for disabled for wall mounting, hidden mounting with stainless steel rods through wall, fixing and service via maintenance room, stainless steel, surface satin finished, material thickness 1.2 mm, seamless welded round bowl with diameter 347 mm, without tap ledge, without overflow, seamless welded waste with 32 mm drain pipe, drainage centric, for recessed trap mounting - trap not included, includes stainless steel rods and nuts.

Dimensions 500 x 105/160 x 425 mm (W x H x D)

HDTX455 2000100058



KWC ANIMA, HEAVY-DUTY washbasins

Type	Article Number
------	----------------

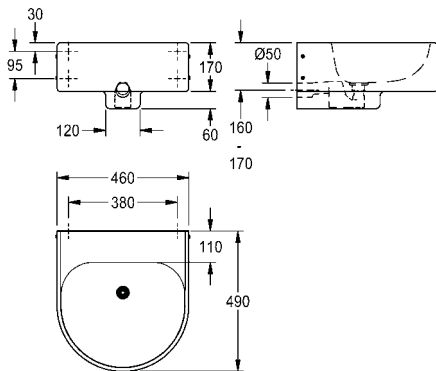


ANIMA single washbasin

Single wash basin for wall-mounting, made of stainless steel, surface satin finished, material thickness 1.2 mm. Seamless wash basin in one piece with rounded edges, tap landing without tap hole, strainer waste valve, DN 40/50 siphon included, without overflow. Mounting from the front, fixing material included. Wash basin suitable for areas exposed to vandalism and wheelchair users.

Dimensions of wash basin 460 x 170 x 490 mm (W x H x D)
 Dimensions of bowl 420 x 140 x 360 mm (W x H x D)

ANMX460	2000102710
Version without tap ledge, dimensions 460 x 170/230 x 410 mm	
ANMX462	2000102712

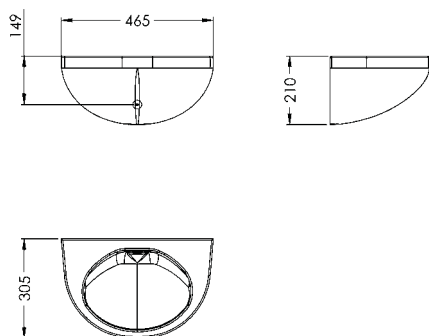


Hand washbasin

Wall mounted hand wash basin, manufactured with 8 mm thick reinforced fiberglass and impact-resistant plastic. Seamless design with a white (RAL 9016) easy-care gel coat surface. Anti-ligature and vandal resistant design, for use in high-security areas. Oval bowl without overflow or tap hole, with a DN 32 waste. Threaded M12 x 300 mm bolts for behind the wall mounted and siphon (not included) to be installed within a service room.

Dimensions 465 x 210 x 305 mm (W x H x D)
 Bowl dimensions 339 x 210 x 250 mm (W x H x D)

VR99-081	2030053464
-----------------	------------



KWC ALL-IN-ONE washbasin units

Type	Article Number
------	----------------



ALL-IN-ONE washbasin unit for water, soap

Washing unit for installation in the wall, vandal-resistant, particularly suitable for public toilet facilities in car parks and parking decks. Function components accessible via service room. Complete unit with housing, user area and bowl made of stainless steel, surface brushed, welded. Bowl projection 125 mm.

Dimensions 475 x 530 x 390 mm (W x H x D)
For the delivery of water and soap

ALIO330	2000101445
----------------	------------

Mandatory accessories

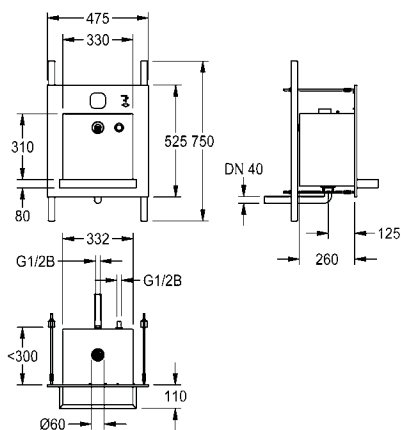
Soap tank for wall mounting in a utility room

ZAQUA083	2000101448
-----------------	------------

Electronic tap components for washbasin unit, for touch-free control of the water supply

AQUA121	2000101449
----------------	------------

AQUA 3000 open system accessories, see "AQUA 3000 open" section



ALL-IN-ONE washbasin unit, barrier-free, for water, soap

Washing unit for installation in the wall, barrier-free version, vandal-resistant, particularly suitable for public toilet facilities in car parks and parking decks. Function components accessible via service room. Complete unit with housing, user area and bowl made of stainless steel, surface brushed, welded. Bowl projection 310 mm.

For the delivery of water and soap
Dimensions 475 x 530 x 470 mm (W x H x D)

ALIO335	2000101447
----------------	------------

Mandatory accessories

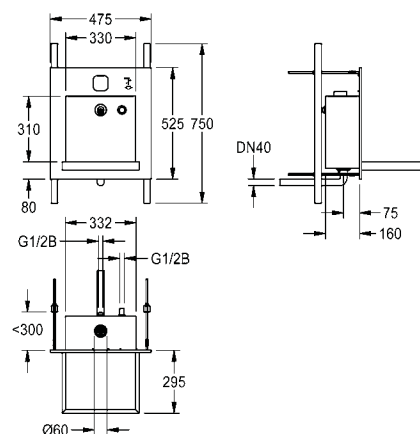
Soap tank for wall mounting in a utility room

ZAQUA083	2000101448
-----------------	------------

Electronic tap components for washbasin unit, for touch-free control of the water supply

AQUA121	2000101449
----------------	------------

AQUA 3000 open system accessories, see "AQUA 3000 open" section



KWC ALL-IN-ONE washbasin units

Type	Article Number
------	----------------



ALL-IN-ONE washbasin unit for water, soap, air

Washing unit for installation in the wall, vandal-resistant, particularly suitable for public toilet facilities in car parks and parking decks. Function components accessible via service room. Complete unit with housing, user area and bowl made of stainless steel, surface brushed, welded.

Dimensions 475 x 530 x 390 mm (W x H x D)

Bowl projection 125 mm

For the delivery of water and soap with sequence control for hand dryer

ALIO320 2000101444

Mandatory accessories

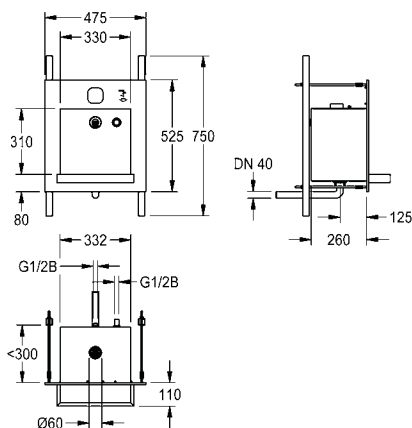
Electronic fitting components

PWC3O0002 2030048572

Soap tank for wall mounting in a utility room

ZAQUA083 2000101448

AQUA 3000 open system accessories, see "AQUA 3000 open" section



ALL-IN-ONE washbasin unit, barrier-free, for water, soap, air

Washing unit for installation in the wall, barrier-free version, vandal-resistant, particularly suitable for public toilet facilities in car parks and parking decks. Function components accessible via service room. Complete unit with housing, user area and bowl made of stainless steel, surface brushed, welded. Bowl projection 310 mm.

Dimensions 475 x 530 x 470 mm (W x H x D)

For the delivery of water and soap with sequence control for hand dryer

ALIO325 2000101446

Mandatory accessories

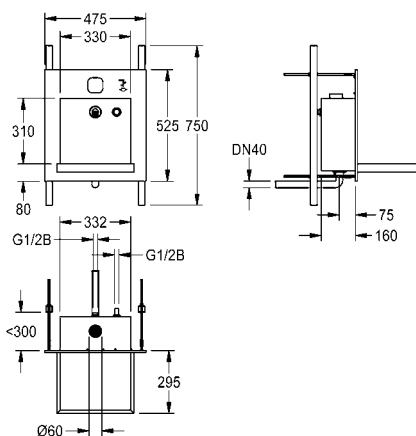
Electronic fitting components

PWC3O0002 2030048572

Soap tank for wall mounting in a utility room

ZAQUA083 2000101448

AQUA 3000 open system accessories, see "AQUA 3000 open" section



KWC Shower taps for rear panel mounting

Type Article Number



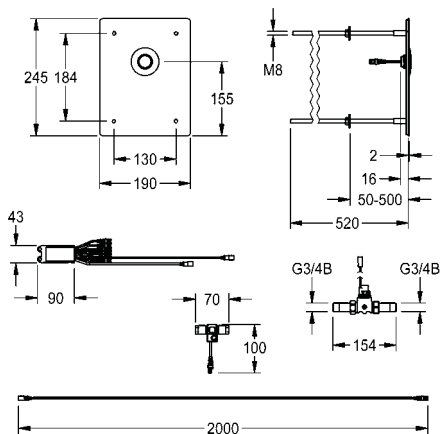
F5E - A3000 open electronic shower fitting for rear panel mounting

F5E - A3000 open straight-way valve DN 15 for shower facilities, for concealed mounting. Especially suitable for facilities at risk of vandalism. Electronically controlled, for connection to pre-mixed hot water or cold water. With waterproof electronic module and electric T-junction for connection to system cable, solenoid valve, 190 x 245 x 2 mm stainless steel cover plate for invisible mounting via threaded rods, up to a wall thickness of 50 to 500 mm, including piezo push-button with start/stop function and 2 m extension cable. Connection and maintenance via service room. Activated hygiene flushing 24 hours after the last activity. With facility for parameterization, cleaning deactivation and communication via ECC2 function controller, 24 V DC.

F5EV2006 2030068173

Mandatory accessories

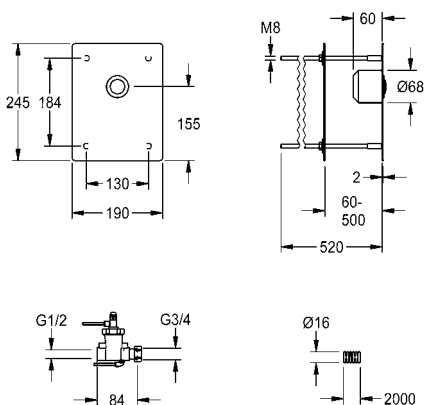
AQUA 3000 open system accessories, see "AQUA 3000 open" section



F3S self-closing shower fitting for rear panel mounting

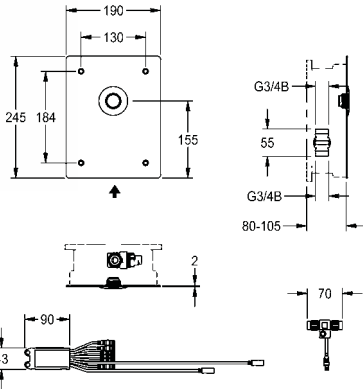
F3S self-closing straight-way valve DN 15 for shower facilities, with remote control for concealed mounting. Especially suitable for facilities at risk of vandalism. Self-closing head part, hydraulically controlled for remote control, piston-free design, self-closing, for connection to pre-mixed hot water or cold water. All-metal construction, visible parts polished chromium-plated. Stainless steel cover plate 190 x 245 x 2 mm for invisible mounting via threaded rods, up to a wall thickness of 50 to 500 mm, pre-assembled push-button operation. Flush-mounted box, hydraulic control lines with empty conduit (2 m) and mounting material. Connection and maintenance via service room.

F3SV2010 2030068165



KWC Shower taps for in-wall installation

Type Article Number



F5E - A3000 open electronic shower fitting for in-wall installation

F5E - A3000 open straight-way valve DN 15 as finished installation kit for in-wall installation in basic installation kit, for shower facilities. Especially suitable for facilities at risk of vandalism. Electronically controlled, for connection to pre-mixed hot water or cold water. With waterproof electronic module and electric T-junction for connection to system cable, solenoid valve, stainless steel cover plate 190 x 245 x 2 mm, mounting from the front with safety screws, including piezo push-button with start/stop function. Depth adjustability 25 mm. Activated hygiene flushing 24 hours after the last activity. With facility for parameterization, cleaning deactivation and communication via ECC2 function controller, 24 V DC.

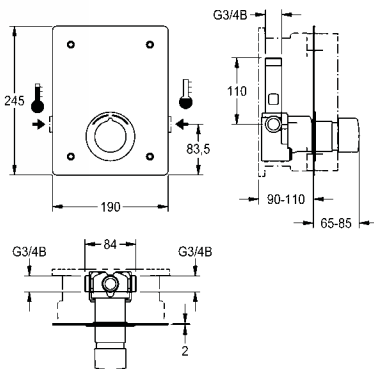
F5EV2007 2030068174

Mandatory accessories

R5 system box for in-wall valves

F5BV2002 2030055925

AQUA 3000 open system accessories, see "AQUA 3000 open" section



F5S-Mix self-closing shower mixer for in-wall installation

F5S-Mix self-closing single mixer DN 15 as finished installation kit for in-wall installation in basic installation kit, for shower facilities. Especially suitable for facilities at risk of vandalism. FRAMIC self-closing mixer cartridge, hydraulically controlled, low-maintenance and stagnation-free, with ceramic disc technology, self-closing, flow pressure-independent due to medium separated design. Stepless adjustment of flow duration. With adjustable, turn-proof temperature stop. For connection to hot and cold water. All-metal construction, visible parts polished chromium-plated. Stainless steel cover plate 190 x 245 x 2 mm. Mounting from the front with safety screws, chromium-plated rosette, backflow preventer and strainers. Depth adjustability 20 mm.

F5SM2013 2030072468

Mandatory accessories

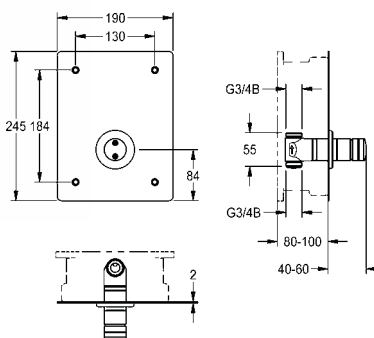
R5 system box for in-wall mixer

F5BX2001 2030028990

Optional accessories

Extension set for 25 mm depth compensation

ACSM2001 2030044781



F3S self-closing shower fitting for in-wall installation

F3S self-closing straight-way valve DN 15 as finished installation kit for in-wall installation in basic installation kit, for shower facilities. Especially suitable for facilities at risk of vandalism. Self-closing functional part, hydraulically controlled, piston-free design, self-closing, continuously adjustable flow duration. For connection to pre-mixed hot water or cold water. Housing including shuttle valve seat, pressure cap with safety screws, visible parts, polished chromium-plated brass. Stainless steel cover plate 190 x 245 x 2 mm, mounting from the front with safety screws and rosette. Depth adjustability 20 mm.

F3SV2011 2030068215

Mandatory accessories

R5 system box for in-wall valves

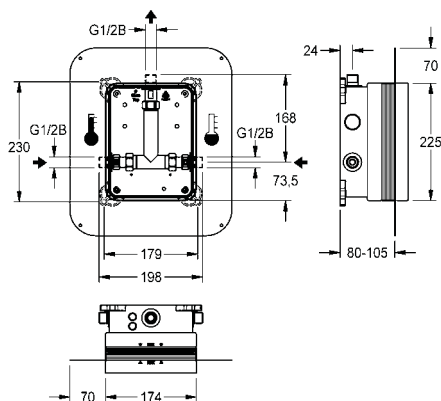
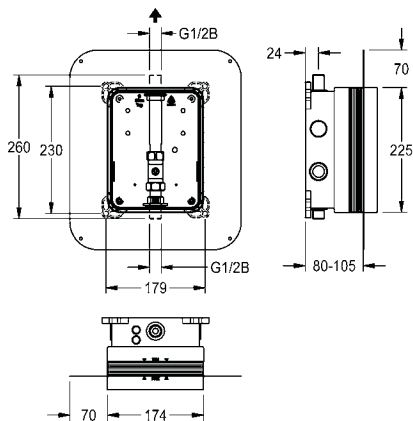
F5BV2002 2030055925

Optional accessories

Extension set for depth compensation until 33 mm

AQRM900 2000101451

KWC R5 system box



Type	Article Number
------	----------------



R5 system box for in-wall valves

R5 basic installation kit with sliding adhesive flange for in-wall mounting of finished installation kits DN 15, for shower facilities. For connection to pre-mixed hot water or cold water. KWC system box made of plastic, 174 x 225 mm, with lockable connection screw, shell protection, flush connector for flushing and leak test. Continuously-adjustable sliding adhesive flange with form-closed, flexible, 70 mm wide sealing collar. Sealing collar made of water-tight, permanently-elastic, alkali-resistant, and crack-bridging thermoplastic elastomer with polypropylene fleece for connecting to compound seals in dry and wet construction.

F5BV2002 2030055925

Optional accessories

Mounting traverse, depth adjustable, for installing KWC fittings with flush-mounting cabinets in drywall, packaging unit: 2 pieces

ZCMPX006 2000106019



R5 system box for in-wall mixer

R5 basic installation kit with sliding adhesive flange for in-wall mounting of finished installation kits DN 15 with mixing unit, for shower facilities. For connection to hot and cold water. KWC system box made of plastic, 174 x 225 mm, with lockable connection screws, shell protection, flush connector for flushing and leak test. Continuously-adjustable sliding adhesive flange with form-closed, flexible, 70 mm wide sealing collar. Sealing collar made of water-tight, permanently-elastic, alkali-resistant, and crack-bridging thermoplastic elastomer with polypropylene fleece for connecting to compound seals in dry and wet construction.

F5BX2001 2030028990

Optional accessories

Mounting traverse, depth adjustable, for installing KWC fittings with flush-mounting cabinets in drywall, packaging unit: 2 pieces

ZCMPX006 2000106019

KWC Shower panels for facilities at risk of vandalism

Type Article Number



F5S-Therm stainless steel shower panel

F5S-Therm shower panel made of stainless steel for wall mounting with self-closing thermostatic mixer DN 15 and connecting nozzles for shower head. Especially suitable for facilities at risk of vandalism. Hydraulically controlled, for connection from the rear to hot and cold water. Function block with integrated FRAMIC self-closing cartridge, thermostat and mechanism for a water hygiene unit for automatic hygiene flushing, program-controlled thermal disinfection (additional bypass solenoid-operated flush valve cartridge necessary) and storage of statistical data. FRAMIC self-closing cartridge, low maintenance and stagnation free, with ceramic disc technology, self-closing, flow pressure independent due to medium-independent design. Stepless adjustment of flow duration. Thermostat with metal handle, an adjustable and turn-proof temperature stop and an option for manual thermal disinfection, visible parts polished chromium-plated. Connecting nozzles for the required additional DN 15 KWC shower head with pre-fitted flow regulator 9.0 l/min. Housing made of stainless steel, single-piece enclosed, including safety screws. Connecting hoses with lockable water volume control with backflow preventer and strainer.

Housing dimensions 232 x 1160 x 90 mm (W x H x D)

Shower head must be ordered separately.

F5ST2043 2030068003

Mandatory accessories (optionally)

AQUAJET-Slimline shower head for F5 shower panels

SHAS0011 2030054255

AQUAJET-Comfort shower head for F5 shower panels

SHAC0011 2030054254

MÜNCHEN shower head for F5 shower panels

SHMU0011 2030054793

Optional accessories

Flow controller 6.0 l/min

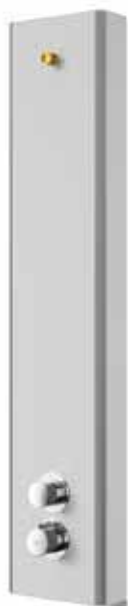
ESHHE0004 2030027586

Flow controller 12.0 l/min

ESHHE0002 2000104783

Hygiene unit for F5S Therm shower panel

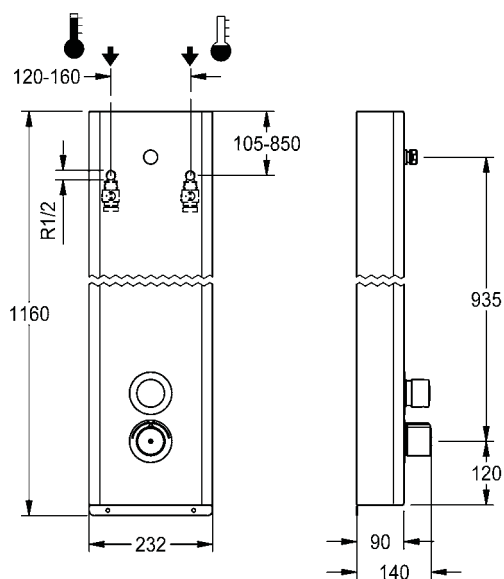
ACST2004 2030057064



SHAS0011

SHAC0011

SHMU0011



High-security range

KWC Shower panels for facilities at risk of vandalism

Type	Article Number
------	----------------



F5E - A3000 open stainless steel shower panel

F5E - A3000 open shower panel made of stainless steel for wall mounting with straight-way valve and connecting nozzles for shower head. Electronically controlled, for connection from the rear to pre-mixed hot or cold water. Connecting nozzles for the required additional DN 15 KWC shower head with pre-fitted flow regulator 9.0 l/min. Housing made of stainless steel, single-piece enclosed, including safety screws. With solenoid valve, piezo push-button with start/stop function, waterproof electronic module, electric T-junction for connection to system cable, connecting hose with lockable water flow regulator and strainer. Activated hygiene flushing 24 hours after the last activity. With facility for parameterization, cleaning deactivation and communication via ECC2 function controller, 24 V DC.

Dimensions of housing 232 x 1160 x 90 mm (W x H x D)

Shower head must be ordered separately.

F5EV2008	2030070434
-----------------	------------

Mandatory accessories (optionally)

AQUAJET-Slimline shower head for F5 shower panels

SHAS0011	2030054255
-----------------	------------

AQUAJET-Comfort shower head for F5 shower panels

SHAC0011	2030054254
-----------------	------------

MÜNCHEN shower head for F5 shower panels

SHMU0011	2030054793
-----------------	------------

AQUA 3000 open system accessories, see "AQUA 3000 open" section

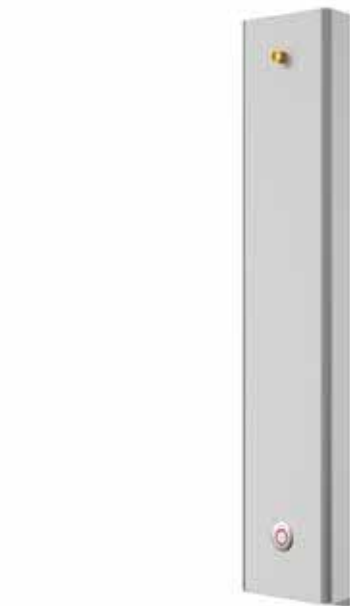
Optional accessories

Flow controller 6.0 l/min

ESHHE0004	2030027586
------------------	------------

Flow controller 12.0 l/min

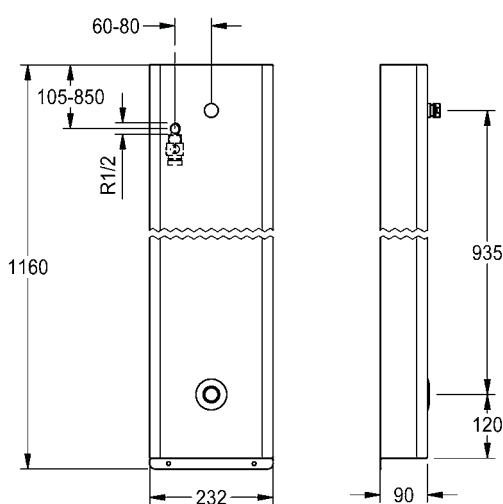
ESHHE0002	2000104783
------------------	------------



SHAS0011

SHAC0011

SHMU0011



KWC Shower panels for facilities at risk of vandalism

Type **Article Number**



F5E-Therm - A3000 open stainless steel shower panel

F5E-Therm - A3000 open shower panel made of stainless steel for wall mounting with thermostatic mixer and connecting nozzles for shower head. Hydraulically controlled, for connection from the rear to hot and cold water. Function block with integrated solenoid valve cartridge, thermostat and mechanism for optional bypass solenoid valve cartridge to perform program-controlled thermal disinfection. Thermostat with anti-theft metal handle, adjustable and turn-proof temperature stop and option for manual thermal disinfection. All-metal construction, visible parts polished chromium-plated. Connecting nozzles for the required additional DN 15 KWC shower head with pre-fitted flow regulator 9.0 l/min. Housing made of stainless steel, single-piece enclosed, including safety screws. Piezo push-button with start/stop function. With waterproof electronic module, electric T-junction for connection to system cable, connecting hoses with lockable water volume control with backflow preventer and strainer. Activated hygiene flushing 24 hours after the last activity. With facility for parameterization, cleaning deactivation and communication via ECC2 function controller, 24 V DC.

Dimensions of housing 232 x 1160 x 90 mm (W x H x D)

Shower head must be ordered separately.

F5ET2041 2030070431

Mandatory accessories (optionally)

AQUAJET-Slimline shower head for F5 shower panels

SHAS0011 2030054255

AQUAJET-Comfort shower head for F5 shower panels

SHAC0011 2030054254

MÜNCHEN shower head for F5 shower panels

SHMU0011 2030054793

AQUA 3000 open system accessories, see "AQUA 3000 open" section

Optional accessories

Flow controller 6.0 l/min

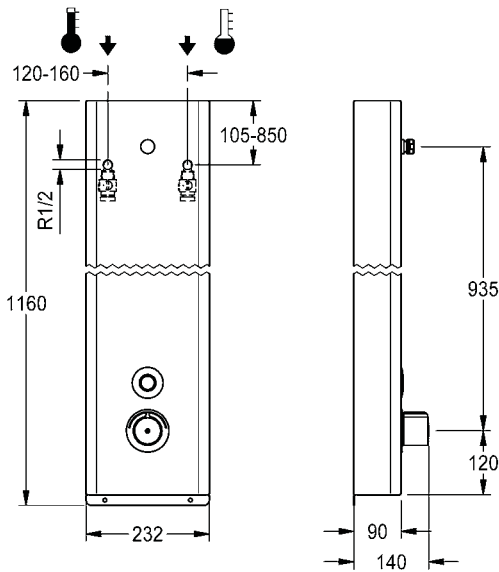
ESHHE0004 2030027586

Flow controller 12.0 l/min

ESHHE0002 2000104783

Set for thermal disinfection

ACXT2003 2030063990



High-security range

KWC Shower panels for facilities at risk of vandalism

Type	Article Number
------	----------------



F3S stainless steel shower panel

F3S shower panel made of stainless steel for wall mounting with DN 15 self-closing straight-way valve and connecting nozzles for shower head. Especially suitable for facilities at risk of vandalism. Hydraulically controlled, for connection from the rear to pre-mixed hot or cold water. Self-closing functional part, piston-free design, self-closing and stepless adjustment of flow duration. Valve housing including shuttle valve seat, visible parts polished chromium-plated. Connecting nozzles for the required additional DN 15 KWC shower head with pre-fitted flow regulator 9.0 l/min. Housing made of stainless steel, single-piece enclosed, including safety screws. Connecting hose with lockable water flow regulator and strainer.

Housing dimensions 232 x 1160 x 90 mm (W x H x D)

Shower head must be ordered separately.

F3SV2012	2030070435
-----------------	------------

Mandatory accessories (optionally)

AQUAJET-Slimline shower head for F5 shower panels

SHAS0011	2030054255
-----------------	------------

AQUAJET-Comfort shower head for F5 shower panels

SHAC0011	2030054254
-----------------	------------

MÜNCHEN shower head for F5 shower panels

SHMU0011	2030054793
-----------------	------------

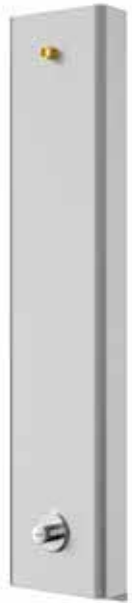
Optional accessories

Flow controller 6.0 l/min

ESHHE0004	2030027586
------------------	------------

Flow controller 12.0 l/min

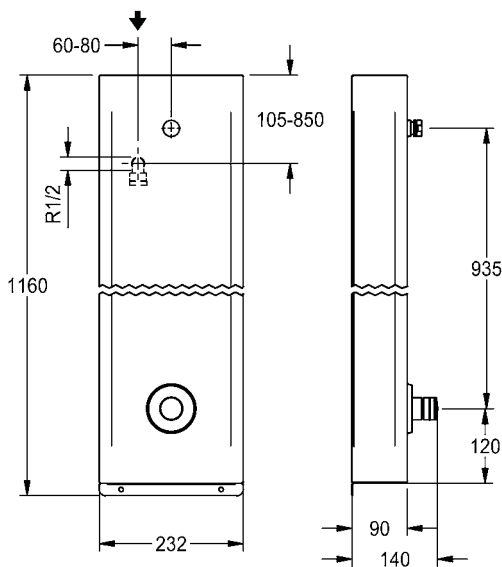
ESHHE0002	2000104783
------------------	------------



SHAS0011

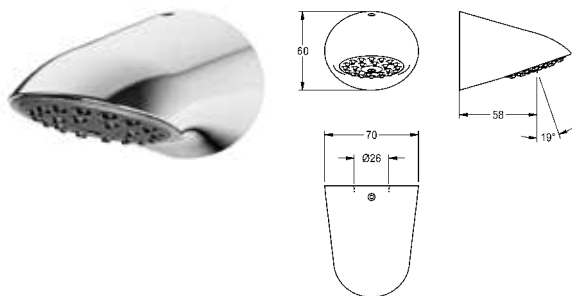
SHAC0011

SHMU0011



KWC Shower heads for shower panels, mounting plate

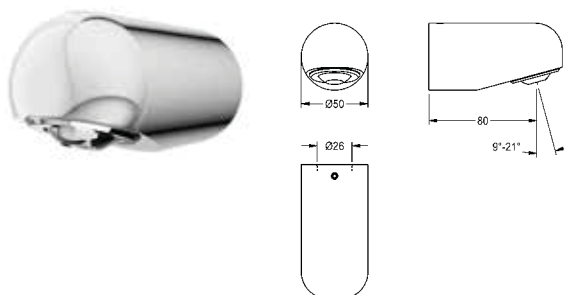
Type Article Number



AQUAJET-Slimline shower head for KWC shower panels and systems

AQUAJET-Slimline shower head with plastic jet face with anti-limescale system and low aerosol formation, for installation on KWC shower panels and shower systems with pre-mounted connecting nozzles DN 15, diameter 26 mm, polished chromium-plated brass.

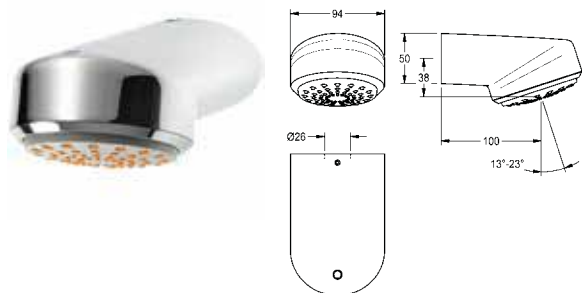
SHAS0011 2030054255



MÜNCHEN shower head for KWC shower panels and systems

MÜNCHEN shower head with continuously adjustable shower jet between 9° - 21°, for installation on KWC shower panels and shower systems with pre-mounted connecting nozzles DN 15, diameter 26 mm. polished chromium-plated brass housing.

SHMU0011 2030054793



AQUAJET-Comfort shower head for KWC shower panels and systems

AQUAJET-Comfort shower head with plastic jet face continuously adjustable between 13° - 23°, anti-limescale system and low aerosol formation. For installation on KWC shower panels and shower systems with pre-mounted connecting nozzles DN 15, diameter 26 mm, polished chromium-plated brass housing.

SHAC0011 2030054254



Mounting plate with connecting nozzle for shower head for rear panel mounting

Mounting plate with connecting nozzles for shower head DN 15 for concealed mounting. Especially suitable for facilities at risk of vandalism. Stainless steel plate 190 x 245 x 2 mm for invisible mounting via threaded rods, up to a wall thickness of 50 to 500 mm, with connecting nozzle with pre-fitted flow regulator 9.0 l/min for KWC shower head DN 15 (required separately).

Shower head must be ordered separately.

ACXX2023 2030068175

Mandatory accessories (optionally)

AQUAJET-Slimline shower head for F5 shower panels

SHAS0011 2030054255

AQUAJET-Comfort shower head for F5 shower panels

SHAC0011 2030054254

MÜNCHEN shower head for F5 shower panels

SHMU0011 2030054793

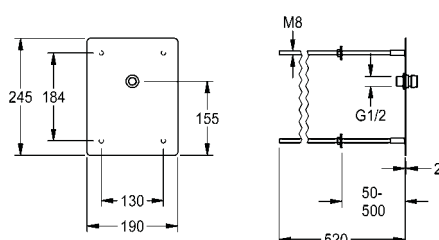
Optional accessories

Flow controller 6.0 l/min

ESHHE0004 2030027586

Flow controller 12.0 l/min

ESHHE0002 2000104783



KWC Flush valves for rear panel mounting

Type Article Number



F5E - A3000 open electronic WC flush valve for rear panel mounting

F5E - A3000 open WC flush valve for concealed mounting, electronically controlled. Especially suitable for facilities at risk of vandalism. With waterproof electronic module with additional input for sensors to be provided by the client, maximum distance to the electronic module 5 m, solenoid flush valve including enclosed throttle insert for reducing flush volume, waterproof electrical T-junction for connection to system cable, stainless steel cover plate 190 x 245 x 2 mm for invisible mounting via threaded rods, up to a wall thickness of 50 to 500 mm, including piezo push-button and 2 m extension cable. Activated hygiene flushing 24 hours after the last activity. With facility for parameterization, cleaning deactivation and communication via ECC2 function controller, 24 V DC.



F5EF4004 2030068198

Mandatory accessories

AQUA 3000 open system accessories, see "AQUA 3000 open" section

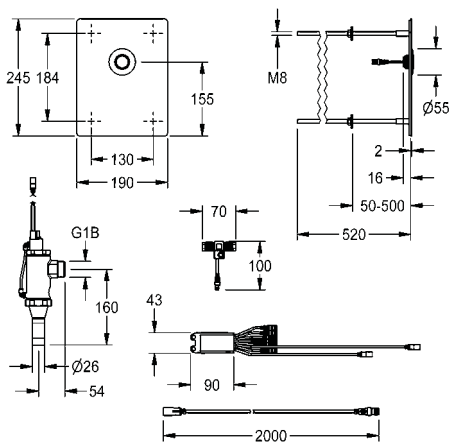
Optional accessories

Flushing pipe made of plastic, with bend for connection to WC flush valve, 28x1 x 700 x 250 mm

ACXF4002 2030068209

Plastic flush pipe extension 28x1 x 400 mm

ACXF4003 3600003801



F3S WC flushing valve for rear panel mounting

F3S WC flushing valve DN 20, for wall-mounted toilet bowls, fitting group 1, with remote control for concealed mounting. Especially suitable for facilities at risk of vandalism. Self-closing upper component for remote operation, hydraulically controlled, piston-free design, automatic and backlash-free closing. Automatic flush flow regulation and adjustable flush water volume. Flush valve complete with flush pipe connection and screw connection. All-metal construction, visible parts polished chromium-plated. Stainless steel cover plate 190 x 245 x 2 mm for invisible mounting via threaded rods, up to a wall thickness of 50 to 500 mm, pre-mounted push-button actuation, flush-mounted box. Hydraulic control lines and empty conduit (2 m) and mounting material. Connection and maintenance via service room.

F3SF4001 2030068191

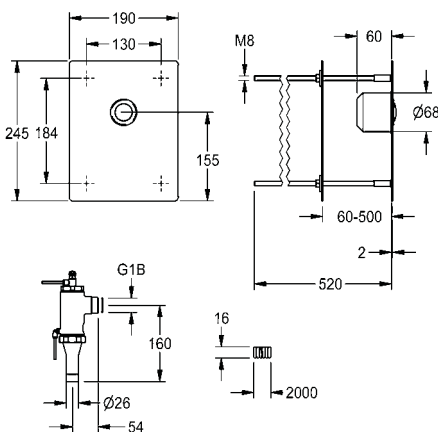
Optional accessories

Flushing pipe made of plastic, with bend for connection to WC flush valve, 28x1 x 700 x 250 mm

ACXF4002 2030068209

Plastic flush pipe extension 28x1 x 400 mm

ACXF4003 3600003801



KWC Flush valve for in-wall installation, R3 system box

Type Article Number



F5E - A3000 open electronic WC flush valve for in-wall installation

F5E - A3000 open WC flush valve DN 20 as finished installation kit for in-wall installation in basic installation kit, electronically controlled. Especially suitable for facilities at risk of vandalism. With waterproof electronic module with additional input for sensors to be provided by the client, maximum distance to the electronic module 5 m, solenoid flush valve including enclosed throttle insert for reducing flush volume, waterproof electric T-junction for connection to system cable, stainless steel cover plate 190 x 245 x 2 mm with ventilation holes, mounting from the front with safety screws, including piezo push-button. Activated hygiene flushing 24 hours after the last activity. With facility for parameterization, cleaning deactivation and communication via ECC2 function controller, 24 V DC.

F5EF4005 2030068203

Mandatory accessories (optionally)

R3 system box for WC flush valve

F3BF4001 2030068205

Installation frame for wall-mounted toilet bowls

AQFX0012 3600005980

Installation frame for barrier-free wall-mounted toilet bowls

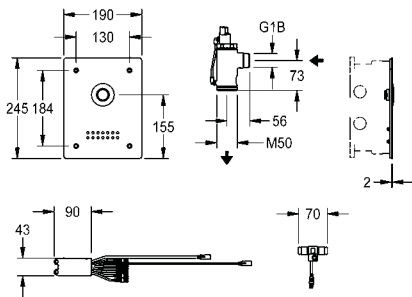
AQFX0013 3600005981

AQUA 3000 open system accessories, see "AQUA 3000 open" section

Optional accessories

Flushing pipe for in-wall installation, plastic flushing pipe with polystyrene jacket, inner width 45 mm

AQRM920 2000101466



F3S WC flush valve for in-wall installation

F3S WC flush valve DN 20 as a finished installation kit for in-wall installation in the basic installation kit, for wall-mounted toilet bowls, fitting group 1. Especially suitable for facilities at risk of vandalism. Self-closing upper component hydraulically controlled, piston-free design, automatic and backlash-free closing. Automatic flush flow regulation and adjustable flush water volume. All-metal construction, visible parts polished chromium-plated. Stainless steel cover plate 190 x 245 x 2 mm, mounting from the front with safety screws, pre-mounted push-button actuation. Hydraulic control lines and mounting material. Depth adjustability 20 mm.

F3SF4002 2030068201

Mandatory accessories (optionally)

R3 system box for WC flush valve

F3BF4001 2030068205

Installation frame for wall-mounted toilet bowls

AQFX0012 3600005980

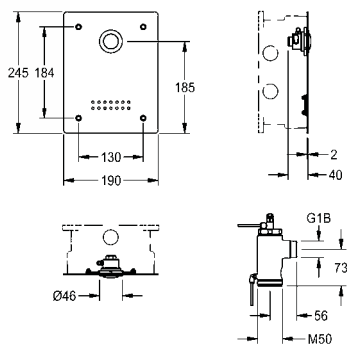
Installation frame for barrier-free wall-mounted toilet bowls

AQFX0013 3600005981

Optional accessories

Flushing pipe for in-wall installation, plastic flushing pipe with polystyrene jacket, inner width 45 mm

AQRM920 2000101466



R3 system box for WC flush valve

R3 Basic installation kit for in-wall installation of finished installation kits for WC flushing valve DN 20. System box made of plastic, 174 x 225 mm, with screw connections, flush pipe connection, shell protection, flush connector for flushing and leak test, no stop valve.

F3BF4001 2030068205

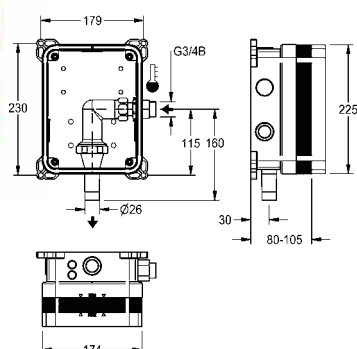
Optional accessories

Sliding adhesive flange

ACBX9002 2030041606

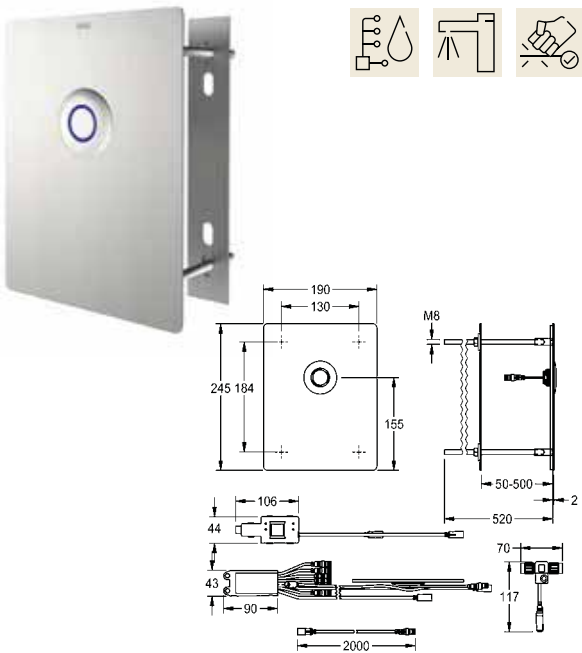
Mounting traverse, depth adjustable, for installing KWC fittings with flush-mounting cabinets in drywall, packaging unit: 2 pieces

ZCMPX006 2000106019



KWC WC control units for concealed cisterns

Type **Article Number**



F5E - A3000 open electronic WC control unit for concealed cisterns

F5E - A3000 open WC control unit for cistern for concealed mounting, electronically controlled. Especially suitable for facilities at risk of vandalism. With waterproof electronic module with additional input for sensors to be provided by the client, maximum distance to electronic module 5 m, servomotor unit, two waterproof electric T-junctions for connection to system cable, stainless steel cover plate 190 x 245 x 2 mm for invisible mounting via threaded rods, up to a wall thickness of 50 to 500 mm, including piezo push-button and 2 m extension cable. Connection and maintenance via service room. Activated hygiene flushing 24 hours after the last activity. With facility for parameterization, cleaning deactivation and communication via ECC2 function controller, 24 V DC.

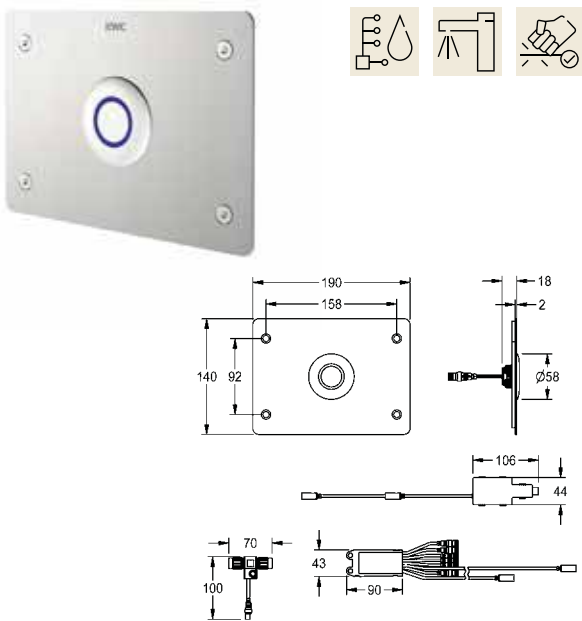
F5EF4003 2030068176

Mandatory accessories

WC cistern for rear mounting in the utility room

FLSY0003 2030066229

AQUA 3000 open system accessories, see "AQUA 3000 open" section



F5E - A3000 open electronic WC control unit for concealed cisterns

F5E - A3000 open WC control unit for concealed cistern, electronically controlled. Especially suitable for facilities at risk of vandalism. With waterproof electronic module with additional input for sensors to be provided by the client, maximum distance to electronic module 5 m, servomotor unit, two waterproof electric T-junctions for connection to system cable, stainless steel cover plate 190x 140 x 2 mm, mounting from front with safety screws, including piezo push-button. Activated hygiene flushing 24 hours after the last activity. With facility for parameterization, cleaning deactivation and communication via ECC2 function controller, 24 V DC.

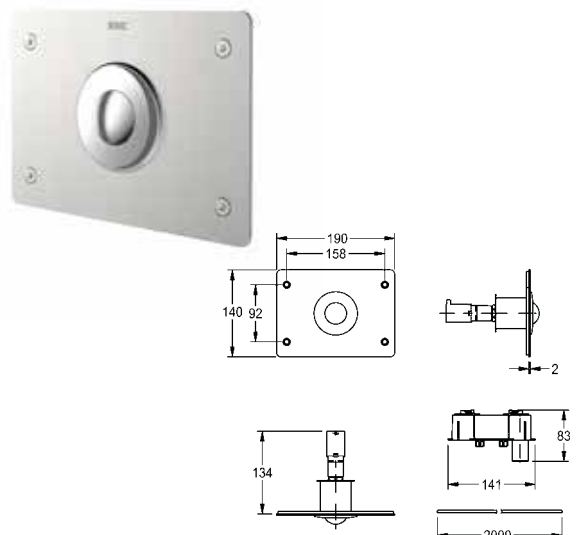
F5EF4006 2030068182

Mandatory accessories

AQUAFIX installation frame with cistern for WC systems, for facilities at risk of vandalism

AQFX0011 2030072936

AQUA 3000 open system accessories, see "AQUA 3000 open" section



Actuator plate for concealed cisterns

Stainless steel actuator plate for concealed cistern in the AQUAFIX installation frame. Especially suitable for facilities at risk of vandalism. Actuation button for single flush with start/stop, mounting from the front with safety screws.

Dimensions 190 x 140 x 2 mm (W x H x D)

ACSF4001 2030068181

Mandatory accessories

AQUAFIX installation frame with cistern for WC systems, for facilities at risk of vandalism

AQFX0011 2030072936

KWC HEAVY-DUTY WC pans

Type Article Number

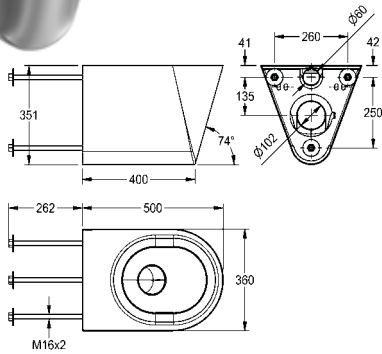


HEAVY-DUTY wall hung WC pan

Wall hung WC pan, hidden mounting with stainless steel rods through wall, fixing and service via maintenance room, stainless steel, surface satin finished, material thickness 1,5 mm, flushing certificated to EN 997, concealed flushing rim with min. 4 liter flushing capacity, with a shrouded 100 mm diameter horizontal ,P' trap outlet, pressed seat area tapered towards centre, all edges curved, fixing with 280 mm stainless steel rods and screw nuts (included) through the wall. 4 litre flush EN 997 approved.

Without seat and lid
Dimensions 360 x 351 x 500 mm (W x H x D)

HDTX592 2000100447

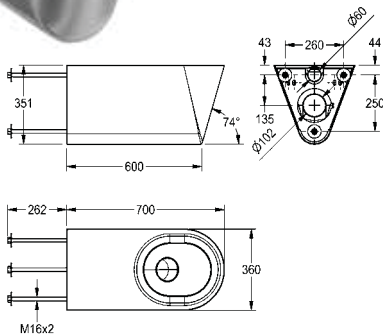


HEAVY-DUTY wall hung WC pan

Wall hung WC pan for disabled, hidden mounting with stainless steel rods through wall, fixing and service via maintenance room, stainless steel, surface satin finished, material thickness 1,5 mm, flushing certificated to EN 997, concealed flushing rim with min. 4 liter flushing capacity, with a shrouded 100 mm diameter horizontal ,P' trap outlet, pressed seat area tapered towards centre, all edges curved, fixing with 280 mm stainless steel rods and screw nuts (included) through the wall.

Dimensions 360 x 350 x 700 mm (B x H x T)

HDTX594 2000100444



High-security range

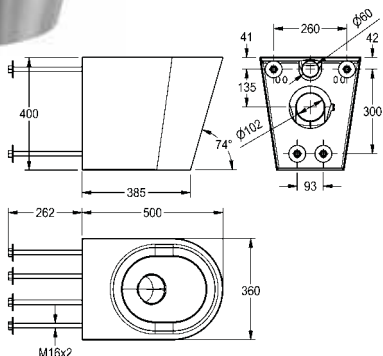


HEAVY-DUTY floor standing WC pan

Campus Wall hung WC pan for fitting through duct wall, manufactured from grade 1.4301 (304) stainless steel, material thickness 1,5 mm for the pan and shroud - satin polish finish. The WC incorporates a stainless steel P trap 102 mm o/d. A separate mounting plate and 4 bolts are provided for mounting the WC through a duct wall. The Campus WC has a pressed seating area that does not require a separate seat in vandal prone installations. However, a seat and lid can be fitted. Approval: Complies with BS EN 997 for 4,5 litre flushing. Also complies with the Australian and German test standards.

Without seat and lid
Dimensions 360 x 400 x 500 mm (W x H x D)

HDTX597 2000100729



KWC HEAVY-DUTY WC pans

Type	Article Number
------	----------------



Wall-mounted WC pan

Wall Hung WC Pan made of glass-fiber reinforced high impact resistant composite material and easily cleanable white colored (RAL 9016) gel-coated surface with blue colored (RAL 5011) seat surface. Seamless manufactured pan with a material thickness of 8 mm. With through-wall M12 x 300 mm stainless steel all-thread studding for vandalism resistant fixing and service via maintenance room. Flushing certificated according to EN 997 with minimum 4 litre flushing capacity. Concealed horizontal rear waste outlet (diameter 100 mm) and flush inlet (diamter 55 mm).

Dimensions 400 x 370 x 510 mm (W x H x D)

VR99-036	2030039327
-----------------	------------

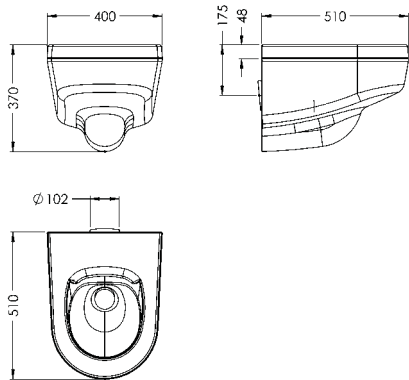
Seat in white colour

VR99-017	2030039303
-----------------	------------

Optional accessories

Bracket for wall hung pan

VR01-018	2030042528
-----------------	------------

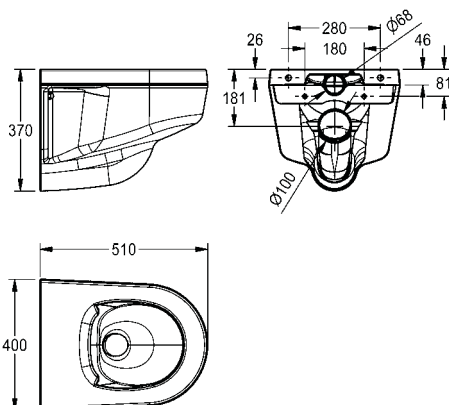


Wall mounted rimless WC pan

Wall mounted rimless WC pan, manufactured with 8 mm thick reinforced fiberglass and impact-resistant plastic. Seamless design with a white (RAL 9016) easy-care gel coat surface. Anti-ligature and vandal resistant design, for use in high-security areas. Flushing certified according to EN 997, with a 4 litre flush capacity, rear inlet (55 mm diameter) and rear horizontal outlet with siphon (diameter 100mm). Including stainless steel mounting plate in accordance with EN 33.

Dimensions 400 x 370 x 510 mm (W x H x D)

VR99-086	2030053462
-----------------	------------



KWC HEAVY-DUTY WC squat pan, urinal

Type	Article Number
------	----------------



HEAVY-DUTY squat pan

Squat pan made of stainless steel, suitable for DN 20 in-wall flush valves, surface satin finished, material thickness 1 mm, 9 liter flushing capacity, with circular folded edge (22 mm), circular flushing rim, suicide-resistant. Vertical connection from behind with screw connection of 28 mm diameter, internal DN 100 waste outlet, fixing material and height adjustment included.

Dimensions 755 x 200 x 755 mm (W x H x D)

HDTX504	2000108804
----------------	------------

Optional accessories

Polystyrene mounting support with wall connection elements and plastic mounting pins, dimensions 730 x 150 x 730 mm (W x H x D)

ZCMPX004	2000102731
-----------------	------------

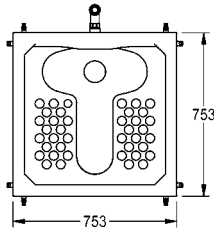
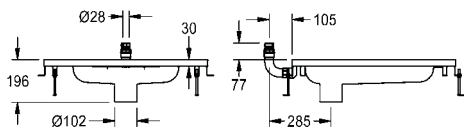
Trap, vertical outlet DN 100

ZCMPX002	2000102733
-----------------	------------

Trap, horizontal outlet DN 100

ZCMPX003	2000102734
-----------------	------------

Note: Suitable WC flushing valves, see "Flushing valves" section



HEAVY-DUTY urinal

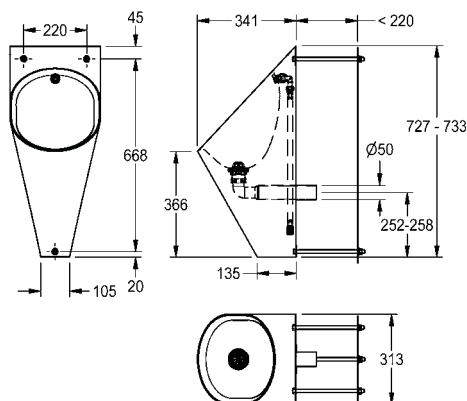
Single urinal, hidden mounting with stainless steel rods through wall (service room behind needed), stainless steel, surface satin finished, material thickness 1.2 mm, oval bowl, hidden horizontal outlet towards wall, mounting and fixing conform to EN 80, hidden screws, inclusive wall fixing bolts. 4 liter flush. With stainless steel spreader 1/2", inclusive domed waste and mounting material.

Dimensions 313 x 733 x 342 mm (W x H x D)

HDTX538	2000101023
----------------	------------

Version as wall-mounted urinal with invisible flushing control

HDTX538RS	2000103385
------------------	------------



KWC HEAVY-DUTY WC washbasin combinations

Type

Article Number



HEAVY-DUTY WC washbasin combination

Chromium nickel steel WC washbasin combination, satin finish surface for installing outside a utility room accessible from the back **with remotely controlled tap components for fitting in the utility room**, fixing from the back with threaded pins. Mounting stand, material thickness 2 mm with elevated rear wall including wall outlet and press button operation, seamless welded WC paper compartment and seamless moulded wash basin with trap, outlet DN 40. WC pan, material thickness 1.6 mm with full-length skirting, arranged on the left 45 degrees, bowl rim where nothing can hide, flushing certified pursuant to EN 997, horizontal outlet at the back DN 100. Self-closing gate valve with remote control to connect to premixed hot water or cold water, closing automatically with no blow back. Condensation water-proof concealed cistern with single flush technology (9 or 6 litres) Including fixing material.

Overall dimensions 700 x 1000 x 670 mm (W x H x D)
WC position on the left



HDTX805L 2000100953

Version with centrally arranged WC pan
Dimensions 390 x 1000 x 780 mm (W x H x D)

HDTX805M 2000100954

Version with WC pan angled 45° to the right
Dimensions 700 x 1000 x 670 mm (W x H x D)

HDTX805R 2000100955

Version with DN 20 flushing valve

Version with WC pan angled 45° to the left
Dimensions 700 x 1000 x 670 mm (W x H x D)

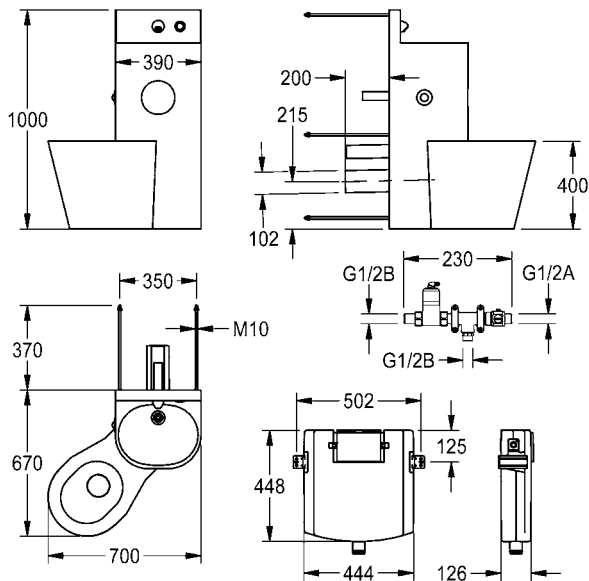
HDTX0020 2000108112

Version with WC pan angled 45° to the right
Dimensions 700 x 1000 x 670 mm (W x H x D)

HDTX0021 2000108113

Version with centrally positioned WC pan
Dimensions 390 x 1000 x 780 mm (W x H x D)

HDTX0022 2030005341



KWC HEAVY-DUTY WC washbasin combinations

Type

Article Number



HEAVY-DUTY WC washbasin combination

Chromium nickel steel WC wash basin combination, satin finish surface **for installing against a wall**, invisible fixing with grub screws, lockable inspection opening. Mounting stand, material thickness 2 mm with elevated rear wall including wall outlet and press button operation, seamless welded toilet paper roll compartment and seamless moulded oval wash basin with plastic trap. WC pan, material thickness 1.6 mm with full-length skirting, arranged on the left 45 degrees, bowl rim where nothing can hide, flushing certified pursuant to EN 997, horizontal outlet at the back DN 100. Self-closing gate valve with remote control to connect to premixed hot water or cold water, closing automatically with no blow back. Condensation water-proof concealed cistern with single flush technology (9 or 6 litres) Including fixing material.

Overall dimensions 810 x 1050 x 780 mm (W x H x D)

WC position on the left

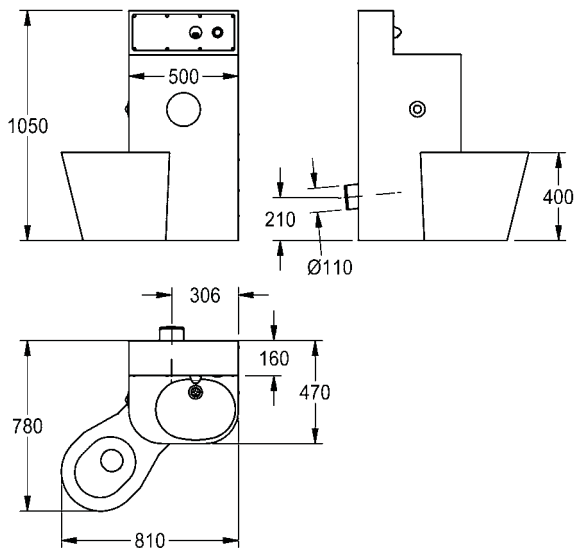
HDTX815L 2000100965

Version with centrally arranged WC pan
Dimensions 500 x 1050 x 890 mm (W x H x D)

HDTX815M 2000100966

Version with WC pan angled 45° to the right
Dimensions 810 x 1050 x 780 mm (W x H x D)

HDTX815R 2000100967



KWC HEAVY-DUTY WC washbasin combinations

Type

Article Number



HEAVY-DUTY WC washbasin combination

Chromium nickel steel WC washbasin combination, satin finish surface **for installing outside a utility room accessible from the back with remotely controlled tap components for fitting in the utility room**, fixing from the back with threaded pins. Mounting stand, material thickness 2 mm with elevated rear wall including wall outlet and piezo button with start/stop function with seamless welded WC paper compartment and seamless moulded wash basin with trap, outlet DN 40. WC pan, material thickness 1.6 mm with full-length skirting, arranged on the left 45 degrees, bowl rim where nothing can hide with piezo button for WC flushing, flushing certified pursuant to EN 997, horizontal outlet at the back DN 100. With solenoid to connect to premixed hot water or cold water. Condensation water-proof concealed cistern with single flush technology (9 or 6 litres) Supply voltage 24 V DC Including fixing material.

Overall dimensions 700 x 1000 x 670 (W x H x D)

HDTX806L 2000100956

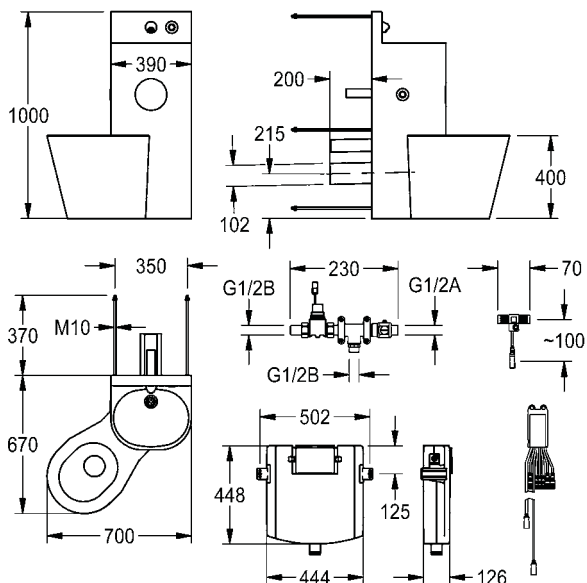
Version with centrally arranged WC pan
Dimensions 390 x 1000 x 780 mm (W x H x D)

HDTX806M 2000100957

Version with WC pan angled 45° to the right
Dimensions 700 x 1000 x 670 mm (W x H x D)

HDTX806R 2000100958

AQUA 3000 open system accessories, see "AQUA 3000 open" section



KWC HEAVY-DUTY WC washbasin combinations

Type

Article Number



HEAVY-DUTY WC washbasin combination

Chromium nickel steel WC washbasin combination, satin finish surface, **for installing against a wall, with integrated electronic tap components.** Invisible fixing with grub screws, lockable inspection opening Mounting stand, material thickness 2 mm with elevated rear wall including wall outlet and piezo button with start/stop function with seamless welded toilet paper roll compartment and seamless moulded wash basin with plastic trap. WC pan, material thickness 1.6 mm with full-length skirting, arranged on the left 45 degrees, bowl rim where nothing can hide with piezo button for WC flushing, flushing certified pursuant to EN 997, horizontal outlet at the back DN 100 With solenoid to connect to premixed hot water or cold water. Condensation water-proof concealed cistern with single flush technology (9 or 6 litres) Supply voltage 24 V DC Including fixing material.

Overall dimensions 810 x 1050 x 780 (W x H x D)

HDTX816L 2000100968

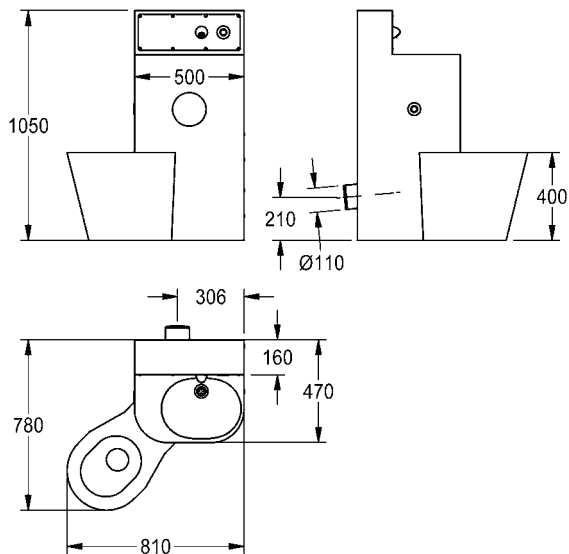
Version with centrally arranged WC pan
Dimensions 500 x 1050 x 890 mm (W x H x D)

HDTX816M 2000100969

Version with WC pan angled 45° to the right
Dimensions 810 x 1050 x 780 mm (W x H x D)

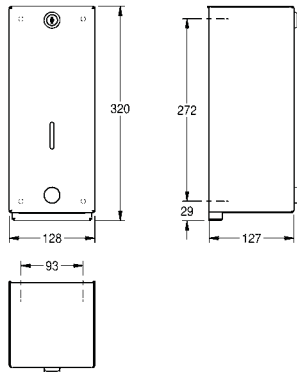
HDTX816R 2000100970

AQUA 3000 open system accessories, see "AQUA 3000 open" section



KWC HEAVY-DUTY accessories

Type Article Number



HEAVY-DUTY soap dispenser

Soap dispenser for wall mounting, stainless steel, surface satin finished, material thickness 14 gauge (2 mm), casing is held in place by a stainless steel rod fixed to the mounting plate and a security lock, suitable for liquid soaps and lotions, 1 liter soap tank, push button on front, includes stainless steel screws and dowels.

Dimensions 128 x 320 x 127 mm (W x H x D)

SD300 2000057729

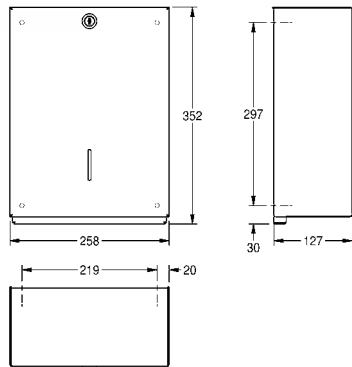
Consumables

Liquid soap, 1 litre, 6 bottles per pack

SO1LP 2030058103

Liquid soap, in 10 litre canister

SO10L 2000057168



HEAVY-DUTY paper towel dispenser

Paper towel dispenser for wall mounting, stainless steel, surface satin finished, material thickness 14 gauge (2 mm), complete closed casing, casing is held in place by a stainless steel rod fixed to the mounting plate and a security lock, loading capacity 400 - 600 pcs. of paper depending on convolution, includes stainless steel screws and dowels.

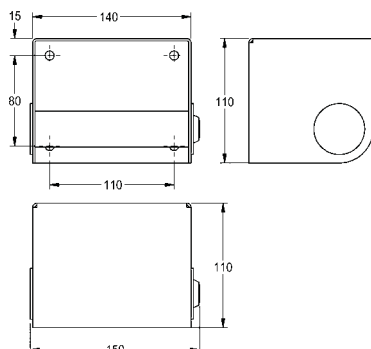
Dimensions 258 x 352 x 127 mm (W x H x D)

TD350 2000057407

Consumables

Folded paper towels, 225 items per pack, 20 packs per case.

FH70P 2030072378



HEAVY-DUTY toilet roll holder

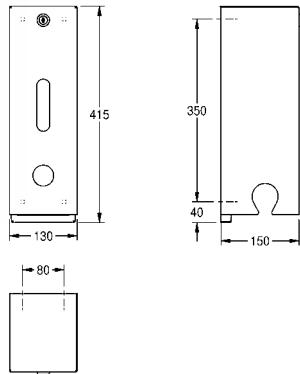
Toilet roll holder for wall mounting, stainless steel, surface satin finished, material thickness 14 gauge (2 mm), replaceable spindle secured by heavy-duty lock, for 1 roll with maximum 130 mm width, includes stainless steel screws and dowels.

Dimensions 140 x 110 x 110 mm (W x H x D)

HDTX0001 2030005623

KWC HEAVY-DUTY accessories

Type **Article Number**

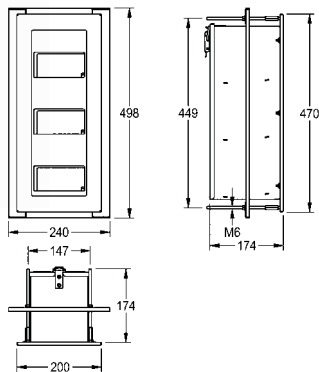
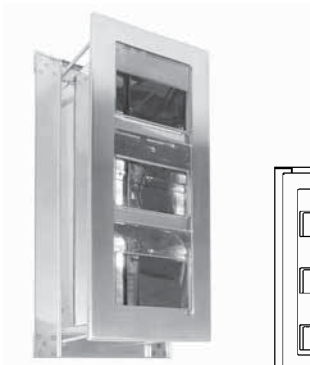


HEAVY-DUTY toilet roll holder

Toilet roll holder for wall mounting, stainless steel, surface satin finished, material thickness 14 gauge (2 mm), casing is held in place by a stainless steel rod fixed to the mounting plate and a security lock, paper withdrawal over tear-off edge, for three rolls with max. 120 mm width and max. diameter 115 mm, without spindles, reserve rolls visible, inclusive stainless steel screws and dowels.

Dimensions 130 x 415 x 150 mm (W x H x D)

HDTX674 2000057081

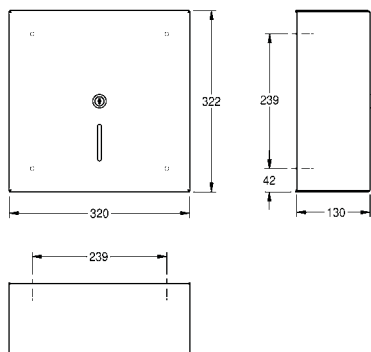


HEAVY-DUTY toilet roll holder

Triple toilet roll holder with spindle system for recessed mounting and re-filling from service room behind the wall, stainless steel, surface satin finished, material thickness 1.5 mm, mounting with stainless steel threaded rods trough the wall, for 3 rolls with max. diameter 120 mm, all 3 rolls accessible from the front, includes stainless steel rods and nuts.

Dimensions 240 x 498 x 174 mm (W x H x D)

HDTX675E 2000103188



HEAVY-DUTY Jumbo toilet roll holder

Jumbo roll holder for wall mounting, stainless steel, surface satin inished, material thickness 14 gauge (2 mm), casing is held in place by stainless steel rod fixed to the mounting plate and a security lock, paper withdrawal over two tear-off edges, for 1 roll with max. diameter 300 mm, includes stainless steel screws and dowels.

Dimensions 320 x 322 x 130 mm (W x H x D)

RH320 2000057717

High-security range

Type	Article Number
------	----------------

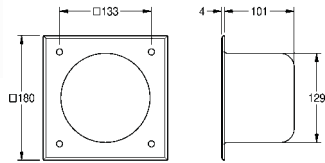


HEAVY-DUTY toilet paper roll compartment

Toilet paper roll compartment for installation in walls, stainless steel, material thickness 2,0 mm, visible surface satin finished. Round insert compartment for one WC paper roll. Mounting from front. With 4 mounting holes, fixing material included.

Dimensions 180 x 180 x 105 mm (W x H x D)

HDTX673E	2000102704
-----------------	------------



HEAVY-DUTY clothes hook

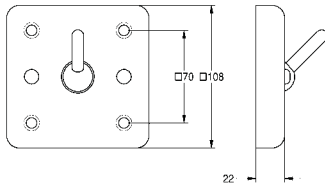
Coat hook for on-wall installation, stainless steel, material thickness 2 mm, visible surface satin finished. Safety hook tilts downwards when overloaded (5kg), projection 30 mm from wall plate. Mounting from the front with screws. M6S plastic dowels to be provided by the builder.

Dimensions 108 x 108 x 52 mm (W x H x D)

HDTX692	2000090046
----------------	------------

Version for installation from the rear, with threaded pins for vandalism-resistant installation via utility room

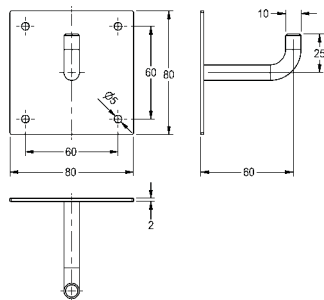
HDTX693	2000090047
----------------	------------



HEAVY DUTY coat hook

Coat hook for wall mounting, stainless steel, surface satin finished, material thickness 2 mm, mounting from front. For covering the mounting plate with plaster after fixing to wall, incl. stainless steel screws and dowels.

HDTX691	2030022465
----------------	------------



HEAVY-DUTY storage shelf for wall mounting

Shelf for wall mounting, stainless steel, surface satin finished, material thickness 2 mm, rounded edges, protection edge at front, Includes stainless steel crosshead screws and dowels.

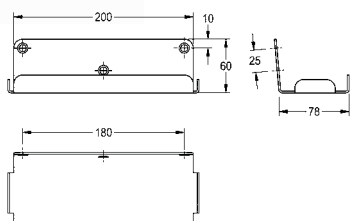
Dimensions 213 x 60 x 80 mm (W x H x D)

HDTX644	2000103076
----------------	------------

Optional accessories

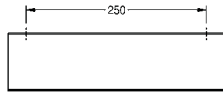
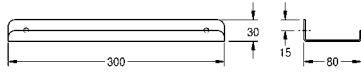
BX security system HD consisting of: 2 screws, 2 heavy duty wall plugs, 1 key (= set)

BF22HD	2000101366
---------------	------------



KWC HEAVY-DUTY accessories

Type **Article Number**



HEAVY-DUTY storage shelf

Shelf for wall mounting, stainless steel, surface satin finished, material thickness 2 mm, rounded edges, protection edge at front. Inclusive stainless steel crosshead screws and dowels.

Dimensions 300 x 30 x 80 mm (W x H x D)

AL300HD 2000056718

Width 500 mm

TA500HD 2000102702

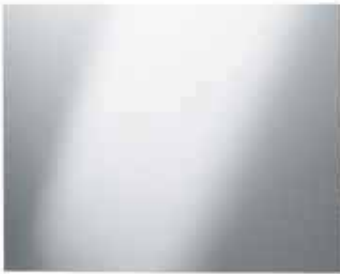
Width 600 mm

TA600HD 2000090054

Optional accessories

BX security system HD consisting of: 2 screws, 2 heavy duty wall plugs, 1 key (= set)

BF22HD 2000101366



HEAVY-DUTY mirror

Stainless steel mirror, high polished, material thickness 1.0 mm, continuous bevelling, anti-theft front-wall mounting system through underlaid polystyrene plate with concealed fastening (adhesive tape), mounting material included.

Dimensions 390 x 290 x 7 mm (W x H x D)

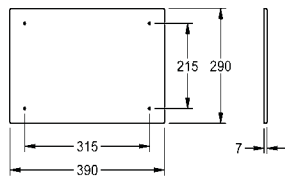
HDTX0013 2030020885

Dimensions 490 x 390 x 7 mm (W x H x D)

HDTX0014 2030020886

Dimensions 590 x 490 x 7 mm (W x H x D)

HDTX0015 2030020887

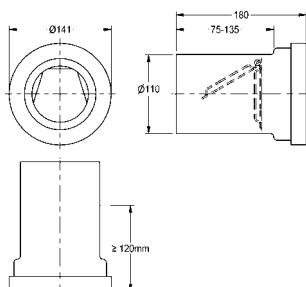
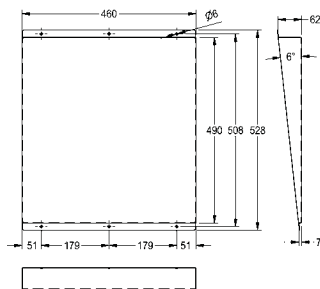


HEAVY-DUTY mirror

Stainless steel mirror for wall mounting, mirror with a reflective polished surface, material thickness 1 mm, mirror surface tilted towards user, six visible fixation points, includes stainless steel screws and dowels.

Dimensions 460 x 528 x 62 mm (W x H x D)

M501HD 2000103195



Communication stopper

Communication preventer for the use in prisons to prevent communication between prison cells using the WC pipework, for connection to WC flushing pipes DN 100, material PE (weldable), EN 997 approved, EN 476 approved, DIN 1389 approved.

ZCMPX0001 2000102705



Cleaning basins

A wide array of equipment is available, ranging from washing troughs, multipurpose and workroom sinks and sludge traps, all the way to systems for cleaning shoes and boots, and stands for utilisation in workshops, general industrial applications, laboratories, retail trade and in the food-processing industry.

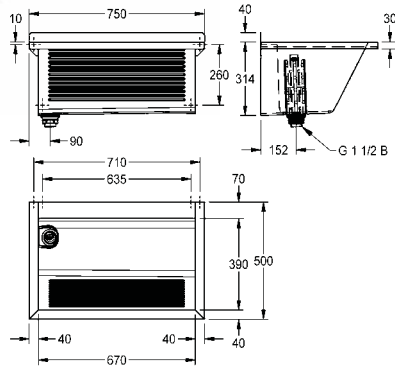
The sanitary equipment is made of stainless steel or resinbonded mineral granite; its robustness and smooth, porefree surface make it extremely hard-wearing and easy to care for.

Cleaning basins made of stainless steel and mineral granite

SIRIUS washtroughs made of stainless steel	368
SIRIUS multi-purpose sinks, utility sinks made of stainless steel	371
SIRIUS workroom sinks made of stainless steel	380
SIRIUS shoe- and boot cleaning unit made of stainless steel	381
Cleaning basins, classroom sink made of mineral granite	382
Cleaning basins, washtub, cleaning table made of mineral granite	384
Workroom sinks made of mineral granite	385
Sludge collecting basin, foot tube made of mineral granite	387
Shoe- and boot cleaning units made of mineral granite	388

KWC SIRIUS washtroughs made of stainless steel

Type Article Number



SIRIUS washtrough

SIRIUS washtrough for wall mounting, stainless steel, satin finished surface, material thickness of trough 0.8 mm / side panels 1.2 mm, side panels with integrated wall brackets, seamlessly welded, front panel with rubbing board, 70 mm lowered top ledge, no overflow, 40 mm rear upstand, left hand waste, G 1 1/2 B plastic standpipe strainer, removable corner protection plate, includes fixings.

Dimensions 750 x 354 x 500 mm (W x H x D)
Bowl dimensions 670 x 314 x 390 mm (W x H x D)

BS313N 2030045753

right hand waste

BS314N 2030045754

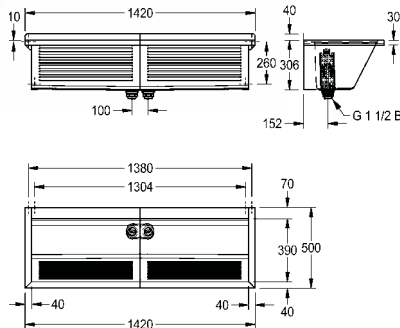
Optional accessories

Splashback made of chromium nickel steel height 310 mm

ZSIRX0040 2030047341

Folding grid (loose) made of chromium nickel steel

ZSIRX001 2000102678



SIRIUS washtrough

SIRIUS washtrough with 2 basins for wall mounting, stainless steel, satin finished surface, material thickness of trough 0.8 mm / side panels 1.2 mm, seamlessly welded side panels with integrated wall brackets, front panel with rubbing board, 70 mm lowered tap landing, no overflow, 40 mm rear upstand, 2 central wastes, G 1 1/2 B plastic standpipe strainers (x2), removable corner protection plates, includes fixings.

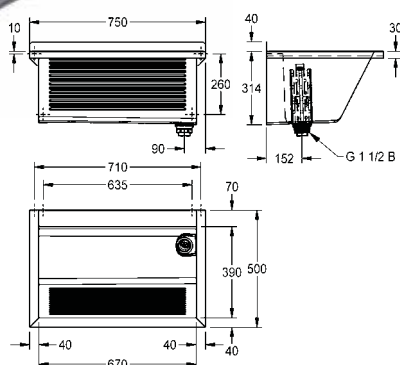
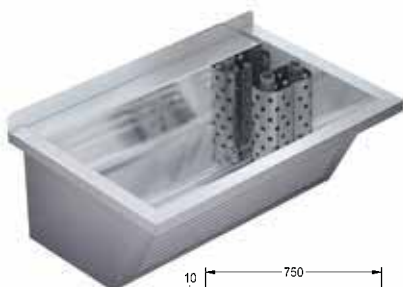
Dimensions 1420 x 346 x 500 mm (W x H x D)
Bowl dimensions 670 x 306 x 390 mm (W x H x D)

BS315N 2030045755

Optional accessories

Folding grid (loose) made of chromium nickel steel

ZSIRX001 2000102678



SIRIUS washtrough

SIRIUS washtrough for wall mounting, chromium steel, surface high polished, material thickness of trough 0.8 mm / side panels 1.2 mm, side panels with integrated wall brackets, seamlessly welded, front panel with rubbing board, 70 mm lowered tap landing, no overflow, 40 mm rear upstand, right hand drain, G 1 1/2 B plastic standpipe strainer, removable corner protection plate, fixings included.

Dimensions 750 x 354 x 500 mm (W x H x D)
Bowl dimensions 670 x 314 x 390 mm (W x H x D)

CA210-2N 2030045758

left hand waste

CA210-7N 2030045759

Optional accessories

Splashback made of chromium steel

ZSIRX0042 2030049575

Folding grid (loose) made of chromium nickel steel

ZSIRX001 2000102678

KWC SIRIUS washtroughs made of stainless steel

Type	Article Number
------	----------------

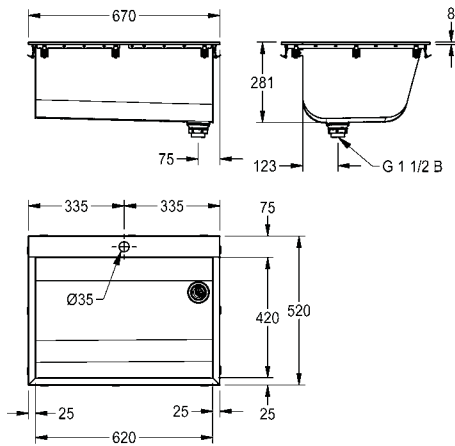


SIRIUS washtrough

SIRIUS washtrough for inset mounting, stainless steel, satin finished surface, material thickness of trough 0.8 mm / side panels 1.2 mm, seamlessly welded, front panel without rubbing board, 75 mm tap landing, with 35 mm tap hole, no overflow, right hand drain, G 1 1/2 B plastic standpipe strainer, includes seals and fixing claws for inset mounting.

Dimensions 670 x 281 x 520 mm (W x H x D)
 Bowl dimensions 620 x 281 x 420 mm (W x H x D)
 Cut out size 655 x 505 mm (W x D)

BS323N	2030045756
without tap hole	
BS324N	2030045757

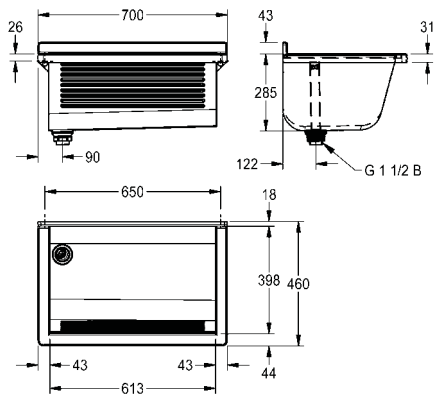


SIRIUS washtrough

SIRIUS washtrough for wall mounting, stainless steel, satin finished surface, material thickness of trough 0.8 mm / side panels 1.2 mm, side panels with integrated wall brackets, seamlessly welded, front panel with rubbing board, no tap ledge, no overflow, with grey plastic frame, 43 mm rear upstand, left hand waste, G 1 1/2 B plastic standpipe strainer, includes fixings.

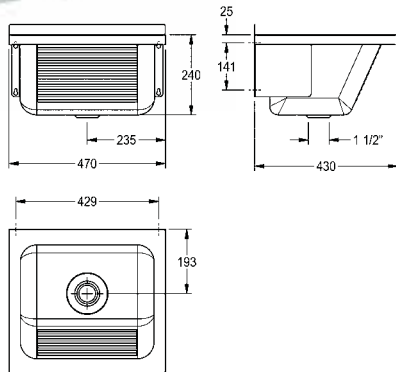
Dimensions 700 x 328 x 460 mm (W x H x D)
 Bowl dimensions 613 x 285 x 398 mm (W x H x D)

BS311N	2030045749
right hand waste	
BS312N	2030045750



KWC SIRIUS washtroughs made of stainless steel

Type	Article Number
------	----------------



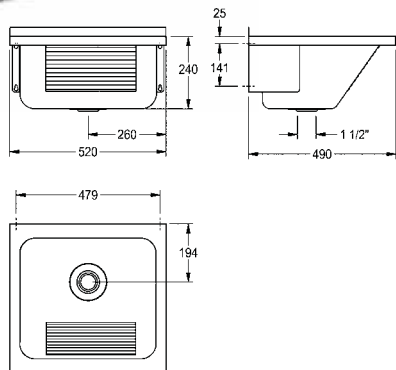
SIRIUS washtrough

General purpose utility sink for wall mounting, stainless steel, surface satin finished, material thickness 0.8 mm, front panel with riffle, 1 1/2" centric plug waste, with overflow, 30 mm rear upstand, prewelded mounting brackets, includes stainless steel screws and dowels.

Optimally available hinged grid Z-SIRX001: loosely attached - for side mount.

Dimensions 470 x 270 x 430 mm (W x H x D)

LTJ450	2000057085
---------------	------------



SIRIUS washtrough

General purpose utility sink for wall mounting, stainless steel, surface satin finished, material thickness 0.9 mm, front panel with riffle, 1 1/2" centric plug waste, with overflow, 30 mm rear upstand, prewelded mounting brackets, inclusive stainless steel screws and dowels.

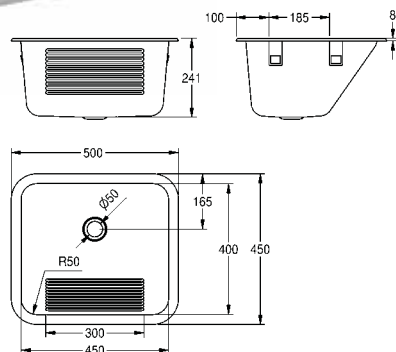
Dimensions 520 x 270 x 490 mm (W x H x D)

LTJ500	2000057087
---------------	------------

Optional accessories

Folding grid (loose) made of chromium nickel steel

ZSIRX001	2000102678
-----------------	------------



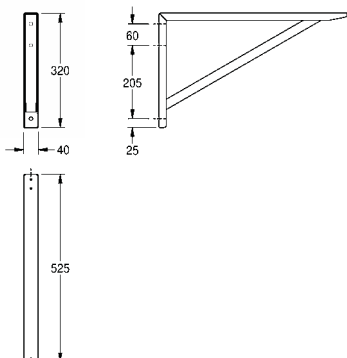
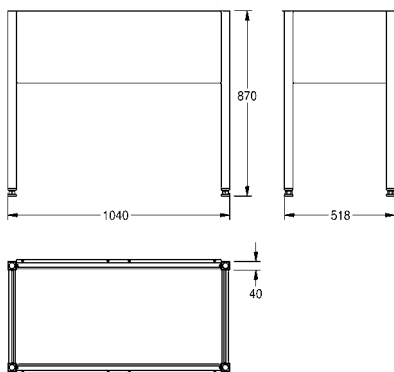
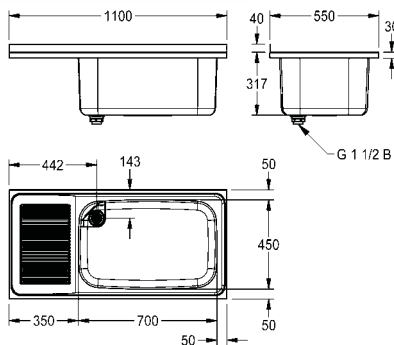
SIRIUS multi-purpose sink for inset mounting

General purpose utility sink for inset mounting, stainless steel, surface satin finished, material thickness 0.9 mm, front panel with riffle, 1 1/2" flat perforated waste, includes washer and clamps for inset mounting.

Dimensions 500 x 241 x 450 mm (W x H x D)

SIR342	207.0000.055
---------------	--------------

KWC SIRIUS utility sinks made of stainless steel



Type	Article Number
------	----------------

SIRIUS utility sink

General purpose sink for inset or wall mounting, stainless steel, surface satin finished, material thickness 1.2 mm, deep drawn seamless welded bowl, 1 1/2" waste with standpipe strainer, drain board with riffle, 40 mm rear upstand, wall mounting brackets optional.

One bowl, drainboard left, width 1100 mm
 Dimensions 1100 x 357 x 550 mm (W x H x D)
 Bowl Dimensions 700 x 300 x 450 mm (W x H x D)

BS351	2000100062
Drip section right	
BS352	2000100063
Two bowls (centric), two drain boards, width 2200 mm	
BS353	2000100064

SIRIUS underframe

Stainless steel, working height 900 mm including commercial sink. Apron 300 mm deep on all sides. Four adjustable feet. Underframe in supply fragmented.

Dimensions 1040 x 870 x 518 mm (W x H x D)
 for BS351 and BS352

U701V	2000100784
Underframe suitable for BS353, dimensions 2140 x 870 x 518 mm (W x H x D)	
U702V	2000100785

SIRIUS bracket

Bracket for wall mounting, stainless steel, surface satin finished, material thickness 1.5 mm, includes stainless steel screws and dowels.

Dimensions 40 x 320 x 525 mm (W x H x D)

BS354	2000056824
--------------	------------

KWC SIRIUS multi-purpose sinks made of stainless steel

Type	Article Number
------	----------------



SIRIUS multi-purpose sink

Multipurpose sink, for wall mounting, stainless steel, surface satin finished material thickness 1,2 mm, seamless welded bowl, without overflow, 1 1/2" plug waste with plastic overflow pipe, drainage back centric, with 70 mm tap ledge, with 40 mm rear upstand, including mounting material, includes mounting brackets loose.

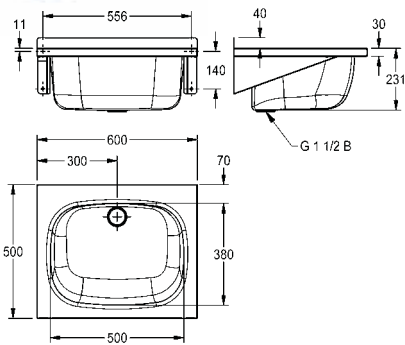
Dimension 600 x 271 x 500 mm (W x H x D)
Bowl dimension 500 x 231 x 380 mm (W x H x D)

BS330	207.0483.167
--------------	--------------

Optional accessories

Folding grid (loose) made of chromium nickel steel

ZSIRX001	2000102678
-----------------	------------



SIRIUS multi-purpose sink

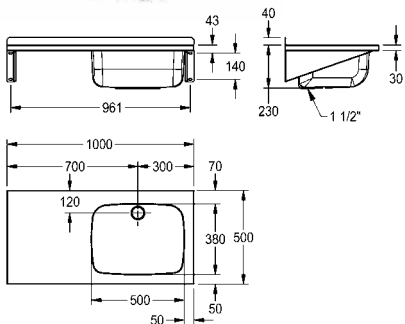
Multipurpose sink, for wall mounting, stainless steel, surface satin finished, material thickness 1 mm, seamless welded bowl, without overflow, with 1 1/2" plug waste with plastic overflow pipe, drainage back centric, with tap ledge 70 mm, with 40 mm rear upstand, with drainboard left 450 mm, including mounting material, including integrated brackets.

Dimension 1000 x 270 x 500 mm (W x H x D)
Bowl dimension 500 x 230 x 380 mm (W x H x D)

BS332	2000100077
--------------	------------

Shelf, right

BS333	2000100078
--------------	------------

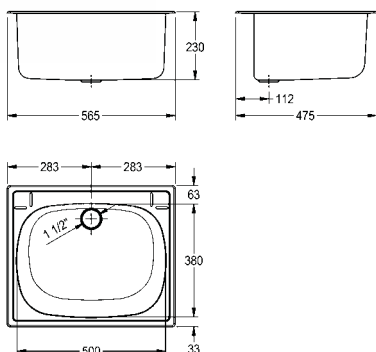


SIRIUS multi-purpose sink for inset mounting

General purpose sink for inset mounting, stainless steel, surface satin finished, material thickness 1 mm, seamless welded bowl with dimensions 500 x 380 x 230 mm, 1 1/2" plug waste with plastic overflow pipe, drainage back centric, includes washer and clamps for inset mounting.

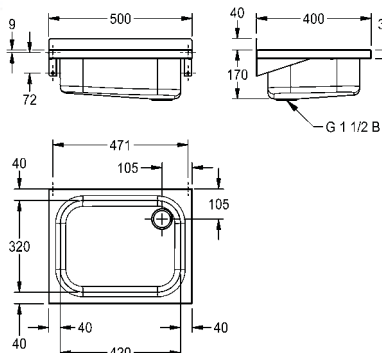
Outcut diameter 540 x 450 mm
Dimensions 565 x 230 x 475 mm (W x H x D)

BS340	2000057989
--------------	------------



KWC SIRIUS utility sinks made of stainless steel

Type **Article Number**



SIRIUS utility sink

Sink, for wall mounting, stainless steel, surface satin finished, material thickness 1,2 mm, seamless welded bowl, without overflow, with 1 1/2" plug waste with plastic overflow pipe, drainage back right, without tap ledge, with rear upstand 40 mm, without hinged grate, includes mounting material and mounting brackets loose.

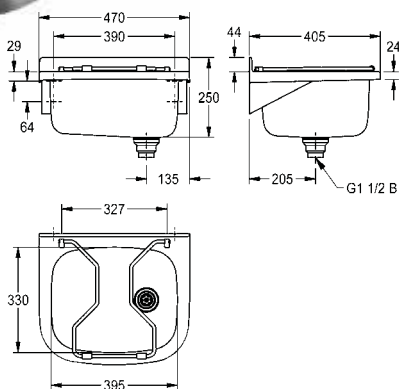
Dimension 500 x 210 x 400 mm (W x H x D)
Bowl dimension 420 x 170 x 320 (W x H x D)

BS303	2000090080
With folding grid	
BS302	207.0000.057

Optional accessories

Rear wall, dimensions 500 x 210 x 12 mm (W x H x D)

BS304	2000100939
--------------	------------

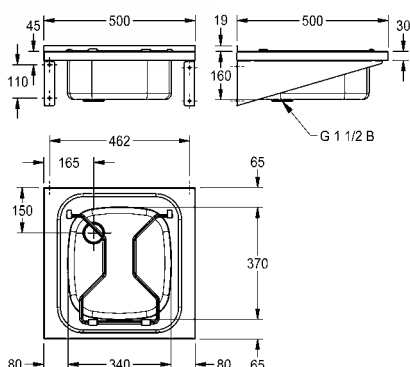


SIRIUS utility sink

SIRIUS Utility sink for wall mounting, stainless steel, surface satin finished, material thickness 1 mm, rounded edges, with grey plastic frame, with folding grid, G 1 1/2 B plastic standpipe strainer, right hand drain, with 44 mm rear upstand, fixings included.

Dimensions 470 x 250 x 405 mm (W x H x D)
Bowl dimensions 395 x 200 x 330 mm (W x H x D)

BS300N	207.0599.542
without folding grid	
BS301N	207.0599.545



SIRIUS utility sink

General purpose sink for wall mounting, stainless steel, surface satin finished, material thickness 1.5 mm, seamless welded bowl with dimensions 370 x 340 x 160 mm, rounded edges, 1 1/2" plug waste with plastic overflow pipe, drainage back left, 20 mm rear upstand, inclusive stainless steel grid with rubber bumps, with two brackets, includes stainless steel screws and dowels.

Dimensions 500 x 180 x 500 mm (W x H x D)

WB500GV	2000057408
----------------	------------

Optional accessories

Rear wall made of chromium nickel steel, attachable, suitable for WB500GV, material thickness 0.9 mm, dimensions 500 x 250 mm (W x H)

F831	2000057029
-------------	------------

KWC SIRIUS multi-purpose sinks, utility sinks made of stainless steel

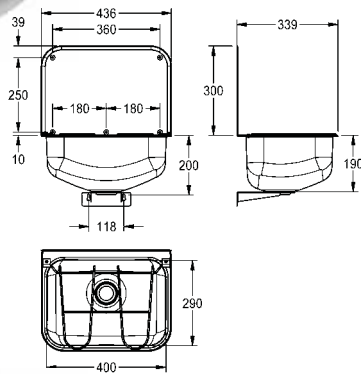
Type	Article Number
------	----------------



SIRIUS utility sink

General purpose sink for wall mounting, stainless steel, surface satin finished, material thickness 0.8 mm, seamless welded bowl with dimensions 436 x 190 x 339 mm, 1 1/2" flat perforated waste, drainage back centric, 436 x 300 mm splash back, includes stainlesssteel grid with rubber bumps, includes stainless steel screws, dowels and bracket.

Dimensions 436 x 190 x 339 mm (W x H x D)
 Bowl Dimensions 400 x 190 x 290 mm (W x H x D)
 Splashback 436 x 300 mm (W x H)



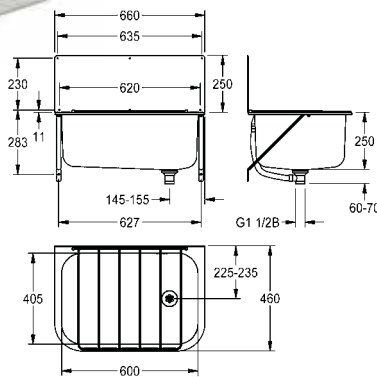
WB440COP	2000100353
-----------------	------------



SIRIUS multi-purpose sink

Multi-purpose sinks for wall mounting, made of 304 chrome-nickel steel, satin finished surface, seamless welded wash basin, rounded edges. Without tap ledge, with folding grid and splashback, waste fitting at the right in the middle, waste set with ball stop valve and overflow set DN 40, with overflow and rear upstand. With brackets, including mounting material.

Material thickness 1.5 mm
 Dimensions 660 x 250 x 460 mm (W x H x D)
 Internal dimensions 600 x 250 x 405 mm (W x H x D)
 Uprand 20 mm (H)
 Splashback 660 x 250 mm (W x H)



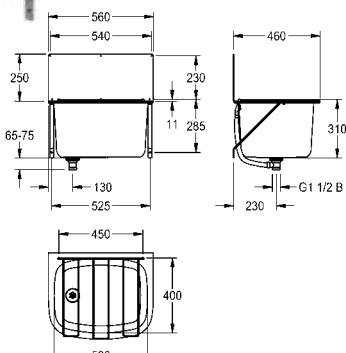
SIRX355	2000103647
----------------	------------



SIRIUS multi-purpose sink

Multi-purpose sinks for wall mounting, made of 304 chrome-nickel steel, satin finished surface, seamless welded wash basin, rounded edges. Without tap ledge, with folding grid and splashback, waste fitting at the left in the middle, waste set with ball stop valve and overflow set DN 40, with overflow and rear upstand. With brackets, includes mounting material.

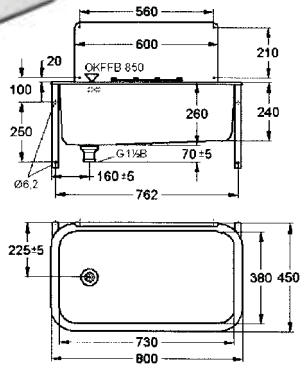
Material thickness 1.5 mm
 Dimensions 560 x 310 x 460 mm (W x H x D)
 Internal dimensions 500 x 310 x 400 mm (W x H x D)
 Uprand 20 mm (H)
 Splashback 560 x 250 mm (W x H)



SIRX360	2000103649
----------------	------------

KWC SIRIUS multi-purpose sinks, utility sinks made of stainless steel

Type	Article Number
------	----------------



SIRIUS multi-purpose sink

Wall mounted multi purpose sink, stainless steel, surface stain finished, material thickness 1.5 mm, seamless welded bowl, rounded edges. Without tap ledge, with folding grid and splashback, waste left centered, G 1 1/2 B waste and overflow set, with overflow, without rear upstand. With wall brackets, mounting material included.

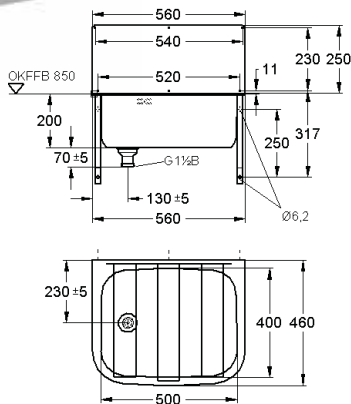
Dimensions 800 x 260 x 450 mm (W x H x D)
 Inside dimensions 730 x 260 x 380 mm (W x H x D)
 Splashback 600 x 250 mm (W x H)

SIRX356	2000103648
----------------	------------

Optional accessories

Edge protection profile, plastic

ESIRX0036	2000105276
------------------	------------

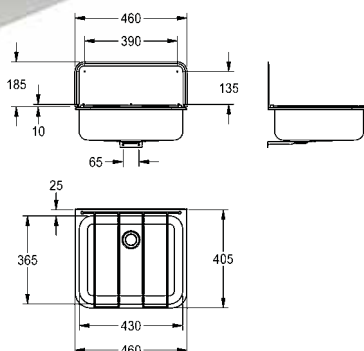


SIRIUS utility sink

Wall mounted cleaners sink made of stainless steel, surface satin finished, material thickness 1.0 mm. Without tap landing, with 20 mm rear upstand, G 1 1/2 B waste and overflow set, left centred, with integrated wall brackets, mounting material included.

Dimensions 560 x 200 x 460 mm (W x H x D)

SIRX364	2000103260
----------------	------------



SIRIUS utility sink

Wall basin for wall mounting, chromium nickel steel, surface silken, seamless basin, rounded edges. Without faucet, with folding grate and spout, drain at the center, plug waste and overflow set DN 40, with overflow, with rear upstand. Integrated consoles, includes mounting hardware.

Material thickness 1.0 mm
 Dimensions 460 x 135 x 405 mm (W x H x D)
 Inside dimensions 430 x 135 x 365 mm (W x H x D)
 Uprand 20 mm (H)
 Splash wall 460 x 185 mm (W x H)

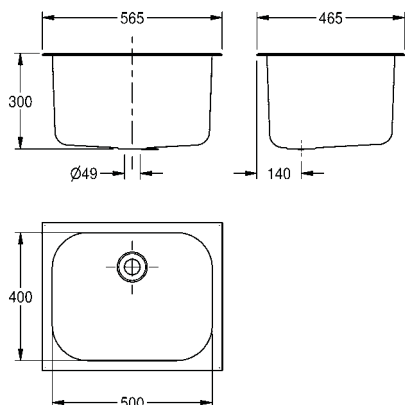
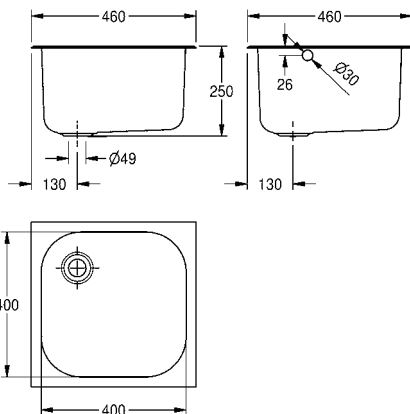
SIRX368	2000103269
----------------	------------

Optional accessories

Edge protection profile, plastic

ESIRX0036	2000105276
------------------	------------

KWC SIRIUS inset basins made of stainless steel



Type	Article Number
------	----------------

SIRIUS basin to be installed from above

SIRIUS small rimmed edged bowl for inserting into worktops, stainless steel with satin finish, material thickness 1.2mm, bowl dimension 400 x 250 x 400 mm. The bowl has a 30 mm rimmed edge and is prepared for a 38 mm waste and overflow. There are no tap holes therefore taps are to be mounted through the worktop or on the wall, cut-out size should be 410 x 410 mm. Fixing clips are included. Does not include waste, plug, chain and overflow.

Bowl dimensions 400 x 250 x 400 mm (W x H x D)
Dimensions 460 x 250 x 460 mm (W x H x D)

C20132W 3600005239

Dimensions 460 x 300 x 460 mm (W x H x D)

C20133W 3600005240

Optional accessories

38 mm sink waste pack with overflow

F2119 203.0000.297

SIRIUS basin to be installed from above

SIRIUS small rimmed edged bowl for inserting into worktops, stainless steel with satin finish, material thickness 1.2mm, bowl dimension 500 x 300 x 400 mm. The bowl has a 32 mm rimmed edge and is prepared for a 38 mm waste and overflow. There are no tap holes therefore taps are to be mounted through the worktop or on the wall, cut-out size should be 510 x 410 mm. Fixing clips are included. Does not include waste, plug, chain and overflow.

Bowl dimensions 500 x 300 x 400 mm (W x H x D)
Dimensions 565 x 300 x 465 mm (W x H x D)

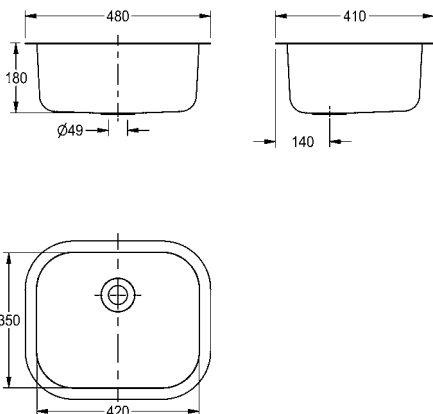
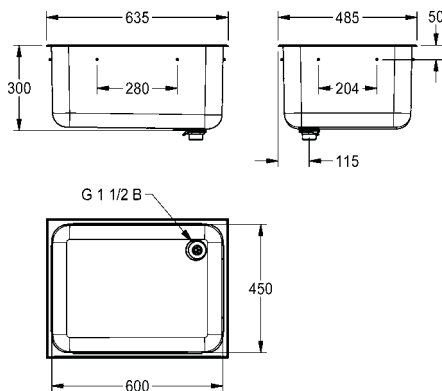
C20150W 3600005241

Optional accessories

38 mm sink waste pack with overflow

F2119 203.0000.297

KWC SIRIUS inset basins made of stainless steel



Type	Article Number
------	----------------

SIRIUS basin to be installed from above

Large rimmed edge bowls for inseting into worktops. Manufactured from 1.2 mm thick austenitic grade stainless steel with satin polish finish. An earthing lug is fitted to the underside of the bowl. Supplied with an 38 mm waste outlet and standpipe strainer overflow. Fixing studs, brackets and full fitting instructions are supplied.

(L or R after the code number refers to the handing of the waste outlet i.e.. back left or back right hand corner.)

Overall inset sink bowl - rimmed edge

Right hand waste

Dimensions 635 x 300 x 485 mm (W x H x D)

Bowl Dimensions 600 x 300 x 450 mm (W x H x D)

C20136R 2000100327

Basin to be installed from above, rear-left waste, dimensions 635 x 300 x 485 mm (W x H x D)

C20136L 2000100326

SIRIUS basin to be installed from above

Small rimmed edged bowl for inseting into worktops. Manufactured from 0.9 mm thick grade 1.4301 (304) stainless steel with a satin polish finish. The bowl has a 17mm rimmed edge and is prepared for a 38 mm waste and overflow. There are no tap holes therefore taps are to be mounted through the worktop or on the wall. Fixing clips are supplied with each bowl. Waste, plug, chain and overflow are available extras.

NOTE: It may be necessary to notch the worktop when fitting an overflow.

17 mm rimmed edge

Centre waste

Dimensions 420 x 350 x 180 mm (W x H x D)

Cut-out size 400 x 500 mm

C20137N 2000100324

Optional accessories

38 mm sink waste pack with overflow

F2119 203.0000.297

KWC SIRIUS utility sinks made of stainless steel



Type	Article Number
------	----------------

SIRIUS stand drain

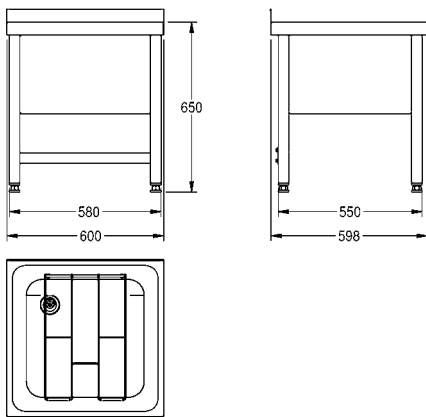
Floor standing cleaners sink, stainless steel, surface satin finished, material thickness 1 mm, seamless welded bowl with diameter 450 x 450 x 250 mm, bowl with revolving channel, without tap ledge and 50 mm rear upstand, 1 1/2" plug waste with stainless steel overflow tube, drainage back left, inclusive stainless steel folding grid with rubber bumps, underframe with 300 mm aprons, cross stud on backside for better stability, 650 mm working height, feet 40 x 40 mm and height adjustable to 25 mm.

Floor standing janitorial unit for screwing.
Dimensions 600 x 650 x 598 mm (W x H x D)

F832V 2000100061

Stand drain with frame welded together

F832V-F 2000057046

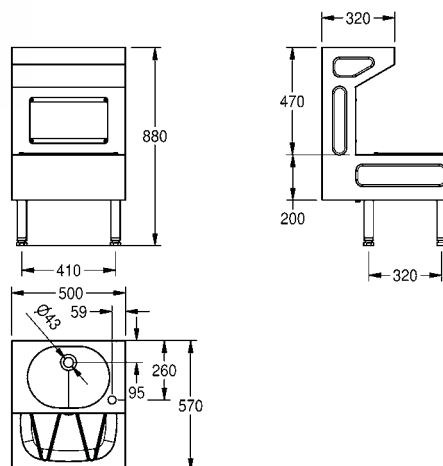


SIRIUS stand drain - washbasin combination

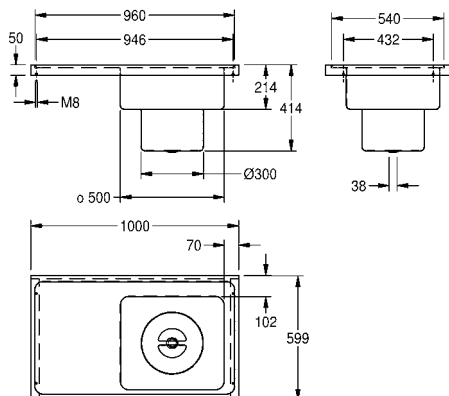
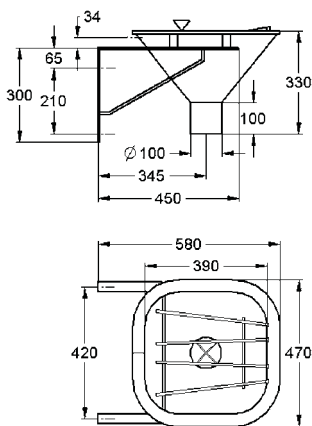
Cleaner sink wash basin combination, free standing or for wall mounting, stainless steel, surface satin finished, material thickness 1.2 mm, seamless welded bowl with diameter 360 x 272 x 135 mm, without overflow, 1 1/4" flat perforated waste, inclusive tap hole top right, sink with diameter 420 x 350 x 180 mm and revolving channel, 1 1/2" domed waste, drainage centric, inclusive stainless steel folding grid with rubber bumps, removable inspection cover, feet height adjustable.

Dimensions 500 x 880 x 570 mm (W x H x D)

SIRX832 2000071907



KWC SIRIUS utility sink, plaster sink made of stainless steel



Type	Article Number
------	----------------

SIRIUS disposal sink

Disposal sink made of nickel-chromium steel 316Ti, surface satin finished, for wall mounting, concealed circular flushing rim, with rinsing tube connector for flush valve provided by customer, flush water volume 6 l. Vertical outlet DN 100, with removable strainer, hinged grating made of nickel-chromium steel for buckets, wall brackets and fixing material.

Dimensions 470 x 360 x 580 mm (B x H x D)

SIRX370	2000101175
----------------	------------

Optional accessories

Trap, vertical outlet DN 100

ZCMPX002	2000102733
-----------------	------------

Trap, horizontal outlet DN 100

ZCMPX003	2000102734
-----------------	------------

SIRIUS plaster sink

Plaster sink for work top mounting, stainless steel, surface satin finished, material thickness 1.5 mm, seamless welded bowl with diameter 450 x 500 x 150 mm, bowl and drain board with revolving channel, 1 1/2" centric waste hole punch, removable plaster basket with cover.

Dimensions 1000 x 420 x 600 mm (W x H x D)
Drainboard left

SIRX835	2000071901
----------------	------------

Drainboard right

SIRX836	2000071902
----------------	------------

Optional accessories

Feet for plaster trap, stainless steel 2 pieces

SIRX838	2000103301
----------------	------------

Brackets for plaster sink

SIRX837	2000103337
----------------	------------

KWC SIRIUS workroom sinks made of stainless steel

Type	Article Number
------	----------------



SIRIUS workroom sink with stand pipe valve

Workroom sink, stainless steel, surface satin finished, material thickness 1.2 mm, 38 mm waste fitting with 1 1/2" standing plug/overflow tube and strainer, with stainless steel square tube base frame, height adjustable.

Dimensions 1000 x 800/300 x 600 mm (W x H x D)

SIRX751 2000100068

Dimensions 1500 x 800 x 600 mm (W x H x D)

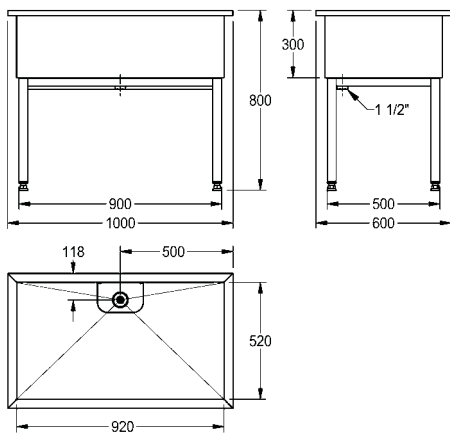
Washbasin dimensions 1420 x 300 x 520 mm (W x H x D)

SIRX752 2000100357

Dimensions 2000 x 800 x 600 mm (W x H x D)

Washbasin dimensions 1920 x 300 x 520 mm (W x H x D)

SIRX753 2000100359



SIRIUS workroom sink

Workroom sink, stainless steel, surface satin finished, material thickness 1.2 mm, base drainage hole with waste body and sludge trap bucket in stainless steel welded on, overflow DN 40 and outlet spigot DN 15, waste set with ball stop valve DN 40 and DN 15, with stainless steel square tube base frame, height adjustable.

Dimensions 1000 x 800 x 600 mm (W x H x D)

Bowl Dimensions 920 x 300 x 520 mm (W x H x D)

SIRX754 2000100360

Dimensions 1500 x 800 x 600 mm (W x H x D)

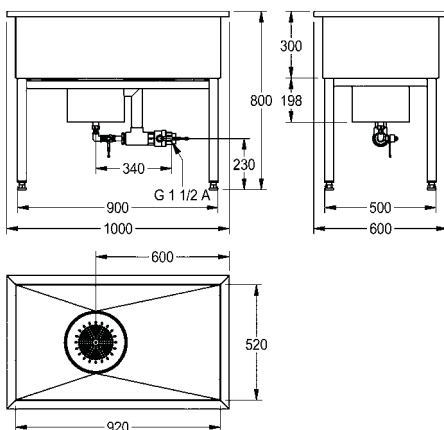
Washbasin dimensions 1420 x 300 x 520 mm (W x H x D)

SIRX755 2000100361

Dimensions 2000 x 800 x 600 mm (W x H x D)

Washbasin dimensions 1920 x 300 x 520 mm (W x H x D)

SIRX756 2000100362



KWC SIRIUS sludge trap sink, shoe- and boot cleaning unit made of stainless steel

Type	Article Number
------	----------------

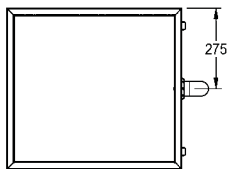
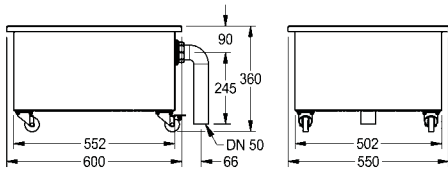


SIRIUS sludge trap sink

Sludge trap sink, stainless steel, surface satin finished, material thickness 1.2 mm, on rollers with break device.

With 2" waste and connected PVC pipe as overflow.
Dimensions 600 x 360 x 550 mm (W x H x D)

SIRX757	2000100363
----------------	------------



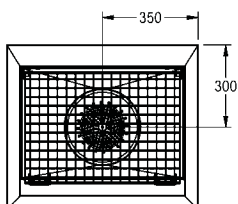
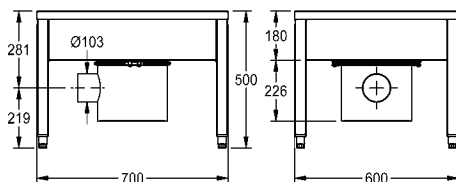
SIRIUS shoe- and boot-cleaning unit

Shoe- and boot-cleaning-unit for wall mounting, stainless steel, surface satin finished, material thickness 1.2 mm, with 40 x 40 mm feet, waste turnable, inlet diameter 1/2". 1 washing place, include sludge trap fitting, hand brush with lever activation and sump bucket with siphon

Dimensions 700 x 500 x 600 mm (W x H x D)



SIRX711C	2000100354
with 2 cleaning places, dimensions 1400 x 500 x 600 mm (W x H x D)	
SIRX721C	2000100355
with 3 cleaning places, dimensions 2100 x 500 x 600 mm (W x H x D)	
SIRX731C	2000100356
with 4 cleaning places, dimensions 2800 x 500 x 600 mm (W x H x D)	
SIRX741C	2000101549



KWC Cleaning basins made of mineral granite

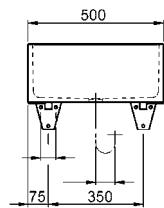


Sanitary equipment products made of synthetic resinbonded mineral granite are, in the truest sense of the word, produced seamlessly from a single cast and are exceptionally suitable as products for cleaning areas.

A range of multi-purpose, utility and classroom basins, workroom sinks and sludge traps, in addition to shoe cleaning and boot-cleaning systems, are produced under the brand name MIRANIT and are exceptionally easy to clean and robust.

KWC Cleaning basins, classroom sink made of mineral granite

Type	Article Number
------	----------------



Utility sinks

Cleaner sink, made of resin-bonded mineral material (temperature-resistant up to 80 °C). Alpine white colour. With strainer waste DN 40, consoles made of steel, powder-coated.

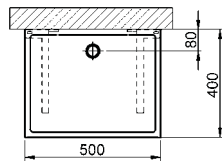
Dimensions 500 x 215 x 400 mm (W x H x D)

SIRW810	2000101109
----------------	------------

Optional accessories

Folding grid made of 304 chrome-nickel steel for wall mounting, grid dimensions 250 x 400 mm

ESIRW810	2000101110
-----------------	------------



Classroom basin

Classroom sink made of resin-bonded mineral material with smooth, pore-free surface (temperature resistant up to 80 °C). Colour Alpine White. With seamless bowl, without overflow, with tap landing and tap hole, sponge tray on the left side, front slightly arched. Rear contoured edge. Strainer waste DN 32, plastic threaded connection, fixing material included.

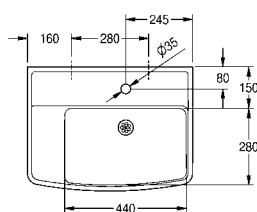
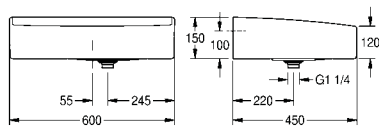
Dimensions 600 x 150 x 450 mm (W x H x D)

Bowl dimensions 440 x 280 mm (W x T)

ANMW322	2000106177
----------------	------------

Without tap hole

ANMW323	2030006863
----------------	------------



Cabinet for installation under the tabletop

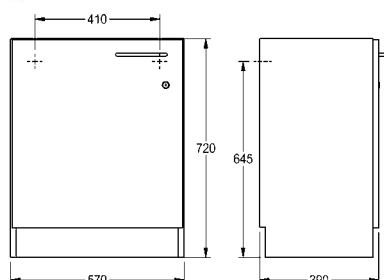
Base cabinet for classroom basin made of melamine coated chipboard, colour white. Floor standing unit closed on three sides with black skirting board and adjustable feet, front door with handle and cylinder lock, **door hinge left**.

Dimensions 570 x 720 x 390 mm (W x H x D)

WSPL0017	2000107663
-----------------	------------

Base cabinet, **door hinge right**

WSPL0018	2000107664
-----------------	------------



KWC Cleaning basins, washtube, cleaning table made of mineral granite

Type	Article Number
------	----------------

VARIUSmed multi-purpose sinks

VARIUSmed multi-purpose basin made of MIRANIT resin-bonded mineral material, with a non-porous smooth surface (temperature resistant up to 80°C) coated all around. Alpine white colour. With up to 2 seamlessly integrated bowls with large inner radii, without overflow. Variable bowl spacing. Splash-guard edge front and back. With tube overflow DN 40 x 200 mm. Including fastening material (screws, dowels, wall bracket, consoles).

Bowl dimensions 600 x 350 x 500 mm (W x H x D)

When using stainless steel consoles:

Dimensions 800 - 3200 x 375 x 600 mm (W x H x D)
Center-center spacing of the bowls min. 800 mm

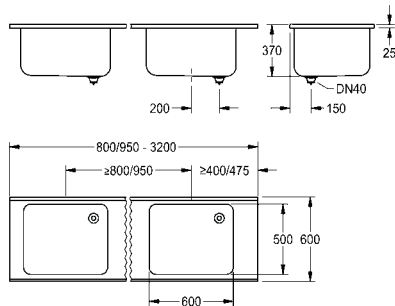
When using MIRANIT consoles:

Dimensions 950 - 3200 x 375 x 600 mm (W x H x D)
Center-center spacing of the bowls min. 950 mm

Customized fit to building specifications

Detailed specifications such as installation type and basin spacing, etc. are detailed on planning sheets for each specific project (to be requested from KWC Professional).

Prices on request.



Washtube

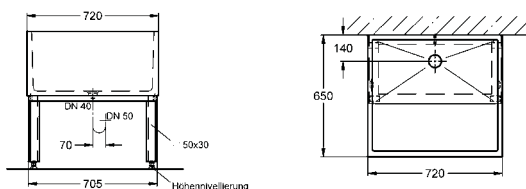
Washtub made of MIRANIT resin-bonded mineral material with smooth, pore-free surface (temperature-resistant up to 80 °C). Sloping plane with riffled washing surface, drainage with outlet valve DN 40, square tub substructure made from steel, powder coated with adjustable feet. Fixing material included.

Colour Alpine white

Dimensions 720 x 350/750 x 650/380 mm (W x H x D)

SIRW380

2000103287



Cleaning table

Cleaning table made of MIRANIT resin-bonded mineral material with smooth, pore-free surface (temperature-resistant up to 80 °C). Table top, height 55 mm, with angle brackets made from steel, powder coated with adjustable feet. Washtub with sloping plane with riffled washing surface, drainage with outlet valve DN 40, square tub substructure made from steel, powder coated with adjustable feet. Fixing material included.

Colour Alpine white

Dimensions 2300 x 805 x 650 mm (W x H x DT), width table top 1600 mm

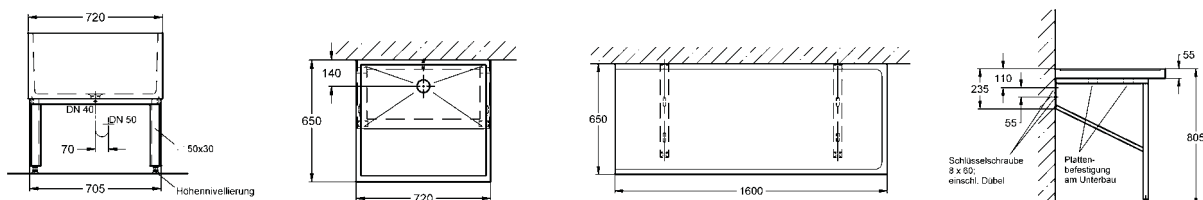
SIRW384

2000103285

Dimensions 2700 x 805 x 650 mm (W x H x D), width table top 2000 mm

SIRW385

2000103286



KWC Workroom sinks made of mineral granite

Type	Article Number
------	----------------



Workroom sink with tap ledge and stand pipe valve

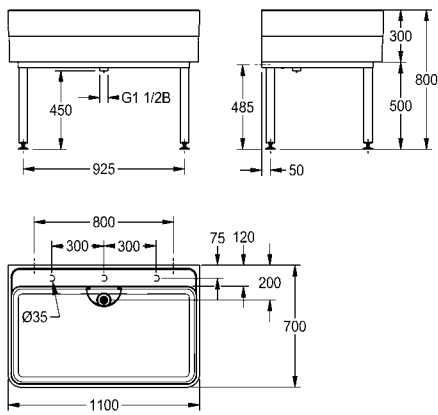
Workroom sink made of MIRANIT resin-bonded mineral material with pore-free smooth surface (temperature-resistant up to 80 °C). Basin with integrated tap landing, without tap hole, with marking for drilling holes on the underside of the tap landing. Large inner radii, bottom of basin with 2° slope. Alpine white colour. Stand pipe valve DN 40 x 200 mm and protective strainer (removable) made of stainless steel. Welded substructure frame, powder-coated in basin colour, adjustable base feet. Mounting material included.

Dimensions 1100 x 300/800 x 700 mm (W x H x D)
 Bowl dimensions 1060 x 283 x 555 mm (W x H x D)

SIRW770 2000102720

Length 2000 mm

SIRW772 2000102721



Workroom sink with tap ledge and sludge bucket

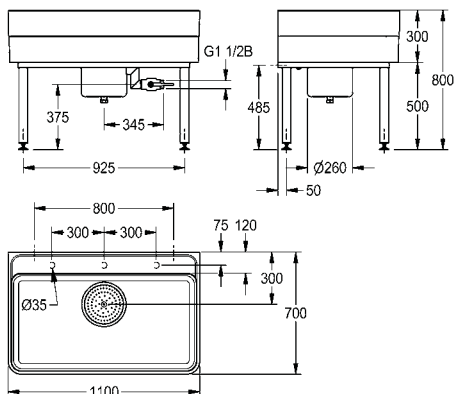
Workroom sink made of MIRANIT resin-bonded mineral material with pore-free smooth surface (temperature-resistant up to 80 °C). Basin with integrated tap landing, without tap hole, with marking for drilling holes on the underside of the tap landing. Large inner radii, bottom of basin with 2° slope. Alpine white colour. Drain with under-screwed waste unit including removable sludge bucket, DN 40 overflow at waste unit and DN 25 waste outlet spigot made of stainless steel. Waste unit with DN 40 ball cock completely fitted with tubes. Waste unit rotatable by 90°. Welded substructure frame, powder-coated in basin colour, adjustable base feet. Mounting material included.

Dimensions 1100 x 300/800 x 700 mm (W x H x D)
 Bowl dimensions 1060 x 283 x 555 mm (W x H x D)

SIRW771 2000102722

Length 2000 mm

SIRW773 2000102723



KWC Workroom sinks made of mineral granite

Type	Article Number
------	----------------



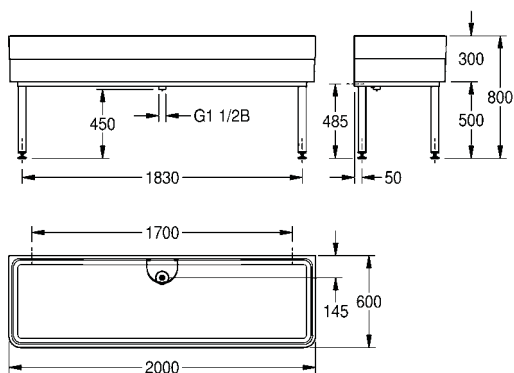
Workroom sink with stand pipe valve

Workroom sink made of MIRANIT resin-bonded mineral material with pore-free smooth surface (temperature-resistant up to 80 °C). Basin without tap landing. Large inner radii, bottom of basin with 2° slope. Alpine white colour. Welded substructure frame, powder-coated in basin colour, adjustable base feet. Mounting material included.

Stand pipe valve DN 40 x 200 mm and protective strainer (removable) made of stainless steel.

Dimensions 2000 x 300/800 x 600 mm (W x H x D)
Bowl dimensions 1960 x 283 x 560 mm (W x H x D)

SIRW774 2000102724

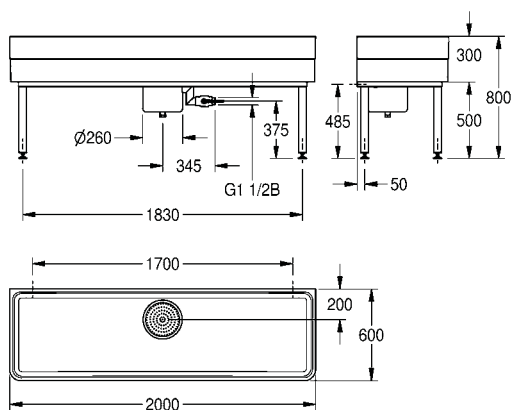


Workroom sink with sludge bucket

Workroom sink made of MIRANIT resin-bonded mineral material with pore-free smooth surface (temperature-resistant up to 80 °C). Basin without tap landing. Large inner radii, bottom of basin with 2° slope. Alpine white colour. Welded substructure frame, powder-coated in basin colour, adjustable base feet. Mounting material included. Drain with under-screwed waste unit including removable sludge bucket, DN 40 overflow at waste unit and DN 25 waste outlet spigot made of stainless steel. Waste unit with DN 40 ball cock completely fitted with tubes. Waste unit rotatable by 90°.

Dimensions 2000 x 300/800 x 600 mm (W x H x D)
Bowl dimensions 1960 x 283 x 560 mm (W x H x D)

SIRW775 2000102725



KWC Sludge trap sink, foot bath made of mineral granite

Type Article Number

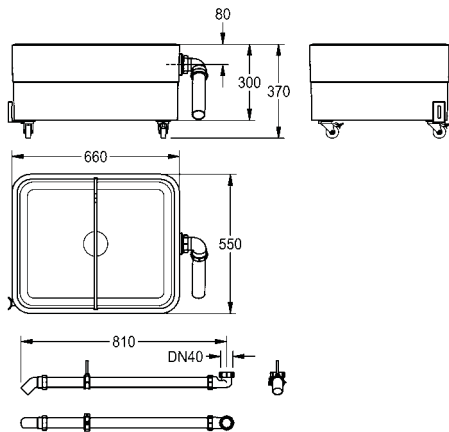


SIRIUS sludge trap sink

Sludge collecting basin made of MIRANIT resin-bonded mineral material with pore-free smooth surface (temperature-resistant up to 80 °C). Large inner radii. Alpine white colour. Version with 2-chamber system with removable divider made of plastic material, overflow for a controlled outflow into a customer-provided floor drain. On lockable rolls. DN 50 overflow with PVC pipe elbow on the side. PVC pipe and pipe elbows including mounting material.

Dimensions 660 x 300/370 x 550 mm (W x H x D)

SIRW759 2000102726



FLENSBURG foot bath

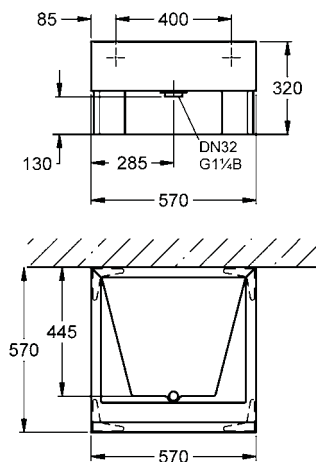
Foot bath, made from resin-bonded mineral material with non-porous smooth surface (max. temperature 80 °C), colour alpine white, seamlessly integrated bowl and flow DN 32.

With corner feets made from resin-bonded mineral material
Dimensions 570 x 320 x 570 mm (W x H x D)

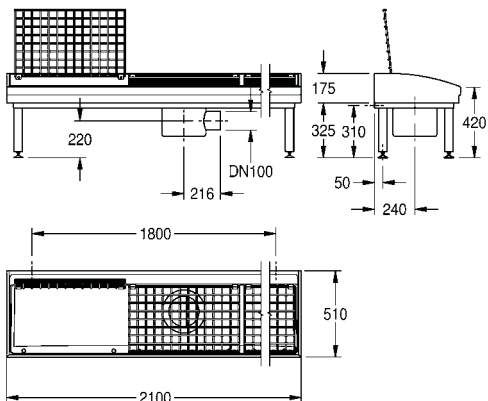
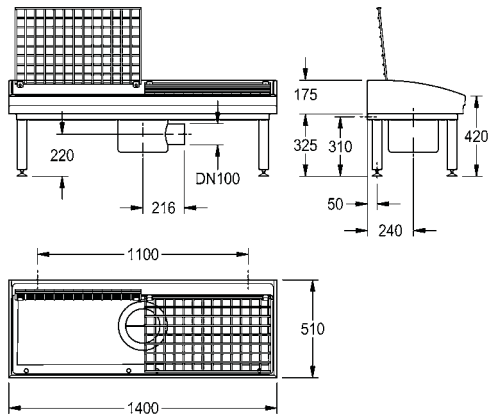
SIRW840 2000101335

Version with steel square tube base frame, powder-coated, with height adjustable feet

SIRW841 2000101336



KWC Shoe- and boot cleaning units made of mineral granite



Type	Article Number
------	----------------

SIRIUS shoe- and boot-cleaning unit with 2 cleaning places

Shoe and boot cleaning unit made of MIRANIT resin-bonded mineral material with pore-free smooth surface (temperature-resistant up to 80 °C). For wall mounting. Large inner radii, bottom of basin with 2° slope. Alpine white colour. Drain with under-screwed waste unit with DN 100 horizontal outlet including removable sludge bucket made of stainless steel. Waste unit rotatable by 90°. One hinged grating made of stainless steel for each wash place. Welded substructure frame, powder-coated in basin colour, adjustable base feet. Mounting material included.

Dimensions 1400 x 175/500 x 510 mm (W x H x D)

SIRW721A 2000102727

for on-site trap with 2 cleaning places

SIRW721B 2000102728

Optional accessories

Device connecting valve DN 15, for wall mounting, with backflow preventer, pipe vent and hose coupling, high-polished brass.

ZSIRW001 2000101470

Mounting hook for hand brush, made of chromium nickel steel.

ZSIRW002 2000101471

Hand brush with lever valve, spray pipe with 3 separately installed brush elements, with DN 8 connecting hose, G 1/2, length 1400 mm and anti-twist protection.

ZSIRW003 2000101473

SIRIUS shoe- and boot-cleaning unit with 3 cleaning places

Shoe and boot cleaning unit made of MIRANIT resin-bonded mineral material with pore-free smooth surface (temperature-resistant up to 80 °C). For wall mounting. Large inner radii, bottom of basin with 2° slope. Alpine white colour. Drain with under-screwed waste unit with DN 100 horizontal outlet including removable sludge bucket made of stainless steel. Waste unit rotatable by 90°. One hinged grating made of stainless steel for each wash place. Welded substructure frame, powder-coated in basin colour, adjustable base feet. Mounting material included.

With integrated siphon

Dimensions 2100 x 175/500 x 510 mm (W x H x D)

SIRW731A 2000102729

For on-site trap with 3 cleaning places

SIRW731B 2000102730

Optional accessories

Device connecting valve DN 15, for wall mounting, with backflow preventer, pipe vent and hose coupling, high-polished brass.

ZSIRW001 2000101470

Mounting hook for hand brush, made of chromium nickel steel.

ZSIRW002 2000101471

Hand brush with lever valve, spray pipe with 3 separately installed brush elements, with DN 8 connecting hose, G 1/2, length 1400 mm and anti-twist protection.

ZSIRW003 2000101473

KWC Shoe- and boot cleaning units made of mineral granite

Type	Article Number
------	----------------

SIRIUS boot-cleaning unit

Boot cleaning unit made of resin-bonded mineral material with smooth, pore-free surface, anthracite color. With height-adjustable feet, galvanized folding grid, manual brush with lever valve, grab handle, sole-cleaning brushes, spray arrays and DN 15 foot valve.

With DN 100 waste outlet unit, sludge bucket and siphon trap.
Dimensions 600 x 425-450 x 900 mm (W x H x D)

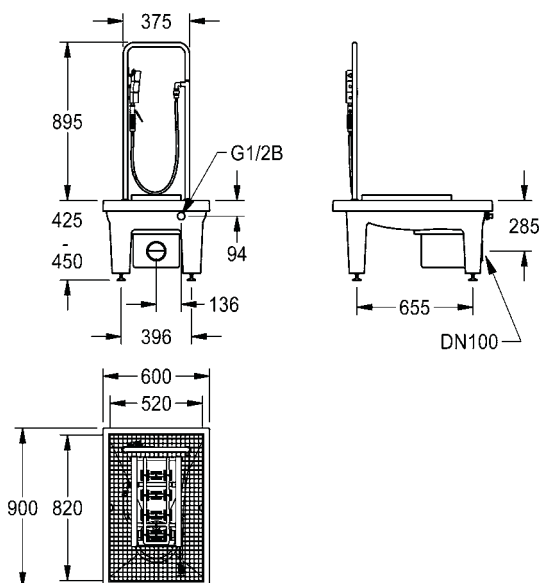
SIRB714 2000101080
with DN 100 waste outlet unit, vertical

SIRB712 2000101084
with DN 100 waste outlet unit and sludge bucket, without siphon trap

SIRB715 2000101083

Version **without** feet, with DN 100 drain piece, horizontal,
dimensions 600 x 205 x 900 mm (W x H x D)

SIRB711 2000101085





Commercial sinks made of stainless steel

The high-quality commercial catering product range is noteworthy for its wide selection, generous-sized working sinks and variable storage surfaces. The product range is supplemented with the corresponding frames.

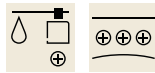
The commercial sinks are used in professional food processing and for commercial use.

Commercial sinks made of stainless steel

MAXIMA commercial sinks, depth 600 mm	392
MAXIMA commercial sinks, depth 700 mm	396

KWC MAXIMA commercial sinks, depth 600 mm

Type **Article Number**



MAXIMA Commercial sink

Commercial sink for inset or wall mounting, stainless steel, surface satin finished, material thickness 1 mm, deep drawn seamless welded bowl, without overflow and 80 mm tap ledge, 1 1/2" waste with two part overflow tube consisting of perforated stainless steel tube and plastic tube, 100 mm rear upstand, wall mounting brackets optional, drilling holes for wall mounting prelasered.

Dimensions 600 x 382 x 600 mm (W x H x D)

MAXS100-60 2000057616

Optional accessories

Single bracket made of chromium nickel steel

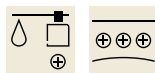
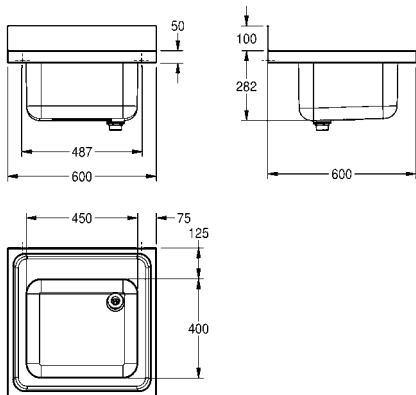
MAXB600 2000057092

Frame for screw fixings made of chromium nickel steel

MAXF60-60 2000057122

Shelf for frame, made of chromium nickel steel

MAXT60-60 2000057763



MAXIMA Commercial sink

Commercial sink for inset or wall mounting, stainless steel, surface satin finished, material thickness 1 mm, deep drawn seamless welded bowl, without overflow and 80 mm tap ledge, 1 1/2" waste with two part overflow tube consisting of perforated stainless steel tube and plastic tube, 100 mm rear upstand, wall mounting brackets optional, drilling holes for wall mounting prelasered.

Dimensions 700 x 432 x 600 mm (W x H x D)

MAXS100-70 2000057639

Optional accessories

Single bracket made of chromium nickel steel

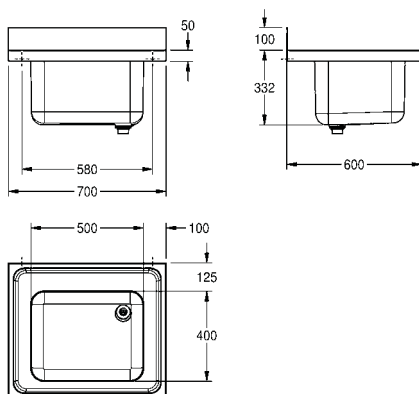
MAXB600 2000057092

Frame for screw fixings made of chromium nickel steel

MAXF70-60 2000057124

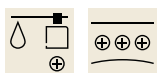
Shelf for frame, made of chromium nickel steel

MAXT70-60 2000100003



KWC MAXIMA commercial sinks, depth 600 mm

Type Article Number



MAXIMA Commercial sink

Commercial sink and underframe welded together, stainless steel, surface satin finished, material thickness 1 mm, two deep drawn seamless welded bowls, without overflow and 80 mm tap ledge, 1 1/2" waste with two part overflow tube consisting of perforated stainless steel tube and plastic tube, 100 mm rear upstand, underframe with 300 mm cover, feet 40 x 40 mm and height adjustable to 25 mm, cross stud on backside for better stability, drilling holes for wall mounting prelasered.

Dimensions 1200 x 432 x 600 mm (W x H x D)

MAXS200-120 2000057702

Optional accessories

Single bracket made of chromium nickel steel

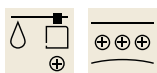
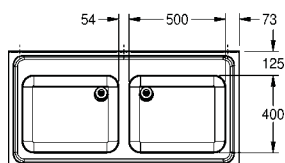
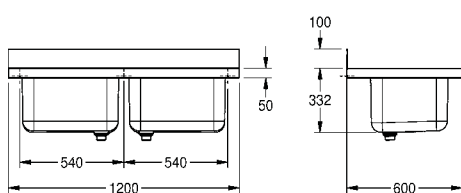
MAXB600 2000057092

Frame for screw fixings made of chromium nickel steel

MAXF120-60 2000057101

Shelf for frame, made of chromium nickel steel

MAXT120-60 2000057716



MAXIMA Commercial sink

Commercial sink for inset or wall mounting, stainless steel, surface satin finished, material thickness 1 mm, deep drawn seamless welded bowl, without overflow and 80 mm tap ledge, bowl left or right, 1 1/2" waste with two part overflow tube consisting of perforated stainless steel tube and plastic tube, drain board with raffle and slanted to bowl, drain board with reinforced stainless steel bracket, 100 mm rear upstand, wall mounting brackets optional, drilling holes for wall mounting prelasered.

Dimensions 1200 x 382 x 600 mm (W x H x D)

Drain board right

MAXS112-120 2000057641

Drip section left

MAXS117-120 2000057698

Optional accessories

Single bracket made of chromium nickel steel

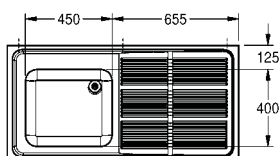
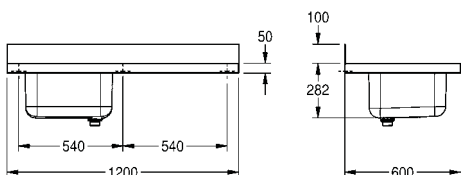
MAXB600 2000057092

Frame for screw fixings made of chromium nickel steel

MAXF120-60 2000057101

Shelf for frame, made of chromium nickel steel

MAXT120-60 2000057716



Commercial sinks made of stainless steel

KWC MAXIMA commercial sinks, depth 600 mm

Type **Article Number**



MAXIMA Commercial sink

Commercial sink for inset or wall mounting, stainless steel, surface satin finished, material thickness 1 mm, deep drawn seamless welded bowl with dimensions, without overflow and 80 mm tap ledge, bowl left or right, 1 1/2" waste with two part overflow tube consisting of perforated stainless steel tube and plastic tube, drain board with riffle and slanted to bowl, drain board with reinforced stainless steel bracket, 100 mm rear upstand, wall mounting brackets optional, drilling holes for wall mounting prelasered.

Dimensions 1400 x 432 x 600 mm (W x H x D)
Drain board right

MAXS112-140 2000057662

Drip section left

MAXS117-140 2000057700

Optional accessories

Single bracket made of chromium nickel steel

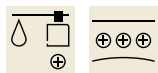
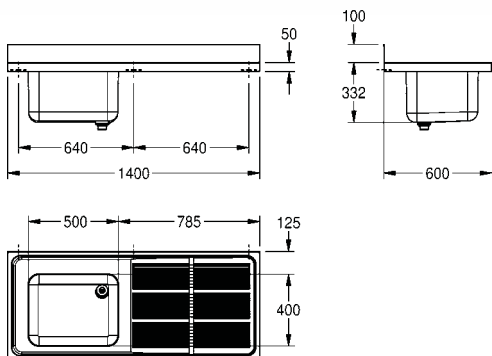
MAXB600 2000057092

Frame for screw fixings made of chromium nickel steel

MAXF140-60 2000057106

Shelf for frame, made of chromium nickel steel

MAXT140-60 2000057756



MAXIMA Commercial sink

Commercial sink for inset or wall mounting, stainless steel, surface satin finished, material thickness 1 mm, two deep drawn seamless welded bowls, without overflow and 80 mm tap ledge, bowls left or right, 1 1/2" waste with two part overflow tube consisting of perforated stainless steel tube and plastic tube, drain board with riffle and slanted to bowl, drain board with reinforced stainless steel bracket, 100 mm rear upstand, wall mounting brackets optional, drilling holes for wall mounting prelasered.

Dimensions 1600 x 382 x 600 mm (W x H x D)
Drain board right

MAXS212-160 2000057704

Drip section left

MAXS217-160 2000057708

Optional accessories

Single bracket made of chromium nickel steel

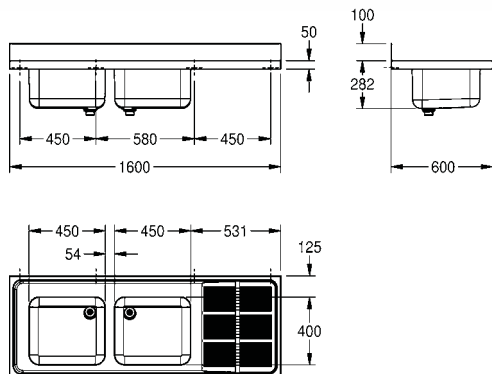
MAXB600 2000057092

Frame for screw fixings made of chromium nickel steel

MAXF160-60 2000057112

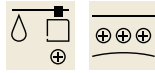
Shelf for frame, made of chromium nickel steel

MAXT160-60 2000057758



KWC MAXIMA commercial sinks, depth 600 mm

Type Article Number



MAXIMA Commercial sink

Commercial sink for inset or wall mounting, stainless steel, surface satin finished, material thickness 1 mm, two deep drawn seamless welded bowls, without overflow and 80 mm tap ledge, bowls left or right, 1 1/2" waste with two part overflow tube consisting of perforated stainless steel tube and plastic tube, drain board with riffle and slanted to bowl, drain board with reinforced stainless steel bracket, 100 mm rear upstand, wall mounting brackets optional, drilling holes for wall mounting prelasered.



Dimensions 2000 x 432 x 600 mm (W x H x D)
Drain board right

MAXS212-200 2000057706

Drip section left

MAXS217-200 2000057710

Optional accessories

Single bracket made of chromium nickel steel

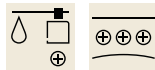
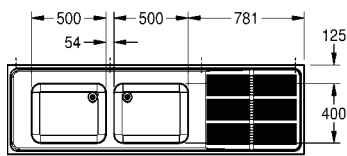
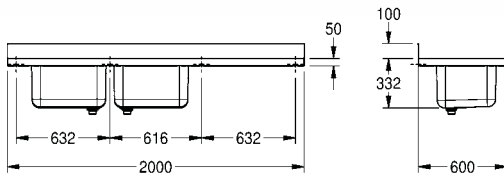
MAXB600 2000057092

Frame for screw fixings made of chromium nickel steel

MAXF200-60 2000057114

Shelf for frame, made of chromium nickel steel

MAXT200-60 2000057759



MAXIMA Commercial sink

Commercial sink and underframe welded together, stainless steel, surface satin finished, material thickness 1 mm, two deep drawn seamless welded bowls, without overflow and 80 mm tap ledge, 1 1/2" waste with two part overflow tube consisting of perforated stainless steel tube and plastic tube, drain board with riffle and slanted to bowl, storage board left or right, drain board on opposite side of storage board, drain board with reinforced stainless steel bracket, 100 mm rear upstand, underframe with 300 mm cover, feet 40 x 40 mm and height adjustable to 25 mm, cross stud on backside for better stability, drilling holes for wall mounting prelasered.



Dimensions 2600 x 432 x 600 mm (W x H x D)
Drain board right

MAXS222-260 2000057712

Drip section left / storage surface right

MAXS227-260 2000057714

Optional accessories

Single bracket made of chromium nickel steel

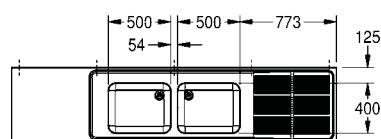
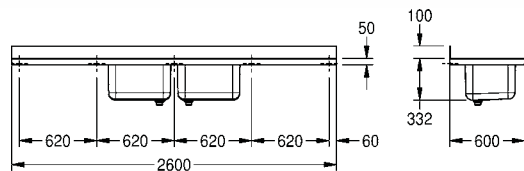
MAXB600 2000057092

Frame for screw fixings made of chromium nickel steel

MAXF260-60 2000057118

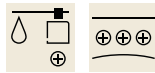
Shelf for frame, made of chromium nickel steel

MAXT260-60 2000057761



KWC MAXIMA commercial sinks, depth 700 mm

Type **Article Number**



MAXIMA Commercial sink

Commercial sink for inset or wall mounting, stainless steel, surface satin finished, material thickness 1 mm, deep drawn seamless welded bowl with dimensions, without overflow and 100 mm tap ledge, 1 1/2" waste with two part overflow tube consisting of perforated stainless steel tube and plastic tube, 100 mm rear upstand, wall mounting brackets optional, drilling holes for wall mounting prelasered.

Dimensions 700 x 432 x 700 mm (W x H x D)

MAXL100-70 2000057144

Optional accessories

Single bracket made of chromium nickel steel

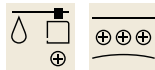
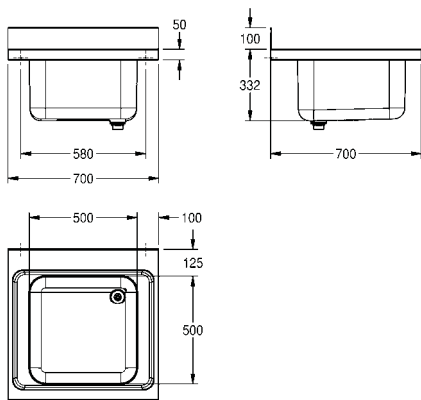
MAXB700 2000057094

Frame for screw fixings made of chromium nickel steel

MAXF70-70 2000057126

Shelf for frame, made of chromium nickel steel

MAXT70-70 2000100002



MAXIMA Commercial sink

Commercial sink for inset or wall mounting, stainless steel, surface satin finished, material thickness 1 mm, two deep drawn seamless welded bowls, without overflow and 100 mm tap ledge, 1 1/2" waste with two part overflow tube consisting of perforated stainless steel tube and plastic tube, 100 mm rear upstand, wall mounting brackets optional, drilling holes for wall mounting prelasered.

Dimensions 1200 x 432 x 700 mm (W x H x D)

MAXL200-120 2000057561

Optional accessories

Single bracket made of chromium nickel steel

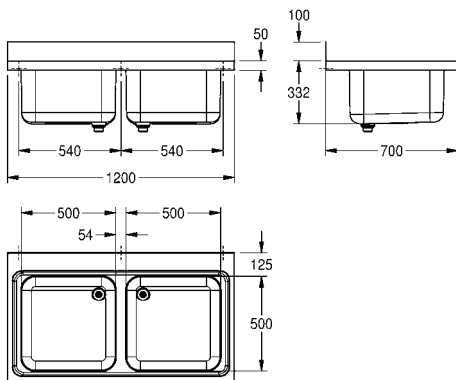
MAXB700 2000057094

Frame for screw fixings made of chromium nickel steel

MAXF120-70 2000057104

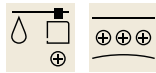
Shelf for frame, made of chromium nickel steel

MAXT120-70 2000057755



KWC MAXIMA commercial sinks, depth 700 mm

Type **Article Number**



MAXIMA Commercial sink

Commercial sink for inset or wall mounting, stainless steel, surface satin finished, material thickness 1 mm, deep drawn seamless welded bowl with dimensions, without overflow and 100 mm tap ledge, bowl left or right, 1 1/2" waste with two part overflow tube consisting of perforated stainless steel tube and plastic tube, drain board with riffle and slanted to bowl, drain board with reinforced stainless steel bracket, 100 mm rear upstand, wall mounting brackets optional, drilling holes for wall mounting prelasered.



Dimensions 1400 x 432 x 700 mm (W x H x D)
Drain board right

MAXL112-140 2000057159

Drip section left

MAXL117-140 2000057556

Optional accessories

Single bracket made of chromium nickel steel

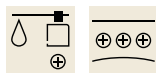
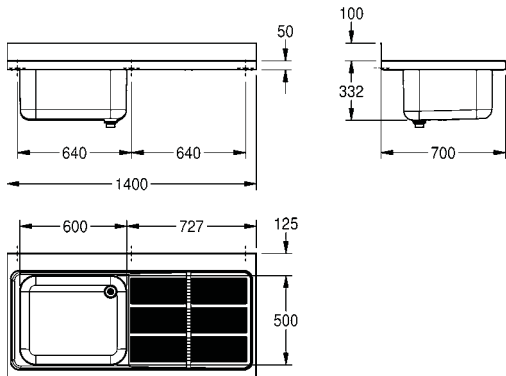
MAXB700 2000057094

Frame for screw fixings made of chromium nickel steel

MAXF140-70 2000057108

Shelf for frame, made of chromium nickel steel

MAXT140-70 2000057757



MAXIMA Commercial sink

Commercial sink for inset or wall mounting, stainless steel, surface satin finished, material thickness 1 mm, two deep drawn seamless welded bowls, without overflow and 100 mm tap ledge, bowls left or right, 1 1/2" waste with two part overflow tube consisting of perforated stainless steel tube and plastic tube, drain board with riffle and slanted to bowl, drain board with reinforced stainless steel bracket, 100 mm rear upstand, wall mounting brackets optional, drilling holes for wall mounting prelasered.



Dimensions 2000 x 432 x 700 mm (W x H x D)
Drain board right

MAXL212-200 2000057584

Drip section left

MAXL217-200 2000057586

Optional accessories

Single bracket made of chromium nickel steel

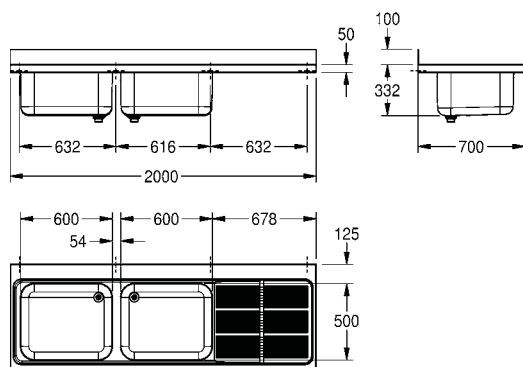
MAXB700 2000057094

Frame for screw fixings made of chromium nickel steel

MAXF200-70 2000057117

Shelf for frame, made of chromium nickel steel

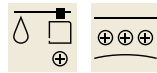
MAXT200-70 2000057760



Commercial sinks made of stainless steel

KWC MAXIMA commercial sinks, depth 700 mm

Type	Article Number
------	----------------



MAXIMA Commercial sink

Commercial sink and underframe welded together, stainless steel, surface satin finished, material thickness 1 mm, two deep drawn seamless welded bowls, without overflow and 100 mm tap ledge, 1 1/2" waste with two part overflow tube consisting of perforated stainless steel tube and plastic tube, drain board with riffle and slanted to bowl, storage board left or right, drain board on opposite side of drain board, drain board with reinforced stainless steel bracket, 100 mm rear upstand, underframe with 300 mm cover, feet 40 x 40 mm and height adjustable to 25 mm, cross stud on backside for better stability, drilling holes for wall mounting prelasered.



Dimensions 2600 x 432 x 700 mm (W x H x D)
Drain board left

MAXL227-260	2000057613
--------------------	------------

Optional accessories

Single bracket made of chromium nickel steel

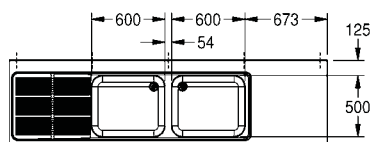
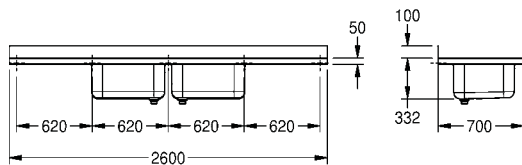
MAXB700	2000057094
----------------	------------

Frame for screw fixings made of chromium nickel steel

MAXF260-70	2000057120
-------------------	------------

Shelf for frame, made of chromium nickel steel

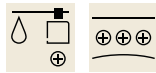
MAXT260-70	2000100004
-------------------	------------



KWC MAXIMA commercial sinks, depth 700 mm

Type

Article Number

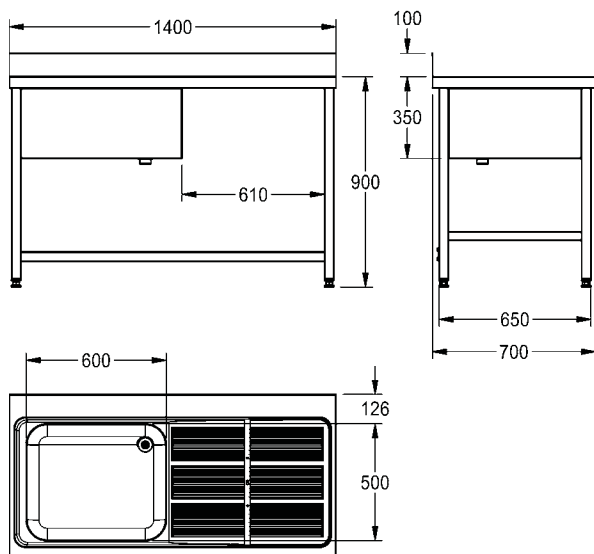


MAXIMA Commercial sink with frame

Commercial sink and underframe welded together, stainless steel, surface satin finished, material thickness 1 mm, deep drawn seamless welded bowl, without overflow and 80 mm tap ledge, 1 1/2" waste with two part overflow tube consisting of perforated stainless steel tube and plastic tube, drain board with riffle and slanted to bowl, drain board with reinforced stainless steel bracket, 100 mm rear upstand, underframe with 300 mm cover, cover with cut out for dishwasher, feet 40 x 40 mm and height adjustable to 25 mm, cross stud on backside for better stability, drilling holes for wall mounting prelasered.

Dimensions 1400 x 1000 x 700 mm (W x H x D)

MAXL140-70FDW 2000057560



Commercial sinks made of stainless steel



Emergency showers

Emergency showers are used in work areas where employees are at risk of injuries such as burns or contamination. Immediately applying unlimited amounts of water to the affected areas helps to limit the extent of the injuries in both the short and the long term.

The product range comprises of eye and face showers, body showers with draw bar operation, emergency shower valves and shower-heads in addition to the combination emergency shower.

Emergency showers

Eye wash and face wash fountains	402
Body showers with draw bar operation	404
Combined emergency showers	408
Emergency shower valves and showerheads	409
Accessories	410

KWC Eye wash and face wash fountains

Type	Article Number
------	----------------

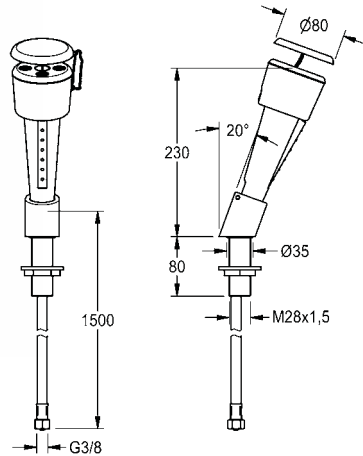


Eye- and face-wash fountain for table top installation

Eye-wash and face-wash fountain for table top installation with hand shower and hose with a stainless steel cover and table mounting. Meets the requirements of EN 15154-2 and ANSI Z358.1-2014. Green plastic hand shower, table mounting is brass, powder coated in white, dust protection cap with user instructions.

FAID100

2000101100

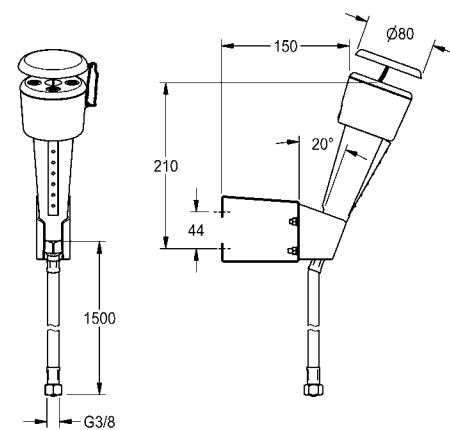


Eye- and face-wash fountain for wall mounting

Eye-wash and face-wash fountain for wall mounting with hand shower and hose with a stainless steel cover and wall-mounted holder. Meets the requirements of EN 15154-2 and ANSI Z358.1-2014. Green plastic hand shower, screw wall-mounted holder in plastic white, dust protection cap with user instructions.

FAID101

2000101101



KWC Eye wash and face wash fountains

Type	Article Number
------	----------------

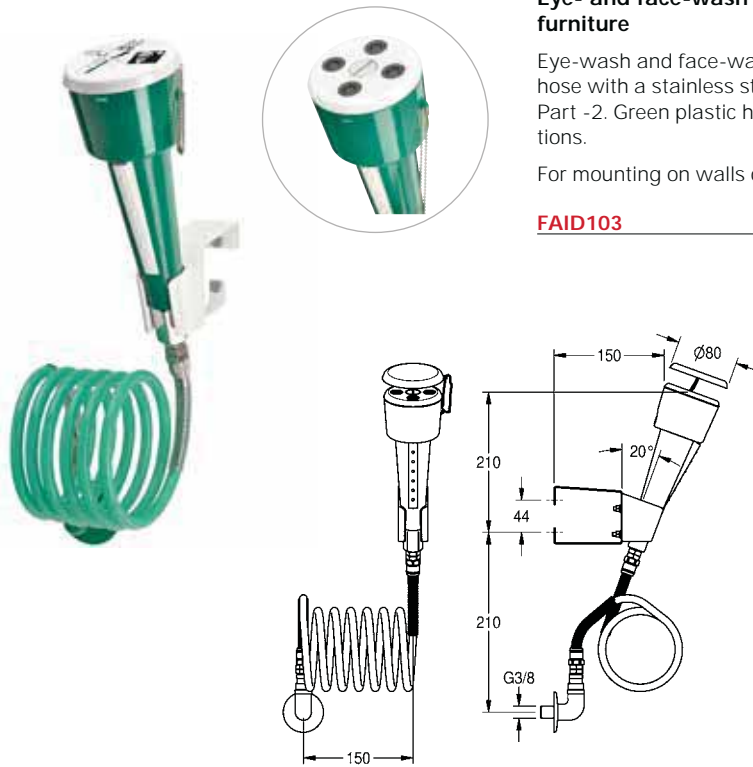
Eye- and face-wash fountain for mounting on walls or laboratory furniture

Eye-wash and face-wash fountain with green plastic hand shower and hose with a stainless steel cover. Meets the requirements of EN 15154, Part -2. Green plastic hand shower, dust protection cap with user instructions.

For mounting on walls or laboratory furniture, with spiral hose

FAID103

2000101102

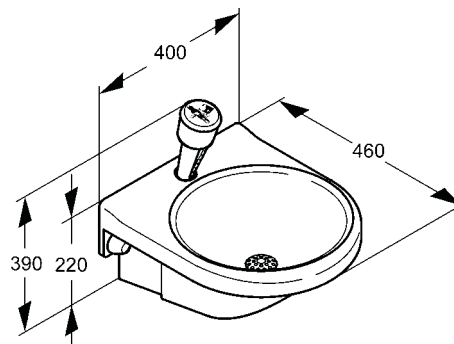


Eye- and face-wash fountain with water collection basin

Eye-wash and face-wash fountain with water collection basin made of green plastic with bracket for wall mounting. Hand shower with hose connection, Meets the requirements of EN 15154-2 and ANSI Z358.1-2014, green plastic housing, dust protection cap with user instructions. Mounting material included.

FAID108

2000101103



KWC Body showers with draw bar operation

Type Article Number



Emergency shower activated by a pull-rod with water supply from ceiling or from left or right

Pull-rod operated emergency shower, surface mounting near the door, with water supply from ceiling and operation with triangle handle right or water supply from both sides and operation left or right near the exit. Valve with wall bracket and emergency showerhead over the middle of the door.

Non-self-closing, the water flow is stopped by pushing up the pull rod, green EPS coating (RAL 6032), complies with EN 15154, Part 1. Includes the „emergency shower“ safety symbol on an adhesive label in compliance with ISO 3864, Part 1.

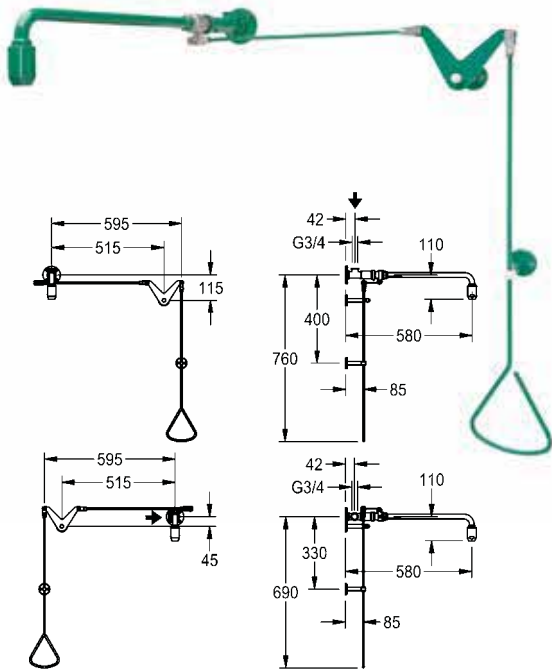
Volumetric flow rate approx. 65 l/min at 1 bar pressure, approx. 110 l/min at 3 bar pressure, water connection G 3/4.

FAID0003 2030019025

Optional accessories

Extension for coupling-rod and pull-rod for wide doors, length 500 mm

ZFAID0003 2030061050



Emergency shower activated by a pull-rod with water supply from the wall

Pull-rod operated emergency shower, for surface mounting next to doors, with water supply from the wall, valve operation with triangular handle to the right or the left of the exit. Valve with wall bracket and emergency showerhead over the middle of the door. Non-self-closing, the water flow is stopped by pushing up the pull rod, green EPS coating (RAL 6032), complies with EN 15154, Part 1, includes the „emergency shower“ safety symbol on an adhesive label in compliance with ISO 3864, Part 1 and user instructions.

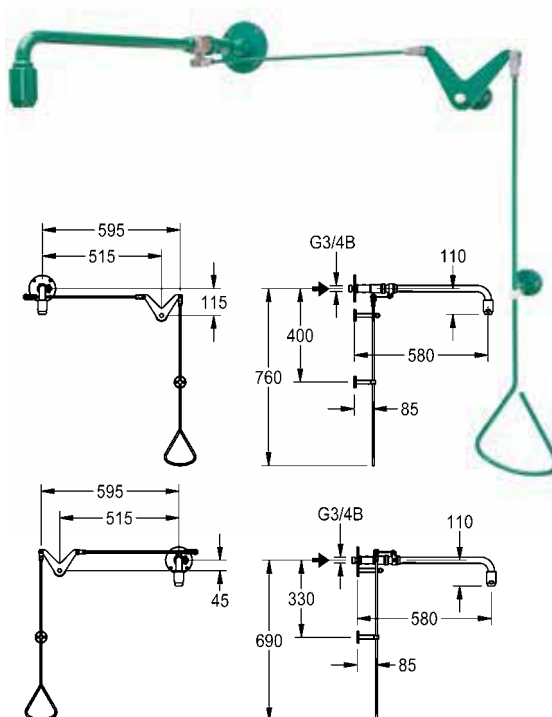
Volumetric flow rate approx. 65 l/min at 1 bar pressure, approx. 110 l/min at 3 bar pressure, water connection G 3/4 B.

FAID0004 2030019057

Optional accessories

Extension for coupling-rod and pull-rod for wide doors, length 500 mm

ZFAID0003 2030061050



KWC Body showers with draw bar operation



Type	Article Number
------	----------------

Emergency shower activated by a pull-rod with water supply from left or right

Pull-rod operated emergency shower, for surface mounting next to doors, with water supply from left or right, valve operated by triangular handle to the right or the left of the exit. Valve mounted to the side above the door, with wall bracket and emergency shower head over the middle of the door. Non-self-closing, the water flow is stopped by pushing up the pull rod, green EPS coating (RAL 6032), complies with EN 15154, Part 1, includes the „emergency shower“ safety symbol on an adhesive label in compliance with ISO 3864, Part 1 and user instructions.

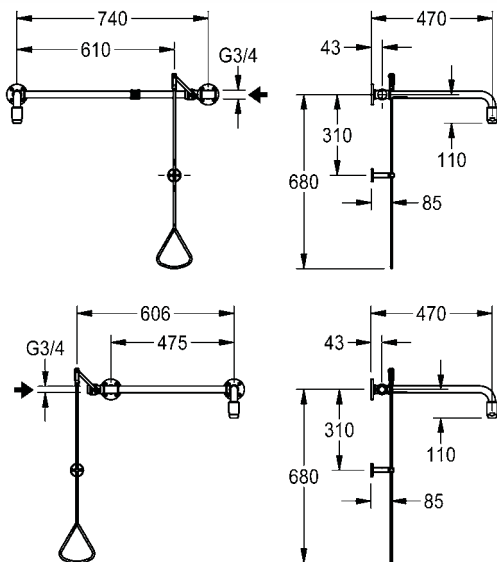
Volumetric flow rate approx. 65 l/min at 1 bar pressure, approx. 110 l/min at 3 bar pressure, water connection G 3/4.

FAID0005	2030019066
-----------------	------------

Optional accessories

Extension for coupling-rod and pull-rod for wide doors, length 500 mm

ZFAID0003	2030061050
------------------	------------



KWC Body showers with draw bar operation

Type	Article Number
------	----------------



Emergency shower activated by a pull-rod with water supply from the ceiling or from the right

Pull-rod operated emergency shower, for surface mounting, with water supply from the ceiling or from the right, valve operated by triangular handle. With wall bracket and emergency shower head. Non-self-closing, the water flow is stopped by pushing up the pull rod, green EPS coating (RAL 6032), complies with EN 15154, Part 1, includes the „emergency shower“ safety symbol on an adhesive label in compliance with ISO 3864, Part 1 and user instructions.

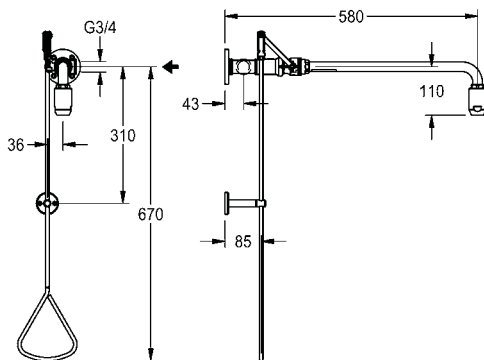
Volumetric flow rate approx. 65 l/min at 1 bar pressure, approx. 110 l/min at 3 bar pressure, water connection G 3/4.

FAID0006	2030019084
-----------------	------------

Optional accessories

Extension for coupling-rod and pull-rod for wide doors, length 500 mm

ZFAID0003	2030061050
------------------	------------



Emergency shower activated by a pull-rod with water supply from the wall

Pull-rod operated emergency shower, for surface mounting, with water supply from the wall and side connection (sealed with plug) for connecting an eye wash fountain, valve operated by triangular handle. With wall bracket and emergency shower head. Non-self-closing, the water flow is stopped by pushing up the pull rod, green EPS coating (RAL 6032), complies with EN 15154, Part 1, includes the „emergency shower“ safety symbol on an adhesive label in compliance with ISO 3864, Part 1 and user instructions.

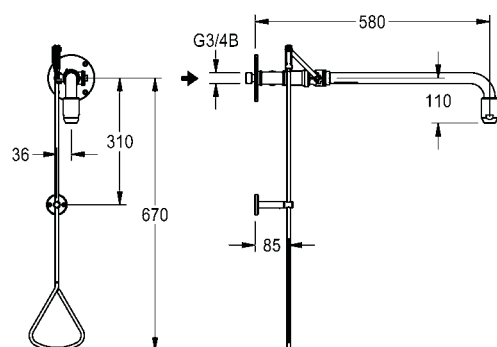
Volumetric flow rate approx. 65 l/min at 1 bar pressure, approx. 110 l/min at 3 bar pressure, water connection G 3/4 B.

FAID0007	2030019170
-----------------	------------

Optional accessories

Extension for coupling-rod and pull-rod for wide doors, length 500 mm

ZFAID0003	2030061050
------------------	------------



KWC Body showers with draw bar operation

Type	Article Number
------	----------------



Emergency shower activated by a pull-rod on connection piece

Pull-rod operated emergency shower, for surface mounting, on connection piece provided by the customer. Valve activated by triangular handle. With wall bracket and emergency shower head. Non-self-closing, the water flow is stopped by pushing up the pull rod, green EPS coating (RAL 6032), complies with EN 15154, Part 1, includes the „emergency shower“ safety symbol on an adhesive label in compliance with ISO 3864, Part 1 and user instructions.

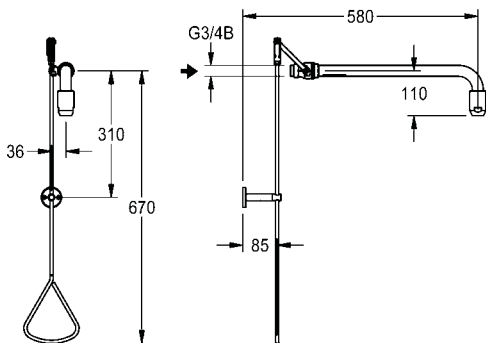
Volumetric flow rate approx. 65 l/min at 1 bar pressure, approx. 110 l/min at 3 bar pressure, water connection G 3/4 B.

FAID0008	2030019175
-----------------	------------

Optional accessories

Extension for coupling-rod and pull-rod for wide doors, length 500 mm

ZFAID0003	2030061050
------------------	------------



Emergency shower activated by a pull-rod for ceiling mounting

Pull-rod operated emergency shower, for ceiling mounting, with water supply from the ceiling, valve operated by triangular handle, shower pipe with horizontal offset so that the handle is outside the water spray. Non-self-closing, the water flow is stopped by pushing up the handle. With wall bracket and emergency shower head, green EPS coated (RAL 6032). Complies with EN 15154, Part 1. Includes the „emergency shower“ safety symbol on an adhesive label in compliance with ISO 3864, Part 1 and user instructions.

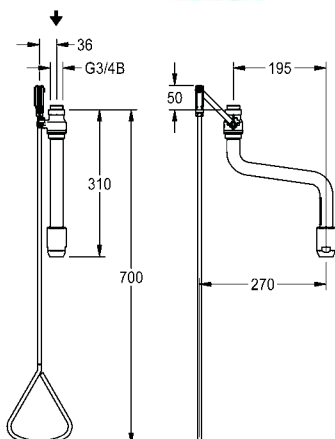
Volumetric flow rate approx. 65 l/min at 1 bar pressure, approx. 110 l/min at 3 bar pressure, water connection G 3/4 B.

FAID0009	2030019182
-----------------	------------

Optional accessories

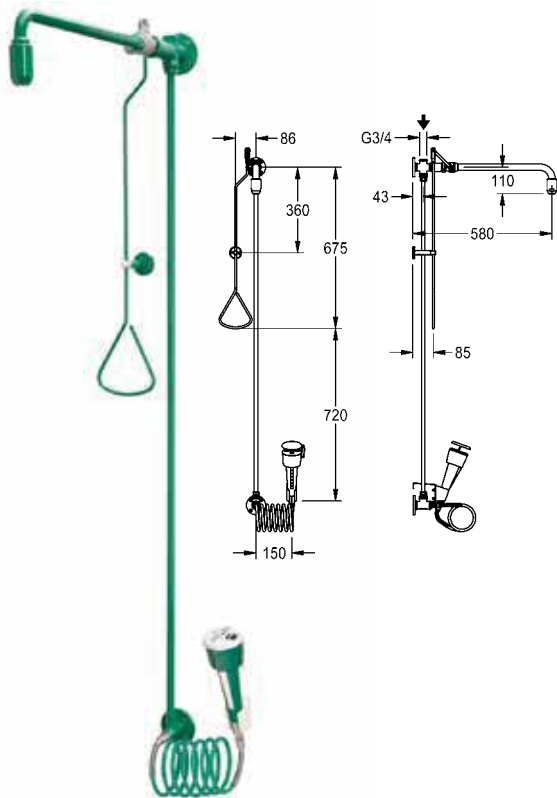
Extension for coupling-rod and pull-rod for wide doors, length 500 mm

ZFAID0003	2030061050
------------------	------------



KWC Combined emergency showers

Type	Article Number
------	----------------



Emergency combined body shower for water supply from the ceiling

Combined emergency body shower and eye-wash fountain, for surface mounting, for water supply from the ceiling. Can be used independently of each other. Valve operation of shower head by triangular handle, hand shower operated by pressing the white trigger button. Neither function self-closing. Water flow stopped by pushing the pull rod up or, with the eye-wash fountain, by pressing the red water stop button. Wall bracket and emergency shower head. Eye-wash fountain with device for precise positioning, inclined 20° forward, with spiral hose for flexible or stationary use. With an integrated flow regulator for a constant water spray height, return flow inhibitor, grit filter and dust cap with user instructions. Surface body shower, green EPS coated (RAL 6032), eye-wash fountain, plastic, green with white trigger button. Complies with EN 15154, Parts 1 and 2, includes the „emergency shower“ and „eye washing facility“ safety symbol on an adhesive label in compliance with ISO 3864, Part 1.

Volumetric flow rate body shower: approx. 65 l/min at 1 bar pressure, approx. 110 l/min at 3 bar pressure

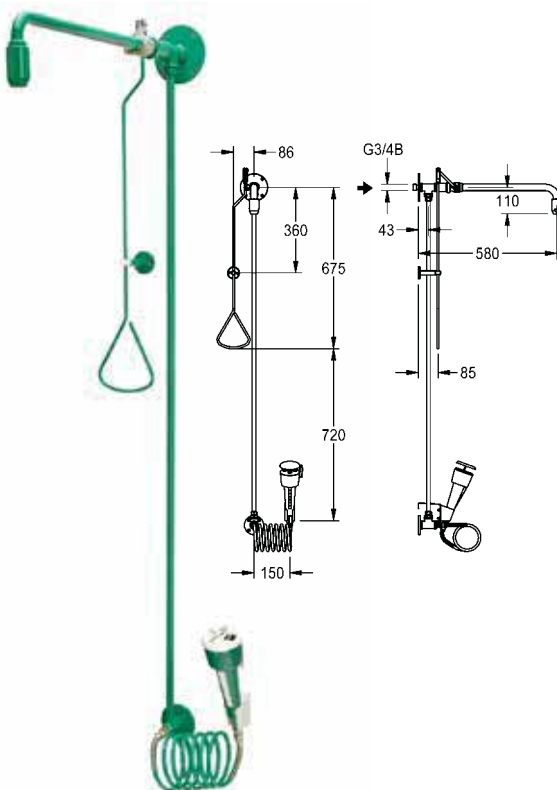
Volume flow rate eye-wash fountain: 9 l/min from 1 bar pressure upwards
Water connection: G 3/4

FAID0010 2030019212

Optional accessories

Extension for coupling-rod and pull-rod for wide doors, length 500 mm

ZFAID0003 2030061050



Emergency combined body shower for water supply from the wall

Combined emergency body shower and eye-wash fountain, for surface mounting, for water supply from the wall. Can be used independently of each other. Valve operation of showerhead by triangular handle, hand shower operated by pressing the white trigger button. Neither function self-closing. Water flow stopped by pushing the pull rod up or, with the eye-wash fountain, by pressing the red water stop button. Wall bracket and emergency shower head. Eye-wash fountain with device for precise positioning, inclined 20° forward, with spiral hose for flexible or stationary use. With an integrated flow regulator for a constant water spray height, non-return valve, grit filter and dust cap with user instructions. Surface body shower, green EPS coated (RAL 6032), eye-wash fountain, plastic, green with white trigger button. Complies with EN 15154, Part 1 and 2, includes the „emergency shower“ and „eye washing facility“ safety symbol on an adhesive label in compliance with ISO 3864, Part 1.

Volumetric flow rate body shower: approx. 65 l/min at 1 bar pressure, approx. 110 l/min at 3 bar pressure

Volume flow rate eye-wash fountain: 9 l/min from 1 bar pressure upwards
Water connection: G 3/4 B

FAID0011 2030019221

Optional accessories

Extension for coupling-rod and pull-rod for wide doors, length 500 mm

ZFAID0003 2030061050

KWC Emergency shower valves and showerheads

Type	Article Number
------	----------------



Emergency shower valve for surface mounting

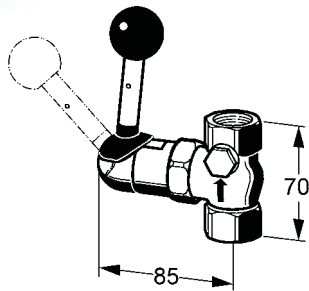
Emergency shower valve DN 20 for surface mounting, with drain hole, sealed with plug, tilt lever with ball handle, not self-closing. Includes the „emergency shower“ safety symbol on an adhesive label in compliance with ISO 3864, Part 1 and user instructions. Green EPS coated brass (RAL 6032). Meets the requirements of EN 15154, Part 1. Volumetric flow unimpeded approx. 60 l/min at 1 bar pressure. Connection G 3/4

FAID675	2000101127
----------------	------------

Optional accessories

Wall arm with rosette for DN 20 emergency showerhead

ZFAID0001	2030018827
------------------	------------



Emergency shower valve for surface mounting

Emergency shower valve DN 20 for surface mounting with rosette, with drain hole, sealed with plug, tilt lever with ball handle, not self-closing. Includes the „emergency shower“ safety symbol on an adhesive label in compliance with ISO 3864, Part 1 and user instructions, green EPS coated brass (RAL 6032). Meets the requirements of EN 15154, Part 1. Volumetric flow unimpeded approx. 60 l/min at 1 bar pressure.

Installation depth 35 - 60 mm, connection G 3/4

FAID676	2000101128
----------------	------------

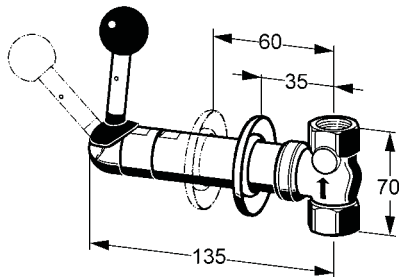
Installation depth 35-95 mm

FAID677	2000101129
----------------	------------

Optional accessories

Wall arm with rosette for DN 20 emergency showerhead

ZFAID0001	2030018827
------------------	------------



Emergency showerhead

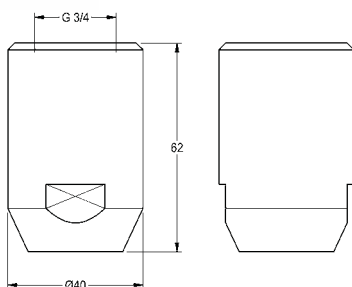
Emergency shower head DN 20, self-draining, green EPS coated brass (RAL 6032). Complies with EN 15154, Part 1. Volumetric flow rate approx. 65 l/min at 1 bar pressure, volumetric flow rate approx. 110 l/min at 3 bar pressure.

FAID0001	2030018810
-----------------	------------

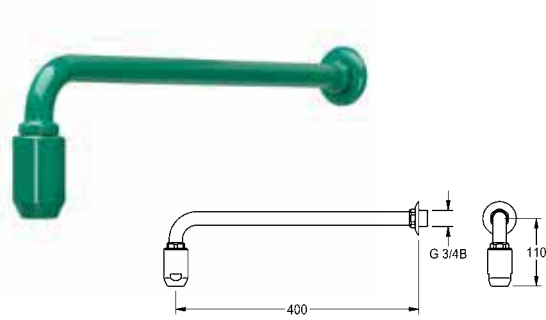
Optional accessories

Wall arm with rosette for DN 20 emergency showerhead

ZFAID0001	2030018827
------------------	------------



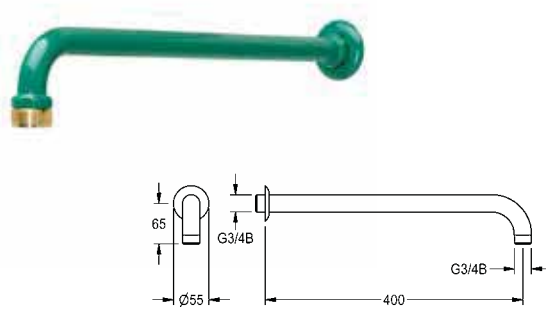
Type	Article Number
------	----------------



Emergency showerhead with wall bracket

Emergency shower head DN 20 with wall bracket and rosette, self-draining, green EPS coated brass (RAL 6032). Complies with EN 15154, Part 1. Volumetric flow rate approx. 65 l/min at 1 bar pressure, volumetric flow rate approx. 110 l/min at 3 bar pressure.

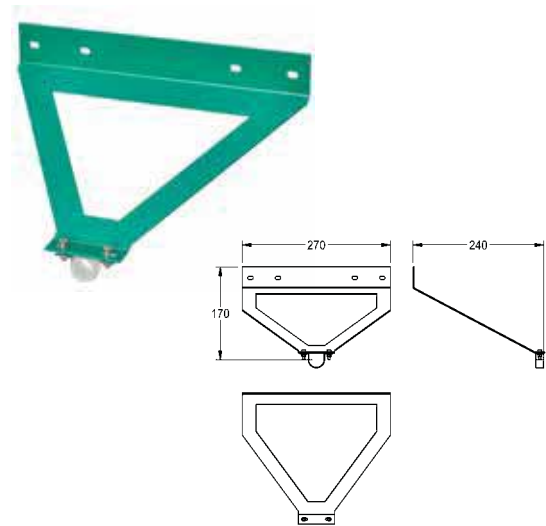
FAID0002	2030018821
-----------------	------------



Wall arm

Wall bracket with rosette for emergency shower head DN 20, green EPS coated brass (RAL 6032).

ZFAID0001	2030018827
------------------	------------

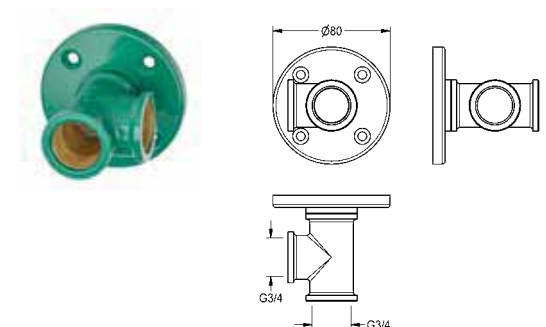


Wall arm holder

Wall arm holder for DN 20 emergency shower wall arm for installation in lightweight walls or as protection from vandals, powder-coated steel sheet, green (RAL 6032).

Dimensions 270 x 170 x 240 mm (W x H x D)

ZFAID700	2030060157
-----------------	------------



Wall connecting piece

Wall connection piece for wall-bracket mounting and connection to emergency shower valve for surface mounting, 4 screw mounting, green EPS coated brass (RAL 6032).

For wall bracket DN 20, connection G 3/4 x G 3/4

ZFAID694	2000101156
-----------------	------------



Type	Article Number
------	----------------

Safety label emergency shower

„Emergency shower“ safety symbol for body showers on an adhesive label in compliance with ISO 3864, Part 1, green/white, 105 x 130 mm (W x H).

FAID904	2000101152
----------------	------------



Safety label eye-washing facility

„Eye washing facility“ safety symbol for eye-wash and face-wash fountains on an adhesive label in compliance with ISO 3864, Part 1, green/white, 105 x 130 mm.

FAID903	2000101153
----------------	------------



Accessories and functional parts

The KWC Professional product range comprises a comprehensive assortment of special tools and corresponding spare parts for the taps, shower and flushing controls.

Special tools, functional parts

Special tools	414
Solenoid valve cartridges	415
Functional parts	416
Cleaning product	421

KWC Special tools



Type	Article Number
------	----------------

Retaining ring

Face wrench, adjustable

ZAQUA093	2000102690
--------------------------	------------



Electronic side cutter

Electronic side cutter

ZFITG0005	2000110478
---------------------------	------------



Hexagonal socket wrench

Hexagonal socket wrench 22 x 24

ZFITG0003	2000106127
---------------------------	------------



Screwdriver

Screwdriver, blade with 3 mm

ZFITG0001	2000103570
---------------------------	------------



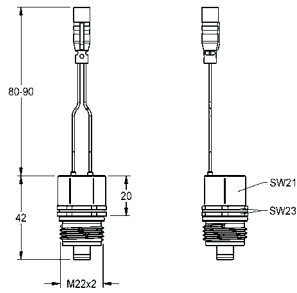
Hexagon socket screw key 1,5 mm

Hexagon socket screw key 1,5 mm

ZFITG0006	2000110479
---------------------------	------------

KWC Solenoid valve cartridges

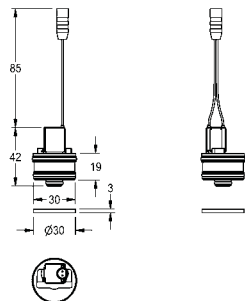
Type	Article Number
------	----------------



Solenoid valve cartridge

Solenoid valve cartridge DN 5, bistable, with waterproof plug and grit filter, 6 V DC.

ACXX9002	2030045522
-----------------	------------



Bypass solenoid valve cartridge

Bypass solenoid valve cartridge bistable with waterproof plug and grit filter as a retrofitting/spare parts set for thermostatic mixer with function block, for performing thermal disinfections, 6 V DC.

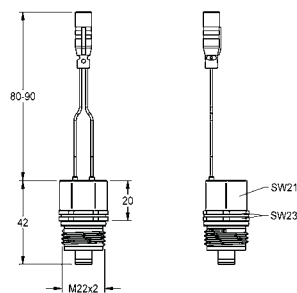
ZAQCT0002	2000109499
------------------	------------



Bypass solenoid valve cartridge

Bypass solenoid valve cartridge with waterproof plug and grit filter as a retrofitting/spare parts set for AQUALINE-Therm and AQUATIMER - A3000 open fittings with thermostatic mixer and function block, for performing thermal disinfections. Operating voltage 24 V DC.

ZAQUA015	2000100431
-----------------	------------

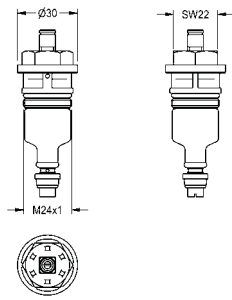


Solenoid valve cartridge

Bypass solenoid valve cartridge with waterproof plug and grit filter as a retrofitting set for performing thermal disinfections, 24 V DC.

ZCTRL0001	2000111145
------------------	------------

KWC Functional parts



Type	Article Number
------	----------------

Functional part

Functional part for wash fittings / urinal flush valves, colour identification yellow.

ETAPS0001	2000104372
------------------	------------



Functional part

Functional part for AQUALINE pillar and bib taps.

EAQLN0002	2000104375
------------------	------------



Functional part

Functional part for AQUAMIX self-closing single mixer as pillar tap, version until 1994.

EAQMX0001	2000104377
------------------	------------



Functional part

Functional part for wash taps AQUALINE S, AQUALINE C, AQUAMIX S and AQUAMIX C.

ETAPS0002	2000104357
------------------	------------



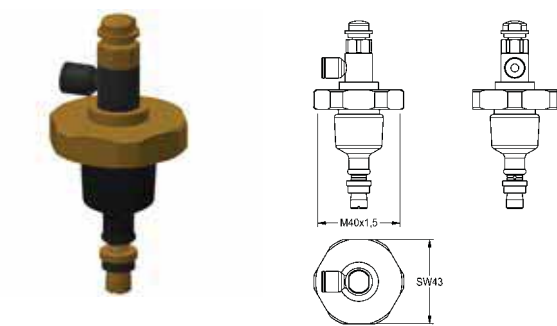
Head part

Head part for self-closing valves **DN 15**, for washing facilities

ETAPS0003	2000104376
------------------	------------

DN 20

ETAPS0013	2000104402
------------------	------------



Type	Article Number
Head part	
Head part for self-closing valve DN 15 with remote control.	
ETAPS0007	2000104387
DN 20	
ETAPS0008	2000104388
DN 15 for AQUALINE	
EAQLN0005	2000104403



Ceramic cartridge	
Ceramic disc cartridge with thermostatic scald-protection, permanently adjusted for 41 °C , complete with threaded ring, for AQUAFIT single lever mixer.	
EAQFT0002	2030008760
Ceramic disc cartridge, permanently adjusted for maximum 38° C	
EAQFT0007	2030017123



FRAMIC self-closing cartridge	
FRAMIC self-closing cartridge for F5S self-closing pillar tap and F5S-Therm self-closing thermostatic mixer.	
ASSX9001	2030046145

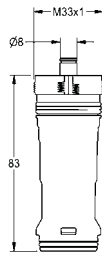


FRAMIC self-closing mixing cartridge	
FRAMIC self-closing mixing cartridge for F5S-Mix self-closing wall mixer and self-closing in-wall mixer.	
ASSM9001	2030046185



FRAMIC self-closing mixing cartridge	
FRAMIC self-closing mixing cartridge for F5S-Mix self-closing pillar mixer.	
ASSM1001	2030046146

KWC Functional parts

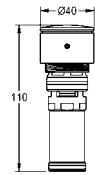


Type	Article Number
------	----------------

Self-closing cartridge

Self-closing cartridge DN 15 as spare part set for F3 pillar and wall valves and pillar batteries (version from 2017 - 2023) consisting of functional part, inner housing part and threaded ring.

ASSX1010	3600005964
-----------------	------------



Functional part

Functional part with anti-blocking system ABS2 for safety shutdown if the tap is operated continuously for AQUALINE-S wash taps and F3S pillar and bib taps and stand mixers. Flow time adjustable.

ASSV1005	2030049138
-----------------	------------



Head part

Head part for self-closing valves **DN 15**, for shower fittings.

ESHOW002	2000104353
-----------------	------------

DN 20

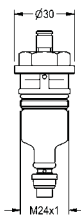
ESHOW006	2000104373
-----------------	------------



Functional element

Functional part for AQUAMIX self-closing single mixer as shower fitting, version until 1996.

ESHOW003	2000104354
-----------------	------------



Functional part

Functional part for shower fittings, colour identification blue.

ESHOW001	2000104352
-----------------	------------

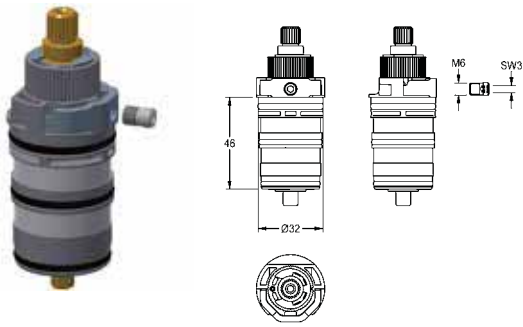
KWC Functional parts

Type	Article Number
------	----------------

Thermostatic cartridge

Thermostatic cartridge with temperature handle with wing.

ASXT2002	2030061611
-----------------	------------



Ceramic disc cartridge with thermostatic scald-protection

Ceramic disc cartridge with thermostatic scald-protection, permanently set to 43 °C, for F5L-Mix single lever mixer for shower facilities.

ASLM2004	2030042712
-----------------	------------



Thermocouple

Thermocouple complete, with non-rising spindle

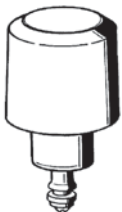
ESHOW0065	2030050499
------------------	------------



Head part

Head part for WC flush valve DN 20, from modell year 1983

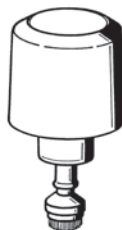
EFLSY0002	2000104380
------------------	------------



Head part

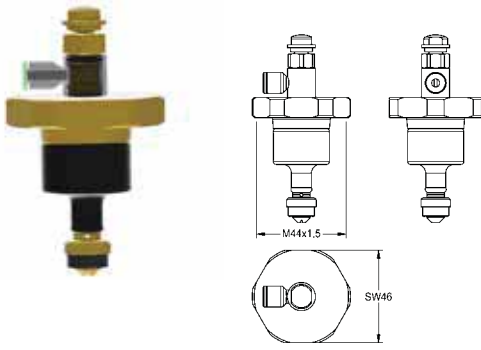
Head part for WC flush valve DN 20 with noise group I, modell AQUAREX 85

AQRM924	2000104396
----------------	------------



KWC Functional parts

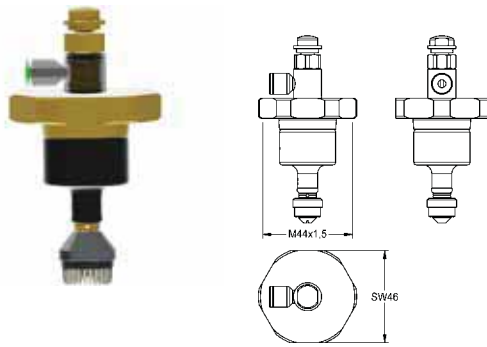
Type	Article Number
------	----------------



Head part

Head part for WC flush valve DN 20 with remote control

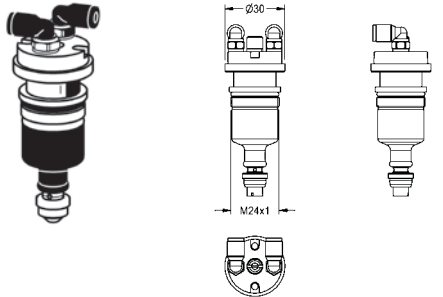
EFLSY0005	2000104389
------------------	------------



Head part

Head part for WC flush valve DN 20 with remote control and noise group I.

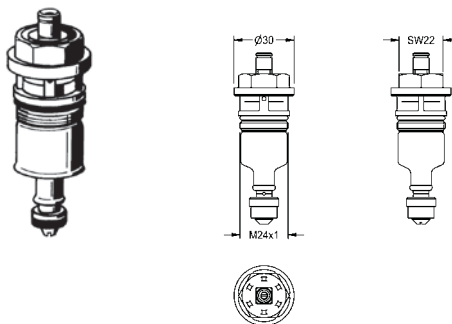
EFLSY0004	2000104384
------------------	------------



Functional part

Complete self-closing cartridge element, for AQUALINE urinal flush valves with remote control, 2002 and newer.

EFLSY0036	2000105612
------------------	------------



Functional part

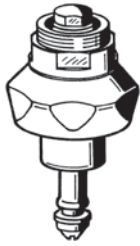
Functional part for AQUALINE WC flush valve **DN 20**.

EAQLN0001	2000104374
------------------	------------

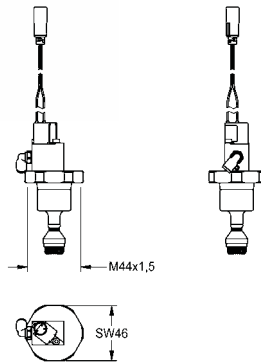
DN 15

EAQLN0004	2000104394
------------------	------------

KWC Functional parts and cleaning product



Type	Article Number
Head part	
Head part for solenoid self-closing valve DN 15	
EFITG0007	2000104398



Head part	
Head part for WC flush valve with noise group I, with solenoid valve and connection adapter, 24 V DC.	
EFLSY0016	2000104418



Cleaning product CHROMOL	
Cleaning product CHROMOL 0,5 l	
ZWSPL0023	2000105091
Stainless steel care set consisting of: 1 coarse sanding sponge, 1 fine sanding sponge and 1 pump sprayer CHROMOL stainless steel care product.	
ZWSPL0024	2000109019

Polishing tool	
Polishing agent for MIRANIT / ROTOLITH products with a gel coat surface (shiny), contents 125 ml.	
ZWSPL0025	2000110575

An aerial photograph of a large industrial complex, likely a KWC facility, featuring several large, interconnected buildings with flat roofs. The complex is surrounded by trees and parking areas with several vehicles. In the background, a tall, thin tower is visible against a cloudy sky. A semi-transparent teal rectangular box is overlaid on the top-left portion of the image, containing the KWC logo and promotional text.

KWC

Professional

We support your
project

Experience perfection

Contacts, Type index, general terms and conditions

- Would you like to contact your regional adviser?
- Are you looking for a product based on an exact model name?
- Do you want to know more about our general terms and conditions?

You will find the answers here.

General information

Contacts KWC Professional	424
Type index	426
General terms and conditions	439

Hungary

KWC Aquarotter GmbH
Sales Representative:
Andrea Frank
Mobile +36 209106460
kwc.hungary1@gmail.com
Sándor Rostás
Mobile +36 209607612
kwc.hungary@rollingson.hu

Lithuania, Latvia

KWC Aquarotter GmbH
Sales Representative:
Julijus Neufeld
Phone +370 68573525
j.neufeld@vic.lt

Romania

KWC Aquarotter GmbH
Sales Representative:
Sebastian Banc
Phone +40 745657459
kwc.professional.romania@gmail.com

Serbia and Montenegro

Mondo Casa d.o.o.
Branka Tepavcevic
Phone +381 113341279
Mobile +381 605007591
bgbranka@gmail.com

Ukraine

KWC Aquarotter GmbH
Sales Representative:
Pavel Zhmyria
Mobile +38 0685676864
kwc.ukraine@gmail.com

Rest East Europe

KWC Aquarotter GmbH
Patrick Hetmanski
Phone +49 3378 818 261
patrick.hetmanski@kwc.com

Company data KWC Professional

KWC Aquarotter GmbH
Parkstrasse 1 - 5
14974 Ludwigsfelde
www.kwc-professional.com



Type index

Type	Item Number	Page
A		
A3OP0003	2030061587	221
A3OP0004	2030061589	221
ACBX9002	2030041606	159, 231, 338, 353
ACDR0001	2030052329	321
ACDR0002	2030052330	321
ACDR0003	2030052331	321
ACDR0004	2030052332	321
ACDR0005	2030052333	321
ACEF3001	2030056786	219, 225
ACEF3002	2030067532	226
ACEF3003	2030070859	226, 227
ACEF3004	2030072412	226, 227
ACEF4003	2030067649	220, 230, 231
ACEM1001	3600000504	39, 40, 41, 220
ACEM1002	3600000505	39, 40, 41, 220
ACET1001	2030041914	219
ACET1002	2030041915	30, 219
ACET1003	2030041916	30, 219
ACET1004	2030041917	30, 219
ACET2001	2030041918	149, 177, 178, 179, 180, 181, 182, 183, 219
ACET2006	2030052502	199
ACET9001	2030039541	146
ACET9002	2030044782	30
ACET9003	3600008377	29, 147
ACEV1001	2030043823	45
ACEV1002	2030065092	31, 219
ACEV1004	2030068759	17, 19
ACEV2004	2030049353	148, 149
ACEV2005	2030058735	199
ACEX1001	2030040334	24, 25, 26, 27, 60
ACEX1002	2030041520	25, 27, 219
ACEX1004	2030059118	25, 27, 219
ACEX1007	3600004310	17, 19
ACEX1008	3600004311	18, 20
ACEX1009	3600004313	18, 20
ACEX9001	2030039477	17, 18, 19, 20, 25, 27, 30, 31, 39, 40, 41, 45, 47, 63, 148, 149, 158, 165, 167, 169, 170, 172, 174, 176, 177, 178, 179, 180, 181, 182, 183, 184, 186, 188, 190, 192, 209, 225, 226, 227, 230, 231, 235
ACEX9003	2030039825	17, 18, 19, 20, 30, 37, 39, 40, 41, 225, 230
ACEX9004	2030036849	58, 59, 63, 80, 114, 128, 209, 234
ACEX9005	2030036654	58, 59, 63, 80, 114, 128, 209, 233, 234, 321

Type	Item Number	Page
ACEX9006	2030041919	219, 220
ACEX9007	2030041920	219, 220
ACEX9010	2030043814	17, 18, 19, 20, 24, 25, 26, 27, 28, 30, 31, 39, 40, 41, 44, 45, 46, 47, 48, 49, 50, 148, 149, 158, 165, 167, 169, 170, 172, 174, 176, 177, 178, 179, 180, 181, 182, 183, 184, 186, 188, 190, 192, 225, 226, 227, 230, 231
ACEX9013	2030056669	219, 220
ACEX9020	3600001331	17, 18, 19, 20, 62
ACEX9022	3600002062	17, 18, 19, 20, 37, 39, 40, 41, 62
ACEX9023	3600002063	17, 18, 19, 20, 31, 37, 39, 40, 41, 62, 148, 149, 158, 165, 167, 169, 170, 172, 174, 176, 177, 178, 179, 180, 181, 182, 183, 184, 186, 188, 190, 192, 208, 225, 226, 227, 230, 231, 234
ACLM1009	2030041324	32, 33, 36, 112, 116
ACLM1010	2030041325	32, 33, 36, 60
ACLM2001	2030041526	153
ACLM2002	2030044779	152, 153
ACLM2003	2030057065	185, 187, 189, 191, 193
ACLT9001	3600003861	35, 151
ACLX1001	2030068985	37
ACLX1003	2030068986	37
ACLX1005	2030068987	37
ACLX1007	2030068988	37
ACSF4001	2030068181	354
ACSM2001	2030044781	141, 345
ACSM2002	2030046031	157
ACST2001	2030041523	145
ACST2004	2030057064	166, 168, 171, 173, 175, 347
ACST9002	3600008376	23, 142, 143
ACSV1001	2030041946	42
ACSV2001	2000105938	154
ACSV2002	2030060823	155
ACSX1001	2030041519	21, 60
ACSX2001	2030039555	154, 156, 200, 201
ACSX2002	2030041522	140, 141, 142, 150, 151, 200, 201
ACXF3001	2030071742	235
ACXF3002	2030071743	235
ACXF4002	2030068209	352
ACXF4003	3600003801	352

Type index

Type	Item Number	Page	Type	Item Number	Page
ACXM1001	2000109145	28, 40, 48	AL300HD	2000056718	299, 365
ACXM1002	2030058762	54, 55	ALIO320	2000101444	343
ACXM1003	2030058826	54, 55	ALIO325	2000101446	343
ACXM1004	2030059971	54, 55	ALIO330	2000101445	342
ACXT2001	2030057940	165, 166, 167, 169, 170, 172, 174, 176, 177, 178, 179, 180, 181, 182, 183	ALIO335	2000101447	342
ACXT2003	2030063990	349	ANMT2001	2030054380	89
ACXT2005	2030071564	144, 145, 149	ANMT2002	2030054381	89
ACXT9001	2030067889	144, 145, 148, 149, 158	ANMT4001	2030054382	88
ACXX1001	2030035383	21, 24, 25, 26, 27, 28, 43	ANMT4002	2030054383	88
ACXX1002	2030041326	61	ANMW0001N	2030073252	90, 125
ACXX1008	2030071655	337, 338, 339	ANMW0003N	2030073250	90, 125
ACXX1009	2030071654	337, 338, 339	ANMW0010N	2030073251	90
ACXX1010	2030071663	337, 338, 339	ANMW0036	2030058091	58, 59, 93
ACXX2003	2030041525	146, 200, 201	ANMW0038	2030070763	118
ACXX2004	2030041561	140, 141, 142, 146, 150, 154, 156, 206	ANMW0039	2030070764	119
ACXX2005	2030050434	140, 141, 142, 146, 150, 151, 154, 156, 206	ANMW0040	2030072426	119
ACXX2006	2030050435	140, 141, 142, 146, 150, 151, 154, 156, 206	ANMW0041	2030072427	119
ACXX2007	2030051216	115, 117, 140, 142, 143, 147, 150, 151, 156, 169, 176, 179, 183, 203	ANMW0042	2030072428	118
ACXX2008	2030051217	115, 117, 140, 142, 143, 147, 150, 151, 156, 169, 176, 179, 183, 203	ANMW0043	2030072429	119
ACXX2009	2030068123	117	ANMW0044	2030072430	122
ACXX2011	2030057066	205	ANMW0045	2030072431	122
ACXX2012	2030057067	205	ANMW0046	2030070523	120
ACXX2013	2030057068	205	ANMW0047	2030070524	121
ACXX2014	2030057069	205	ANMW0048	2030072432	120
ACXX2015	2030057070	205	ANMW0049	2030072433	121
ACXX2016	2030057071	205	ANMW0050	2030072434	120
ACXX2017	2030057072	205	ANMW0051	2030072435	121
ACXX2018	2030057073	205	ANMW0052	2030072436	120
ACXX2019	2030057075	205	ANMW0053	2030072437	121
ACXX2020	2030057076	205	ANMW0054	2030072438	122
ACXX2021	2030057077	160, 161, 165, 166, 167, 168, 169, 177, 178, 179, 184, 185, 186, 187, 194, 205	ANMW0055	2030072439	122
ACXX2023	2030068175	351	ANMW0056	2030072440	123
ACXX9001	2030041416	43, 156	ANMW0057	2030072441	123
ACXX9002	2030045522	30, 415	ANMW210	2000090004	94
			ANMW211	2000090005	94
			ANMW220	2000090006	94
			ANMW221	2000090007	94
			ANMW230	2000090008	95
			ANMW231	2000090009	95
			ANMW322	2000106177	383
			ANMW323	2030006863	383
			ANMW410	2000090010	92
			ANMW411	2000090011	92
			ANMW416	2000101159	92
			ANMW417	2030036243	92
			ANMW420	2000090012	93
			ANMW421	2000090013	93
			ANMW430	2000090014	93
			ANMW431	2000090015	93
			ANMW500	2030020956	102, 126
			ANMW501	2030020958	102, 126
			ANMW502	2030020959	102, 126
			ANMW503	2030020961	102, 126

Type index

Type	Item Number	Page	Type	Item Number	Page
ANMW504	2030020962	102, 126	AQFX0004	2030019974	246, 248, 249
ANMW505	2030020963	102, 126	AQFX0006	2030020126	233, 247
ANMX30U	213.0648.990	77	AQFX0007	2030020128	233, 248
ANMX32L	213.0651.857	75	AQFX0011	2030072936	354
ANMX33L	213.0649.011	76	AQFX0012	3600005980	229, 230, 246, 353
ANMX35L	2030072219	75	AQFX0013	3600005981	229, 230, 246, 353
ANMX206	2000101025	72	AQLN0006	2000107414	225
ANMX210	2000056723	68, 71	AQRM176	2000101062	48
ANMX216	2000101028	72	AQRM304	2000101118	75, 76, 77, 78, 103
ANMX450	2000071857	67	AQRM460	2000065995	224, 239
ANMX460	2000102710	66, 341	AQRM464	2000100071	224, 239
ANMX461	2000102711	66	AQRM550	2000100076	228
ANMX462	2000102712	66, 341	AQRM551	2000100082	228
ANMX500	2000056724	66	AQRM552	2000100083	228
ANMX501	2000056774	66	AQRM553C	2000101061	229
ANMX502	2030029755	66	AQRM554C	2000103712	229
ANMX600	2000100022	66	AQRM559	2000066508	228
ANMX601	2000100023	66	AQRM706	2000100899	202
ANMX-BT	213.0654.086	75, 76, 77, 78, 103	AQRM707	2000100900	202
ANMX-BU	213.0654.085	75, 76, 77, 78, 103	AQRM900	2000101451	155, 345
ANMX-S1	213.0651.921	77	AQRM905	2000100805	60
ANMX-S2	213.0651.922	76	AQRM906	2000100806	60
AQFU0216	2030064892	51	AQRM907	2000100809	60
AQFU0217	2030064895	51	AQRM908	2000101048	60
AQFU0218	2030064897	51	AQRM909	2000101463	42, 61, 336
AQFU0219	2030064898	51	AQRM913	2000101435	224, 239
AQFU0220	2030064899	51	AQRM914	2000101436	224
AQFU0221	2030064904	51	AQRM916	2000101438	224
AQFU0222	2030064903	51	AQRM917	2000101439	224
AQFU0223	2030064907	51	AQRM918	2000101440	224
AQFU0224	2030064912	51	AQRM920	2000101466	229, 230, 353
AQFU0225	2030064917	51	AQRM924	2000104396	419
AQFU0226	2030064918	52	AQRM927	2000105638	155
AQFU0227	2030064919	52	AQRM928	2000101441	207
AQFU0228	2030064920	52	AQRM940	2000101429	78
AQFU0229	2030064921	52	AQRM967	2000101454	155
AQFU0230	2030064965	52	AQUA121	2000101449	342
AQFU0231	2030064966	52	AQUA130	2000067773	49
AQFU0232	2030064967	52	AQUA131	2000067774	48
AQFU0233	2030064969	52	AQUA134	2000102693	50
AQFU0234	2030064971	52	AQUA135	2000102697	49
AQFU0235	2030064973	53	AQUA422N	3600002630	228
AQFU0236	2030064974	53	AQUA555	2000067493	232, 247, 248
AQFU0237	2030064977	53	AQUA557	2000067429	232, 247, 248
AQFU0238	2030064979	53	AQUA751	2000065932	201
AQFU0239	2030064984	53	AQUA757	2000103757	201
AQFU0240	2030064986	53	AQUA800	2000100340	199
AQFU0241	2030064987	53	AQUA801	2000100342	199
AQFU0242	2030064988	53	AQUA802	2000100418	199
AQFU0243	2030064992	53	AQUA803	2000100419	199
AQFX0001	2030020123	225, 244	ARTW410	2000056770	319
AQFX0002	2000110549	225, 244	ASEX1031	2030068573	208, 235
AQFX0003	2030019966	246, 248, 249	ASLM2004	2030042712	419

Type index

Type	Item Number	Page
ASSM1001	2030046146	417
ASSM9001	2030046185	417
ASSV1005	2030049138	418
ASSX1010	3600005964	418
ASSX9001	2030046145	417
ASXT2002	2030061611	419
ASXX1008	2030041424	61
ASXX1042	2030071309	113, 114, 117
AT3O0051	2030021142	233, 247, 248
AT99-102	2030039046	130
AT99-103	2030039048	130

B

BF22HD	2000101366	299, 364, 365
BS204	2000090016	70
BS204-M	2000103078	70
BS205	2000090017	70
BS205-M	2000103080	70
BS206	2000058442	70
BS300N	207.0599.542	373
BS301N	207.0599.545	373
BS302	207.0000.057	373
BS303	2000090080	373
BS304	2000100939	373
BS311N	2030045749	369
BS312N	2030045750	369
BS313N	2030045753	368
BS314N	2030045754	368
BS315N	2030045755	368
BS323N	2030045756	369
BS324N	2030045757	369
BS330	207.0483.167	372
BS332	2000100077	372
BS333	2000100078	372
BS340	2000057989	372
BS351	2000100062	371
BS352	2000100063	371
BS353	2000100064	371
BS354	2000056824	371
BS646	2000056910	298
BS648	2000057041	298
BS677	2000057045	275, 300
BS686	2000057078	301
BXSV6	2000056952	83
BXSV10	2000056944	83
BXSV12	2000056946	83
BXSV14	2000056948	83
BXSV16	2030046197	83
BXSV18	2000056950	83
BXSV21	2000056951	83
BXSV24	2000100088	83
BXSV30	2030046195	83

Type	Item Number	Page
C		
C20132W	3600005239	376
C20133W	3600005240	376
C20136L	2000100326	377
C20136R	2000100327	377
C20137N	2000100324	377
C20150W	3600005241	376
CA210-2N	2030045758	368
CA210-7N	2030045759	368
CAMB10HP	2030057691	303
CAMB11HS	2030057693	303
CAMB20VP	2030057694	303
CAMB22VS	2030057695	303
CHRH401	2000056953	302
CHRH501	2000056955	302
CHRH601	2000056956	302
CHRX607	2000057137	297
CHRX608	2000057138	297
CHRX644	2000100804	298
CHRX669	2000060983	301
CHRX670	2000057141	301
CHRX675	2000057143	300
CHRX676N	2030028851	300
CHRX679	2000057146	300
CHRX690	2000057150	299
CMEDC05P	3600003360	129
CMEDC05T	3600003362	129
CMEDC10P	3600003361	129
CMEDC10T	3600003363	129
CMPX136	2030020069	245
CMPX137	2030020070	245
CMPX150	2030020067	136
CMPX151	2030019961	137
CMPX152	2030019897	136
CMPX401N	2030068013	203
CMPX403	2000090029	130
CMPX404N	2030068014	203
CMPX502N	2030018490	241
CMPX503N	2030023692	241
CMPX504	2000102732	241
CMPX538	2000071872	238
CMPX538E	2000100769	239
CMPX538RS	2000103380	238
CMPX538WF	205.0000.057	238
CMPX539	2030066247	238
CMPX551GE	2030020113	239
CMPX552GE	2030020114	239
CMPX553GE	2030020115	239
CMPX554GE	2030020116	239
CMPX555GE	2030020117	239
CMPX560	2000056972	239
CMPX592	2000100133	240
CMPX592BN	3600000629	240

Type index

Type	Item Number	Page	Type	Item Number	Page
CMPX592GN	3600000650	240	E		
CMPX592S	2000100134	240	EACCS055	2000103333	252, 281
CMPX592WN	3600000651	240	EACCS057	2000103334	265, 269
CMPX594	2000100147	240	EANMX002	2000103407	74
CMPX594BN	3600000652	240	EAQFT0002	2030008760	417
CMPX594GN	3600000653	240	EAQFT0007	2030017123	417
CMPX594S	2000100148	240	EAQFU0001	2030003033	144, 149, 152, 184, 186, 188, 190, 192
CMPX594WN	3600000654	240	EAQLN0001	2000104374	420
CMPX597	2000100153	240	EAQLN0002	2000104375	416
CMPX597BN	3600000655	240	EAQLN0004	2000104394	420
CMPX597GN	3600000656	240	EAQLN0005	2000104403	417
CMPX597S	2000100154	240	EAQM0001	2000104377	416
CMPX597WN	3600000657	240	E-BS602E	2000101106	297
CNTX007	2030021878	332	ECAMB001	2030057745	303
CNTX20WL	2030038220	328	ECMPX018	2000103391	203
CNTX20WR	2030038221	328	EDRYX503	2030037355	320
CNTX21W	2030038226	328	EFITG0007	2000104398	421
CNTX22WL	2030038223	328	EFLSY0002	2000104380	419
CNTX22WR	2030038225	328	EFLSY0004	2000104384	420
CNTX50WL	2030038227	329	EFLSY0005	2000104389	420
CNTX50WR	2030038228	329	EFLSY0016	2000104418	421
CNTX52W	2030036235	329	EFLSY0036	2000105612	420
CNTX70C	2000057751	330	E-REDUKTION	2000101362	74
CNTX70D	2000057752	330	ERNDX003	2000103551	74
CNTX70E	2000057753	330	E-RNDX-SIPHON	2000101371	74
CNTX73A	2000103669	330	E-RODX605N	2030022424	286, 290, 291
CNTX73B	2000103670	330	E-RODX607	2000101350	287
CNTX91	2000057509	333	ESHHE0002	2000104783	160, 162, 163, 165, 166, 169, 170, 171, 172, 173, 176, 177, 179, 180, 181, 183, 184, 185, 188, 189, 190, 191, 200, 201, 202, 347, 348, 349, 350, 351
CNTX268	2030038268	332	ESHHE0004	2030027586	160, 162, 163, 165, 166, 169, 170, 171, 172, 173, 176, 177, 179, 180, 181, 183, 184, 185, 188, 189, 190, 191, 200, 201, 202, 347, 348, 349, 350, 351
CNTX300W	2030033995	327	ESHOW0001	2000104352	418
CNTX400A	2000057738	331	ESHOW0002	2000104353	418
CNTX400WB	2030041144	331	ESHOW0003	2000104354	418
CNTX450W	2030033978	327	ESHOW0006	2000104373	418
CNTX600W	2030032985	327	ESHOW0065	2030050499	419
CNTX700WA	2030037502	327	ESIRW810	2000101110	383
CNTX750W	2030033997	327	ESIRX0036	2000105276	375
CNTX900W	2030033990	327	E-STRX680	2000100018	276
CNTX1050W	2030034502	327	E-STRX687	2000100020	276, 293
CNTX1100W	2030033994	327	ETAPS0001	2000104372	416
CUBX001HP	2000106345	312	ETAPS0002	2000104357	416
CUBX002HP	2000106347	312			
CUBX004HP	2000106351	312			
CUBX005HP	2000106353	313			
CUBX006HP	2000106355	314			
CUBX007HP	2000106357	314			
CUBX010HP	2000106359	314			
CUBX012HP	2000106361	312			
CUBX111HP	2000106363	313			
CUBX211HP	2000106365	313			
D					
DRYX600	2030069907	320			

Type index

Type	Item Number	Page	Type	Item Number	Page
ETAPS0003	2000104376	416	EXOS637W	2030025233	256
ETAPS0007	2000104387	417	EXOS637X	2030022950	256
ETAPS0008	2000104388	417	EXOS670X	2030028245	261
ETAPS0013	2000104402	416	EXOS675X	2030031170	261
E-XINH VALVE	2000101365	74	EXOS676B	2030034645	260
E-XINH-VALVE-SS	2000101361	74	EXOS676EB	2030034644	260
EXINX616FP	2030058766	254, 264, 281	EXOS676EW	2030034669	260
EXOS0027	2030036621	233, 247, 248	EXOS676EX	2030034642	260
EXOS220B	2030034622	256, 318	EXOS676W	2030034670	260
EXOS220W	2030034660	256, 318	EXOS676X	2030033180	260
EXOS220X	2030027981	256, 318	EXOS687X	2030027995	261
EXOS600B	2030022934	257	F		
EXOS600EB	2030034625	257	F3BF4001	2030068205	229, 230, 231, 353
EXOS600EW	2030034662	257	F3BV1001	2030036142	338
EXOS600EX	2030034624	257	F3BV2001	2030040069	155, 159
EXOS600W	2030025229	257	F3BX2001	2030036141	157, 158, 159
EXOS600X	2030022933	257	F3EF3001	2030072417	224
EXOS602EB	2030034627	260	F3EM1001	2030033388	46
EXOS602EW	2030034663	260	F3EM1002	2030033389	46
EXOS602EX	2030034626	260	F3EM1003	2030033545	47
EXOS605B	2030022929	258	F3EM1005	2030039469	47
EXOS605EB	2030034629	258	F3EM1006	2030039470	46
EXOS605EW	2030034664	258	F3EM1007	2030039471	46
EXOS605EX	2030034628	258	F3EM1008	2030039472	47
EXOS605W	2030025228	258	F3EM1009	2030039473	47
EXOS605X	2030022928	258	F3ET2004	2030067170	158
EXOS611B	2030030108	259	F3EV1001	2030033385	44
EXOS611EB	2030034631	259	F3EV1002	2030033387	44
EXOS611EW	2030034665	259	F3EV1003	2030033544	45
EXOS611EX	2030034630	259	F3EV1004	2030036177	45
EXOS611W	2030030111	259	F3EV1005	2030039459	45
EXOS611X	2030028001	259	F3EV1006	2030039462	44
EXOS616B	2030022946	254	F3EV1007	2030039463	44
EXOS616EB	2030034636	254	F3EV1008	2030039464	45
EXOS616EW	2030034666	254	F3EV1009	2030039465	45
EXOS616EX	2030034634	254	F3EV1022	2030040224	45
EXOS616W	2030025232	254	F3SF4001	2030068191	352
EXOS616X	2030022945	254	F3SF4002	2030068201	246, 353
EXOS618B	2030022940	253	F3SF4003	3600005979	229, 246
EXOS618EB	2030034638	253	F3SM1002	2030036195	43
EXOS618EW	2030034667	253	F3SM1003	2030036196	43
EXOS618EX	2030034637	253	F3SM1004	2030036197	43
EXOS618W	2030025230	253	F3SM1005	2030039562	43
EXOS618X	2030022939	253	F3SM1006	2030040037	43
EXOS625B	2030022943	252	F3SM1007	2030040038	43
EXOS625EB	2030034641	252	F3SM1008	2030049136	43
EXOS625EW	2030034668	252	F3SM1101	3600001425	43
EXOS625EX	2030034639	252	F3SM2001	2030036198	156
EXOS625W	2030025231	252	F3SM2002	2030036202	156
EXOS625X	2030022942	252	F3SM2004	2030040074	157
EXOS627X	2030062512	255	F3SV1003	2030048760	42
EXOS629X	2030062588	255	F3SV1004	2030049135	42
EXOS637B	2030022951	256	F3SV1005	2030049137	42

Type index

Type	Item Number	Page	Type	Item Number	Page
F3SV1009	2030067876	337	F5EM1001	2030027923	26
F3SV1010	2030067885	338	F5EM1002	2030035328	26
F3SV1011	2030072636	336	F5EM1003	2030035329	27
F3SV1101	3600001423	42	F5EM1004	2030036159	27
F3SV1102	3600001424	42	F5EM1005	2030031350	28
F3SV2001	2030034414	154	F5EM1006	2030035332	28
F3SV2002	2030034415	154	F5EM1007	2030039427	26
F3SV2003	2030034416	155	F5EM1008	2030039431	26
F3SV2004	2030037525	154	F5EM1009	2030039432	27
F3SV2005	2030040072	155	F5EM1010	2030039434	27
F3SV2009	2030053188	155	F5EM1015	2030058995	51, 52, 53, 54
F3SV2010	2030068165	344	F5ET1013	2030038681	30
F3SV2011	2030068215	345	F5ET1014	2030038682	30
F3SV2012	2030070435	350	F5ET1015	2030038683	30
F3SV2014	3600006748	196	F5ET1101	3600004009	29
F3SV2015	3600007158	194	F5ET1102	3600004010	29
F3SV2016	3600007159	195	F5ET1103	3600004011	29
F4ET1001	2030072424	114	F5ET1116	3600008354	29
F4ET1002	2030072425	114	F5ET1117	3600008356	29
F4LT1002	2030066749	116	F5ET1118	3600008357	29
F4LT1003	2030067801	116	F5ET2001	2030032990	146
F4LT1005	2030066753	117	F5ET2007	2030039547	146
F4LT1008	2030068119	116	F5ET2020	2030054250	177
F4LT1009	2030068120	116	F5ET2021	2030056562	178
F4LT1010	2030072403	112	F5ET2024	2030056563	180
F4LT1011	2030072405	112	F5ET2025	2030056573	182
F4LT1015	2030072404	112	F5ET2026	2030056574	181
F4LT1016	2030072406	112	F5ET2031	2030067151	149
F4LT1024	2030072407	113	F5ET2040	2030071563	148
F4LT1025	2030072408	113	F5ET2041	2030070431	349
F4LT2003	2030066757	117	F5ET2049	2030062971	179
F4MT2001	3600000189	115	F5ET2050	2030062975	183
F5BV2002	2030055925	148, 155, 345, 346	F5ET2103	3600004013	147
F5BX1001	2030028992	30, 31	F5ET2108	3600008373	147
F5BX2001	2030028990	141, 144, 145, 148, 149, 152, 153, 157, 158, 345, 346	F5EV1001	2030027922	24
F5DR2001	2030050305	321	F5EV1002	2030035330	24
F5DR2002	2030052323	321	F5EV1003	2030035331	25
F5DR2003	2030052324	321	F5EV1004	2030036158	25
F5DR2004	2030052327	321	F5EV1005	2030039435	24
F5DR2005	2030052328	321	F5EV1006	2030039436	24
F5EF3002	2030062317	225	F5EV1007	2030039437	25
F5EF3008	2030067530	226	F5EV1008	2030039438	25
F5EF3009	2030067531	226	F5EV1013	2030062315	31
F5EF3010	2030067743	225, 244	F5EV1016	2030067882	337
F5EF4002	2030062326	231	F5EV1017	2030067880	338
F5EF4003	2030068176	354	F5EV2002	2030062328	149
F5EF4004	2030068198	352	F5EV2005	2030067748	148
F5EF4005	2030068203	246, 353	F5EV2006	2030068173	344
F5EF4006	2030068182	354	F5EV2007	2030068174	345
F5EF4007	3600005635	230, 246	F5EV2008	2030070434	348
F5EF4008	3600000383	230, 246	F5LM1033	2030066466	36
			F5LM1034	2030066467	36
			F5LM1035	2030066468	36

Type index

Type	Item Number	Page	Type	Item Number	Page
F5LME001	2030061048	39	F5SM2025	2030056550	164
F5LME002	2030061065	40	F5SM2026	2030056552	163
F5LME005	3600008404	41	F5ST1101	3600008675	23
F5LT1001	2030066480	32	F5ST1102	3600008676	23
F5LT1002	2030066481	32	F5ST1103	3600008677	23
F5LT1003	2030066482	33	F5ST1104	3600008409	22
F5LT1010	2030066301	33	F5ST1105	3600008420	22
F5LT1011	2030066489	33	F5ST1106	3600008421	22
F5LT1033	2030065268	51, 52, 53, 55	F5ST2020	2030055929	165
F5LT1104	3600003855	35	F5ST2021	2030056539	167
F5LT1105	3600003854	35	F5ST2022	2030056541	166
F5LT1106	3600003856	35	F5ST2023	2030056542	168
F5LT1112	3600003809	34	F5ST2024	2030056543	170
F5LT1113	3600003807	34	F5ST2025	2030056544	174
F5LT1114	3600003852	34	F5ST2026	2030054253	172
F5LT2005	2030066500	153	F5ST2027	2030056545	171
F5LT2007	2030066501	152	F5ST2028	2030056546	175
F5LT2020	2030066509	184	F5ST2029	2030056547	173
F5LT2021	2030066510	186	F5ST2032	2030067154	145
F5LT2022	2030066541	185	F5ST2034	2030067158	145
F5LT2023	2030066542	187	F5ST2036	2030067163	145
F5LT2024	2030066543	188	F5ST2037	2030067164	144
F5LT2025	2030066544	192	F5ST2039	2030067167	145
F5LT2026	2030066546	190	F5ST2043	2030068003	347
F5LT2027	2030066547	189	F5ST2046	3600004618	169
F5LT2028	2030066548	193	F5ST2047	2030067188	176
F5LT2029	2030066549	191	F5ST2101	3600008672	142
F5LT2101	3600003859	151	F5ST2102	3600008673	142
F5LT2103	3600003860	151	F5ST2103	3600008674	143
F5LT2104	3600003857	150	F5ST2109	3600008422	141
F5LT2112	3600003858	150	F5ST2111	3600008423	142
F5SM1001	2030036163	21	F5SV1001	2030036165	21
F5SM1003	2030032991	22	F5SV1002	2030039426	21
F5SM1004	2030032992	22	F7EM1001	3600001257	19
F5SM1005	2030032993	22	F7EM1002	3600001259	20
F5SM1006	2030039396	21	F7EV1001	3600001255	17
F5SM1008	2030040314	22	F7EV1002	3600001258	18
F5SM1009	2030040316	22	F831	2000057029	373
F5SM1010	2030040317	22	F832V	2000100061	133, 378
F5SM1011	2030058991	51, 52, 53, 54	F832V-F	2000057046	133, 378
F5SM1012	2030071618	336	F2119	203.0000.297	376, 377
F5SM2001	2030032998	140	FAID0001	2030018810	409
F5SM2002	2030036685	140	FAID0002	2030018821	410
F5SM2003	2030036686	140	FAID0003	2030019025	404
F5SM2004	2030029012	141	FAID0004	2030019057	404
F5SM2005	2030036693	141	FAID0005	2030019066	405
F5SM2013	2030072468	345	FAID0006	2030019084	406
F5SM2014	2030056581	160	FAID0007	2030019170	406
F5SM2015	2030056584	162	FAID0008	2030019175	407
F5SM2016	2030056588	163	FAID0009	2030019182	407
F5SM2020	2030054248	160	FAID0010	2030019212	408
F5SM2021	2030056548	161	FAID0011	2030019221	408
F5SM2024	2030056549	162	FAID100	2000101100	402

Type index

Type	Item Number	Page	Type	Item Number	Page
FAID101	2000101101	402	HDTX673E	2000102704	364
FAID103	2000101102	403	HDTX674	2000057081	363
FAID108	2000101103	403	HDTX675E	2000103188	363
FAID675	2000101127	409	HDTX691	2030022465	364
FAID676	2000101128	409	HDTX692	2000090046	364
FAID677	2000101129	409	HDTX693	2000090047	364
FAID903	2000101153	411	HDTX805L	2000100953	358
FAID904	2000101152	411	HDTX805M	2000100954	358
FH70P	2030072378	257, 260, 267, 269, 272, 283, 284, 285, 290, 291, 362	HDTX805R	2000100955	358
FIRX001HP	2000106265	309	HDTX806L	2000100956	360
FIRX002HP	2000106267	309	HDTX806M	2000100957	360
FIRX004HP	2000106271	309	HDTX806R	2000100958	360
FIRX005HP	2000106273	311	HDTX815L	2000100965	359
FIRX006HP	2000106275	310	HDTX815M	2000100966	359
FIRX010HP	2000106279	310	HDTX815R	2000100967	359
FIRX012HP	2000106281	309	HDTX816L	2000100968	361
FIRX104HP	2000106283	310	HDTX816M	2000100969	361
FIRX107HP	2000106285	310	HDTX816R	2000100970	361
FIRX0110HP	2000106287	311	HWTE0001	2030062338	128
FIRX111HP	2000106289	311	L		
FIRX211HP	2000106293	311	LP20	2000100059	73
FLSY0003	2030066229	354	LP21	2000057084	73
FRK10233	2030016320	299	LTJ450	2000057085	370
FXCD1001M	2030063219	58	LTJ500	2000057087	370
FXCT1001M	2030065018	59	M		
G			M501HD	2000103195	302, 333, 365
GLX2020	2030062801	252, 255, 265, 266, 281, 282	MAXB600	2000057092	392, 393, 394, 395
H			MAXB700	2000057094	396, 397, 398
HB140P	2030058765	276, 288, 289	MAXF60-60	2000057122	392
HBD191	2000057080	275	MAXF70-60	2000057124	392
HBD191BP	2030058764	275, 288, 289, 293	MAXF70-70	2000057126	396
HDTX0001	2030005623	362	MAXF120-60	2000057101	393
HDTX0010	2030019878	302	MAXF120-70	2000057104	396
HDTX0011	2030019884	302	MAXF140-60	2000057106	394
HDTX0012	2030019886	302	MAXF140-70	2000057108	397
HDTX0013	2030020885	365	MAXF160-60	2000057112	394
HDTX0014	2030020886	365	MAXF200-60	2000057114	395
HDTX0015	2030020887	365	MAXF200-70	2000057117	397
HDTX0020	2000108112	358	MAXF260-60	2000057118	395
HDTX0021	2000108113	358	MAXF260-70	2000057120	398
HDTX0022	2030005341	358	MAXL100-70	2000057144	396
HDTX450	2000100349	340	MAXL112-140	2000057159	397
HDTX455	2000100058	340	MAXL117-140	2000057556	397
HDTX504	2000108804	357	MAXL140-70FDW	2000057560	399
HDTX538	2000101023	357	MAXL200-120	2000057561	396
HDTX538RS	2000103385	357	MAXL212-200	2000057584	397
HDTX592	2000100447	355	MAXL217-200	2000057586	397
HDTX594	2000100444	355	MAXL227-260	2000057613	398
HDTX597	2000100729	355	MAXS100-60	2000057616	392
HDTX644	2000103076	299, 364	MAXS100-70	2000057639	392
			MAXS112-120	2000057641	393
			MAXS112-140	2000057662	394
			MAXS117-120	2000057698	393

Type index

Type	Item Number	Page
MAXS117-140	2000057700	394
MAXS200-120	2000057702	393
MAXS212-160	2000057704	394
MAXS212-200	2000057706	395
MAXS217-160	2000057708	394
MAXS217-200	2000057710	395
MAXS222-260	2000057712	395
MAXS227-260	2000057714	395
MAXT60-60	2000057763	392
MAXT70-60	2000100003	392
MAXT70-70	2000100002	396
MAXT120-60	2000057716	393
MAXT120-70	2000057755	396
MAXT140-60	2000057756	394
MAXT140-70	2000057757	397
MAXT160-60	2000057758	394
MAXT200-60	2000057759	395
MAXT200-70	2000057760	397
MAXT260-60	2000057761	395
MAXT260-70	2000100004	398
MEDC0001	3600003768	324
MEDC0002	3600003769	324
MEDC0003	3600003770	324
MEDC0004	3600003771	324
MEDC0005	3600003772	325
MEDC05L	3600003339	129
MEDC05S	3600003340	129
MEDC0006	3600003774	325
MEDC0007	3600003775	324
MEDC0008	3600003776	324
MEDC0009	3600003778	326
MEDC0010	3600003780	326
MEDC10L	3600003341	129
MEDC10S	3600003343	129
MEDC0011	3600003781	326
MEDC0012	3600003782	326
MEDC0013	3600003783	325
MEDC0014	3600003784	325
MEDC0015	3600003785	325
MEDX001HP	2000106243	306
MEDX002HP	2000106245	306
MEDX004HP	2000106247	306
MEDX005HP	2000106249	308
MEDX006HP	2000106251	307
MEDX007HP	2000106253	307
MEDX010HP	2000106255	307
MEDX012HP	2000106257	306
MEDX104HP	2000106385	307
MEDX0110HP	2000106261	308
MEDX111HP	2000106263	308
MISX0009HP	2000106381	315
MISX2009HP	2000106380	315

Type	Item Number	Page
P		
PL6	2030043777	81
PL6SB	2030043805	82
PL6T	2030043784	81
PL6UEM	3600004041	80
PL6UEV	3600004027	80
PL6USV	3600004023	79
PL8	2030043778	81
PL8SB	2030043806	82
PL8T	2030043785	81
PL10	2030046721	81
PL10SB	2030053706	82
PL10T	2030052439	81
PL12	2030043779	81
PL12SB	2030043807	82
PL12T	2030043786	81
PL12UEM	3600004043	80
PL12UEV	3600004028	80
PL12USV	3600004024	79
PL14	2030046728	81
PL14SB	2030049941	82
PL14T	2030046737	81
PL16	2030043780	81
PL16SB	2030043808	82
PL16T	2030043787	81
PL18	2030043781	81
PL18SB	2030043809	82
PL18SU	2030043812	82
PL18T	2030043788	81
PL18UEM	3600004044	80
PL18UEV	3600004029	80
PL18USV	3600004025	79
PL21	2030046734	81
PL21SB	2030054630	82
PL21T	2030046739	81
PL24	2030043782	81
PL24SB	2030043810	82
PL24T	2030043789	81
PL24UEM	3600004045	80
PL24UEV	3600004040	80
PL24USV	3600004026	79
PL28	2030046736	81
PL30	2030043783	81
PL30SB	2030043811	82
PL30T	2030043790	81
PREL214	2000100787	84
PREL321	2000100789	84
PRES212	2000100790	84
PRES216	2030017823	84
PRES318	2000100791	84
PRES324	2030022472	84
PRTRS0009	2030025078	50
PRTRS0011	2030025088	48

Type index

Type	Item Number	Page	Type	Item Number	Page
PURE0025	2000111051	207	SANW200	2000103056	104
PURE0026	2000111052	207	SANW205	2000103057	105
PURE0027	2000111053	207	SANW211	2000103058	105
PURE0031	2030012758	63	SANW212	2000103059	105
PWC3O0002	2030048572	343	SANW215	2000106654	104
R			SANW1200	2030057405	107
RH320	2000057717	363	SANW1400	2030057406	107
RODX191	2000101218	288, 289, 293	SANW1600	2030057407	107
RODX310	2000090055	283, 319	SANW1800	2030057408	107
RODX600	2000090056	283	SANW2100	2030057409	107
RODX600E	2000090057	283	SANW2400	2030057410	107
RODX600ME	2000090058	284	SB400	2000100065	68, 69, 71
RODX600TT	2000102672	284	SB450	2000100338	70, 71, 73
RODX601	2000101221	285	SB500	2000100066	68, 69, 71
RODX602	2000090059	290	SB600	2000100067	68, 69, 71
RODX602E	2000090060	290	SD80	2000056721	296
RODX604	2000101345	285	SD99-009	2030039032	296
RODX604E	2000101347	285	SD99-010	2030039038	296
RODX605	2000090061	286	SD99-012	2030054679	296
RODX605E	2000090062	286	SD99-013	2030054678	296
RODX605EE	2000101344	286	SD110	2000102699	296
RODX605S	2000101236	286	SD300	2000057729	362
RODX605SL	2000103806	288	SHAC0008	2030021283	200
RODX605TTH	2030064649	287	SHAC0011	2030054254	160, 162, 163, 165, 166, 169, 170, 171, 172, 173, 176, 177, 179, 180, 181, 183, 184, 185, 188, 189, 190, 191, 204, 347, 348, 349, 350, 351
RODX606	2000101346	285	SHAC0013	2030055724	200
RODX607	2000101351	287	SHAS0011	2030054255	160, 162, 163, 165, 166, 169, 170, 171, 172, 173, 176, 177, 179, 180, 181, 183, 184, 185, 188, 189, 190, 191, 204, 347, 348, 349, 350, 351
RODX607TT	2000101212	287	SHHE0004	2030034417	202
RODX608	2000101357	287	SHMU0011	2030054793	160, 162, 163, 165, 166, 169, 170, 171, 172, 173, 176, 177, 179, 180, 181, 183, 184, 185, 188, 189, 190, 191, 204, 347, 348, 349, 350, 351
RODX611	2000090063	289	SHMU0012	2030055723	202
RODX612	2000101358	288	SIRB711	2000101085	389
RODX612E	2000101359	289	SIRB712	2000101084	389
RODX616	2000101222	281	SIRB714	2000101080	389
RODX617	2000101219	291	SIRB715	2000101083	389
RODX617E	2000101220	291	SIRW24D	2000105177	103
RODX618	2000090067	280	SIRW380	2000103287	384
RODX618E	2000090066	281	SIRW384	2000103285	384
RODX619EN	3600009362	280	SIRW385	2000103286	384
RODX619N	3600009360	280	SIRW721A	2000102727	388
RODX625	2000090070	281			
RODX627H	2030062868	282			
RODX629	2030062579	282			
RODX630	2000090071	284			
RODX672	2000090072	292			
RODX672E	2000090073	292			
RODX674B	2030002104	292			
RODX677	2030066921	293			
RODX678	2030013026	292			
RODX687	2000100000	293			
S					
SANW0117	2000105049	107, 108			
SANW0118	2000104999	107, 108			
SANW0119	2030063270	107, 108			
SANW0120	2030063271	107, 108			

Type index

Type	Item Number	Page	Type	Item Number	Page
SIRW721B	2000102728	388	STRX611	2000057375	271
SIRW731A	2000102729	388	STRX611E	2000057376	272
SIRW731B	2000102730	388	STRX615	2000100014	276
SIRW759	2000102726	387	STRX616	2000100001	264
SIRW770	2000102720	385	STRX618	2000057379	264
SIRW771	2000102722	385	STRX619EN	3600009361	265
SIRW772	2000102721	385	STRX619N	3600009352	264
SIRW773	2000102723	385	STRX624	2000102701	277
SIRW774	2000102724	386	STRX625	2000057388	265
SIRW775	2000102725	386	STRX627	2030062519	266
SIRW810	2000101109	383	STRX629	2030062581	266
SIRW840	2000101335	387	STRX630	2000057390	269
SIRW841	2000101336	387	STRX635B	2030025051	268
SIRX342	207.0000.055	370	STRX637	2000110533	268
SIRX355	2000103647	374	STRX670	2000057394	274
SIRX356	2000103648	375	STRX671	2000057395	273
SIRX360	2000103649	374	STRX671E	2000057396	273
SIRX364	2000103260	375	STRX671L	2000057397	273
SIRX368	2000103269	375	STRX672	2000057399	274
SIRX370	2000101175	132, 379	STRX672E	2000057400	274
SIRX711C	2000100354	381	STRX673E	2000057422	275
SIRX721C	2000100355	381	STRX680	2000057401	276
SIRX731C	2000100356	381	STRX687	2000057403	276
SIRX741C	2000101549	381	STRX692	2000057979	277
SIRX751	2000100068	380	STRX694	2000057985	277
SIRX752	2000100357	380			
SIRX753	2000100359	380	T		
SIRX754	2000100360	380	TA500HD	2000102702	299, 365
SIRX755	2000100361	380	TA600HD	2000090054	299, 365
SIRX756	2000100362	380	TB60	2000101452	83
SIRX757	2000100363	381	TB80	2030046200	83
SIRX832	2000071907	133, 378	TD350	2000057407	362
SIRX835	2000071901	132, 379			
SIRX836	2000071902	132, 379	U		
SIRX837	2000103337	132, 379	U701V	2000100784	371
SIRX838	2000103301	132, 379	U702V	2000100785	371
SO1LP	2030058103	252, 253, 264, 265, 269, 280, 281, 285, 291, 296, 362	V		
SO10L	2000057168	252, 253, 264, 265, 269, 280, 281, 285, 291, 296, 362	VR01-018	2030042528	356
SOLX1200	203.0000.217	95	VR99-017	2030039303	356
SOLX1200T	203.0000.226	95	VR99-036	2030039327	356
SOLX1800	2030005465	95	VR99-081	2030053464	341
SOLX1800T	203.0000.238	95	VR99-086	2030053462	356
STRX220	2030027296	267, 318	W		
STRX600	2000057205	267	WB260WM	2030072330	70
STRX601	2000057209	269	WB440COP	2000100353	374
STRX602E	2000057227	272	WB500GV	2000057408	373
STRX605	2000057228	270	WSPL0017	2000107663	383
STRX607	2000057230	270, 271	WSPL0018	2000107664	383
STRX608	2000057231	271	WT310E	203.0499.146	67
			WT360C	203.0500.578	67
			WT400A	203.0500.577	69
			WT400A-M	2000103762	69
			WT400C	203.0499.147	68
			WT400C-M	2000103763	68

Type index

Type	Item Number	Page	Type	Item Number	Page
WT450	2000100365	70	ZAQUA030	2000101183	221
WT500A	203.0000.154	69	ZAQUA031	2000101509	221
WT500A-M	2000103764	69	ZAQUA032	2000101328	221
WT500C	203.0499.148	68	ZAQUA033	2000100914	202
WT500C-M	2000103094	68	ZAQUA073	2000101055	217, 218, 219, 220
WT600A	203.0000.155	69	ZAQUA075	2000100853	218
WT600A-M	2000103765	69	ZAQUA077	2000100801	217
WT600C	203.0500.572	68	ZAQUA078	2000100852	217
WT600C-M	2000103766	68	ZAQUA083	2000101448	342, 343
X			ZAQUA084	2000101054	31, 149, 225, 231
XINX140	2000057417	59, 74, 88, 89, 90, 92, 93, 94, 95	ZAQUA087	2000101160	61
Z			ZAQUA091	2000101087	48, 49, 50
ZA3OP0011	2000108123	216	ZAQUA093	2000102690	414
ZA3OP0021	2030002428	218	ZAQUA701	2000101467	200, 201, 202, 206
ZA3OP0022	2030016282	216	ZCMPX0001	2000102705	365
ZA3OP0027	2030030081	217	ZCMPX002	2000102733	132, 241, 357, 379
ZA3OP0034	2030068513	216	ZCMPX0002	2030020577	239
ZA3OP0035	2030069338	216	ZCMPX003	2000102734	132, 241, 357, 379
ZA3OP0036	2030072185	216	ZCMPX004	2000102731	241, 357
ZACCS0001	2030067925	59	ZCMPX005	2000104310	200, 201, 202
ZANMW0030	2030057337	59, 88, 89, 90, 93, 118, 119, 120, 121, 122, 123, 125	ZCMPX006	2000106019	31, 153, 159, 231, 338, 346, 353
ZANMW0031	2030057339	59, 88, 89, 90, 93, 125	ZCMPX0007	2030027502	241
ZANMW0050	3600001266	90, 125	ZCMPX0010	2000102739	228, 239
ZANMW900	2000100861	92, 93, 94, 95, 102, 126	ZCMPX0011	2030027861	241
ZANMW901	2000100854	92, 93, 94, 95, 102, 118, 119, 120, 121, 122, 123, 126, 127	ZCMPX0012	2030030368	241
ZANMW902	2000100932	92, 93, 94, 95	ZCMPX140	2000100867	136, 137, 244, 245, 246, 247, 248, 249
ZAQCT0002	2000109499	415	ZCMPX152-1	2000100941	136, 137
ZAQFU0001	2030021225	52, 53	ZCTRL0001	2000111145	208, 415
ZAQFU0002	2030021234	52, 53	ZFAID0001	2030018827	409, 410
ZAQRP001	2000100751	199	ZFAID0003	2030061050	404, 405, 406, 407, 408
ZAQUA002	2000101433	42, 336	ZFAID694	2000101156	410
ZAQUA003	2000101432	42	ZFAID700	2030060157	410
ZAQUA004	2000101108	200, 201	ZFITG0001	2000103570	414
ZAQUA006	2000100977	217	ZFITG0003	2000106127	414
ZAQUA007	2000100375	217	ZFITG0005	2000110478	414
ZAQUA011	2000104272	217	ZFITG0006	2000110479	414
ZAQUA012	2000104274	217	ZMEDC0001	3600003786	325
ZAQUA013	2000100857	218	ZPURE0003	2030021893	63
ZAQUA014	2000100847	217	ZSHOW0006	2000104916	207
ZAQUA015	2000100431	415	ZSIRW001	2000101470	388
ZAQUA016	2000100432	415	ZSIRW002	2000101471	388
ZAQUA017	2000100972	218	ZSIRW003	2000101473	388
ZAQUA020	2000100975	218	ZSIRX001	2000102678	368, 370, 372
ZAQUA021	2000100976	218	ZSIRX0040	2030047341	368
ZAQUA022	2000102675	208	ZSIRX0042	2030049575	368
ZAQUA026	2000101173	221	ZTAPS0004	2000107291	60
ZAQUA029	2000101182	220	ZTAPS0005	2000104778	22, 23, 29, 30, 33, 34, 35, 42, 43, 112, 116
			ZWSPL0023	2000105091	421
			ZWSPL0024	2000109019	421
			ZWSPL0025	2000110575	421

General terms and conditions KWC Aquarotter GmbH

The following General Terms and Conditions of Sale and Delivery (GTC) shall apply to the provision of all services by us to Customers who are not consumers (Section 13 of the German Civil Code (BGB)). Unless specified otherwise in these GTC, all statutory provisions shall apply.

All our offers and services are provided subject to these GTC. These GTC are an integral part of all contracts concluded with our Customers. They shall also apply to all future offerings and services, even if this is not expressly agreed again.

Our GTC shall apply exclusively. Deviating, adverse or supplementary business conditions specified by the Customer shall not apply, even if we do not expressly object to them.

I. Conclusion of Contract

1. Our offers are subject to change and are non-binding, unless they are expressly designated as binding.
2. Unless the contract is negotiated individually, a binding offer only comes into effect when the Customer places the order. In this case a contract will come into force only after we confirm the order (e.g. via fax or via EDI file) or declare acceptance by us in some other form.

II. Object of Performance

1. Our written order confirmation and any possibly individually negotiated contract are primordial for determining the content and scope of performance owed by us.
2. We reserve the right to modify the implementation of the object of performance ("goods") to bring it in line with state-of-the-art technology without prior communication, in so far as this does not significantly change the performance data of the goods overall and the Customer can be reasonably expected to accept the modification. In the case of such significant changes, the Customer will be notified in advance.

III. Place and Time of Performance

1. Unless expressly agreed otherwise in writing, performances will be provided ex our factory or warehouse. In the event that the Customer requires delivery of the goods to some other location ("dispatching purchase"), the delivery will take place at the risk and cost of the Customer in compliance with Section V Num. 3.
2. Prospective dates and deadlines of performance are non-binding, unless otherwise stated expressly and in writing.
3. Where the order confirmation expressly confirms the time of delivery -expressed in days or weeks - as being binding, the performance period shall begin only after all details for executing the order have been clarified.
4. Subject to the provisions in Section IX, we are not liable for any impossibility of performance or delay in performance, if and to the extent that this is caused by force majeure or other event unforeseeable at the time of conclusion of the contract, induced neither intentionally nor through gross negligence by us or our vicarious agents (e.g. operational disturbances of any kind, difficulties in the procurement of material or energy, transport delays, strikes, missing, incorrect or delayed delivery by our suppliers, etc.).

Where such events are only temporary, bindingly agreed performance deadlines will be extended by the period of the hindrance

plus a reasonable start-up period. We will notify the Customer immediately about any such hindering event.

Where such events considerably impede or render impossible the provision of the performances, and the impediment is not only of temporary duration, we are entitled to withdraw from the contract.

5. In the case of a dispatching purchase, the agreed performance dates and deadlines are the times and deadlines when the goods are handed over to the freight forwarder, carrier or other third party appointed to perform the transport.
6. If, in the case of a dispatching purchase, despite being notified that the goods are ready for dispatch, the dispatch of the goods is delayed at the request of the Customer or due to circumstances for which the Customer is responsible, we will charge the Customer for the resulting cost of storage of the goods, commencing with the month following the date of the notification of readiness onwards, these costs being no less than 0.25% of the net value of the goods per expired week of delay. The Customer has the right to provide evidence that no damage or only minor damage has been incurred.
7. We are entitled to make partial deliveries; however, we will show consideration to protect the legitimate interests of the Customer. In particular, partial deliveries will be made only if and insofar as it is reasonable for the Customer to accept these.

IV. Transfer of Risk

1. The risk of accidental loss and accidental deterioration of the goods is transferred to the Customer no later than when the goods are handed over, subject to Num. 2.
2. In the case of a dispatching purchase, in deviation from Num. 1, the risk is transferred when the goods are handed over to the freight forwarder, carrier or other third party appointed for performing the transport.
3. The transfer of risk is the same even if the Customer is in default of acceptance.

V. Prices and terms of payment

1. The prices apply to the scope of performance stated in our order confirmation.
2. Unless otherwise specified, all prices are understood to be in Euros, plus the respectively applicable value added tax and other statutory fees (duties, charges, etc.) ex. factory or store.
3. In the case of a sales shipment (refer to Section III Item 1), the customer shall bear the costs that arise for packaging and transporting the goods from the factory or warehouse. This also includes – in particular for deliveries outside of Germany – all additional costs associated with the delivery (e.g. customs duties, fees, etc.). The costs that are to be borne by the customer in accordance with this Item 3 shall be listed separately in the invoice.
4. Unless otherwise expressly agreed, for goods whose delivery is later than 4 months after conclusion of the contract, we reserve the right to make appropriate price adjustments due to changes in wages, materials and distribution costs.
5. Unless agreed otherwise, our invoices shall be paid within 30 days of receipt of the invoice, without any deductions.

General terms and conditions KWC Aquarotter GmbH

6. In the event that the Customer falls into arrears with a payment, he shall owe interest on arrears amounting to 9 percentage points above the respective base interest rate. In addition, the Customer shall pay to us a late-payment charge of €40.00. The assertion of higher interest rates and further damage due to the default remains unaffected.

7. If, upon conclusion of the contract, a significant deterioration in the financial circumstances of the Customer arises, and this jeopardises our claims against the Customer, we are entitled to make our deliveries or other services dependent on an advance payment or the provision of appropriate securities.

To this end, we will set the Customer a reasonable period of time within which he shall – step by step in turn for handing over the goods – by his choice either make advance payments of the amount owed by him or provide an appropriate security. If the Customer does not comply with this within the period stated, we shall be entitled to withdraw from the contract. Subject to the provisions in Section IX, in this case the Customer shall not be entitled to any claims for damages against us.

8. The Customer shall not set off counterclaims unless the counterclaims are uncontested or have been legally established.

VI. Takeback of goods

1. As a matter of principle, goods supplied by us will not be taken back, unless we are obliged to do so within the framework of the warranty or for some other legal grounds.

2. Where we nevertheless agree to do so in an individual case, subject to prior written agreement, processing costs of 30% of the value of goods plus any applicable VAT will be charged to the Customer. In this case the corresponding return shipment shall be packaged in standard commercial, non-contaminated packaging material and sent to us. Any necessary reworking and repackaging expenses will be charged separately. The Customer shall bear the cost and risk of the transport of the return shipment.

3. All custom-manufactured goods made specifically for the Customer shall in all cases be excluded from a voluntary takeback.

VII. Reservation of title

1. We retain title to the goods until all claims incurred at the time of conclusion of the contract have been fulfilled, regardless of the legal basis, as derived from the respective business relationship with the Customer. The goods as well as the products taking their place in accordance with numeral 3 a) are in this Section VII hereinafter individually as well as collectively referred to as "reserved goods".

2. The reserved goods shall not be pledged or assigned as a security by the Customer.

3. The Customer is entitled to resell the reserved goods during the ordinary course of business and/or to process them. In this case, the following provisions shall additionally apply:

a) The retention of title also extends in full value to the products derived from the processing, combination or mixing of the reserved goods. If the reserved goods are processed, such processing is carried out for us as manufacturers in our name and for our account. If the reserved goods are processed, mixed or combined with goods belonging to third parties, and their right of ownership to these goods remains in force, we shall acquire co-ownership of the resulting product in relation to the value of the reserved goods with respect to the co-used third-party objects.

The products produced in this way shall also be considered as reserved goods of ours.

b) The Customer now cedes to us by way of security the claims against third parties resulting from the resale of the reserved goods, to the amount of the value of the reserved goods – where co-ownership has been attained, according to the value of our share in the co-ownership.

c) Provided the Customer properly meets his payment obligations towards us, he is hereby authorised to collect in his own name the claims assigned to us for security.

Additionally, we also continue to remain entitled to collect the claims, however we will not collect them as long as the Customer properly complies with his payment obligations to us.

In the event that the Customer defaults on payment towards us, we shall be entitled to revoke the collection authorisation, to notify the Customer's buyers about such assignment, and to take back such reserved goods, or, if necessary, to request the assignment of the Customer's existing surrender claims against third parties. In this case, the Customer is obliged to, at our request, immediately disclose this assignment to his Customers, and to provide to us the information and documents necessary for collecting the assigned claims. The take-back of the reserved goods by us shall not constitute a withdrawal from the contract. The Customer shall bear the cost of transportation and other costs arising from the take-back of goods. Our right to withdraw from the contract due to the delay in payment remains unaffected in accordance with the statutory provisions.

4. In the case of seizures or other interventions by third parties, the Customer shall without delay notify the enforcing official or the third party of our property. At the same time, he will inform us about such access by law enforcement officials or third parties, to allow us to be able to enforce our property rights.

VIII. Rights of the Customer in the event deficient goods

1. If the goods are defective at the time of the passing of risk (Section IV), the deficiency will be eliminated by our factory's Customer service by way of rectification, unless, in accordance with the statutory provisions, we are entitled to refuse subsequent performance in exceptional cases.

The elimination of the defects by our factory's Customer service shall be affected at our discretion either by repair or by renewed supply of the goods.

If the subsequent performance is to be provided outside of the territory of the Federal Republic of Germany, it shall, at our discretion, be provided either through our factory's Customer service or by a partner company residing abroad and commissioned by us.

2. If the subsequent performance (in particular after a second unsuccessful attempt) is deemed to have failed, or we refuse subsequent performance in accordance with the statutory provisions, or if we for some other reason do not execute the subsequent performance within a reasonable period of time set us, the Customer has the right to withdraw from the contract or request a reduction in the purchase price. A withdrawal is excluded if the defect is insignificant.

General terms and conditions KWC Aquarotter GmbH

3. The rights of the Customer according to numerals 1 and 2 require that the following inspections and requirements to give notice of defects have been properly conducted:

The Customer shall examine the goods immediately after receiving them. Discernible defects shall be reported to us immediately. Otherwise the goods are considered approved with respect to discernible defects.

Where deficiencies not discernible upon delivery are discovered later, such notification must be immediately forwarded to us upon their detection. Otherwise the goods are considered approved with respect to this defect also.

This fictional approval does not apply to the deficiency if we have deceitfully failed to disclose it.

4. Subject to the provisions of Section IX, no liability is accepted for defects in the goods resulting from unsuitable or improper use, faulty assembly or commissioning by the Customer or third parties, natural wear and tear, faulty or negligent treatment, unsuitable operating materials, or chemical, electrochemical or electrical influences.
5. The period of limitation for warranty claims shall be two years. It shall commence on delivery of the goods.
6. Without prejudice to the provisions of Section IX, claims for damages by the Customer in conjunction with deficiencies in the supplied goods are excluded. The same applies to claims for reimbursement of expenses resulting to the Customer, except for expenses resulting from subsequent performance.

IX. Liability and compensation for damage

1. No matter what the legal basis, we shall be liable for damages only and insofar as we or our vicarious agents are guilty of intent or gross negligence. In the case of ordinary negligence, we shall only be liable for
 - a) Damage resulting from injury to life, body or health as well as
 - b) Losses resulting from a breach of essential contractual obligations (cardinal obligations whose fulfilment enables the proper implementation of the contract and on the observance of which the Customer therefore relies on and may rely); in this case, however, our liability is limited to the replacement of the foreseeable, typically occurring damage.
2. The above exclusion of liability shall not apply if and to the extent that we maliciously concealed a defect or have assumed a guarantee for the quality of the goods.
3. Our liability under the Product Liability Law remains unaffected.

X. Claims made against the Customer by a third party

1. If claims for subsequent performance are made against the Customer by his recipient because of a defect in the goods delivered by us, we must be notified of this in writing. The same applies if the Customer is notified by his recipient that the recipient's customer has claimed against the Customer's recipient for subsequent performance.
2. If the request for subsequent performance made by the Customer and/or his recipients is legitimate, and if the defect already existed at the time of the transfer of risk to our Customer (Section IV), the subsequent performance will be provided by our factory's customer service at our expense and in accordance with the provisions of Section VIII Num. 1.

3. If, in accordance with the legal provisions, the subsequent performance also includes removal and reassembly, this will also be performed by our factory's customer service at the end customer, or, in the case of a subsequent performance abroad, alternatively by a partner company commissioned by us and at our expense.

4. With regard to further claims of the Customer against us, the provisions in Sections VIII and IX shall apply.

XI. Special designs

Where we have agreed to produce goods in compliance with the specifications provided by the Customer, and these specifications deviate from our series products, the following additional provision applies:

1. Cancellation on the basis of Section 648 BGB is excluded.
2. A voluntary takeback of the goods (see Section VI) is excluded

XII. Notes in accordance with the Waste Electrical and Electronic Equipment law (German ElektroG, WEEE)

According to the Waste Electrical and Electronic Equipment Law (WEEE) owners of old equipment - as well as Customers of our electrical dispenser systems (soap/air/paper) and coin-activated switches - Customers shall waste-collect these separately from unsorted domestic waste.

Devices identified with the appropriate symbol for waste electrical and electronic equipment (crossed-out wheeled bin on wheels, see Appendix 3 of the WEEE), must therefore not be disposed of together with household waste. Furthermore, old batteries and accumulators, which are not enclosed by the old device, must be separated from the old device before being submitted to the waste collection centre.

We will accept the electrical dispenser systems (soap/air/paper) and coin-activated switches that are forwarded to our factory at

Parkstrasse 1-5, D-14974 Ludwigsfelde, (takeback centre)

free of charge, and will dispose of them accordingly, provided that they are transported/forwarded and submitted to the takeback centre at the expense of the owner of the old device.

Our registration number is: WEEE-REG.-No. DE 53851237..

XIII. Data Protection and Processing

1. Personal data is any information relating to an identified or identifiable natural person („Data Subject“) as defined in the applicable data protection law.
2. Personal data will be gathered, processed and used by KWC in compliance with the applicable data protection law and all of our employees, KWC Group companies and third party service providers who have access to personal data are obliged to respect the confidentiality of the personal data.
3. In the event that KWC is provided and receives personal data via Customer or a point of sale for such purpose describe above, KWC is an independent controller under applicable data protection law.
4. KWC collects personal data when customer submits it to us, through registration, completion of forms or e-mails, as part of an

General terms and conditions KWC Aquarotter GmbH

order for products or services, after-sale support for products or services, inquiries or requests about products being ordered and similar situations in which data subject has chosen to provide the information to KWC or via a point of sale to KWC.

5. Some personal data provided (name, address, phone number and email address) will be processed by KWC for marketing, advertising or promoting purposes. We assume that this is of mutual interest for our Customer and for the Data Subject to upkeep a good business relationship and the respective Data Subject can object to the processing of his/her data for this purpose at any time without giving reasons by contacting KWC.
6. Some of the personal data provided may be stored or processed in other jurisdictions, such as the United States, whose data protection laws may differ from this jurisdiction. In such cases, KWC ensures that appropriate protections are in place to require the data processor in that country to maintain protections on the personal data that are equivalent to those that apply in these countries where KWC is located.
7. Customer is obliged to inform any point of sale and its end-users that it complies with applicable data protection law and personal data will be processed by KWC according to the terms and limitation set forth in this Clause. Customer shall, without limitation, defend, hold harmless and indemnify KWC in the event of damage that is attributable to Customer's transferring of personal data or in breach of applicable data protection law.
8. Our full privacy statement can be found on our website: www.kwc-professional.com

XIV. Final provisions

1. The place of jurisdiction for all disputes arising from the business relationship between our Customers and ourselves is Potsdam. However, in deviation from this, we shall be entitled to take legal action against the Customer at his principal place of business. Mandatory statutory provisions concerning exclusive places of jurisdiction remain unaffected.
2. The laws of the Federal Republic of Germany shall apply exclusively. The application of Private International Law and the CISG (Convention on Contracts for the International Sale of Goods of 11.04.1980) is excluded.
3. In the case of translations of these General Terms and Conditions, solely the German version shall prevail.
4. Alterations of and additions to the contract including these General Terms and Conditions of Sale and Delivery must be made in writing to become effective. This also applies for the waiver of the written form requirement itself.
5. If individual provisions of these General Purchase Conditions should be or become partly or wholly invalid, this shall not affect the validity of the other provisions. In this case, the invalid provision shall, to the extent permitted by law, be replaced by such effective provisions, that comes closest to the initial economic purpose initially intended by the replaced provision. The same applies for any regulatory gaps in these General Terms and Conditions.

KWC Aquarotter GmbH

Status: January 2024

